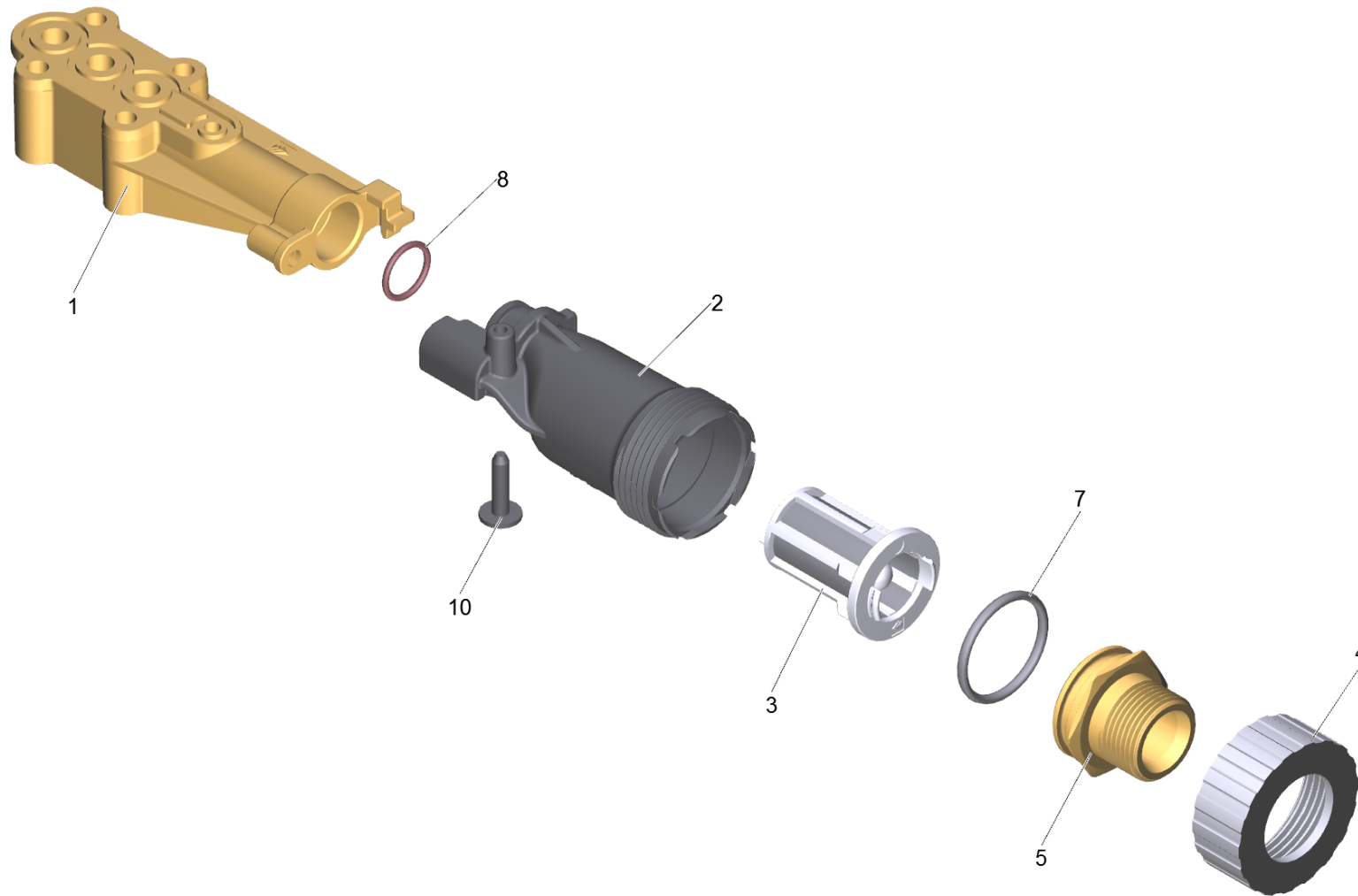


3 Water intake complete

Professional \ High pressure cleaner cold water \ Electric motor \ HD 7/17 M St *EU \ Spare parts list HD 7/17 P Modul \ Unit HD 7/17 M St \ Pump set HD 7/17 M *EU (D128) \ Cylinder head complete HD-M TK45 D14 \ Water intake



3 Water intake complete

Professional \ High pressure cleaner cold water \ Electric motor \ HD 7/17 M St *EU \ Spare parts list HD 7/17 P Modul \ Unit HD 7/17 M St \ Pump set HD 7/17 M *EU (D128) \ Cylinder head complete HD-M TK45 D14 \ Water intake

| POS | Article no. | Description | Quantity | Unit |
|-----|-------------|---------------------------------------|----------|------|
| 5 | 5.064-517.0 | Connection piece water intake G 3/4 A | 1.000 | ST |
| 3 | 5.731-059.0 | Filter cartridge with cone (mesh 100) | 1.000 | ST |
| 4 | 5.064-465.0 | Nut water intake | 1.000 | ST |
| 8 | 6.362-481.0 | O-Ring seal 14,0 x 2,0 NBR 80 | 1.000 | ST |
| 7 | 6.363-437.0 | O-Ring seal 30x3 | 1.000 | ST |
| 10 | 6.303-125.0 | Screw 5x20-Sonder In6Rd+Spitze | 1.000 | ST |
| 1 | 5.064-230.0 | Suction cover | 1.000 | ST |
| 2 | 5.045-049.0 | Water intake cranked | 1.000 | ST |