

Spare parts list

(1.633-447.0) WV 5 Plus N Non Stop Cleaning Kit *EU

Table of contents

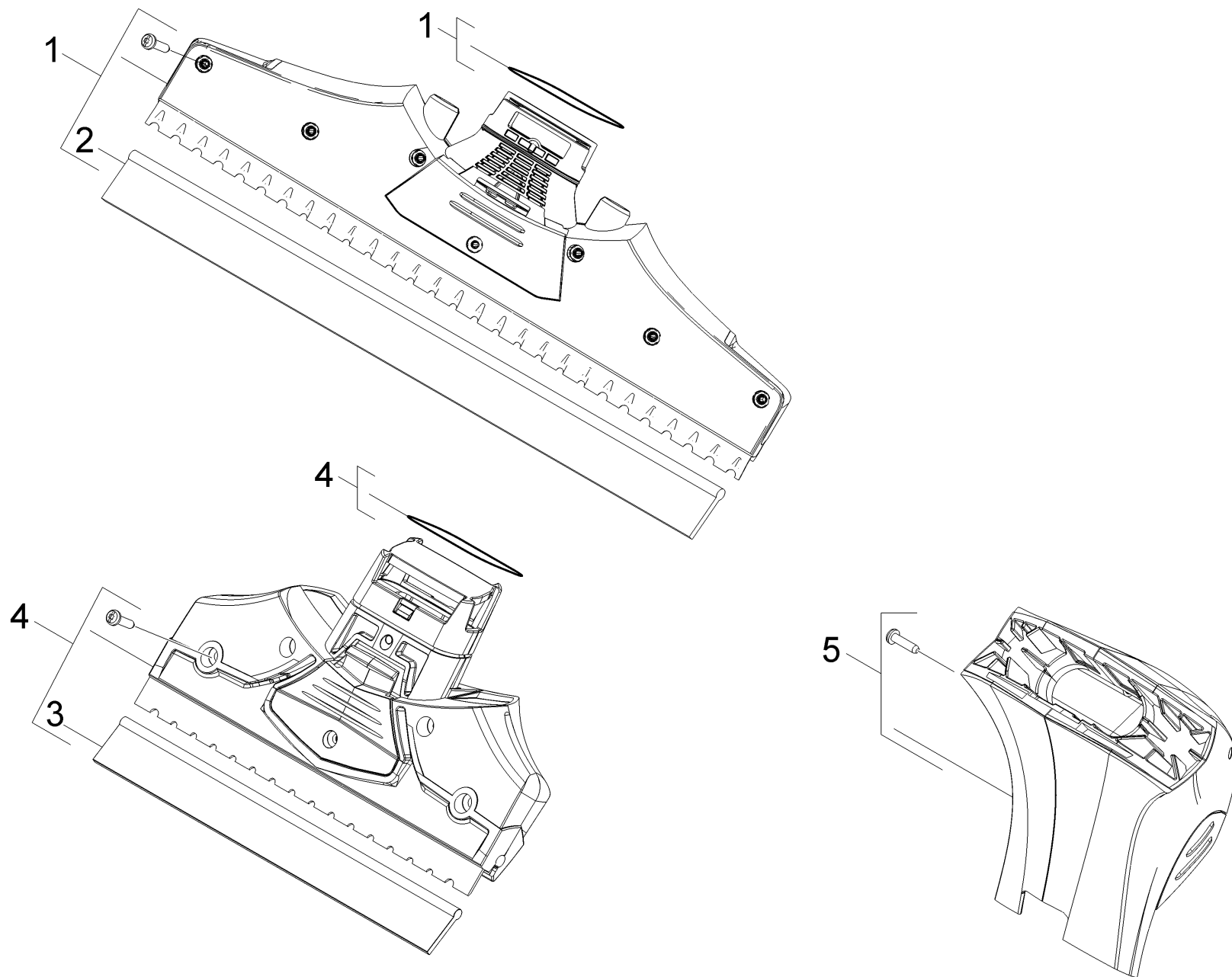
WV 5 Plus N Non Stop Cleaning Kit *EU (1.633-447.0)	3
Spare parts list 1.633-447.0	4
10 Top part	5
1 Suction nozzle black replacement WV 5 (4.633-093.0)	7
4 Suction nozzle Small (2.633-112.0)	9
20 Housing	11
3 Tank complete replacement WV 5 (4.633-094.0)	13
30 Accessories	15

WV 5 Plus N Non Stop Cleaning Kit *EU (1.633-447.0)

POS	Description	Quantity	Unit
0	Spare parts list 1.633-447.0	1	PC

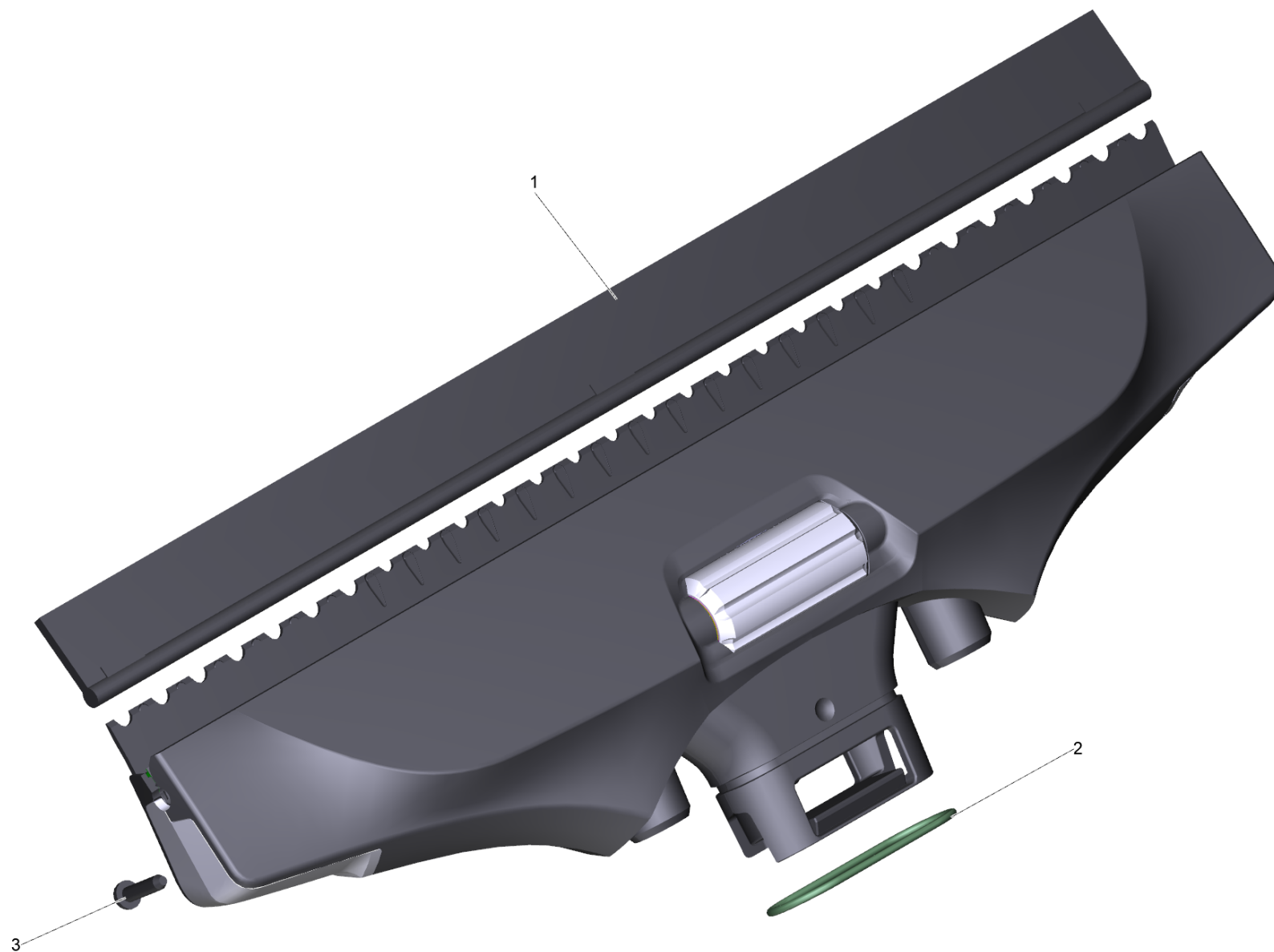
Spare parts list 1.633-447.0

POS	Description	Quantity	Unit
30	Accessories	1	PC
20	Housing	1	PC
10	Top part	1	PC



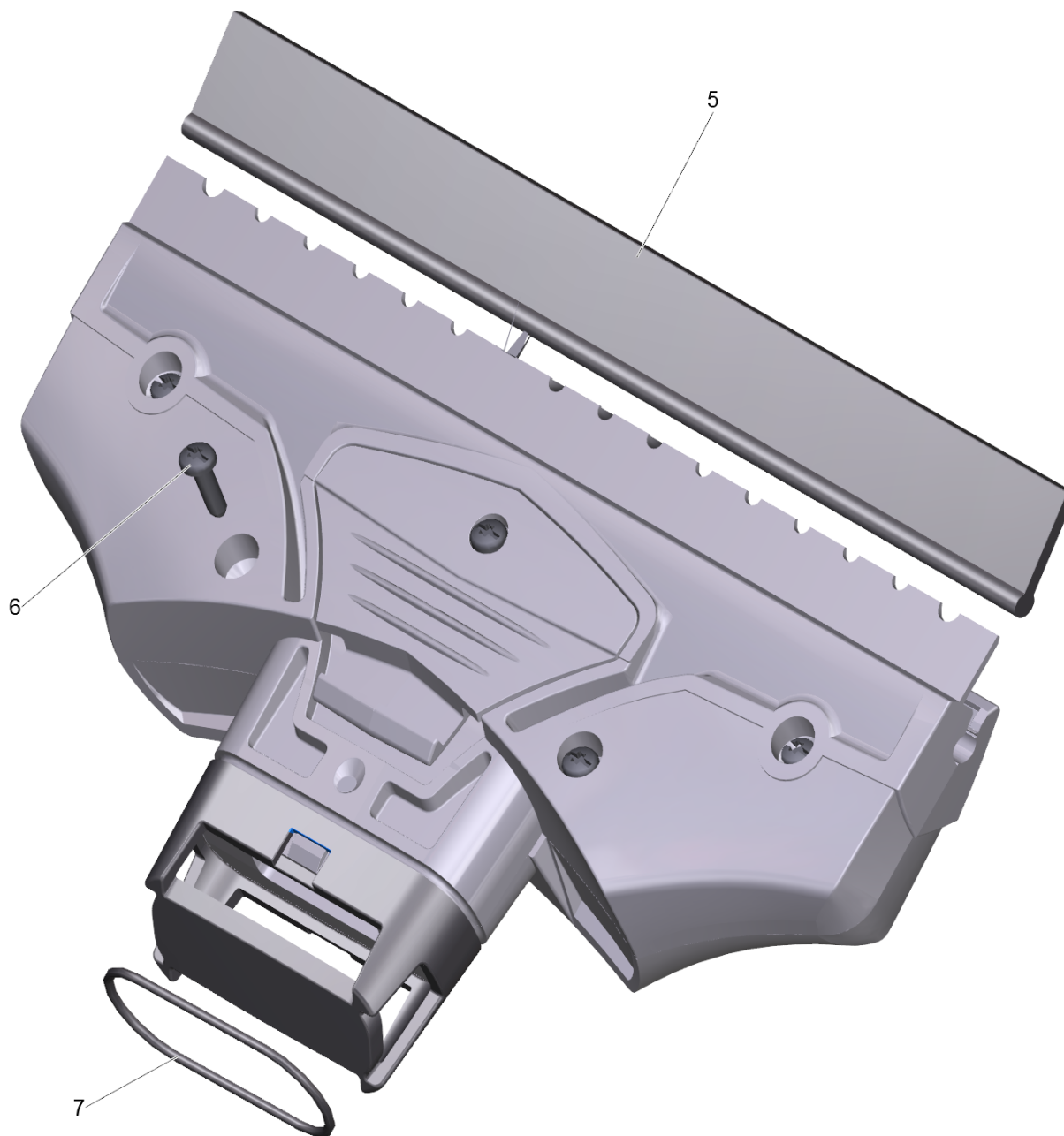
10 Top part

POS	Article no.	Description	Quantity	Unit
3	2.633-104.0	Pull-off lip WV 50 (170mm)	1	PC
2	2.633-005.0	Pull-off lip WV 50 (280mm)	1	PC
5	4.633-015.0	Separator yellow only for replacement	1	PC
1	4.633-093.0	Suction nozzle black replacement WV 5	1	PC
4	2.633-112.0	Suction nozzle Small	1	PC



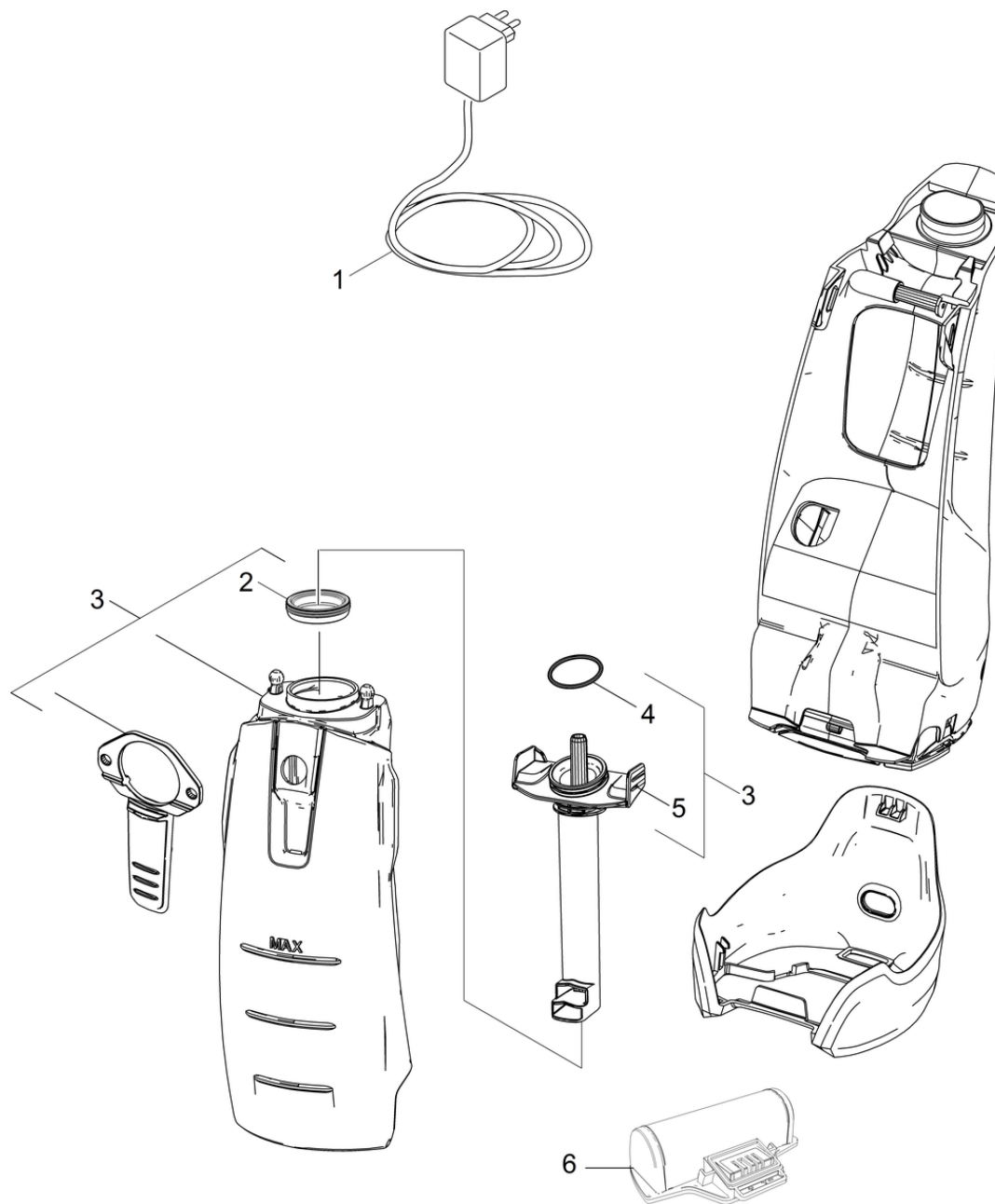
1 Suction nozzle black replacement WV 5 (4.633-093.0)

POS	Article no.	Description	Quantity	Unit
2	6.362-023.0	O-Ring seal 29,10 X 1,6	1	PC
1	2.633-005.0	Pull-off lip WV 50 (280mm)	1	PC
3	6.303-557.0	Screw 3x12 Kombitorx T8	7	PC



4 Suction nozzle Small (2.633-112.0)

POS	Article no.	Description	Quantity	Unit
7	6.362-023.0	O-Ring seal 29,10 X 1,6	1	PC
5	2.633-104.0	Pull-off lip WV 50 (170mm)	1	PC
6	6.303-557.0	Screw 3x12 Kombitorx T8	5	PC



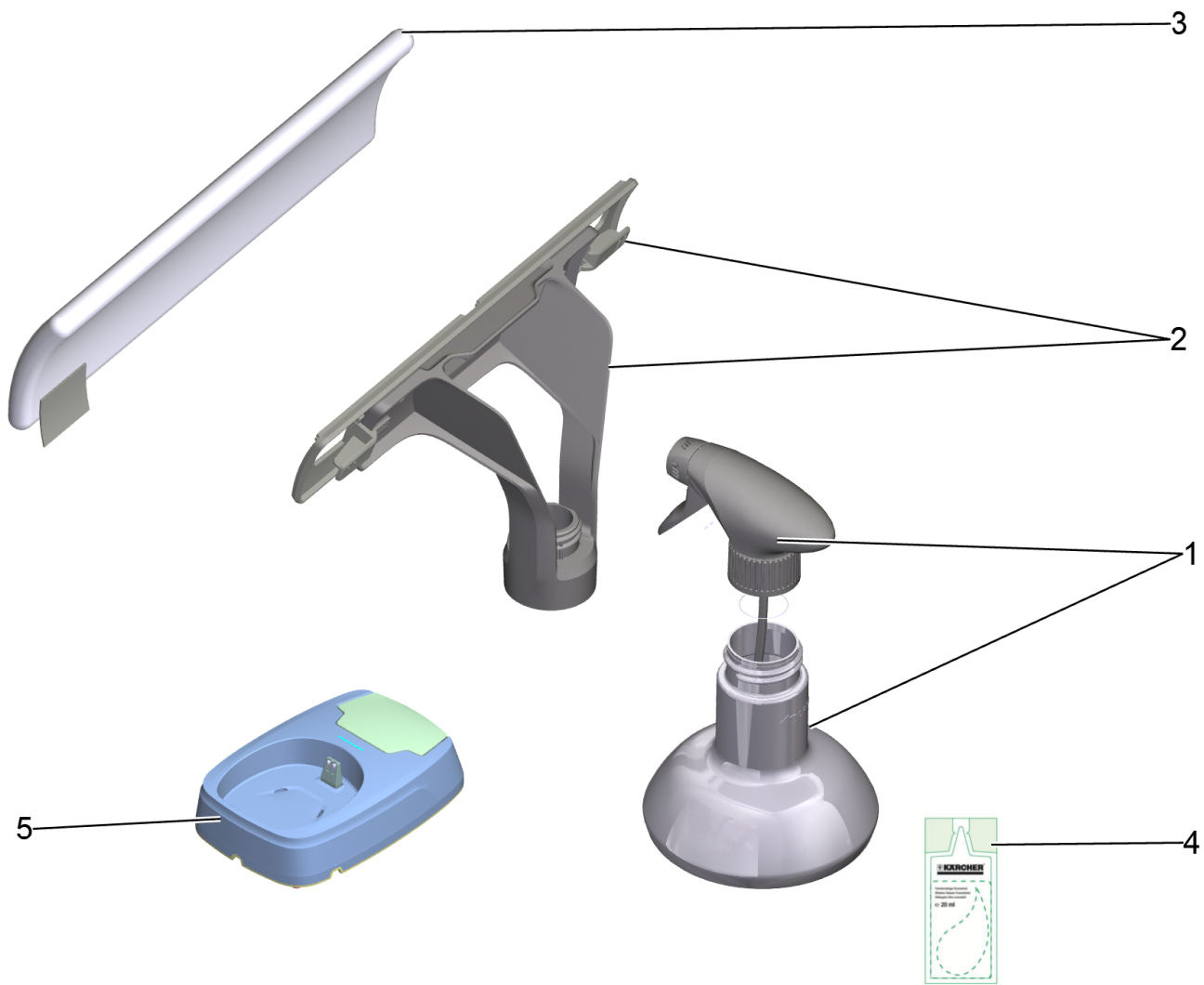
20 Housing

POS	Article no.	Description	Quantity	Unit
7	2.633-125.0	Charging station for WV5	1	PC
8	9.002-531.0	Enclosure completely IEC	1	PC
5	5.633-150.0	Intake water	1	PC
4	6.363-536.0	O-Ring seal 21x1,5	1	PC
6	2.633-123.0	Replaceable accumulator for WV 5	1	PC
2	5.633-141.0	Seal tank	1	PC
3	4.633-094.0	Tank complete replacement WV 5	1	PC
1	2.633-107.0	WV & KV battery charger *EU	1	PC



3 Tank complete replacement WV 5 (4.633-094.0)

POS	Article no.	Description	Quantity	Unit
3	5.633-150.0	Intake water	1	PC
4	6.363-536.0	O-Ring seal 21x1,5	1	PC
2	5.633-141.0	Seal tank	1	PC



30 Accessories

POS	Article no.	Description	Quantity	Unit	Foot note text
5	2.633-125.0	Charging station for WV5	1	PC	
2	4.633-128.0	Pad holder complete premium	1	PC	
4	6.295-302.0	RM 503 4x20ml window cleaning agent concentrate	1	PC	
1	4.633-127.0	Spray bottle round replacement	1	PC	use only together with 4.633-128.0
3	2.633-130.0	WV microfibre wiper cover Indoor	1	PC	