

## **Spare parts list**

(1.524-327.0) HD 9/19 MX Plus \*EU-I

## Table of contents

---

HD 9/19 MX Plus *EU-I (1.524-327.0)	4
Spare parts list high-pressure 9/19 (5.971-999.0)	5
10 Housing	6
11 Housing	7
10 Cover cleaning agents complete (4.060-866.0)	9
12 Hose reel	11
2 Spare part set (2.884-857.0)	13
4 Spare part set (2.884-858.0)	15
20 Pump set	17
21 Cylinder head	18
5 Suction cover complete (4.064-005.0)	21
9 Pressure gauge complete (4.423-024.0)	22
10 Valve (3 Stueck) (2.884-512.0)	23
16 Valve screw (4.483-001.0)	25
28 Valve seat complete (4.481-226.0)	27
32 Spare part set (2.884-551.0)	29
33 Spare part set overflow valve (2.884-550.0)	30
37 Valve complete (4.580-594.0)	31
22 Thrust guidance	33
100 Pump set for piston HD 9/19M (2.885-019.0)	35
7 Valve screw (4.483-001.0)	36
10 Valve (3 Stueck) (2.884-512.0)	38
30 Motor	40
31 Transmission	41
32 Ventilation	43
40 Accessories	45
41 Hand trigger gun	46
1 HAND TRIGGER GUN EASY PRESS (4.775-463.0)	48
9002 Lever complete (4.481-209.0)	50
4 Lever complete (4.481-209.0)	52
42 Rotary controller	54
1 Rotary controller 416L (4.775-470.0)	56
43 High pressure hose	58
44 Jet pipe	60
1 Jet pipe packaged only for replacement (4.760-660.0)	62
14 Screw connector part (5.401-210.0)	64
8 Screw connector part (5.401-210.0)	65
45 Triple jet nozzle	66

## Table of contents

---

Triple jet nozzle only for replacement 0 (4.767-155.0)	68
2Z Spare parts list triple jet nozzle (5.970-837.0)	69
10 Triple jet nozzle plastics	70
20 Triple jet nozzle brass	72
46 Dirt blaster	74
1 Dirt blaster 055/06 (4.763-250.0)	76
11 Spare parts list dirt blaster (5.955-641.0)	77
10 Dirt blaster	78
Spare part set rotor 170 (2.881-025.0)	81
Spare part set dirt blaster 04-HD 1050 (2.883-471.0)	83
Spare part set dirt blaster 05 (2.883-472.0)	85
Spare part set dirt blaster 055/06 (2.883-473.0)	87
Spare part set dirt blaster 07/08-HDS 8 (2.883-474.0)	89
Spare part set dirt blaster 120 (2.884-051.0)	91
Spare part set dirt blaster 035 (2.884-052.0)	93
Spare part set dirt blaster 045 (2.884-113.0)	95
Spare part set dirt blaster 09 (2.884-316.0)	97
Spare parts set rotor 100 (2.885-196.0)	99
100 Spare part set dirt blaster 055/06 (2.883-473.0)	101
50 Electric box	103

<b>POS</b>	<b>Article no.</b>	<b>Description</b>	<b>Quantity</b>	<b>Unit</b>
0	5.971-999.0	Spare parts list high-pressure 9/19	1.000	ST

Spare parts list high-pressure 9/19 (5.971-999.0)

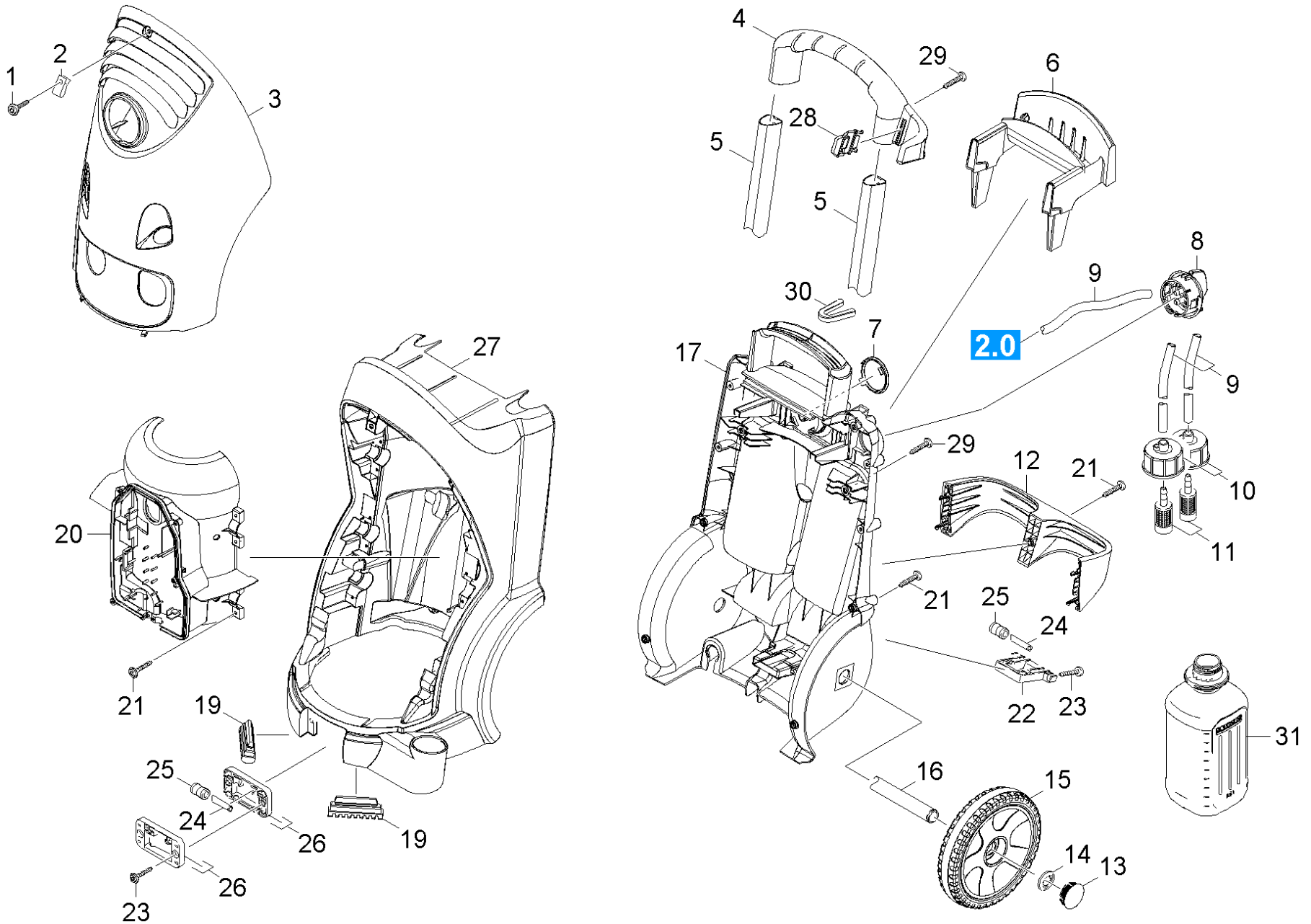
---

POS	Description	Quantity	Unit
10	Housing	1.000	ST
20	Pump set	1.000	ST
30	Motor	1.000	ST
40	Accessories	1.000	ST
50	Electric box	1.000	ST

## 10 Housing

---

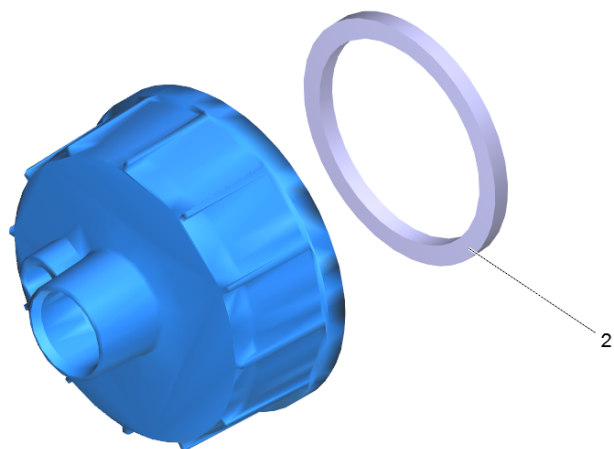
<b>POS</b>	<b>Description</b>	<b>Quantity</b>	<b>Unit</b>
11	Housing	1.000	ST
12	Hose reel	1.000	ST



## 11 Housing

POS	Article no.	Description	Quantity	Unit	Foot note text
1	6.304-099.0	Saucer-head screw M 6x 18-4.8-R2R	1.000	ST	
2	6.310-053.0	Putting nut	1.000	ST	
3	5.069-413.3	Device cover basalt grey only for replac	1.000	ST	
4	5.321-751.0	Handhold	1.000	ST	
5	5.107-262.0	Bar	2.000	ST	
6	5.044-735.0	Holder	1.000	ST	
7	5.032-475.0	Covering cap cover	1.000	ST	
8	4.580-645.0	Proportioning valve chemistry	1.000	ST	
9	6.388-216.0	Hose DN 5	1.000	M	TO ORDER AS CUT GOODS
10	4.060-866.0	Cover cleaning agents complete	2.000	ST	
11	5.731-652.0	Filter with weight	2.000	ST	
12	5.032-747.0	Retaining bracket	1.000	ST	
13	2.889-086.0	Set wheel cap	1.000	ST	SET OF 2 PIECES
14	6.343-217.0	Clamping washer D25	2.000	ST	
15	4.515-320.0	Wheel complete	1.000	ST	SET OF 2 PIECES
16	5.105-413.0	Axle	1.000	ST	
17	5.050-431.0	Frame rear panel	1.000	ST	
19	5.057-062.0	Support	2.000	ST	
20	5.692-075.0	Air circulation	1.000	ST	
21	7.303-108.0	Screw 5x20 -10.9-R2R (In6Rd)	19.000	ST	
22	5.044-647.0	Holder roller rear	1.000	ST	
23	7.303-110.0	Screw 5x35 -10.9-R2R (In6Rd)	4.000	ST	
24	5.128-511.0	Axle	4.000	ST	
25	5.515-191.0	Roller	4.000	ST	
26	5.044-646.0	Holder roller front	1.000	ST	
27	5.050-252.0	Frame front part	1.000	ST	
28	5.044-216.0	Holder	1.000	ST	
29	7.303-048.0	Screw M6x20 -St-R3R (In6Rd)	8.000	ST	
30	5.032-782.0	Moulded part	1.000	ST	
31	6.394-491.0	Bottle PE 2,5 L	2.000	ZST	



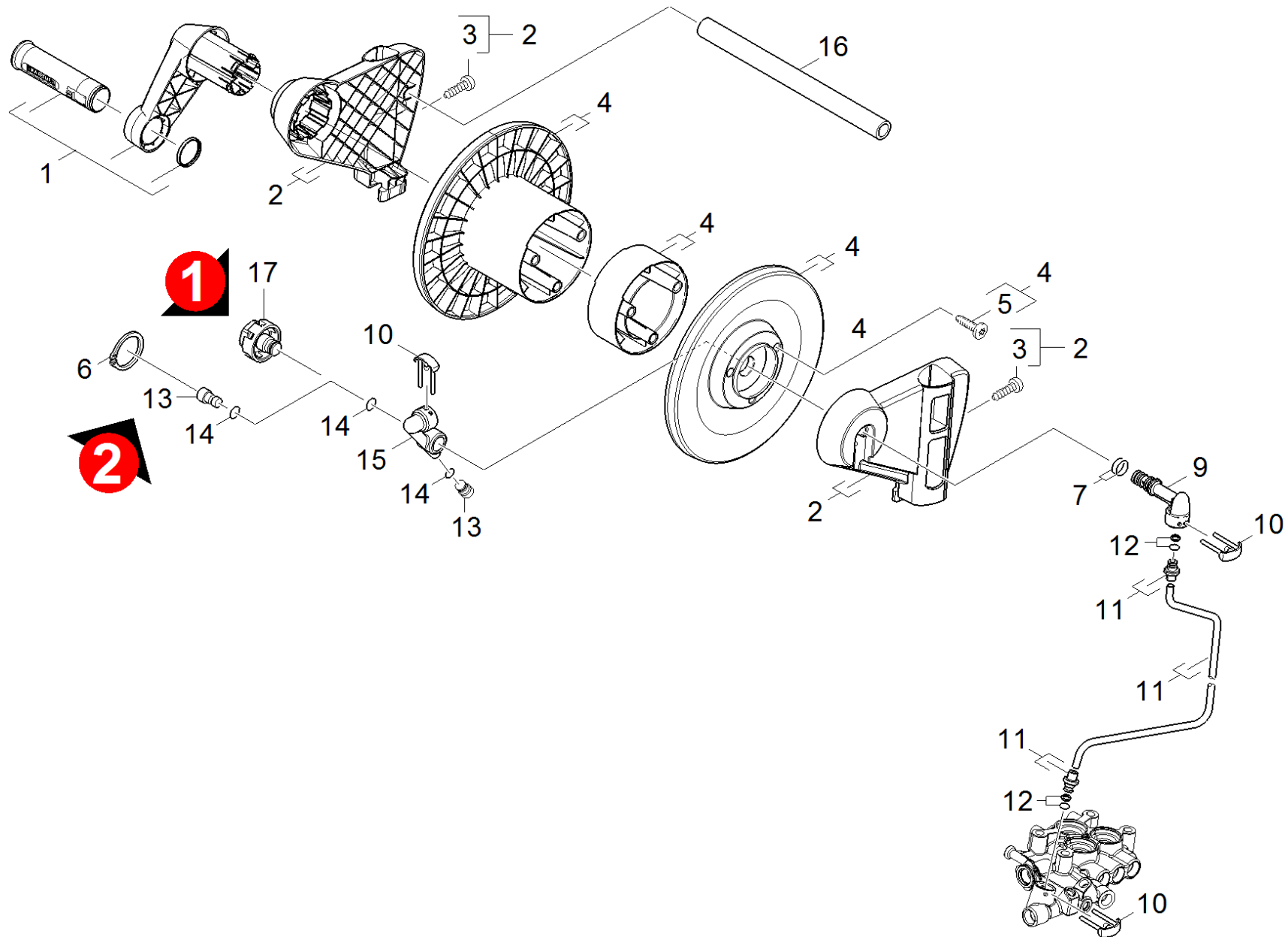


10 Cover cleaning agents complete (4.060-866.0)

---

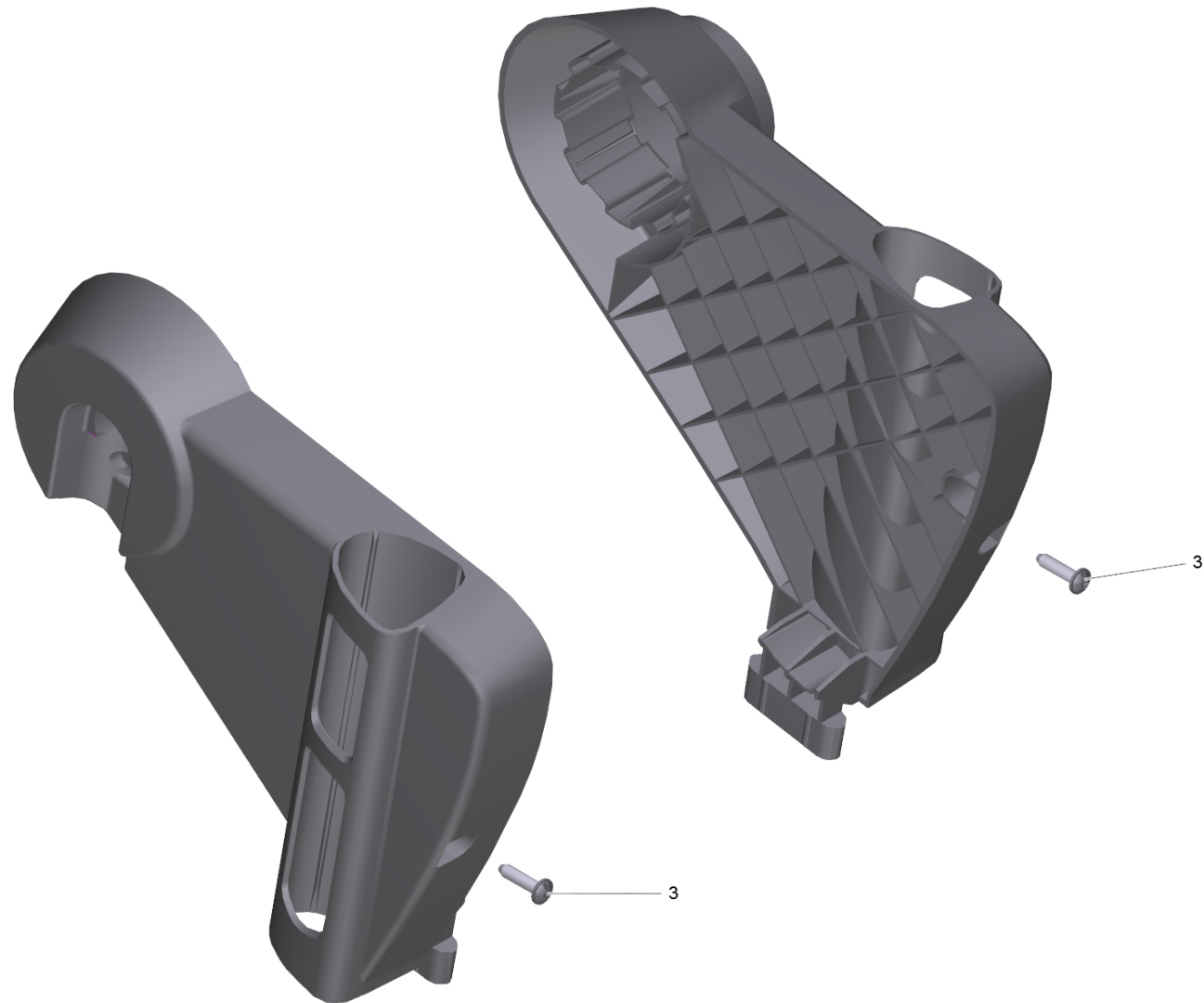
<b>POS</b>	<b>Article no.</b>	<b>Description</b>	<b>Quantity</b>	<b>Unit</b>
2	6.363-304.0	Seal	1.000	ST

---



## 12 Hose reel

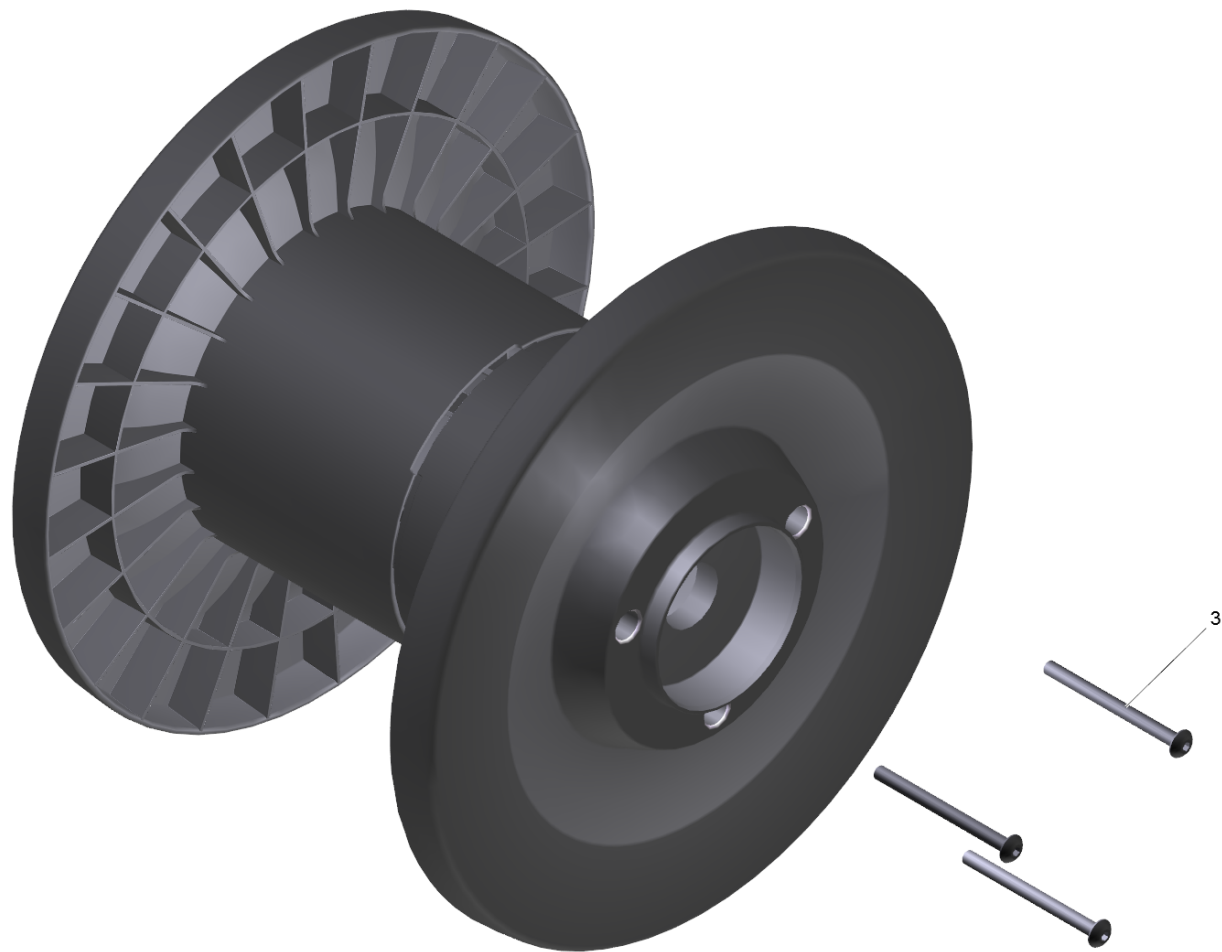
POS	Article no.	Description	Quantity	Unit
1	4.481-213.0	Crank complete	1.000	ST
2	2.884-857.0	Spare part set	1.000	ST
3	7.303-048.0	Screw M6x20 -St-R3R (In6Rd)	2.000	ST
4	2.884-858.0	Spare part set	1.000	ST
5	6.303-329.0	Screw 5x60 - St. verz. bl.	3.000	ST
6	7.343-018.0	Locking ring 18x1,2-Rf-St DIN 471	1.000	ST
7	4.363-693.0	O-Ring seal kpl. -nur fuer Ersatz-	2.000	ST
8	6.362-703.0	O-Ring seal 6,0x1,5-NBR 70	2.000	ST
9	5.427-328.0	Manifold	1.000	ST
10	4.037-013.0	Hook	3.000	ST
11	4.421-911.0	Pipelines complete	1.000	ST
12	4.363-691.0	O-Ring seal kpl. -nur fuer Ersatz-	2.000	ST
13	5.411-161.0	CLOSING SCREW M10X1	2.000	ST
14	6.362-703.0	O-Ring seal 6,0x1,5-NBR 70	2.000	ST
15	5.427-326.0	Manifold	1.000	ST
16	5.107-263.0	Bar VA	1.000	ST
17	7.343-018.0	Locking ring 18x1,2-Rf-St DIN 471	1.000	ST



2 Spare part set (2.884-857.0)

---

POS	Article no.	Description	Quantity	Unit
3	7.303-048.0	Screw M6x20 -St-R3R (In6Rd)	2.000	ST



4 Spare part set (2.884-858.0)

---

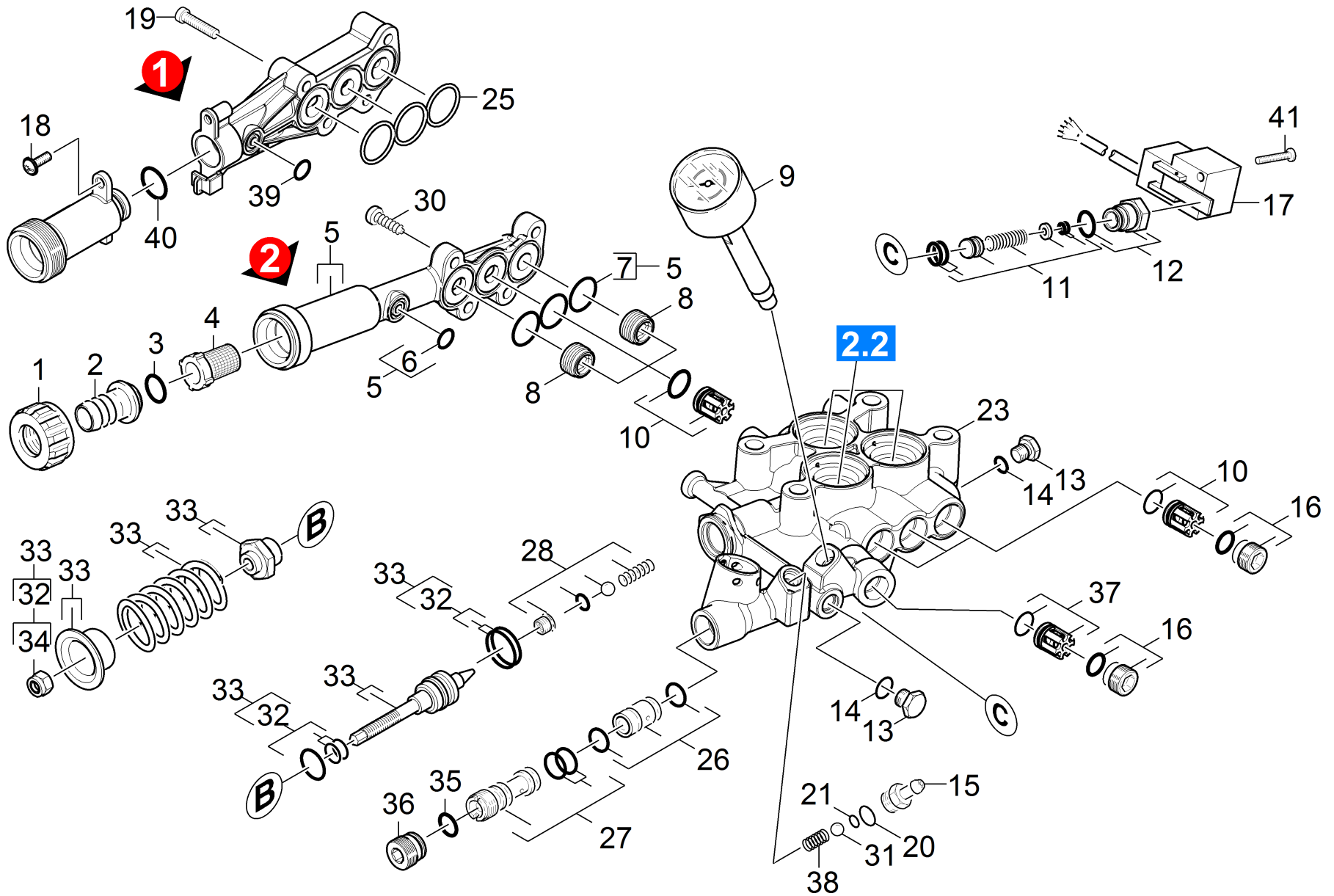
POS	Article no.	Description	Quantity	Unit
3	6.303-329.0	Screw 5x60 - St. verz. bl.	3.000	ST



## 20 Pump set

---

<b>POS</b>	<b>Description</b>	<b>Quantity</b>	<b>Unit</b>
21	Cylinder head	1.000	ST
22	Thrust guidance	1.000	ST



## 21 Cylinder head

POS	Article no.	Description	Quantity	Unit
1	5.310-076.0	Nut	1.000	ST
2	5.443-291.0	Hose stem	1.000	ST
3	6.362-161.0	O-Ring seal 19,3 X 2,4	1.000	ST
4	6.414-141.0	Strainer	1.000	ST
5	4.064-005.0	Suction cover complete	1.000	ST
6	6.362-388.0	O-Ring seal 8,0x1,5 -EPDM 70	1.000	ST
7	6.363-536.0	O-Ring seal 21x1,5	3.000	ST
8	5.583-177.0	Valve screw M20x1	2.000	ST
9	4.423-024.0	Pressure gauge complete	1.000	ST
10	2.884-512.0	Valve (3 Stueck)	1.000	ST
11	2.884-869.0	Spare part set control piston	1.000	ST
12	4.411-011.0	Spare part set HD 7/18 M	1.000	ST
13	5.411-070.0	Screw plug	2.000	ST
14	6.362-690.0	O-Ring seal 7x2 - NBR 70	2.000	ST
15	5.443-624.0	Nipple	1.000	ST
16	4.483-001.0	Valve screw	4.000	ST
17	6.635-493.0	2-Phases-Switch	1.000	ST
18	7.303-108.0	Screw 5x20 -10.9-R2R (In6Rd)	1.000	ST
19	7.306-118.0	Screw M 6x35 -8.8-R3R (In6Rd)	4.000	ST
20	6.362-690.0	O-Ring seal 7x2 - NBR 70	1.000	ST
21	6.363-597.0	O-Ring seal 5,28 x 1,78	1.000	ST
23	4.550-708.0	Cylinder head complete	1.000	ST
25	5.365-371.0	Profile gasket	1.000	ST
26	2.884-870.0	Spare part set Dueseneinsatz	1.000	ST
27	4.769-054.0	Nozzle insert kpl.	1.000	ST
28	4.481-226.0	Valve seat complete	1.000	ST
30	7.306-023.0	Cylinder head screw M6x25 -8.8-A2E ISO4	4.000	ST
31	7.401-908.0	Sphere 7 G300 -1.4301 DIN 5401	1.000	ST
32	2.884-551.0	Spare part set	1.000	ST
33	2.884-550.0	Spare part set overflow valve	1.000	ST
34	7.311-510.0	Hexagon nut M 8-8-A2E ISO 7040	1.000	ST
35	6.362-480.0	O-Ring seal 12,42x 1,78	1.000	ST
36	5.411-171.0	Screw plug	1.000	ST

## 21 Cylinder head

---

<b>POS</b>	<b>Article no.</b>	<b>Description</b>	<b>Quantity</b>	<b>Unit</b>
37	4.580-594.0	Valve complete	1.000	ST
38	5.332-258.0	Helical spring	1.000	ST
39	6.363-516.0	O-Ring seal 8,5x2	1.000	ST
40	6.362-481.0	O-Ring seal 14,0 x 2,0 NBR 80	1.000	ST
41	7.306-320.0	Oval head screw M 5x40-A2-70 ISO 7045	1.000	ST

## 5 Suction cover complete (4.064-005.0)

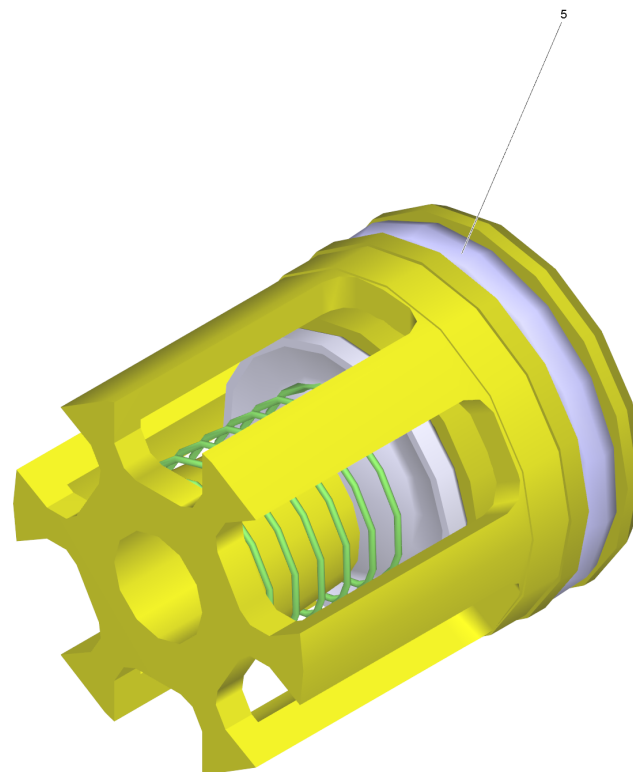
---

<b>POS</b>	<b>Article no.</b>	<b>Description</b>	<b>Quantity</b>	<b>Unit</b>
2	6.363-536.0	O-Ring seal 21x1,5	3.000	ST
3	6.362-388.0	O-Ring seal 8,0x1,5 -EPDM 70	1.000	ST
4	6.590-002.0	Bag PE 150x230 mm	1.000	ST
5	6.376-036.0	Label spare parts neutrally 65x55 MM	1.000	ZST

9 Pressure gauge complete (4.423-024.0)

---

<b>POS</b>	<b>Article no.</b>	<b>Description</b>	<b>Quantity</b>	<b>Unit</b>
3	6.376-036.0	Label spare parts neutrally 65x55 MM	2.000	ZST

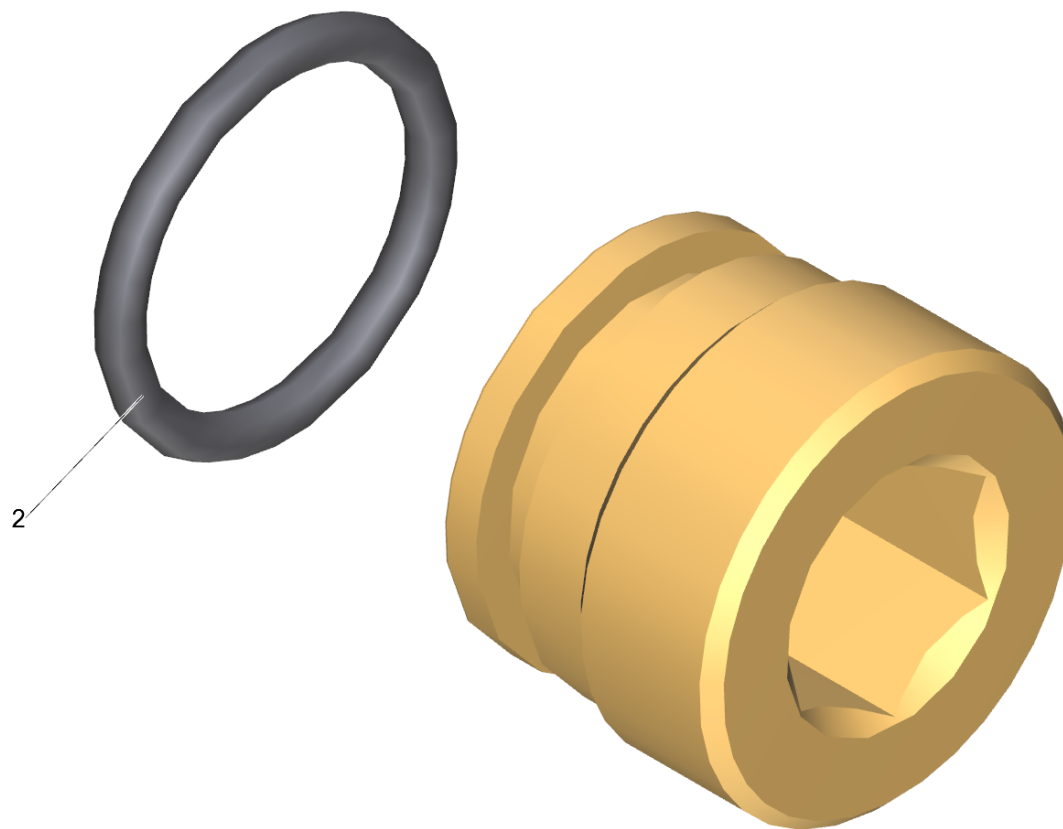


10 Valve (3 Stueck) (2.884-512.0)

---

POS	Article no.	Description	Quantity	Unit
5	6.363-003.0	O-Ring seal 13,0 X 2,0-NBR 90	1.000	ST

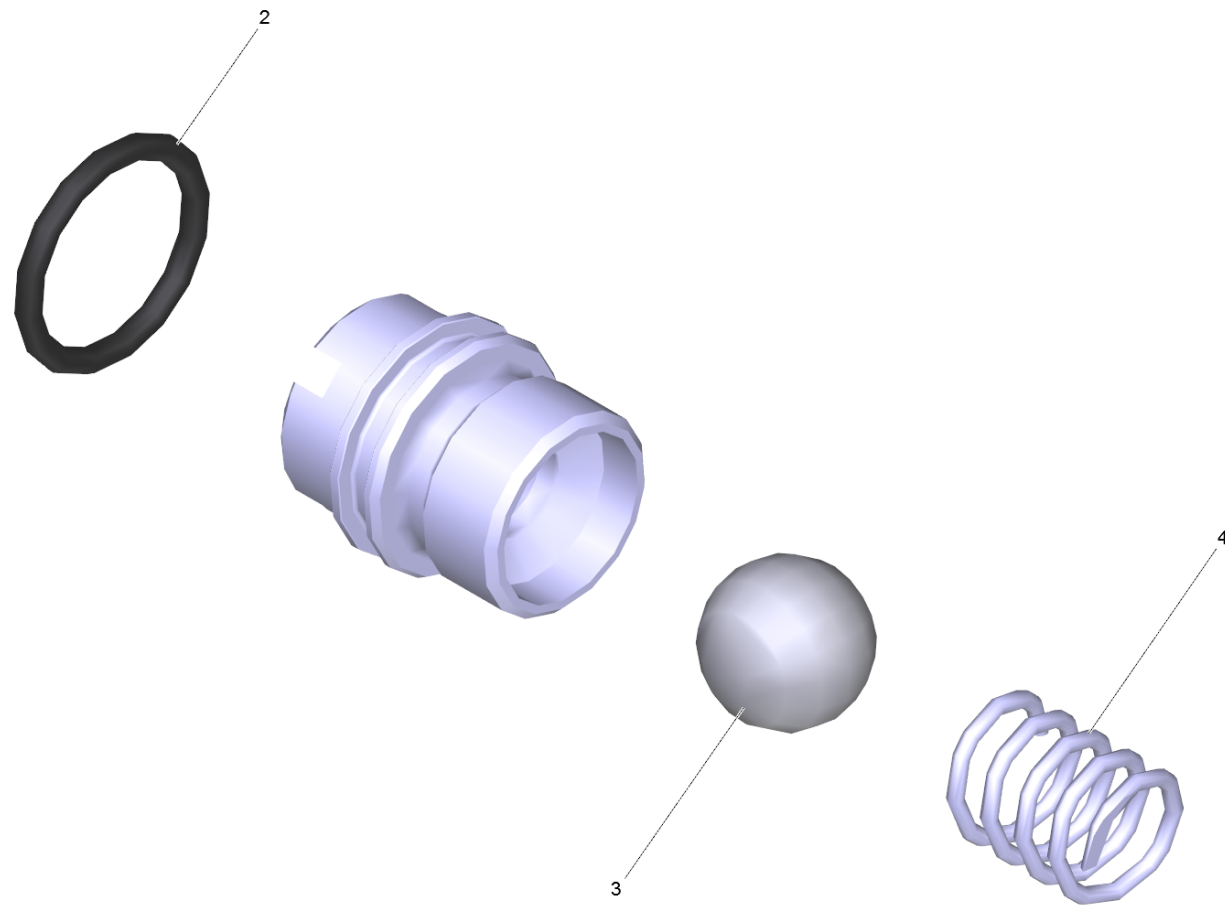




16 Valve screw (4.483-001.0)

---

POS	Article no.	Description	Quantity	Unit
2	6.362-481.0	O-Ring seal 14,0 x 2,0 NBR 80	1.000	ST



28 Valve seat complete (4.481-226.0)

---

POS	Article no.	Description	Quantity	Unit
2	6.362-858.0	O-Ring seal 11,0 X 1,5	1.000	ST
3	7.401-907.0	Sphere 3/8 G200-1.4301 DIN 5401	1.000	ST
4	5.332-999.0	Helical spring	1.000	ST

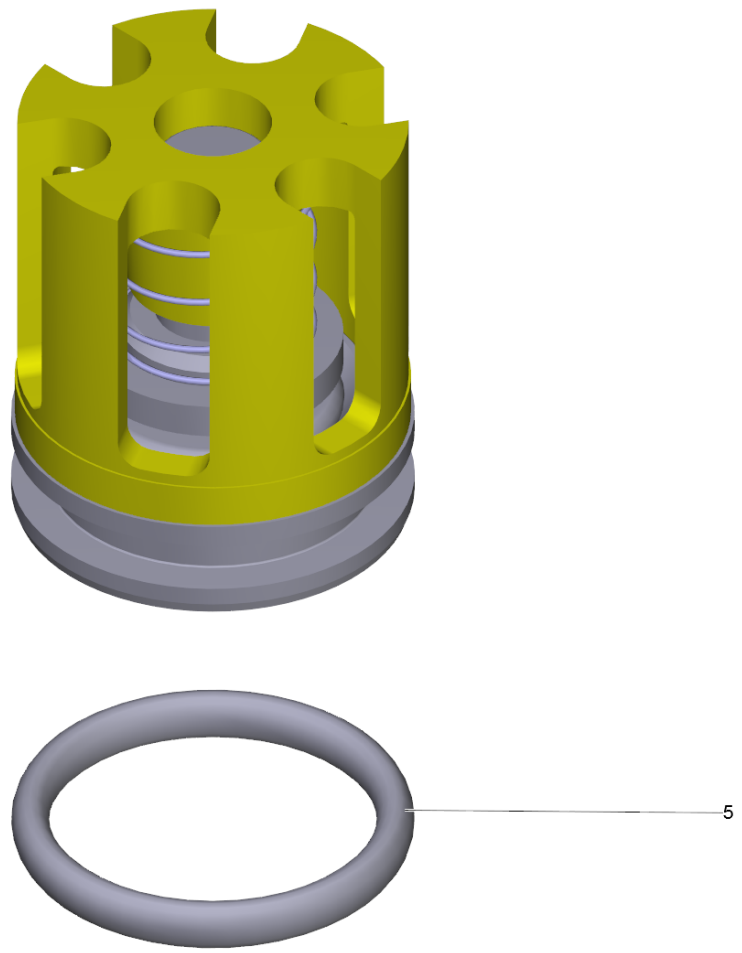
## 32 Spare part set (2.884-551.0)

---

<b>POS</b>	<b>Article no.</b>	<b>Description</b>	<b>Quantity</b>	<b>Unit</b>
44	6.362-365.0	O-Ring seal complete 1ST.-R.- 7,65X 1,7	1.000	ST
46	6.362-445.0	O-Ring seal 16,0 X 2,4-NBR 80	1.000	ST
47	6.362-575.0	O-Ring seal 12,42 KOMPL	1.000	ST
71	7.311-510.0	Hexagon nut M 8-8-A2E ISO 7040	1.000	ST
101	6.376-036.0	Label spare parts neutrally 65x55 MM	2.000	ZST

### 33 Spare part set overflow valve (2.884-550.0)

POS	Article no.	Description	Quantity	Unit
7	5.112-757.0	Bush	1.000	ST
16	5.332-530.0	Helical spring	1.000	ST
44	6.362-365.0	O-Ring seal complete 1ST.-R.- 7,65X 1,7	1.000	ST
46	6.362-445.0	O-Ring seal 16,0 X 2,4-NBR 80	1.000	ST
47	6.362-575.0	O-Ring seal 12,42 KOMPL	1.000	ST
71	7.311-510.0	Hexagon nut M 8-8-A2E ISO 7040	1.000	ST
145		Grease	0.010	G
151	6.376-036.0	Label spare parts neutrally 65x55 MM	2.000	ZST

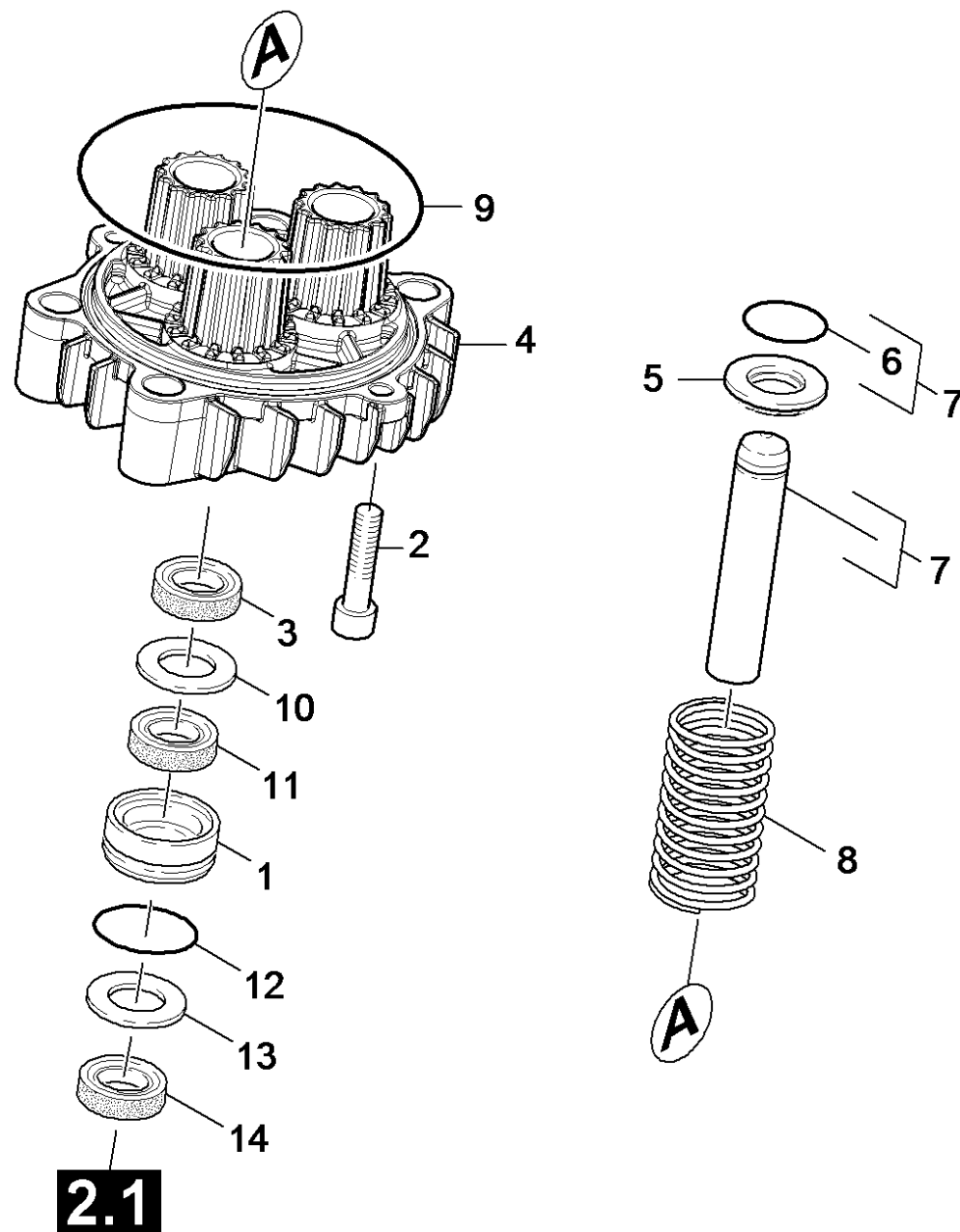


37 Valve complete (4.580-594.0)

---

POS	Article no.	Description	Quantity	Unit
5	6.362-381.0	O-Ring seal 13x2 - NBR 70	1.000	ST



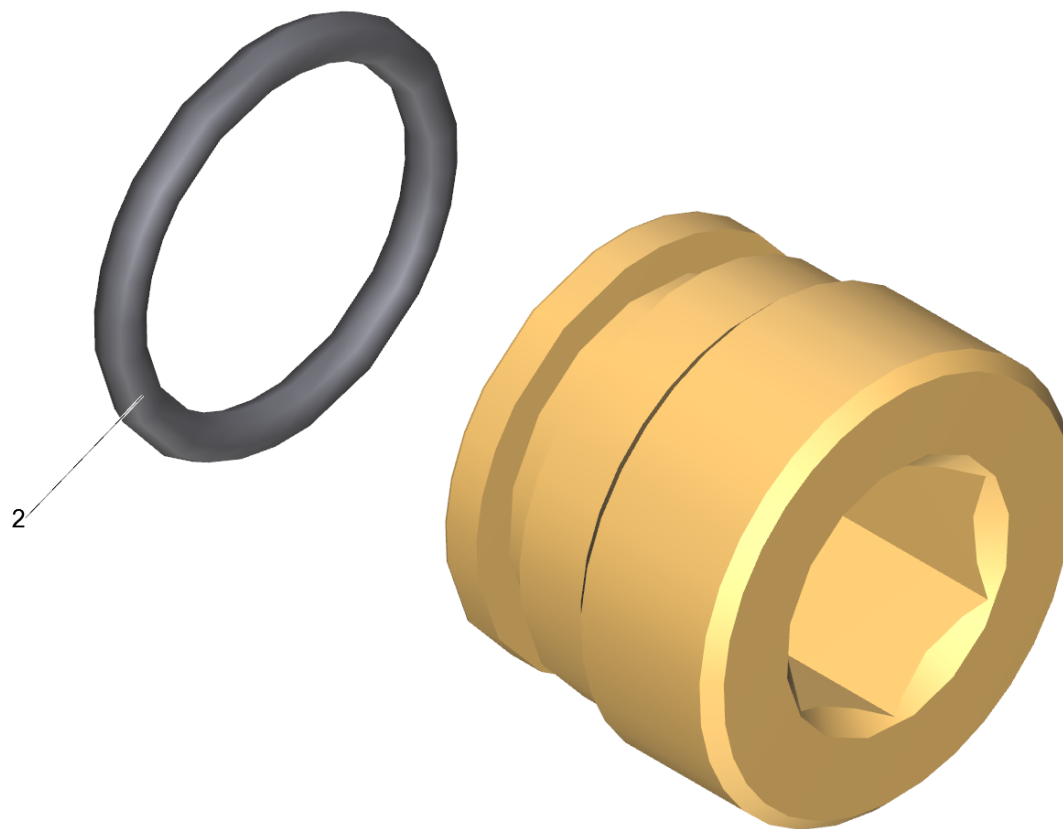


## 22 Thrust guidance

POS	Article no.	Description	Quantity	Unit
1	5.112-402.3	Bush	3.000	ST
2	7.306-094.0	Screw M6x25 -8.8-R3R (In6Rd)	2.000	ST
3	6.365-322.0	Grooved ring 16X24X7	3.000	ST
4	5.061-083.3	Housing	1.000	ST
4	5.061-083.3	Housing	1.000	ST
5	5.116-150.0	Washer D16	3.000	ST
6	7.343-478.0	Snap ring 16 -FST DIN 9925	3.000	ST
7	4.553-252.0	Spare part set piston complete HD 9/19	3.000	ST
8	5.332-529.0	Helical spring	3.000	ST
9	6.362-102.0	O-Ring seal 90,0 X 3,0	1.000	ST
10	5.115-492.0	Washer	3.000	ST
11	6.365-351.0	Compact seal 16 x 24 x 4	3.000	ST
12	6.362-398.0	O-Ring seal 27,5 X 1,5-NBR 70	3.000	ST
13	5.115-493.0	Washer	3.000	ST
14	6.365-408.0	Grooved ring 16x24x5.3	3.000	ST
100	2.885-019.0	Pump set for piston HD 9/19M	1.000	ST

100 Pump set for piston HD 9/19M (2.885-019.0)

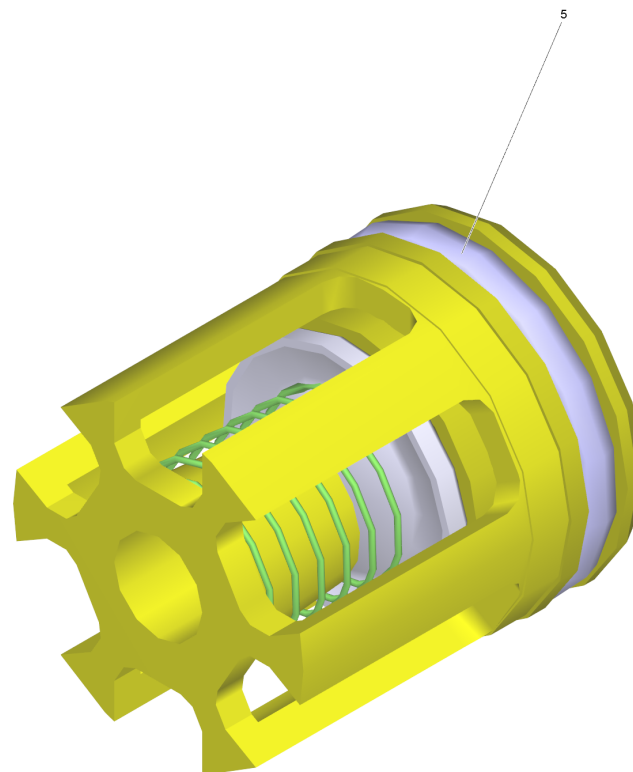
POS	Article no.	Description	Quantity	Unit
1	6.365-351.0	Compact seal 16 x 24 x 4	3.000	ST
2	5.115-493.0	Washer	3.000	ST
3	5.115-492.0	Washer	3.000	ST
4	6.362-388.0	O-Ring seal 8,0x1,5 -EPDM 70	1.000	ST
5	6.365-322.0	Grooved ring 16X24X7	3.000	ST
6	6.365-408.0	Grooved ring 16x24x5.3	3.000	ST
7	4.483-001.0	Valve screw	4.000	ST
8	6.362-547.0	O-Ring seal 20,0x1,5-NBR 70	3.000	ST
9	5.112-402.3	Bush	3.000	ST
10	2.884-512.0	Valve (3 Stueck)	2.000	ST



7 Valve screw (4.483-001.0)

---

<b>POS</b>	<b>Article no.</b>	<b>Description</b>	<b>Quantity</b>	<b>Unit</b>
2	6.362-481.0	O-Ring seal 14,0 x 2,0 NBR 80	1.000	ST



10 Valve (3 Stueck) (2.884-512.0)

---

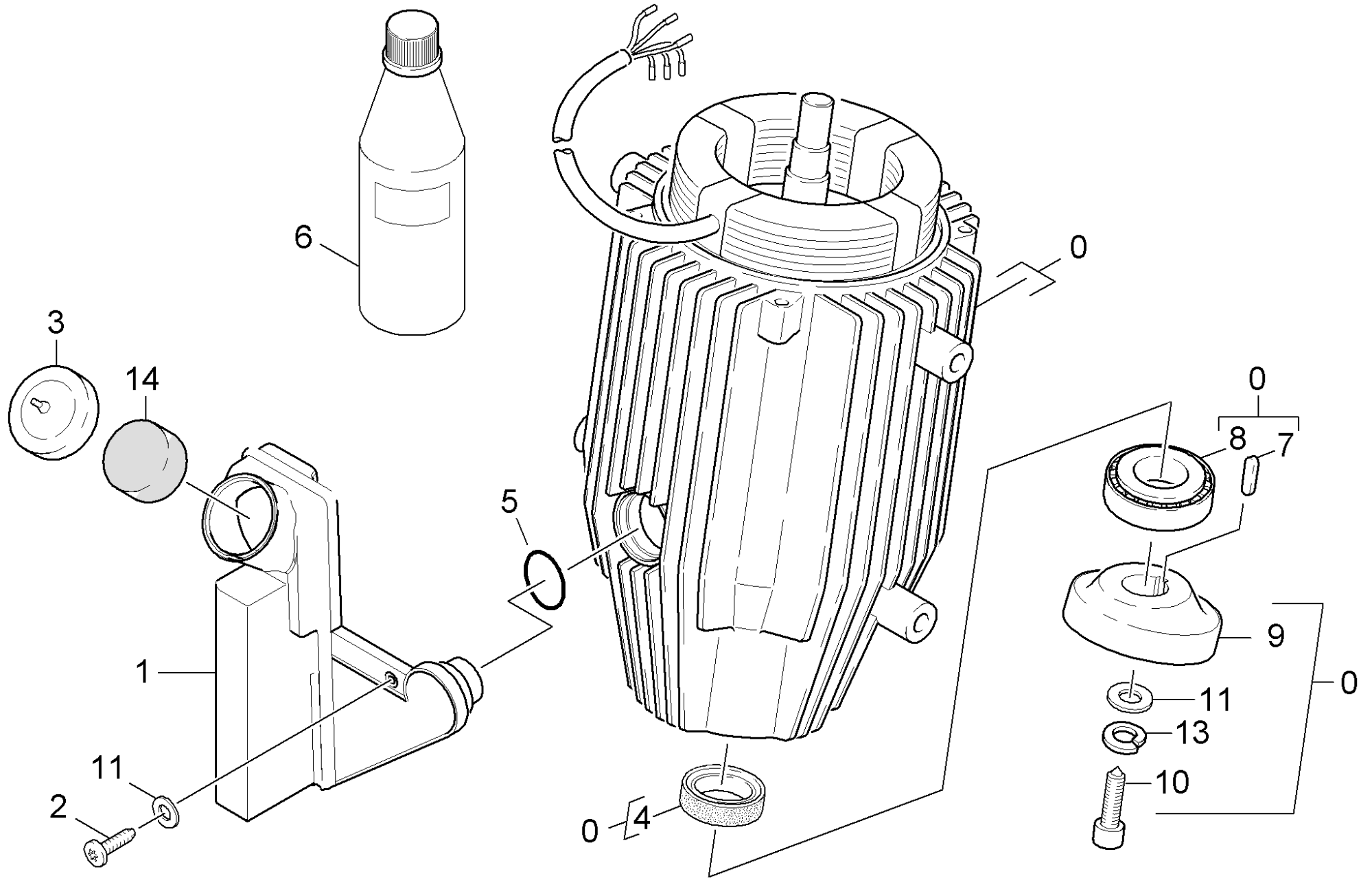
POS	Article no.	Description	Quantity	Unit
5	6.363-003.0	O-Ring seal 13,0 X 2,0-NBR 90	1.000	ST

## 30 Motor

---

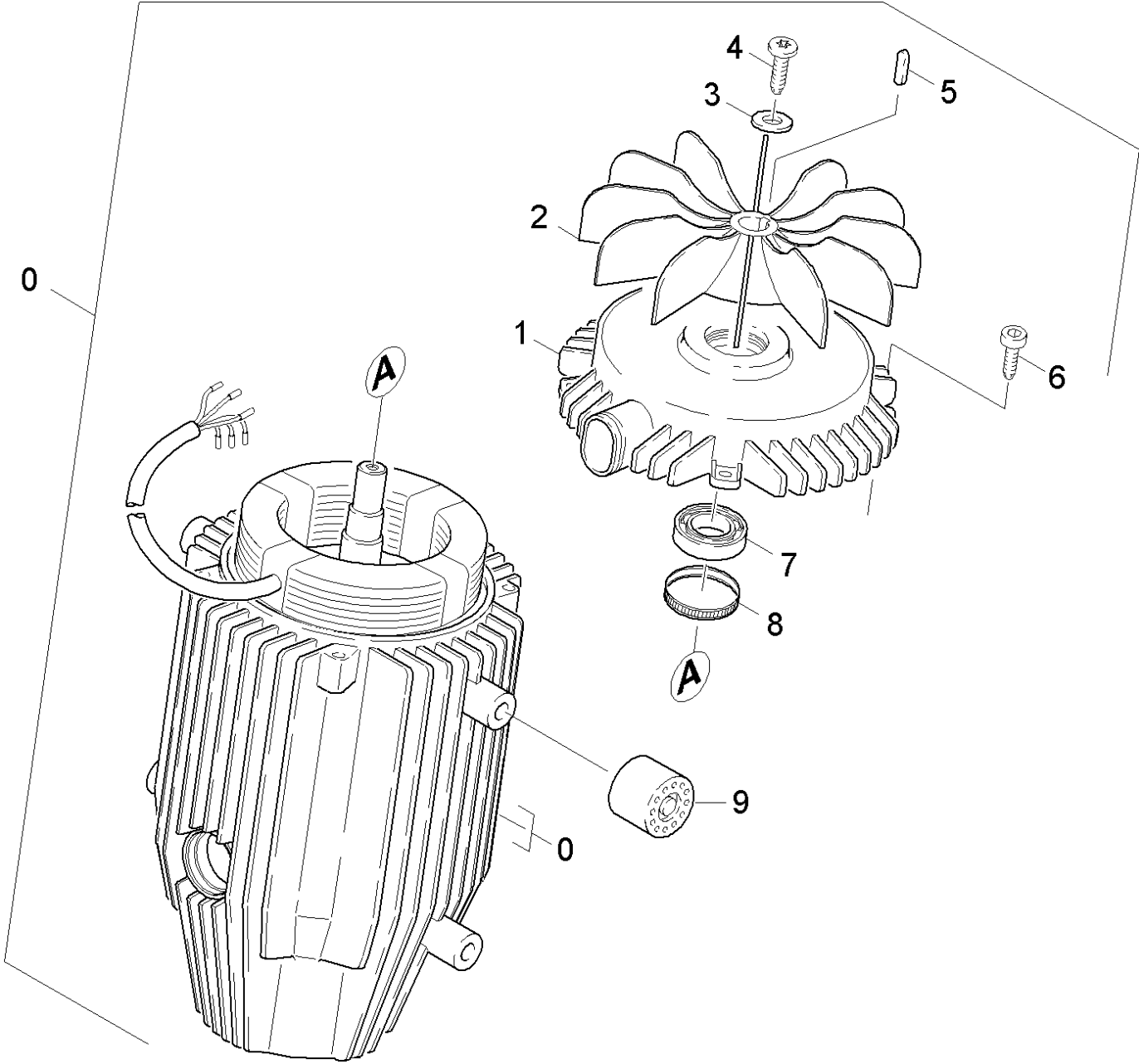
<b>POS</b>	<b>Description</b>	<b>Quantity</b>	<b>Unit</b>
31	Transmission	1.000	ST
32	Ventilation	1.000	ST





## 31 Transmission

POS	Article no.	Description	Quantity	Unit
0	4.623-782.0	Motor complete only for replacement	1.000	ST
1	5.070-658.0	Tank oil	1.000	ST
2	6.303-320.0	Screw M 5x 20-St-R2R	1.000	ST
3	5.064-457.0	cover plate qusty grey oil	1.000	ST
4	7.367-156.0	Radial shaft seal ring A30x40x7-NBR DIN	1.000	ST
5	6.362-722.0	O-Ring seal 28,0 X 3,0	1.000	ST
6	6.288-016.0	Gear oil 1L	1.000	ST
7	7.318-070.0	Parallel key 5x5x20-C45K DIN 6885-1	1.000	ST
8	6.401-399.0	Taper roller bearing	1.000	ST
9	4.120-217.0	Spare part set wobble plate complete	1.000	ST
10	7.306-092.0	Screw M6x20-ST- 8.8-R3R (IN6RD)	2.000	ST
11	7.312-260.0	Washer 6 -100HV-A3E ISO 7094	2.000	ST
13	7.312-003.0	Washer 6 -200HV-A3E ISO 7089	2.000	ST
14	5.132-107.0	Plug	1.000	ST



## 32 Ventilation

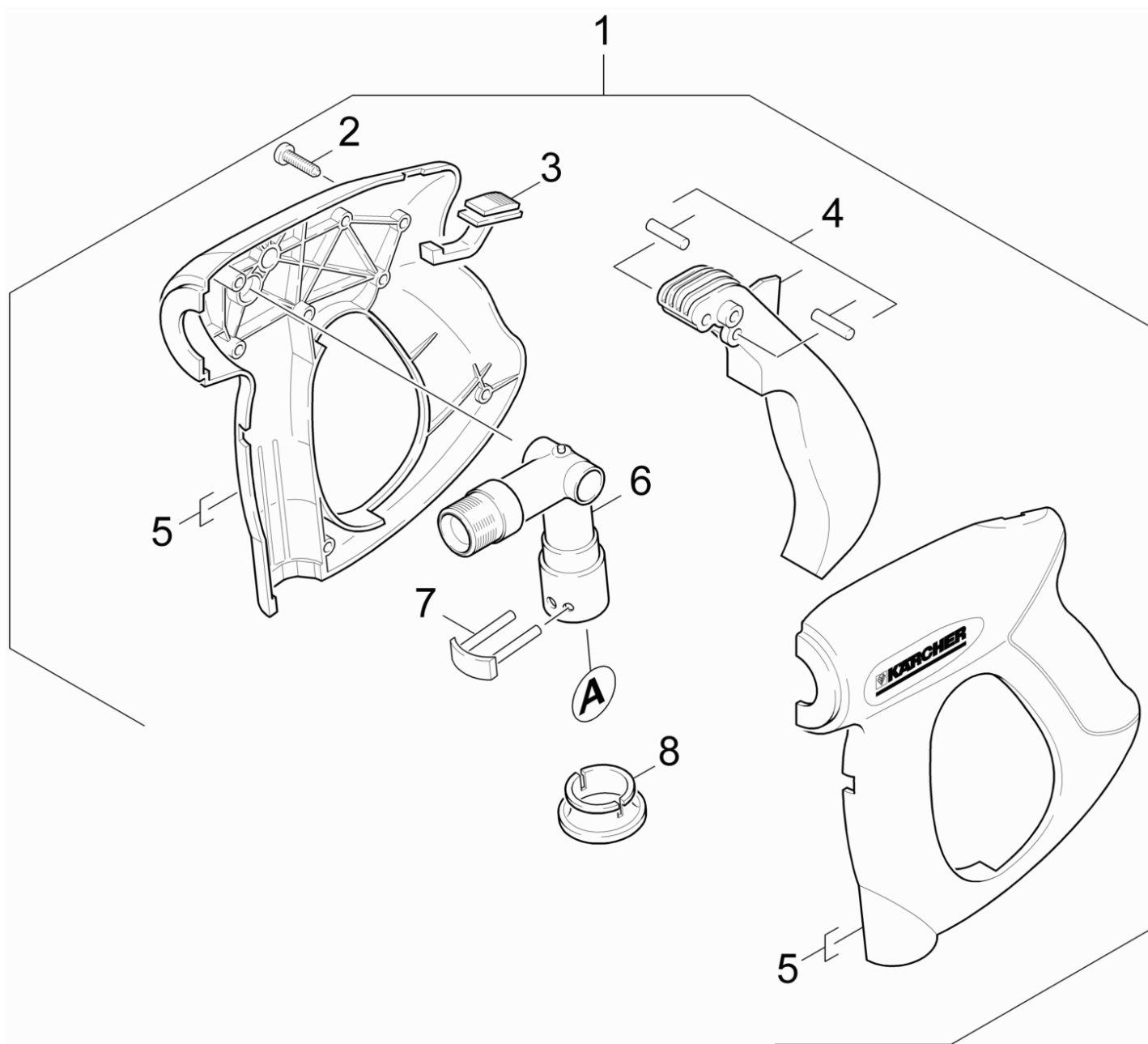
---

<b>POS</b>	<b>Article no.</b>	<b>Description</b>	<b>Quantity</b>	<b>Unit</b>
0	4.623-782.0	Motor complete only for replacement	1.000	ST
1	5.063-707.0	Bearing cover B	1.000	ST
2	5.600-046.0	Blower wheel	1.000	ST
3	7.312-260.0	Washer 6 -100HV-A3E ISO 7094	2.000	ST
4	7.306-092.0	Screw M6x20-ST- 8.8-R3R (IN6RD)	2.000	ST
5	7.318-079.0	Parallel key A 5x5x25-C45K DIN 6885	1.000	ST
6	6.303-265.0	Self-tapping screw M6x20	4.000	ST
7	6.401-285.0	Ball bearing 6204 2RS	1.000	ST
8	6.343-171.0	Tolerance ring	1.000	ST
9	5.767-005.0	Rubber buffer	4.000	ST

## 40 Accessories

---

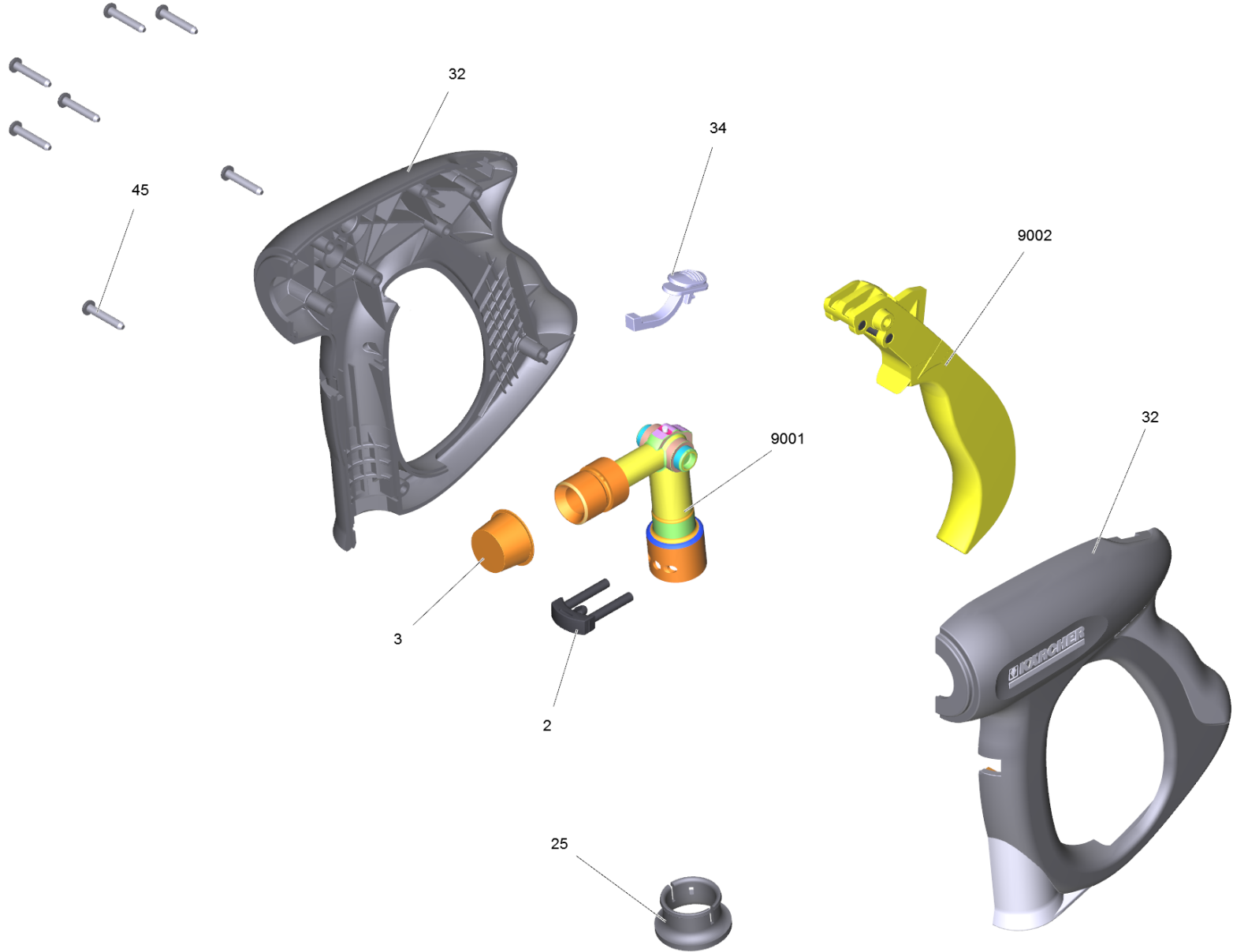
<b>POS</b>	<b>Description</b>	<b>Quantity</b>	<b>Unit</b>
41	Hand trigger gun	1.000	ST
42	Rotary controller	1.000	ST
43	High pressure hose	1.000	ST
44	Jet pipe	1.000	ST
45	Triple jet nozzle	1.000	ST
46	Dirt blaster	1.000	ST



## 41 Hand trigger gun

---

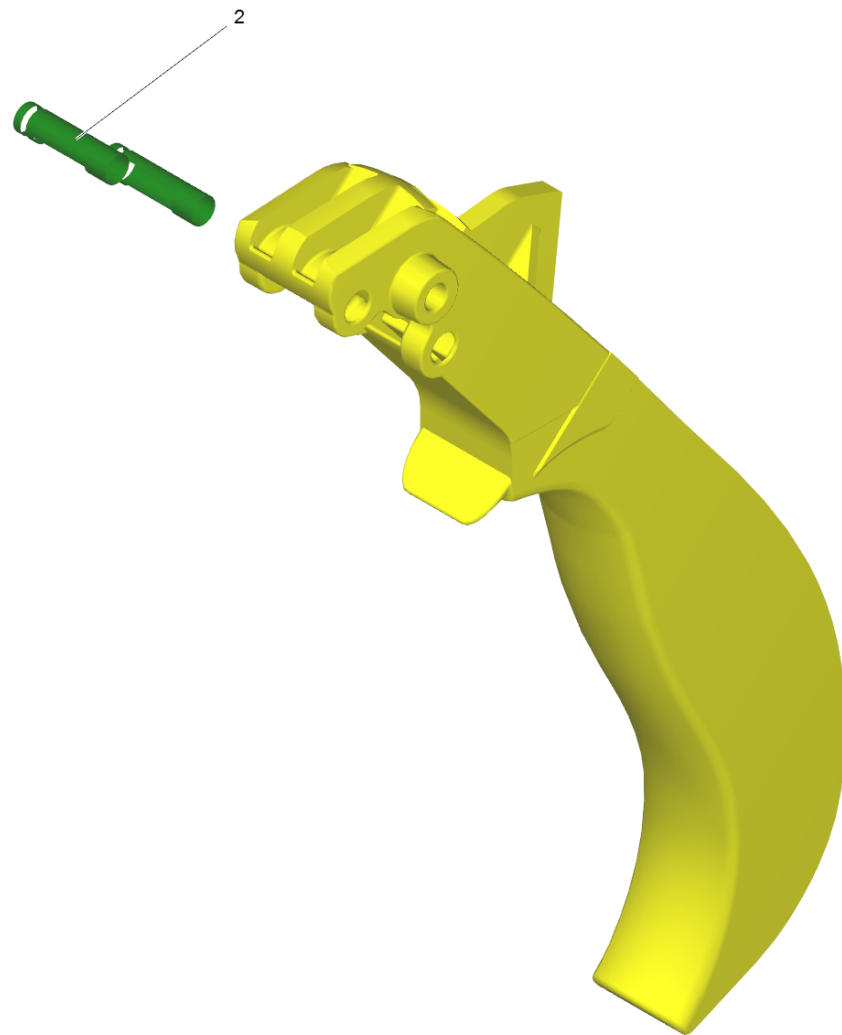
POS	Article no.	Description	Quantity	Unit
1	4.775-463.0	HAND TRIGGER GUN EASY PRESS	1.000	ST
2	7.303-096.0	Screw 4x22 -ST-10.9-R2R (IN6RD)	7.000	ST
3	5.481-331.0	Slider	1.000	ST
4	4.481-209.0	Lever complete	1.000	ST
5	5.321-669.3	Handhold few	1.000	ST
6	4.427-215.0	Manifold complete only for replacement	1.000	ST
7	4.037-013.0	Hook	1.000	ST
8	5.110-596.0	Sleeve	1.000	ST





## 1 HAND TRIGGER GUN EASY PRESS (4.775-463.0)

POS	Article no.	Description	Quantity	Unit
2	4.037-013.0	Hook	1.000	ST
3	6.368-012.0	Protecting cap 22X1,5	1.000	ST
4	6.869-075.0	Metal bonding agent 1,5 ml	1.000	ST
25	5.110-596.0	Sleeve	1.000	ST
32	5.321-669.3	Handhold few	1.000	ST
34	5.481-331.0	Slider	1.000	ST
45	7.303-096.0	Screw 4x22 -ST-10.9-R2R (IN6RD)	7.000	ST
1041	6.288-044.0	Silicon grease 100 G	1.000	ST
9001	4.427-215.0	Manifold complete only for replacement	1.000	ST
9002	4.481-209.0	Lever complete	1.000	ST

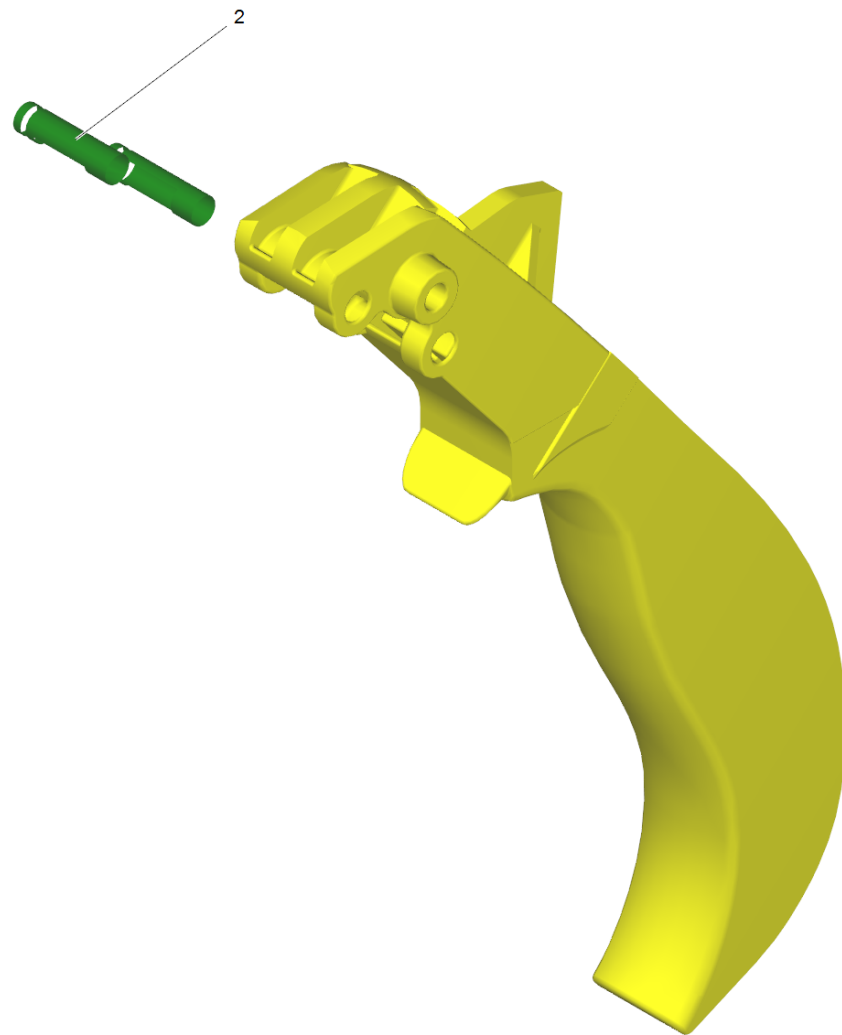


9002 Lever complete (4.481-209.0)

---

<b>POS</b>	<b>Article no.</b>	<b>Description</b>	<b>Quantity</b>	<b>Unit</b>
2	5.314-119.0	Pin	2.000	ST

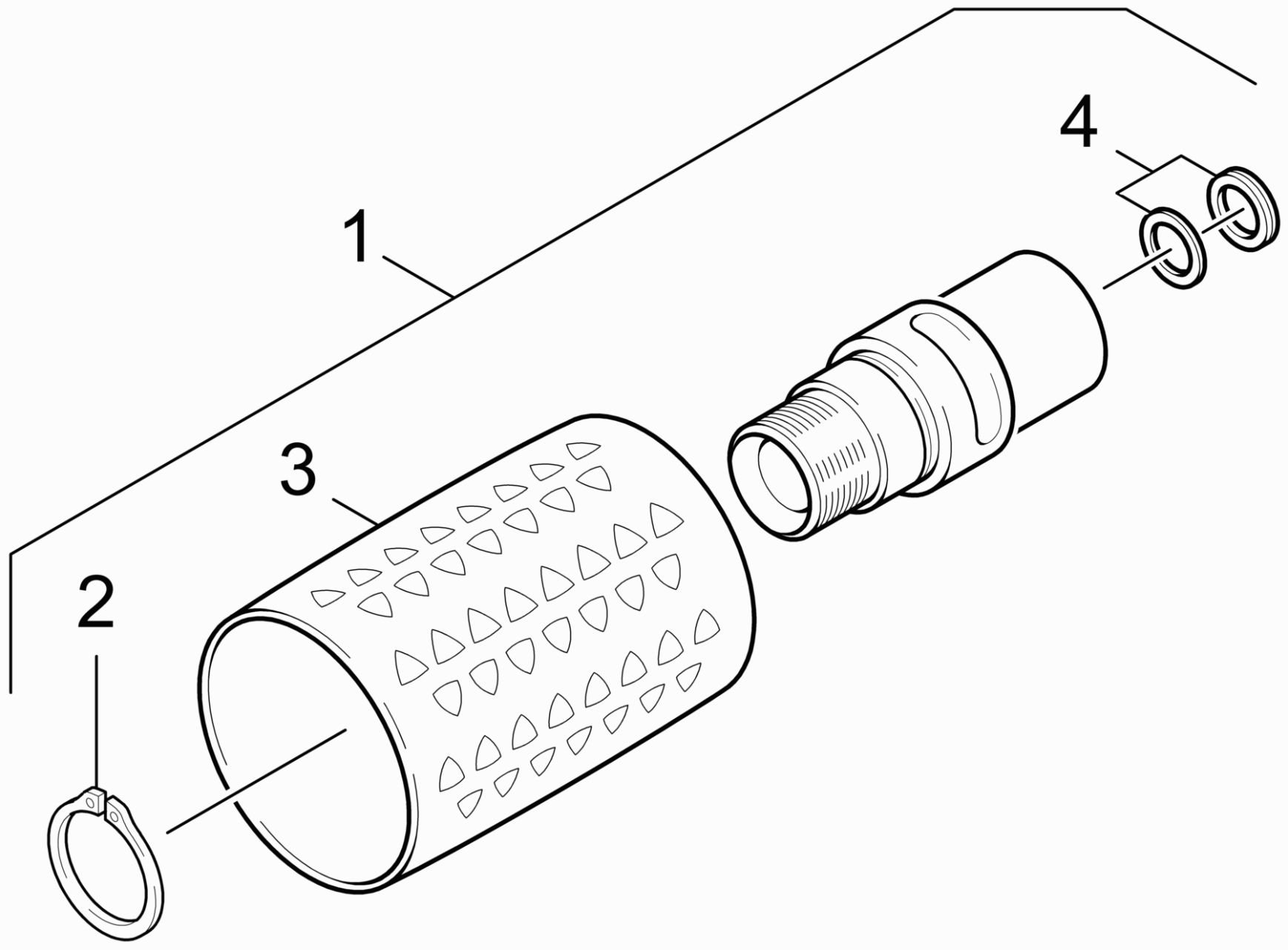
---



4 Lever complete (4.481-209.0)

---

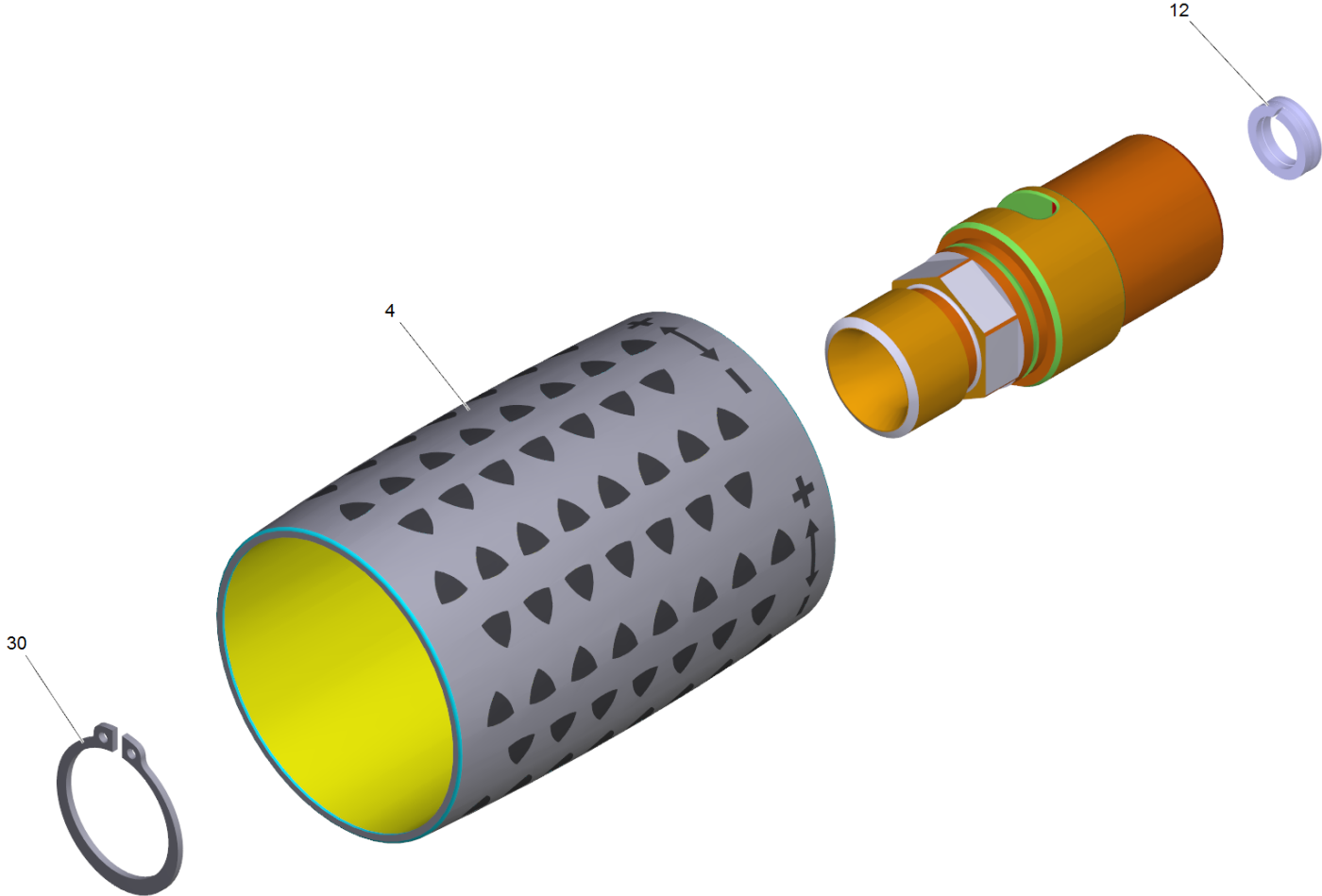
POS	Article no.	Description	Quantity	Unit
2	5.314-119.0	Pin	2.000	ST



## 42 Rotary controller

---

<b>POS</b>	<b>Article no.</b>	<b>Description</b>	<b>Quantity</b>	<b>Unit</b>
1	4.775-470.0	Rotary controller 416L	1.000	ST
2	7.343-008.0	Locking ring 25x1,2-St-vz DIN 471	1.000	ST
3	5.321-668.0	Handle	1.000	ST
4	4.363-695.0	Grooved ring only for replacement	1.000	ST

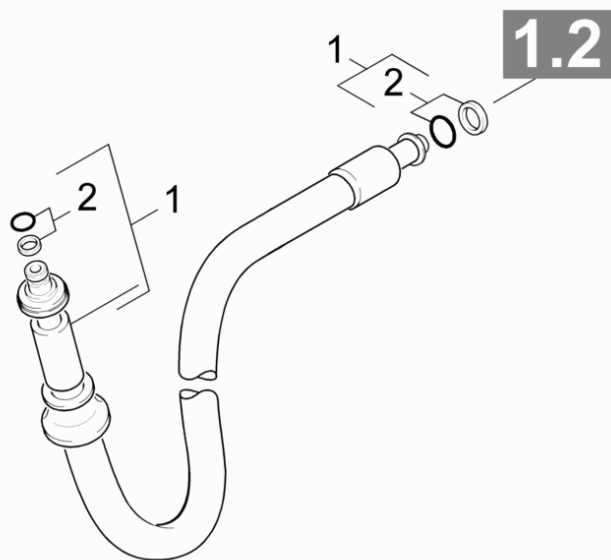




1 Rotary controller 416L (4.775-470.0)

---

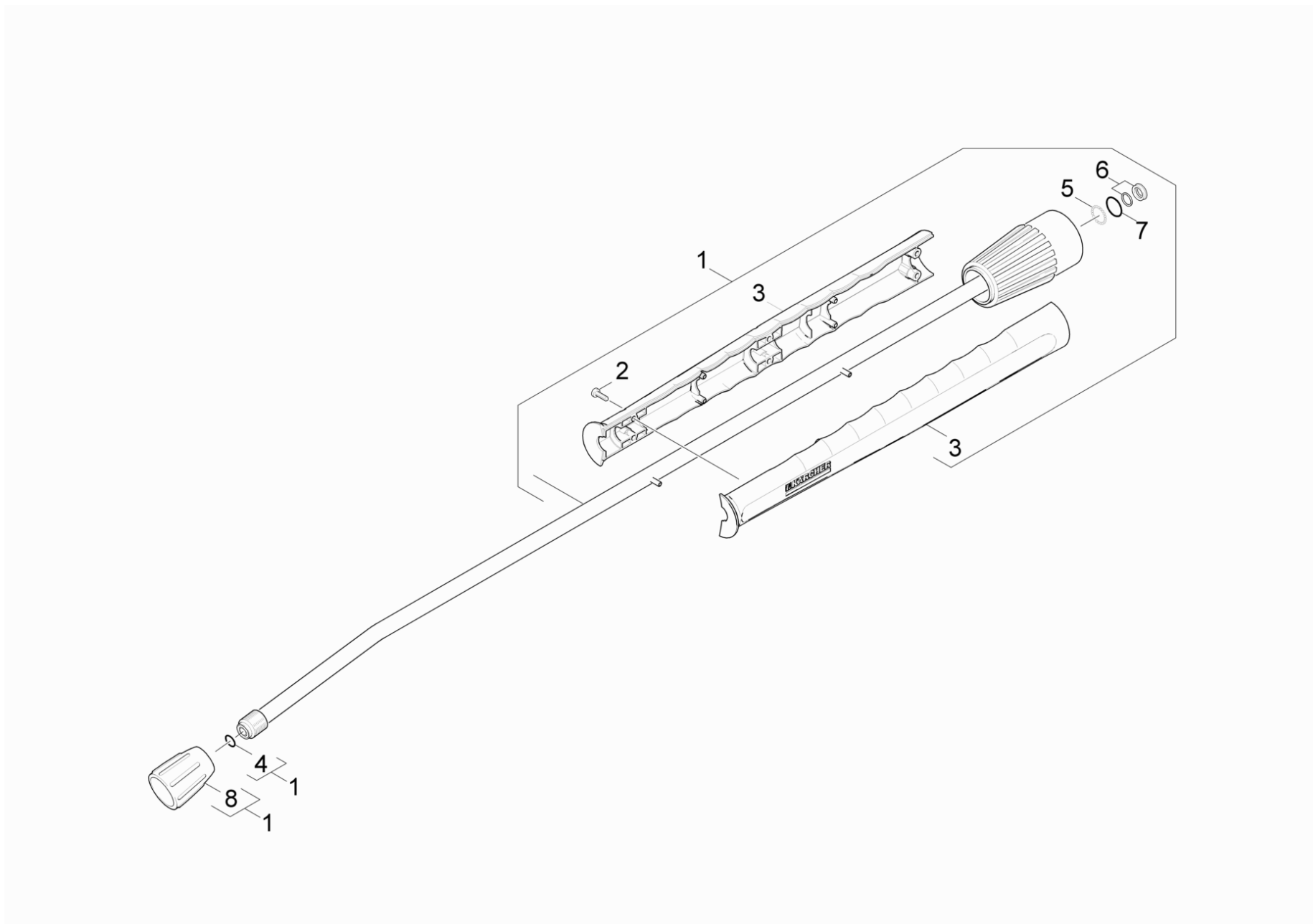
<b>POS</b>	<b>Article no.</b>	<b>Description</b>	<b>Quantity</b>	<b>Unit</b>
4	5.321-668.0	Handle	1.000	ST
12	6.362-064.0	Quad joint ring 9.19x2.62	1.000	ST
30	7.343-069.0	Locking ring 25x1,2-1.4122 DIN 471	1.000	ST



## 43 High pressure hose

---

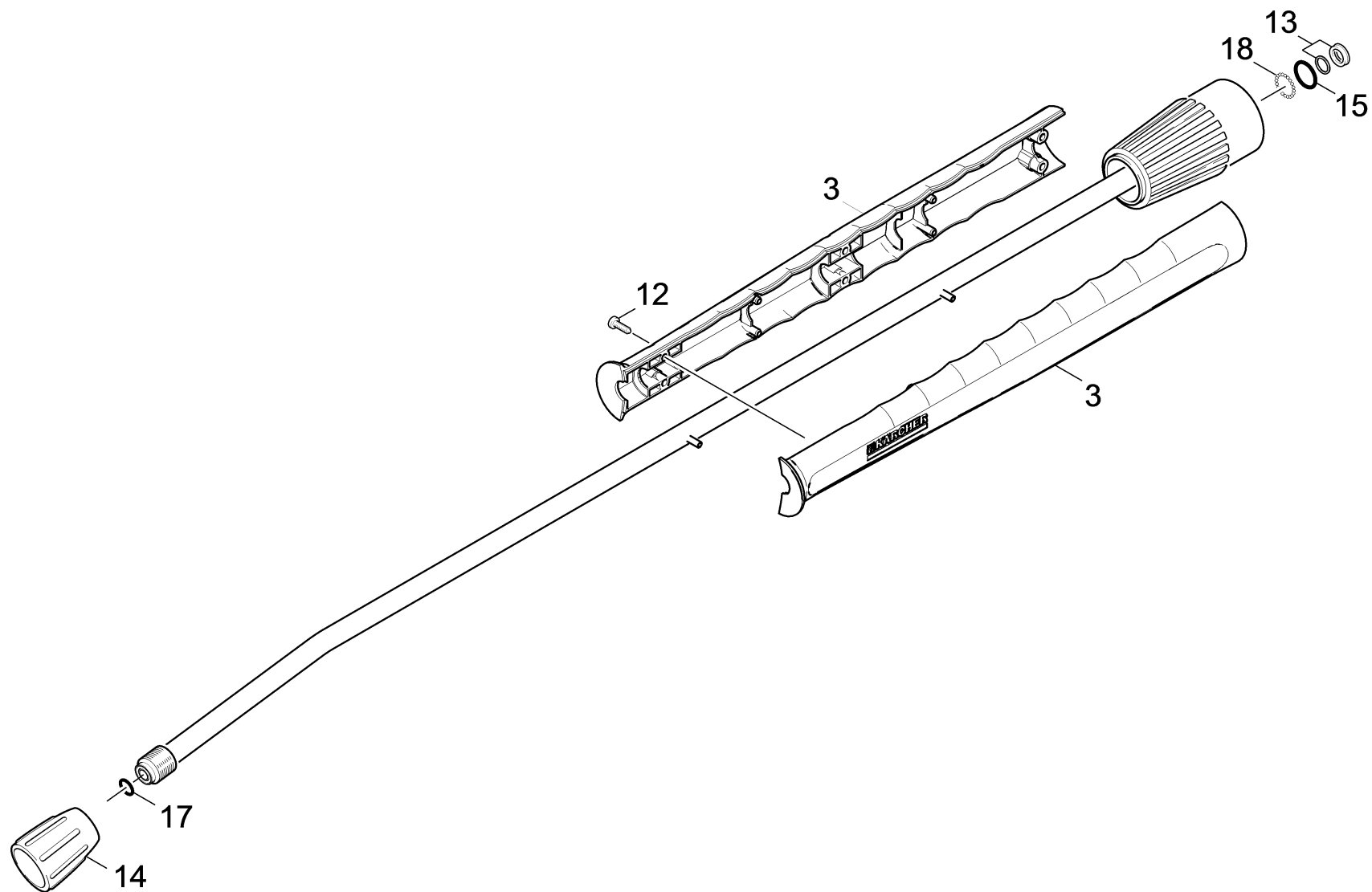
<b>POS</b>	<b>Article no.</b>	<b>Description</b>	<b>Quantity</b>	<b>Unit</b>
1	6.391-417.0	Hose assembly standard DN6 25MPa 15m	1.000	ST
2	4.363-691.0	O-Ring seal kpl. -nur fuer Ersatz-	2.000	ST



## 44 Jet pipe

---

POS	Article no.	Description	Quantity	Unit
1	4.760-660.0	Jet pipe packaged only for replacement	1.000	ST
2	7.303-129.0	Screw 4x16 -10.9-R2R (K-In6Rd)	6.000	ST
3	5.321-855.0	Handhold few jet pipe with welding bolt	1.000	ST
4	2.880-990.0	Spare part set O-Ring 5x -Kaercher	1.000	ST
5	7.401-915.0	Sphere 2,5 G40 -1.4034 DIN 5401	20.000	ST
6	4.363-692.0	Grooved ring kpl. -nur fuer Ersatz-	1.000	ST
7	6.362-524.0	O-Ring seal 17,0 X 1,5	1.000	ST
8	5.401-210.0	Screw connector part	1.000	ST



1 Jet pipe packaged only for replacement (4.760-660.0)

POS	Article no.	Description	Quantity	Unit
3	5.321-855.0	Handhold few jet pipe with welding bolt	1.000	ST
12	7.303-129.0	Screw 4x16 -10.9-R2R (K-In6Rd)	6.000	ST
13	4.363-692.0	Grooved ring kpl. -nur fuer Ersatz-	1.000	ST
14	5.401-210.0	Screw connector part	1.000	ST
15	6.362-524.0	O-Ring seal 17,0 X 1,5	1.000	ST
17	2.880-990.0	Spare part set O-Ring 5x -Kaercher	1.000	ST
18	7.401-915.0	Sphere 2,5 G40 -1.4034 DIN 5401	1.000	ST

14 Screw connector part (5.401-210.0)

---

POS	Description	Quantity	Unit
10	SCREW CONNECTOR PART	1.000	ST

---

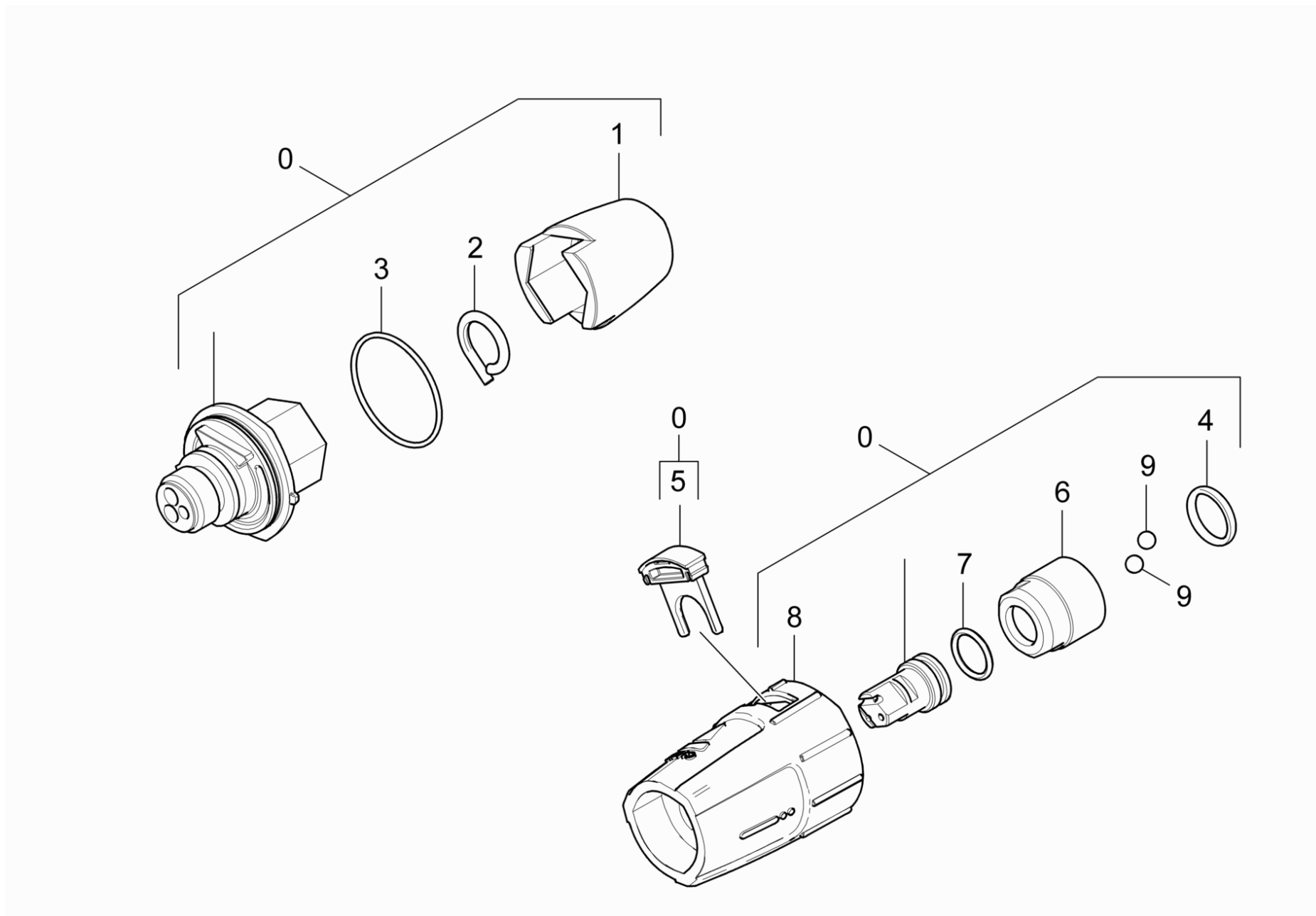


8 Screw connector part (5.401-210.0)

---

<b>POS</b>	<b>Description</b>	<b>Quantity</b>	<b>Unit</b>
10	SCREW CONNECTOR PART	1.000	ST

---



## 45 Triple jet nozzle

---

<b>POS</b>	<b>Article no.</b>	<b>Description</b>	<b>Quantity</b>	<b>Unit</b>
0	4.767-155.0	Triple jet nozzle only for replacement 0	1.000	ST
1	5.394-530.0	Protection part complete	1.000	ST
2	6.343-150.0	Pin 03	1.000	ST
3	6.362-409.0	O-Ring seal 32,0 X 1,5	1.000	ST
4	6.362-460.0	O-Ring seal 14,0 X 2,5-NBR 70	1.000	ST
5	5.321-884.0	Clamp	1.000	ST
6	5.311-225.0	Nut	1.000	ST
7	6.362-480.0	O-Ring seal 12,42x 1,78	1.000	ST
8	5.394-859.0	Protection part	1.000	ST
9	7.401-902.0	Sphere 5 G20 -1.4034 DIN 5401	2.000	ST

Triple jet nozzle only for replacement 0 (4.767-155.0)

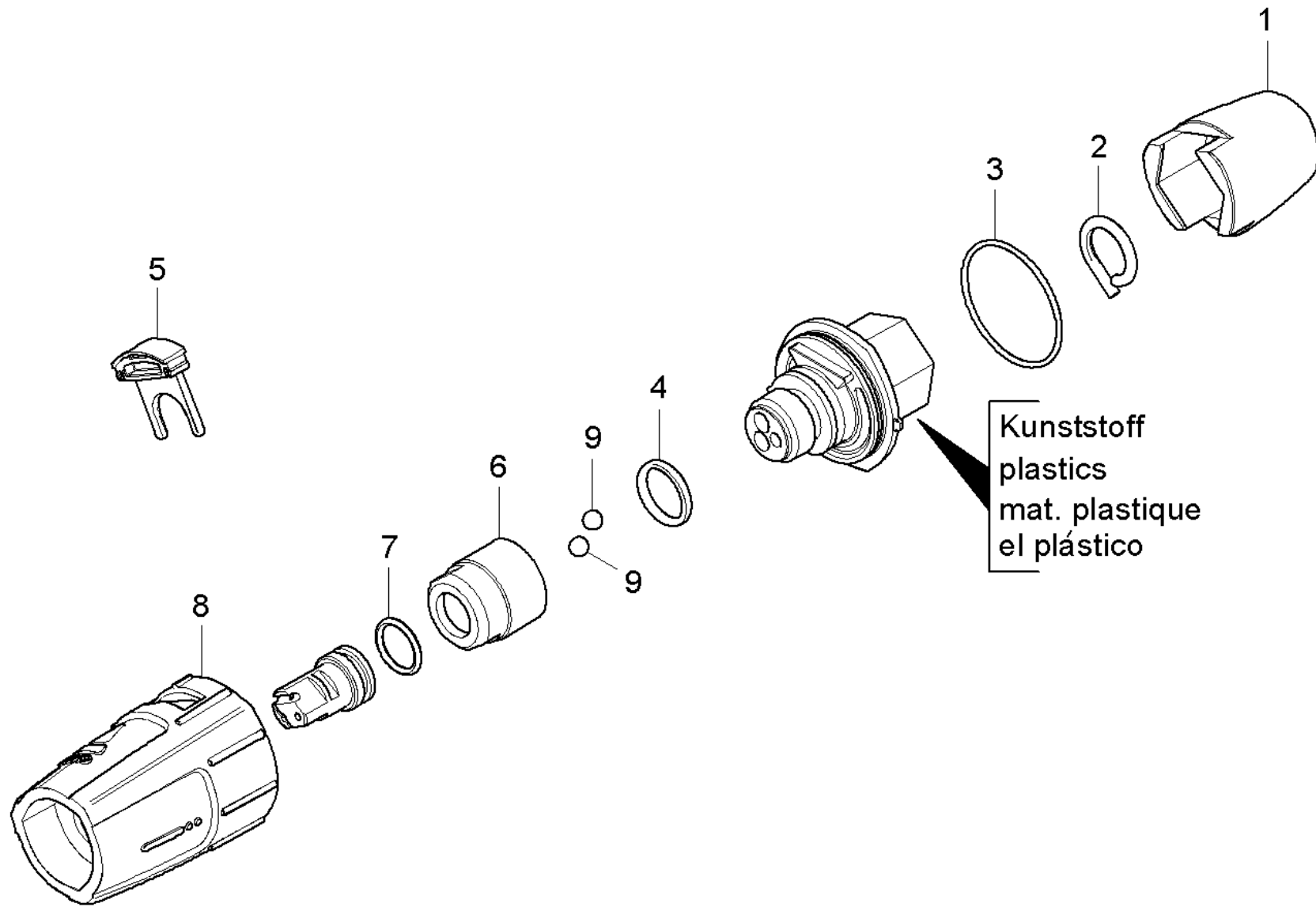
---

POS	Article no.	Description	Quantity	Unit
2Z	5.970-837.0	Spare parts list triple jet nozzle	1.000	ST

2Z Spare parts list triple jet nozzle (5.970-837.0)

---

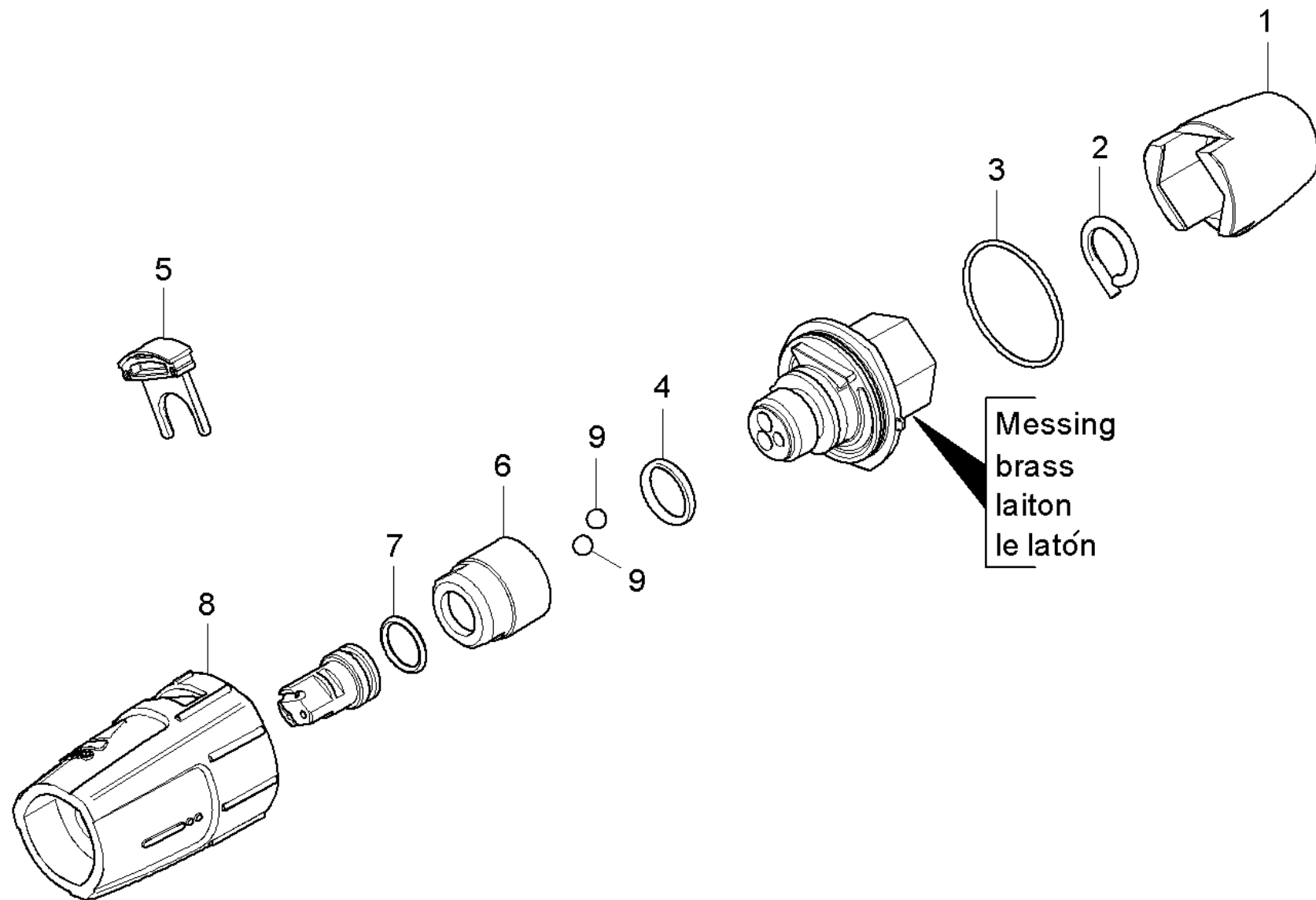
<b>POS</b>	<b>Description</b>	<b>Quantity</b>	<b>Unit</b>
10	Triple jet nozzle plastics	1.000	ST
20	Triple jet nozzle brass	1.000	ST



## 10 Triple jet nozzle plastics

---

<b>POS</b>	<b>Article no.</b>	<b>Description</b>	<b>Quantity</b>	<b>Unit</b>
1	5.394-530.0	Protection part complete	1.000	ST
2	6.343-150.0	Pin 03	1.000	ST
3	6.362-409.0	O-Ring seal 32,0 X 1,5	1.000	ST
4	7.362-039.0	O-Ring seal 15,5x1,5 -NBR70 DIN 3771	1.000	ST
5	5.321-884.0	Clamp	1.000	ST
6	5.311-236.0	Nut	1.000	ST
7	6.362-480.0	O-Ring seal 12,42x 1,78	1.000	ST
8	5.394-874.0	Protection part	1.000	ST
9	7.401-902.0	Sphere 5 G20 -1.4034 DIN 5401	2.000	ST

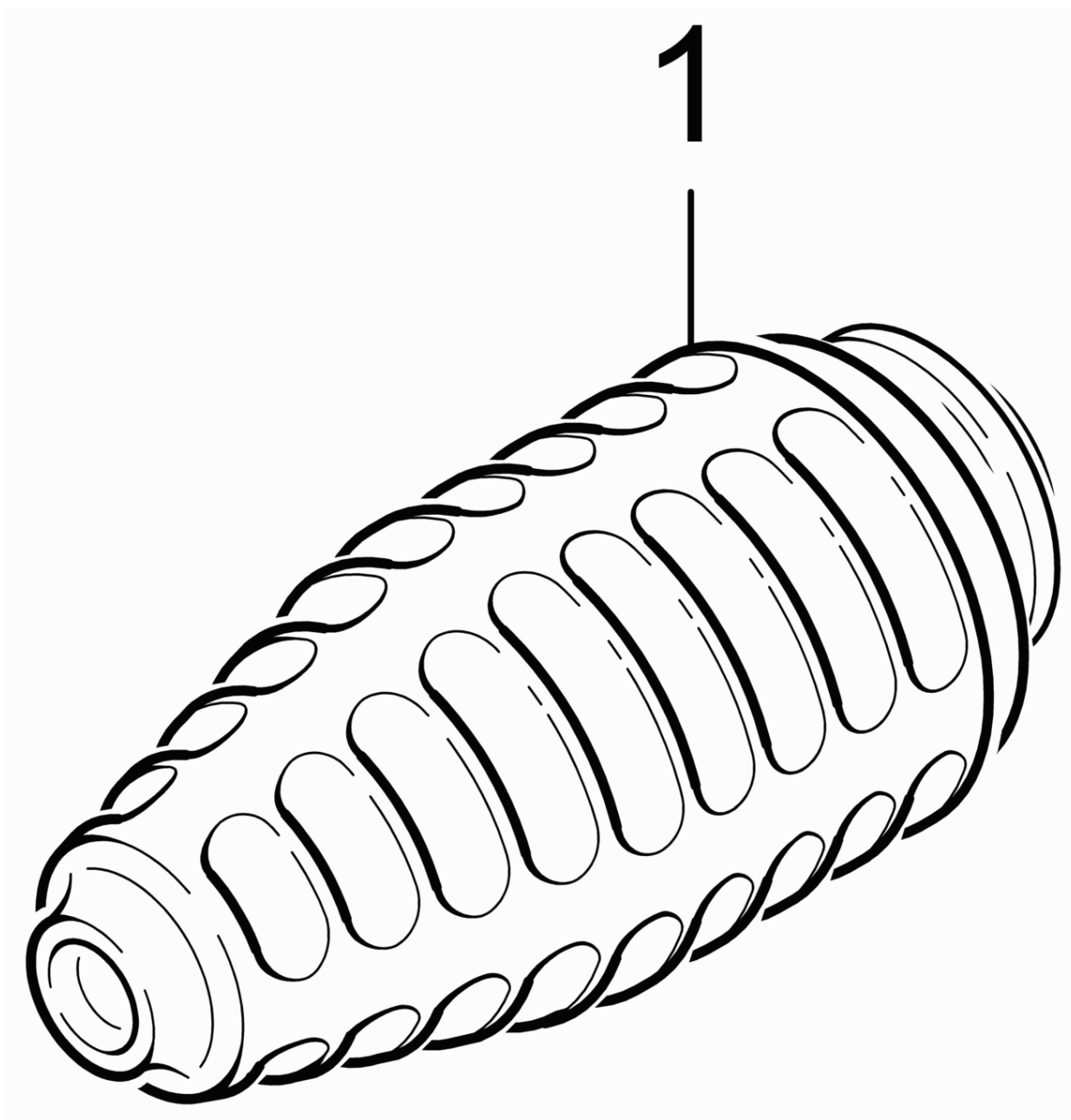




## 20 Triple jet nozzle brass

---

<b>POS</b>	<b>Article no.</b>	<b>Description</b>	<b>Quantity</b>	<b>Unit</b>
1	5.394-530.0	Protection part complete	1.000	ST
2	6.343-150.0	Pin 03	1.000	ST
3	6.362-409.0	O-Ring seal 32,0 X 1,5	1.000	ST
4	6.362-460.0	O-Ring seal 14,0 X 2,5-NBR 70	1.000	ST
5	5.321-884.0	Clamp	1.000	ST
6	5.311-225.0	Nut	1.000	ST
7	6.362-480.0	O-Ring seal 12,42x 1,78	1.000	ST
8	5.394-859.0	Protection part	1.000	ST
9	7.401-902.0	Sphere 5 G20 -1.4034 DIN 5401	2.000	ST



## 46 Dirt blaster

---

<b>POS</b>	<b>Article no.</b>	<b>Description</b>	<b>Quantity</b>	<b>Unit</b>
1	4.763-250.0	Dirt blaster 055/06	1.000	ST
100	2.883-473.0	Spare part set dirt blaster 055/06	1.000	ST

1 Dirt blaster 055/06 (4.763-250.0)

---

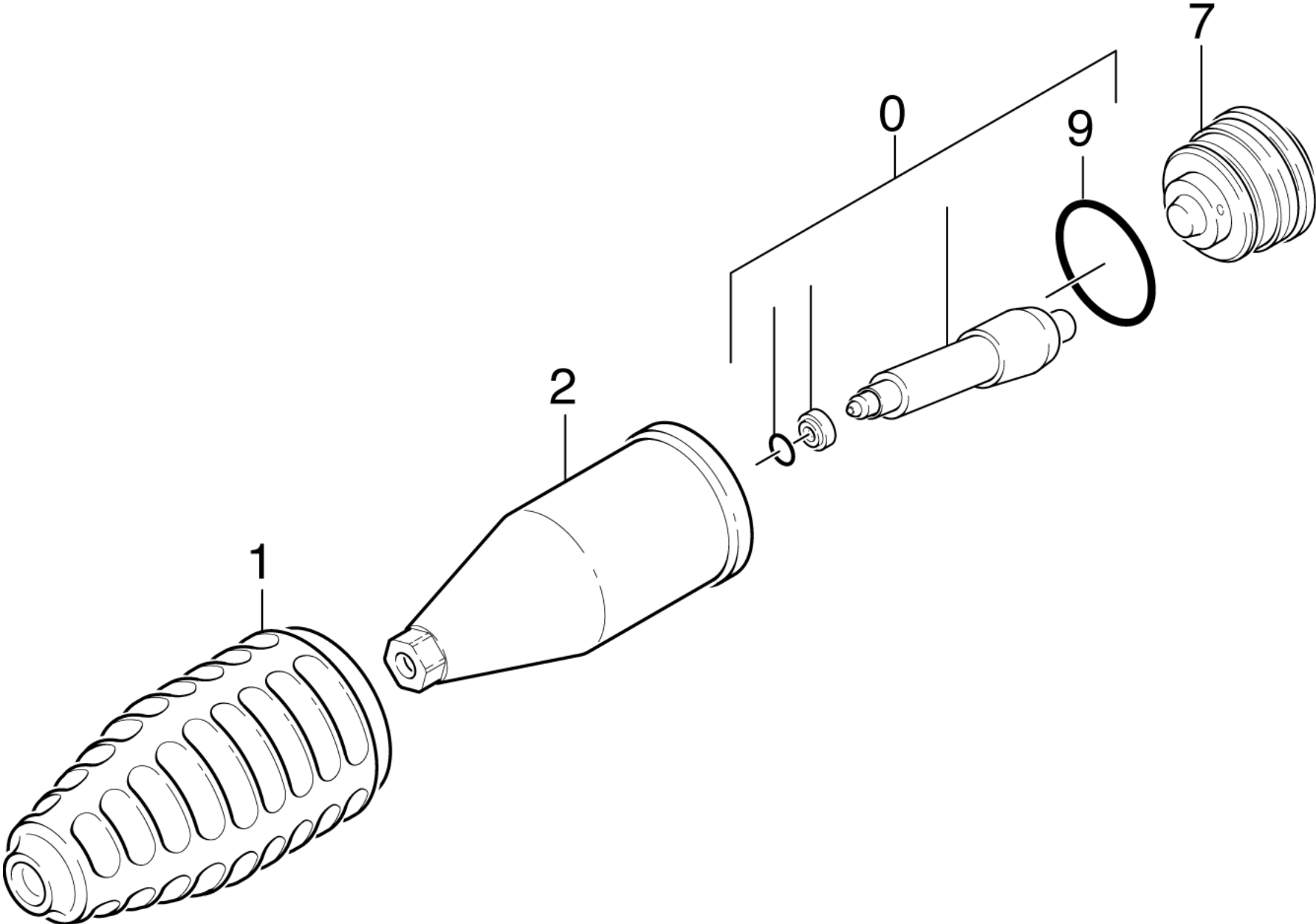
POS	Article no.	Description	Quantity	Unit
11	5.955-641.0	Spare parts list dirt blaster	1.000	ST

11 Spare parts list dirt blaster (5.955-641.0)

---

<b>POS</b>	<b>Description</b>	<b>Quantity</b>	<b>Unit</b>
10	Dirt blaster	1.000	ST

---



## 10 Dirt blaster

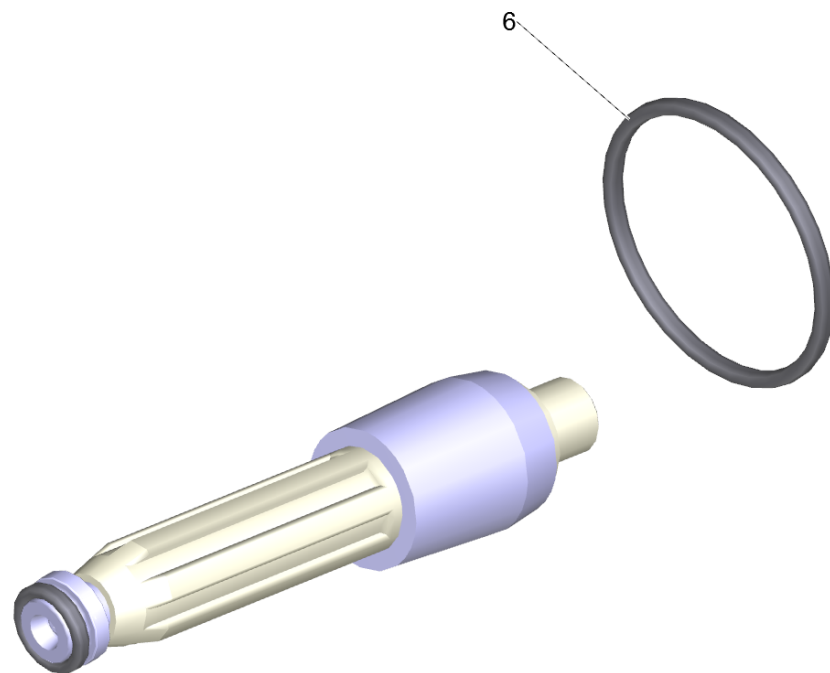
POS	Article no.	Description	Quantity	Unit	Remark
0	2.884-113.0	Spare part set dirt blaster 045	1.000	ST	4.763-988.0
		<b>Item text1:</b> / 4.763-988.0			
0	2.884-052.0	Spare part set dirt blaster 035	1.000	ST	4.763-931.0
		<b>Item text1:</b> / 4.763-931.0			
0	2.884-114.0	Spare part set dirt blaster 065	1.000	ST	4.763-989.0
		<b>Item text1:</b> / 4.763-989.0			
0	2.884-316.0	Spare part set dirt blaster 09	1.000	ST	
		<b>Item text1:</b> / 4.767-076.0			
0	2.881-025.0	Spare part set rotor 170	1.000	ST	4.764-201.0
0	2.884-051.0	Spare part set dirt blaster 120	1.000	ST	4.763-930.0
		<b>Item text1:</b> / 4.763-930.0			
0	2.885-196.0	Spare parts set rotor 100	1.000	ST	4.764-208.0
0		Spare part set rotor 125	1.000	ST	4.764-204.0
0	2.883-471.0	Spare part set dirt blaster 04-HD 1050	1.000	ST	4.763-252.0
		<b>Item text1:</b> / 4.763-252.0			
0	2.883-472.0	Spare part set dirt blaster 05	1.000	ST	4.763-253.0
		<b>Item text1:</b> / 4.763-253.0			
0	2.883-473.0	Spare part set dirt blaster 055/06	1.000	ST	4.763-250.0
		<b>Item text1:</b> / 4.763-250.0			
0	2.883-474.0	Spare part set dirt blaster 07/08-HDS 8	1.000	ST	4.763-254.0
		<b>Item text1:</b> / 4.763-254.0			
1	5.394-375.0	Protection part	1.000	ST	
2	5.060-500.3	Housing	1.000	ST	
7	5.063-709.0	Cover	1.000	ST	
		<b>Item text1:</b> / 4.763-931.0			
7	5.064-357.0	Cover high-pressure 25/15-4	1.000	ST	4.764-201.0 / 4.764-208.0
7		Cover high-pressure 20/15	1.000	ST	4.764-204.0
7	5.063-708.0	Cover	1.000	ST	
		<b>Item text1:</b> / 4.763-930.0			
7	5.063-618.0	Cover DGR F 055/F 06	1.000	ST	4.763-250/-938
		<b>Item text1:</b> / 4.763-250.0			
7	5.063-626.0	Cover DGR F 04	1.000	ST	4.763-252/-936
		<b>Item text1:</b> / 4.763-252.0			

## 10 Dirt blaster

---

POS	Article no.	Description	Quantity	Unit	Remark
7	5.063-647.0	Cover DGR F 05	1.000	ST	
	<b>Item text1:</b> / 4.763-253.0				
7	5.063-648.0	Cover DGR F 70/F 08	1.000	ST	
	<b>Item text1:</b> / 4.763-254.0 / 4.767-076.0				
9	6.362-463.0	O-Ring seal 28,0 X 2,0-NBR 78	1.000	ST	

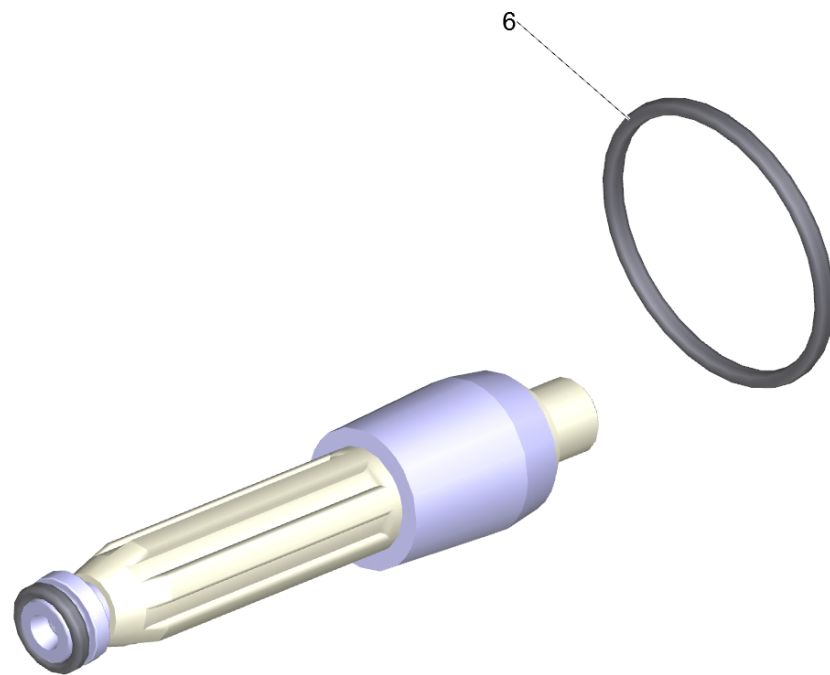




Spare part set rotor 170 (2.881-025.0)

---

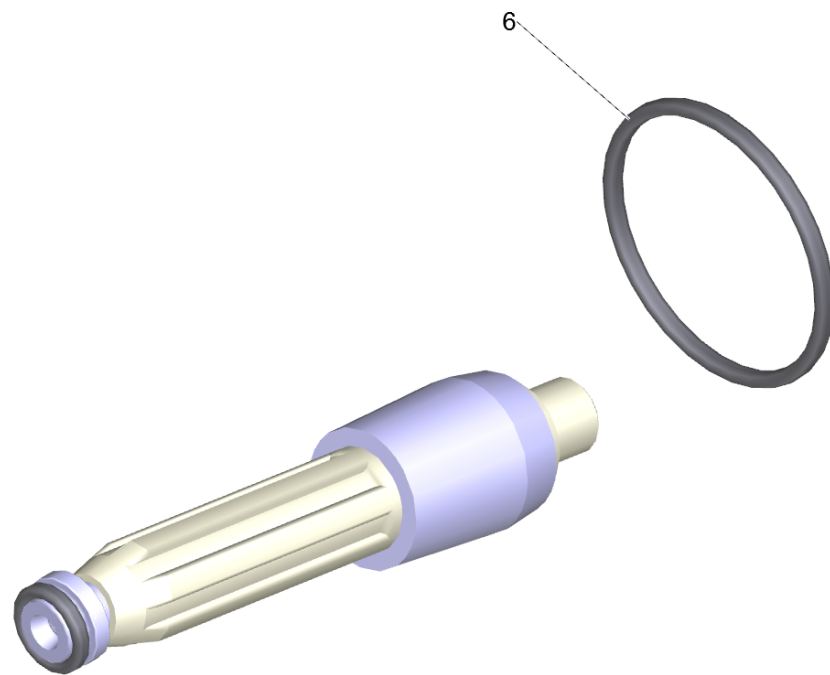
POS	Article no.	Description	Quantity	Unit
6	6.362-463.0	O-Ring seal 28,0 X 2,0-NBR 78	1.000	ST



Spare part set dirt blaster 04-HD 1050 (2.883-471.0)

---

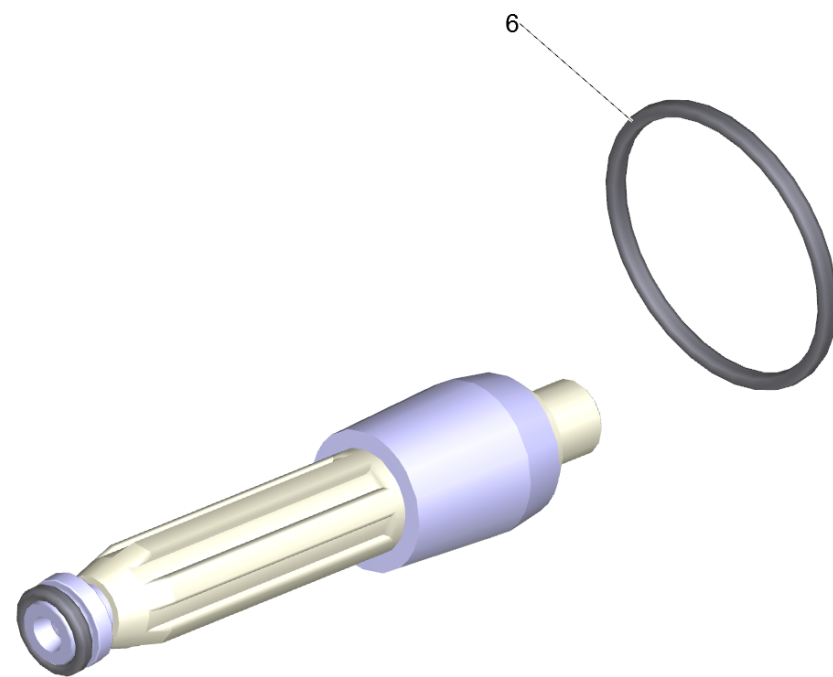
POS	Article no.	Description	Quantity	Unit
6	6.362-463.0	O-Ring seal 28,0 X 2,0-NBR 78	1.000	ST



Spare part set dirt blaster 05 (2.883-472.0)

---

<b>POS</b>	<b>Article no.</b>	<b>Description</b>	<b>Quantity</b>	<b>Unit</b>
6	6.362-463.0	O-Ring seal 28,0 X 2,0-NBR 78	1.000	ST

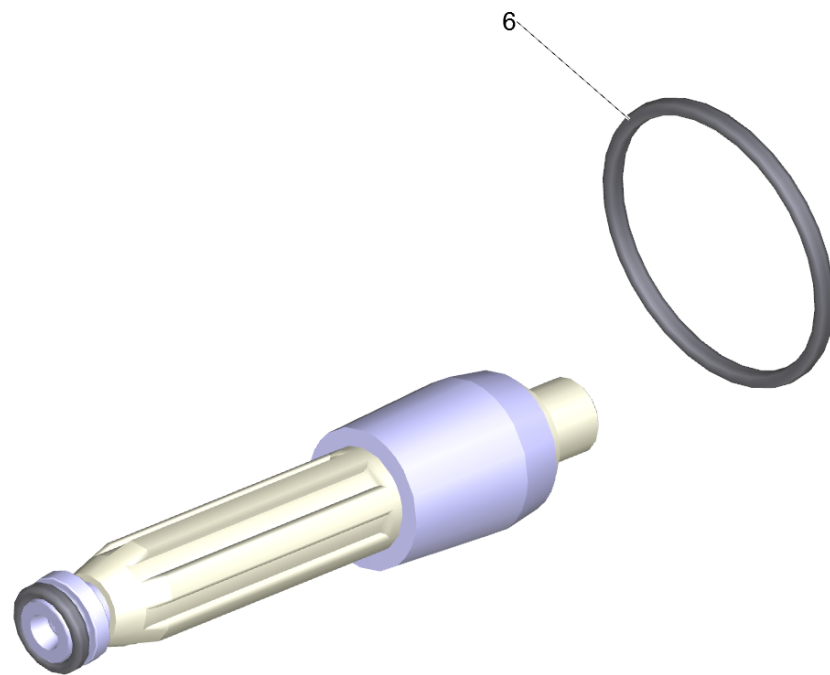


Spare part set dirt blaster 055/06 (2.883-473.0)

---

POS	Article no.	Description	Quantity	Unit
6	6.362-463.0	O-Ring seal 28,0 X 2,0-NBR 78	1.000	ST

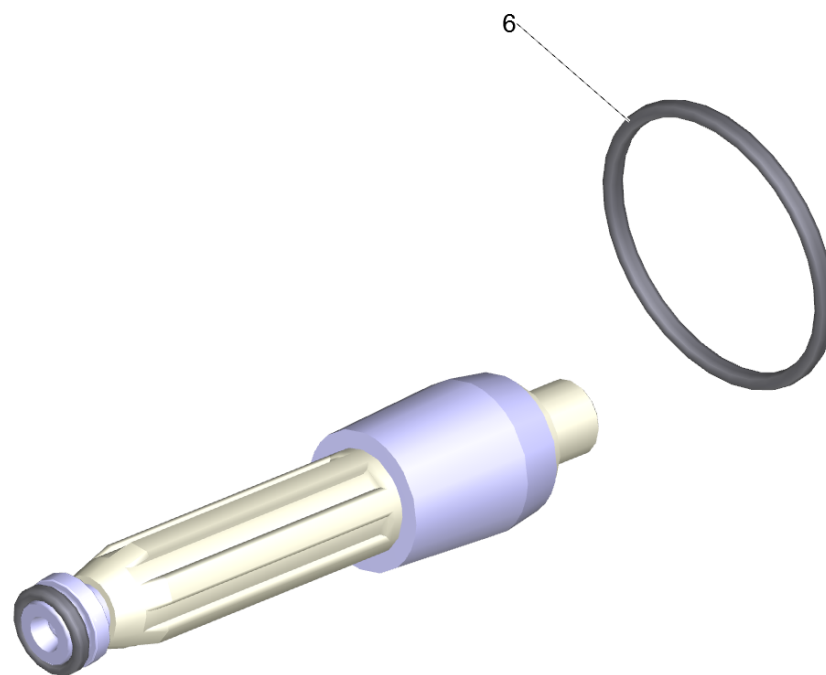




Spare part set dirt blaster 07/08-HDS 8 (2.883-474.0)

---

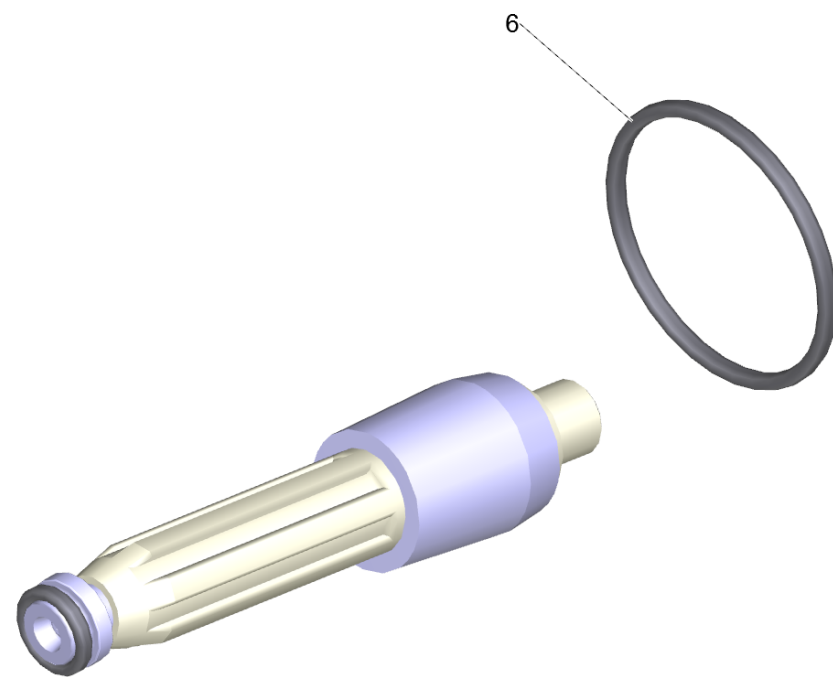
POS	Article no.	Description	Quantity	Unit
6	6.362-463.0	O-Ring seal 28,0 X 2,0-NBR 78	1.000	ST



Spare part set dirt blaster 120 (2.884-051.0)

---

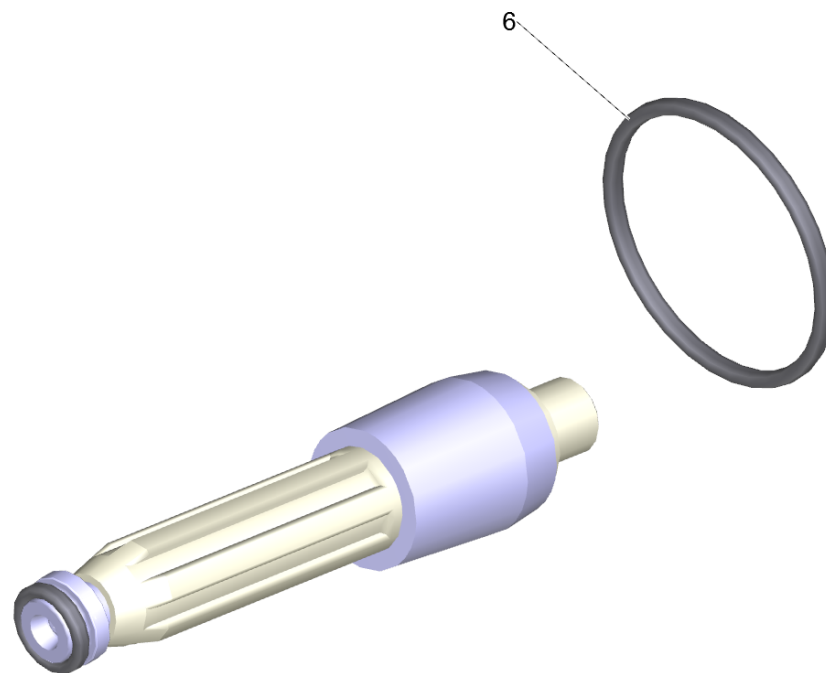
POS	Article no.	Description	Quantity	Unit
6	6.362-463.0	O-Ring seal 28,0 X 2,0-NBR 78	1.000	ST



Spare part set dirt blaster 035 (2.884-052.0)

---

POS	Article no.	Description	Quantity	Unit
6	6.362-463.0	O-Ring seal 28,0 X 2,0-NBR 78	1.000	ST

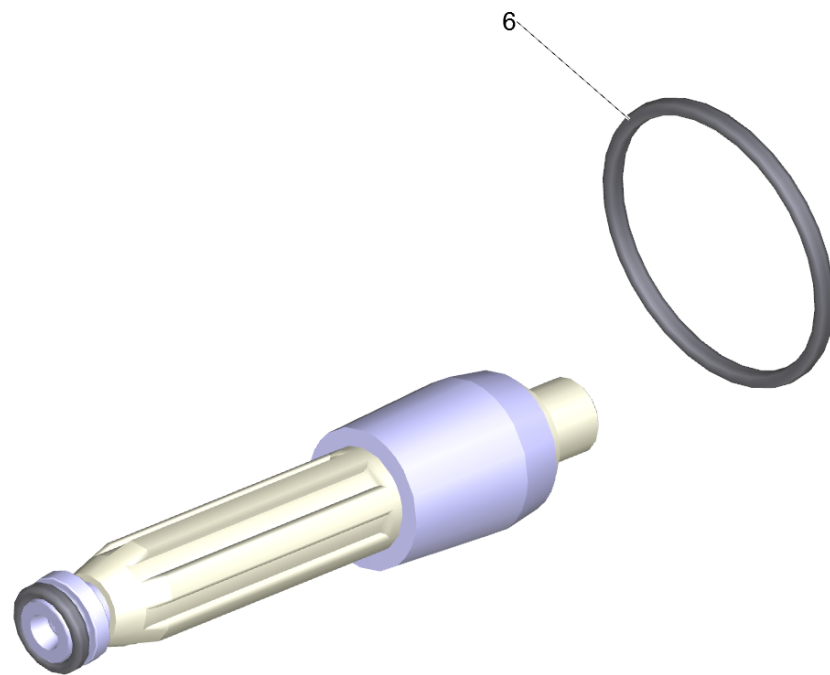


Spare part set dirt blaster 045 (2.884-113.0)

---

POS	Article no.	Description	Quantity	Unit
6	6.362-463.0	O-Ring seal 28,0 X 2,0-NBR 78	1.000	ST

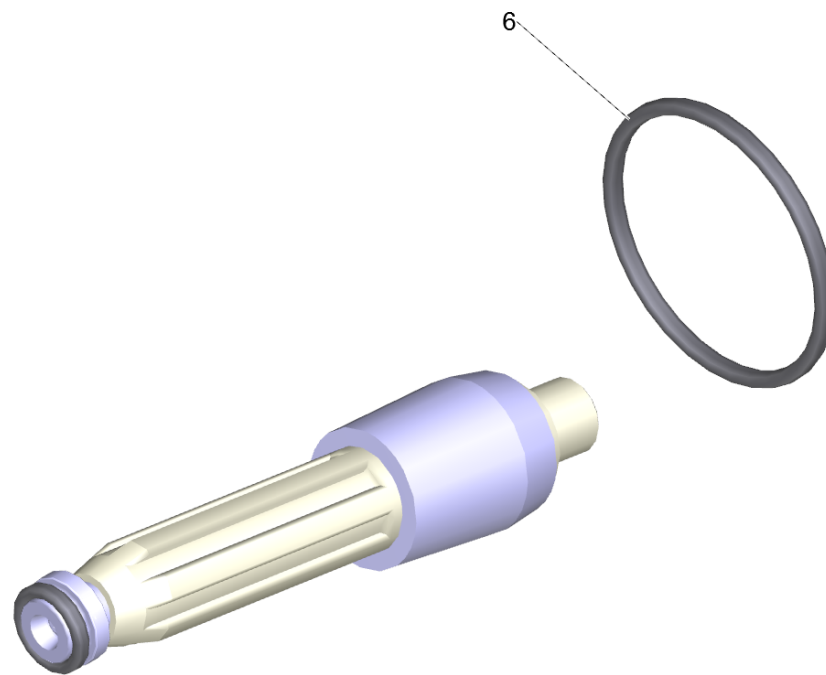




Spare part set dirt blaster 09 (2.884-316.0)

---

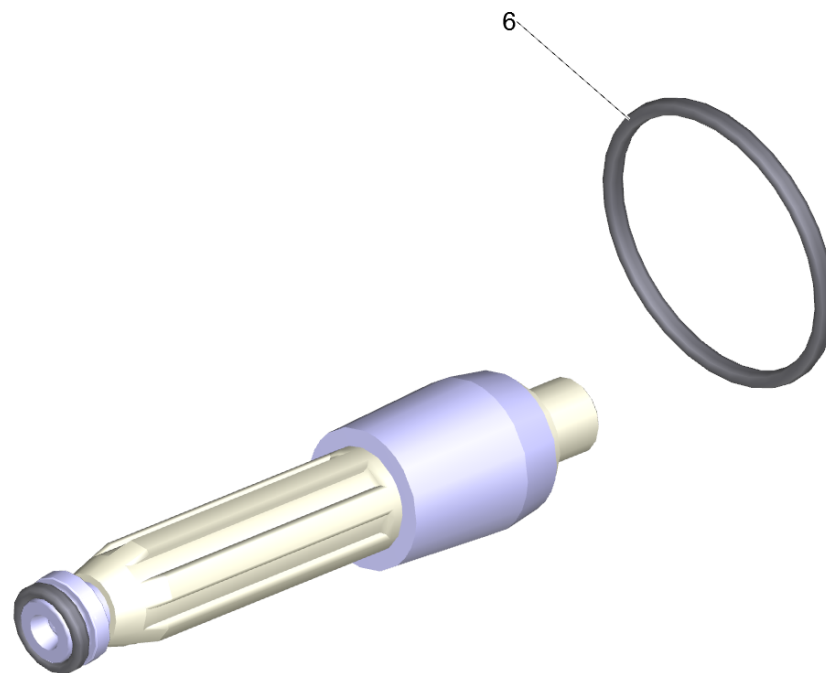
POS	Article no.	Description	Quantity	Unit
6	6.362-463.0	O-Ring seal 28,0 X 2,0-NBR 78	1.000	ST



Spare parts set rotor 100 (2.885-196.0)

---

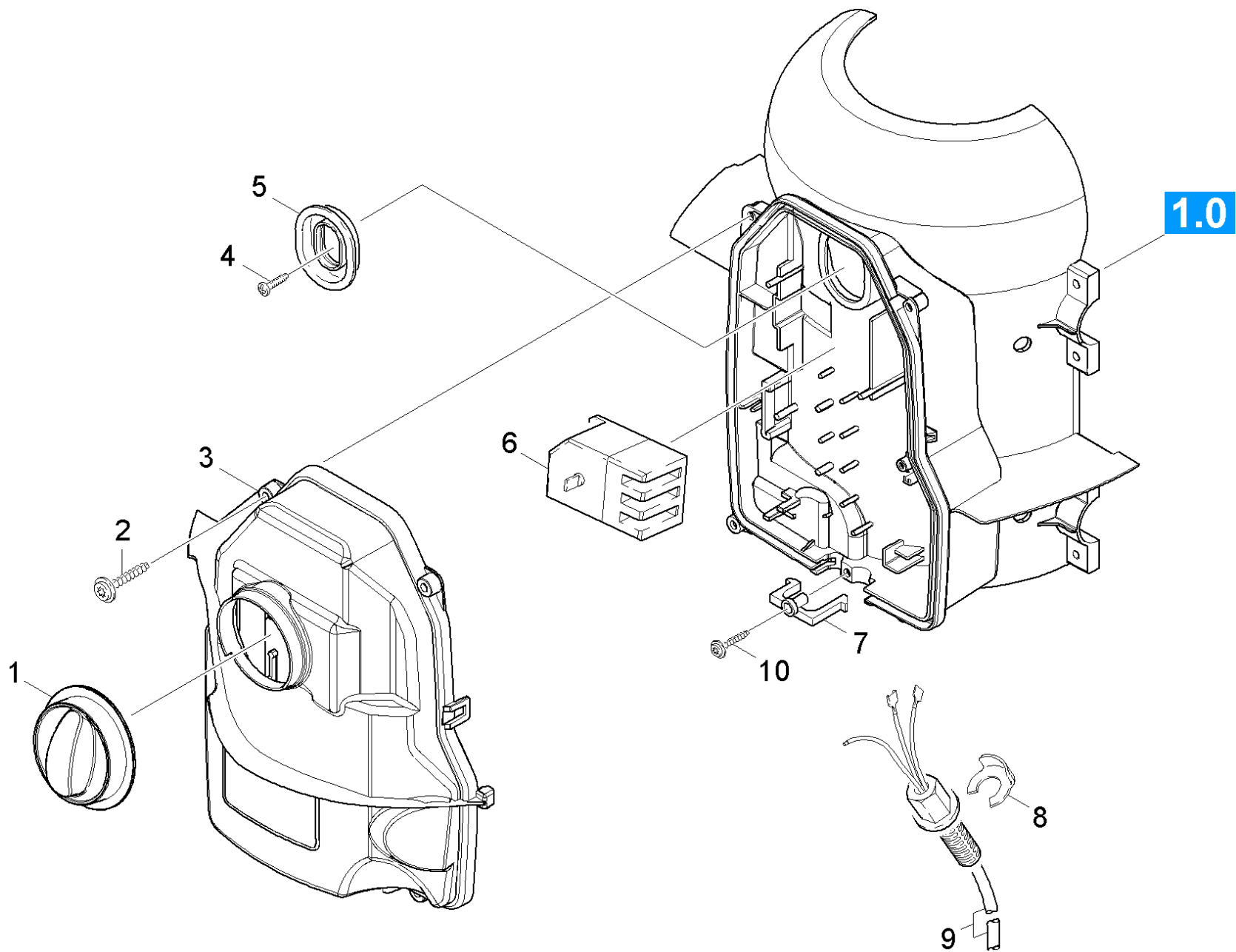
POS	Article no.	Description	Quantity	Unit
6	6.362-463.0	O-Ring seal 28,0 X 2,0-NBR 78	1.000	ST



100 Spare part set dirt blaster 055/06 (2.883-473.0)

---

<b>POS</b>	<b>Article no.</b>	<b>Description</b>	<b>Quantity</b>	<b>Unit</b>
6	6.362-463.0	O-Ring seal 28,0 X 2,0-NBR 78	1.000	ST



## 50 Electric box

---

<b>POS</b>	<b>Article no.</b>	<b>Description</b>	<b>Quantity</b>	<b>Unit</b>
1	5.322-101.0	Handle yellow	1.000	ST
2	7.303-108.0	Screw 5x20 -10.9-R2R (In6Rd)	4.000	ST
3	5.064-176.0	Cover	1.000	ST
4	7.303-031.0	Screw M4x10 -St-P2R (In6Rd)	1.000	ST
5	5.365-181.0	Profile gasket	1.000	ST
6	6.631-190.0	Motor protecting switch	1.000	ST
7	5.263-058.0	Tensioning part	1.000	ST
8	6.343-186.0	Locking ring	1.000	ST
9	6.649-444.0	Cable with plug	1.000	ST
10	7.303-109.0	Screw 5x25 -10.9-R2R (In6Rd)	1.000	ST