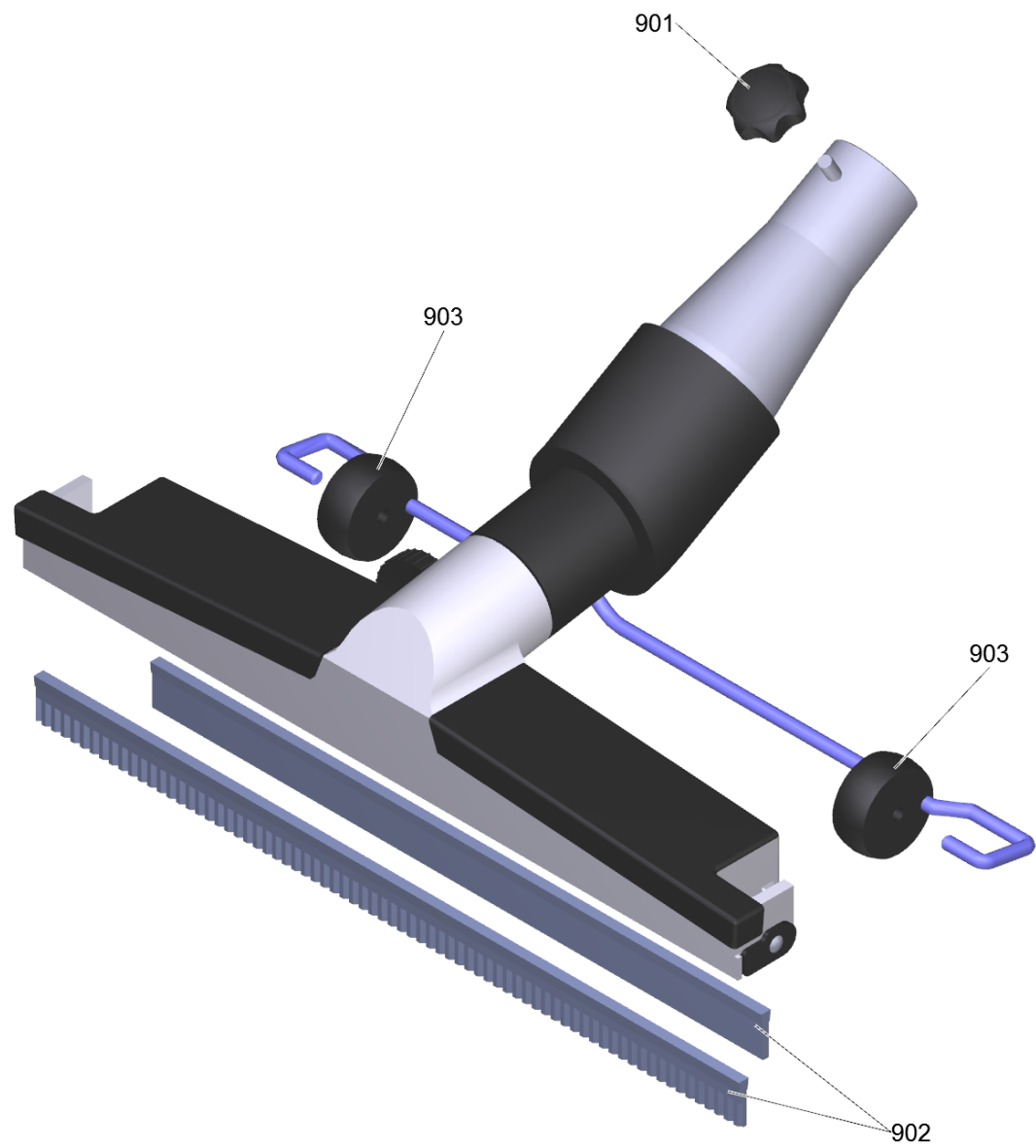


Spare parts list

(6.902-184.0) Multi-purpose nozzle 370mm DN52

8 Multi-purpose nozzle 370mm DN52 (6.902-184.0)

3



8 Multi-purpose nozzle 370mm DN52 (6.902-184.0)

POS	Article no.	Description	Quantity	Unit
902	6.902-215.0	Brush strips set 370mm	1.000	ST
903	9.980-747.0	Roller for floor nozzle 370mm/500mm	2.000	ST
901	6.303-554.0	Star grip M8	1.000	ST