

## **Spare parts list**

(2.533-200.0) B 40 C Ep 240V

## Table of contents

---

10 B 40 C Ep 240V (2.533-200.0)	4
120 Documentation Ep	5
400 Spare parts list B 40 C Ep 240V (5.971-696.0)	6
10 Tank	7
11 Tank	8
7 Tank replacement (4.035-429.0)	11
21 Ball valve complete replacement (4.035-426.0)	13
26 Drain hose with cover oil resistant B40/ (4.035-501.0)	15
26 Drain hose with cover oil resistant B40/ (4.035-501.0)	17
12 Covering cap rear	19
20 Frame	21
30 Vacuum motor	23
40 Control panel	25
50 Tachograph	27
1 Tachograph set Ep (4.035-475.0)	29
60 Electronics	31
70 Suction bar lifting	33
80 Suspension power brush	35
9000 Set universal hook (4.070-075.0)	37
9001 Suction bar straight 850mm (4.777-406.0)	39
10 Suction bar pre-assembled straight 850mm	41
9000 Conversion kit support roller deep (4.035-281.0)	43
9002 BLADES FOR TEXTURED FLOORS (6.273-290.0)	45
9002 Suction bar curved 850mm (4.777-416.0)	46
10 Suction bar pre-assembled curved 850mm	48
9000 Conversion kit support roller deep (4.035-281.0)	50
9002 BLADES FOR TEXTURED FLOORS (6.273-290.0)	52
9003 Suction bar straight 850mm (4.777-401.0)	53
10 Suction bar pre-assembled straight 850mm	55
9000 Support roller complete replacement (4.035-171.0)	57
9000 Conversion kit support roller deep (4.035-281.0)	59
9000 Roller suction bar (4.035-339.0)	61
9002 BLADES FOR TEXTURED FLOORS (6.273-290.0)	63
9004 Suction bar curved 850mm (4.777-411.0)	64
10 Suction bar pre-assembled curved 850mm	66
9000 Support roller complete replacement (4.035-171.0)	68
9000 Conversion kit support roller deep (4.035-281.0)	70
9000 Roller suction bar (4.035-339.0)	72

9002 BLADES FOR TEXTURED FLOORS (6.273-290.0)

74

10 B 40 C Ep 240V (2.533-200.0)

---

<b>POS</b>	<b>Article no.</b>	<b>Description</b>	<b>Quantity</b>	<b>Unit</b>
120		Documentation Ep	1.000	ST
400	5.971-696.0	Spare parts list B 40 C Ep 240V	1.000	ST

## 120 Documentation Ep

---

<b>POS</b>	<b>Article no.</b>	<b>Description</b>	<b>Quantity</b>	<b>Unit</b>
70	6.277-323.0	Documentation pocket	1.000	ST
80		PAIS B40	1.000	ST

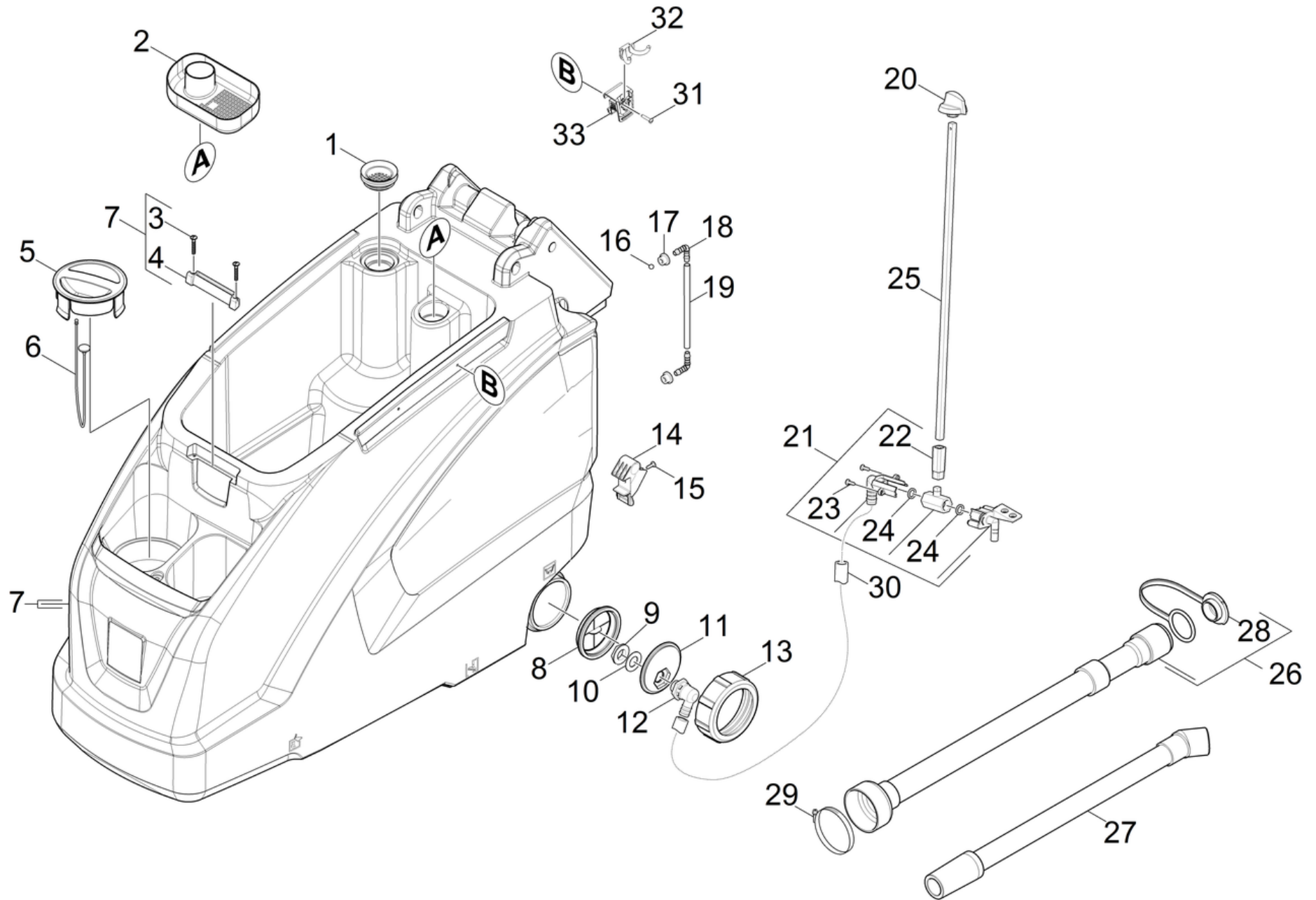
## 400 Spare parts list B 40 C Ep 240V (5.971-696.0)

POS	Article no.	Description	Quantity	Unit
40		Control panel	1.000	ST
60		Electronics	1.000	ST
20		Frame	1.000	ST
9000	4.070-075.0	Set universal hook	1.000	ST
9004	4.777-411.0	Suction bar curved 850mm	1.000	ST
9002	4.777-416.0	Suction bar curved 850mm	1.000	ST
70		Suction bar lifting	1.000	ST
9003	4.777-401.0	Suction bar straight 850mm	1.000	ST
9001	4.777-406.0	Suction bar straight 850mm	1.000	ST
80		Suspension power brush	1.000	ST
50		Tachograph	1.000	ST
10		Tank	1.000	ST
30		Vacuum motor	1.000	ST

## 10 Tank

---

<b>POS</b>	<b>Description</b>	<b>Quantity</b>	<b>Unit</b>
12	Covering cap rear	1.000	ST
11	Tank	1.000	ST





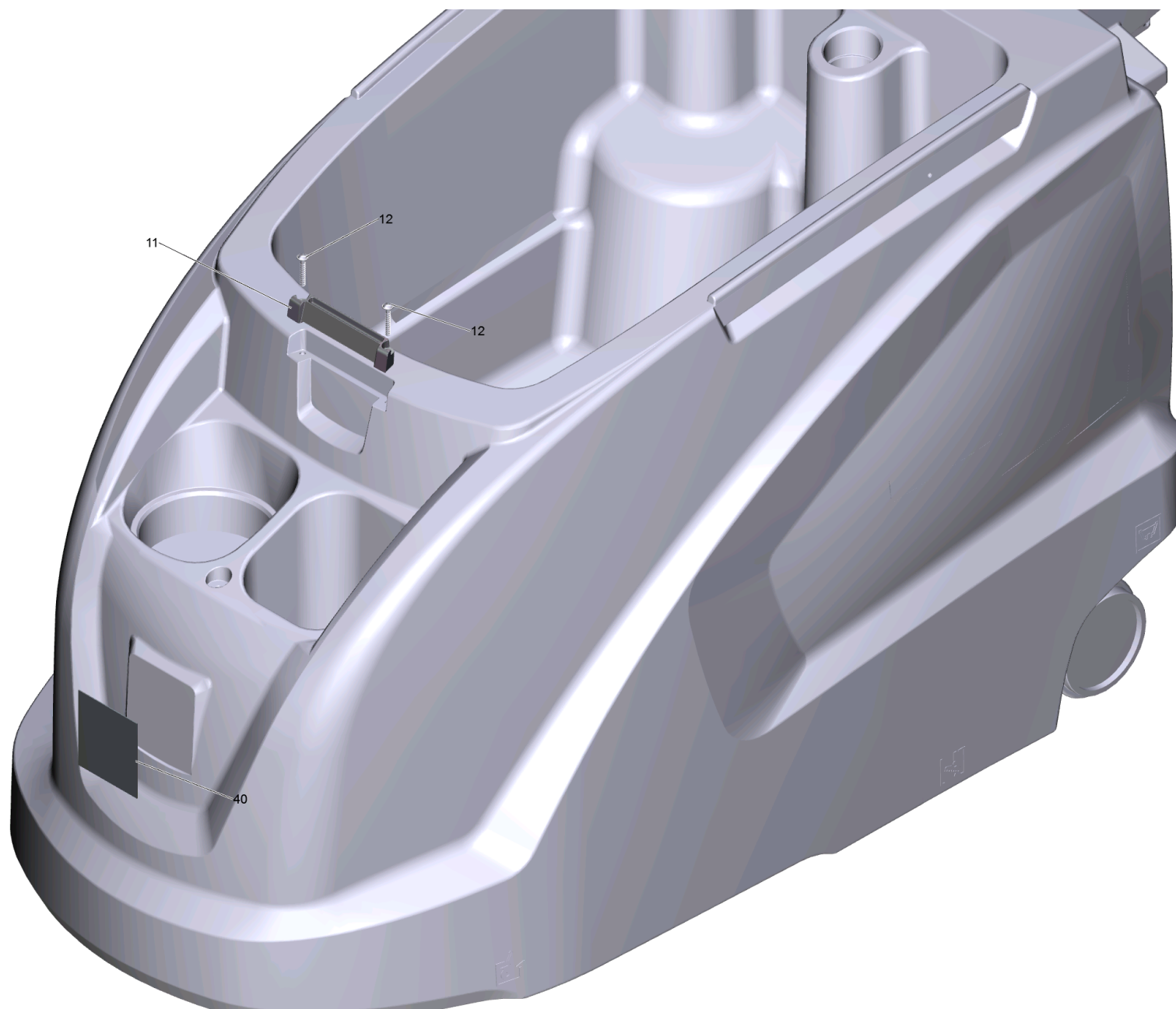
## 11 Tank

POS	Article no.	Description	Quantity	Unit	Foot note text
14	5.035-433.0	Adapter	2.000	ST	
33	5.035-488.0	Adapter Homebase	1.000	ST	
4	5.035-482.0	Add-on part tank cover	1.000	ST	
12	6.395-163.3	Angle bushing G1-2	1.000	ST	
21	4.035-426.0	Ball valve complete replacement	1.000	ST	
25	5.035-369.0	Bar	1.000	ST	
22	5.035-459.0	Coupler piece ball valve	1.000	ST	
28	5.035-815.0	Cover drain hose oil resistant	1.000	ST	OIL RESISTANT
28	5.035-723.0	Cover drain hose yellow	1.000	ST	STANDARD
5	5.035-380.0	Cover fresh water filler neck	1.000	ST	
13	5.035-341.0	Cover fresh water tank discharge	1.000	ST	
32	6.980-077.0	Double hook	1.000	ST	
26	4.035-501.0	Drain hose with cover oil resistant B40/	1.000	ST	STANDARD
26	4.035-501.0	Drain hose with cover oil resistant B40/	1.000	ST	OIL RESISTANT
18	6.391-913.0	Elbow nipple	2.000	ST	
8	5.035-376.0	Filter discharge	1.000	ST	
20	5.035-404.0	Handle	1.000	ST	
9	6.310-004.0	Hexagon nut G 1/2"	1.000	ST	
29	6.388-767.0	Hose clip 70- 90	1.000	ST	
11	5.035-342.0	Hose connection fresh water discharge	1.000	ST	
30	6.390-324.0	Hose DN15	1.000	M	TO ORDER AS CUT GOODS
1	5.515-266.0	Joint ring fluffing strainer	1.000	ST	
6	5.035-358.0	Mounting rope cover fresh water tank	1.000	ST	
23	7.303-107.0	Screw 5x16 -10.9-P2R (K-In6Rd)	2.000	ST	
31	6.303-200.0	Screw 5x25-IN6RD	1.000	ST	
3	7.303-086.0	Screw 5x30 -10.9-R2R (K-In6Rd)	2.000	ST	
24	5.035-770.0	Seal ball valve	2.000	ST	
10	5.515-253.0	Seal D34	1.000	ST	
19	5.035-328.0	Silicon hose level indicator	1.000	ST	
16	6.035-006.0	Sphere level indicator	1.000	ST	
27	6.392-936.0	Suction hose oil resistant B40/60	1.000	ST	OIL RESISTANT
2	5.035-375.0	Tank bulk waste	1.000	ST	
7	4.035-429.0	Tank replacement	1.000	ST	

## 11 Tank

---

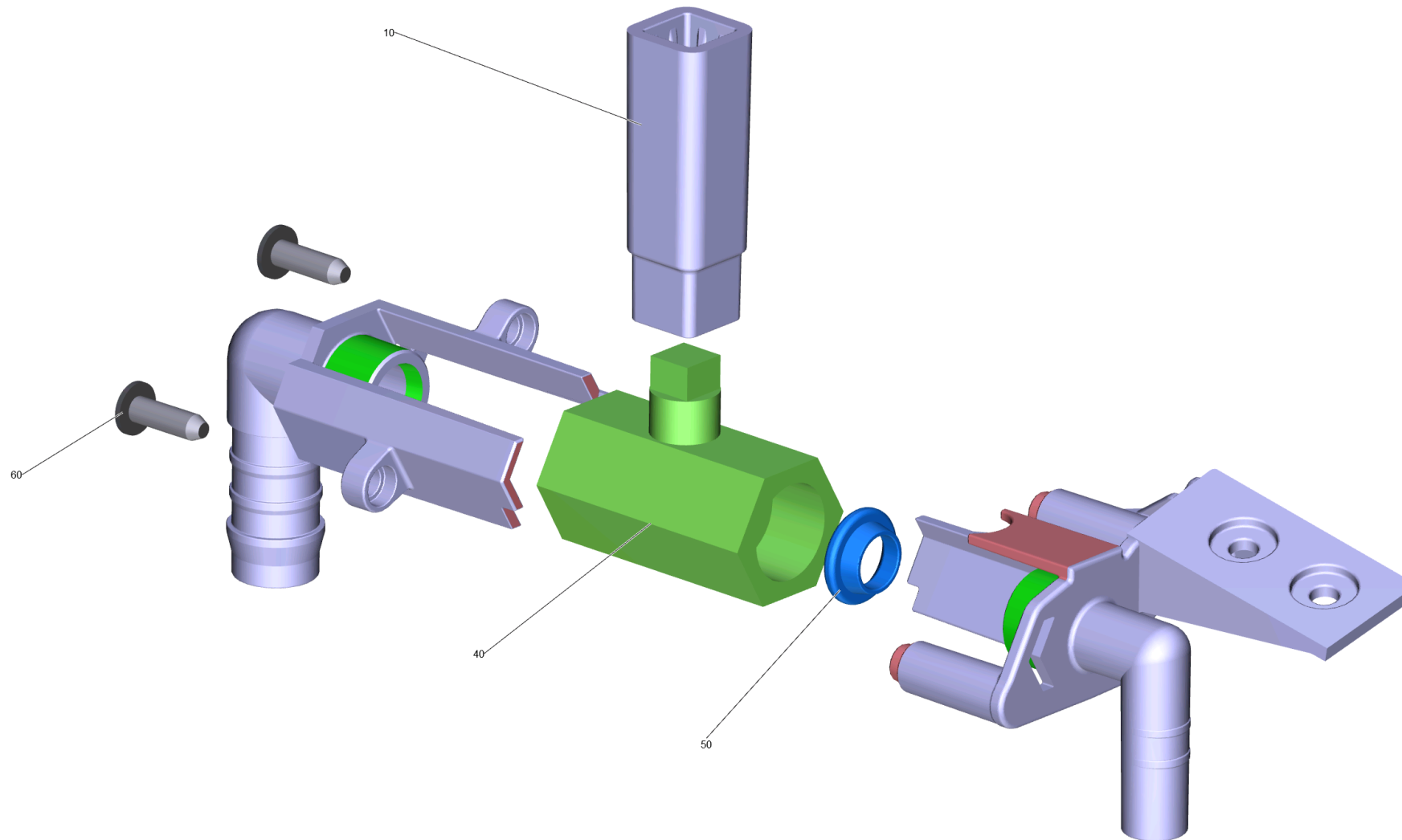
<b>POS</b>	<b>Article no.</b>	<b>Description</b>	<b>Quantity</b>	<b>Unit</b>	<b>Foot note text</b>
17	5.035-608.0	Wire protecting sleeve	2.000	ST	



## 7 Tank replacement (4.035-429.0)

---

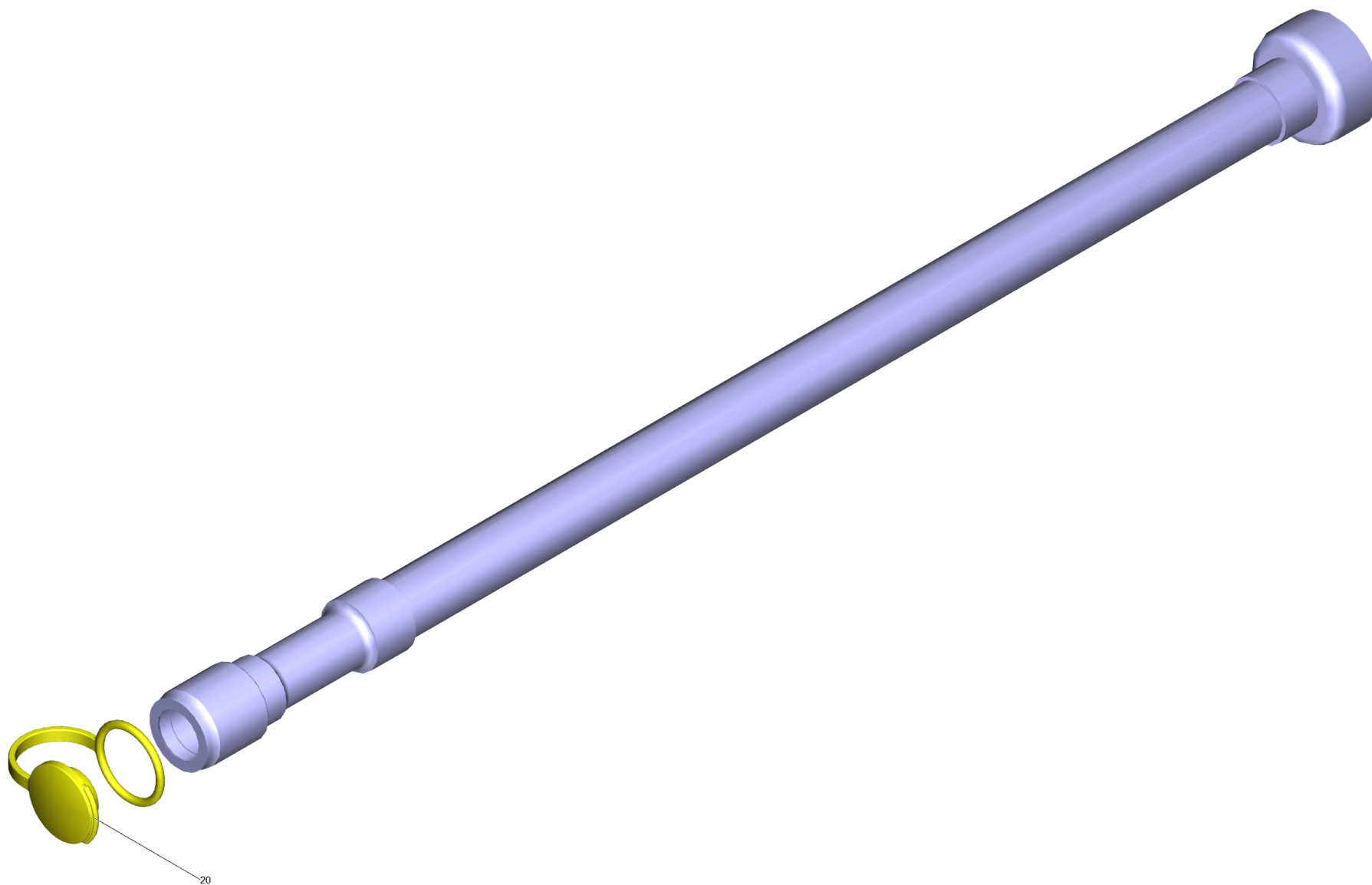
<b>POS</b>	<b>Article no.</b>	<b>Description</b>	<b>Quantity</b>	<b>Unit</b>
11	5.035-482.0	Add-on part tank cover	1.000	ST
40	5.394-081.0	Label signet gel 78x86	1.000	ST
12	7.303-086.0	Screw 5x30 -10.9-R2R (K-In6Rd)	2.000	ST



## 21 Ball valve complete replacement (4.035-426.0)

---

<b>POS</b>	<b>Article no.</b>	<b>Description</b>	<b>Quantity</b>	<b>Unit</b>
40	6.413-586.0	Ball valve without handhold	1.000	ST
10	5.035-459.0	Coupler piece ball valve	1.000	ST
60	7.303-107.0	Screw 5x16 -10.9-P2R (K-In6Rd)	2.000	ST
50	5.035-770.0	Seal ball valve	2.000	ST

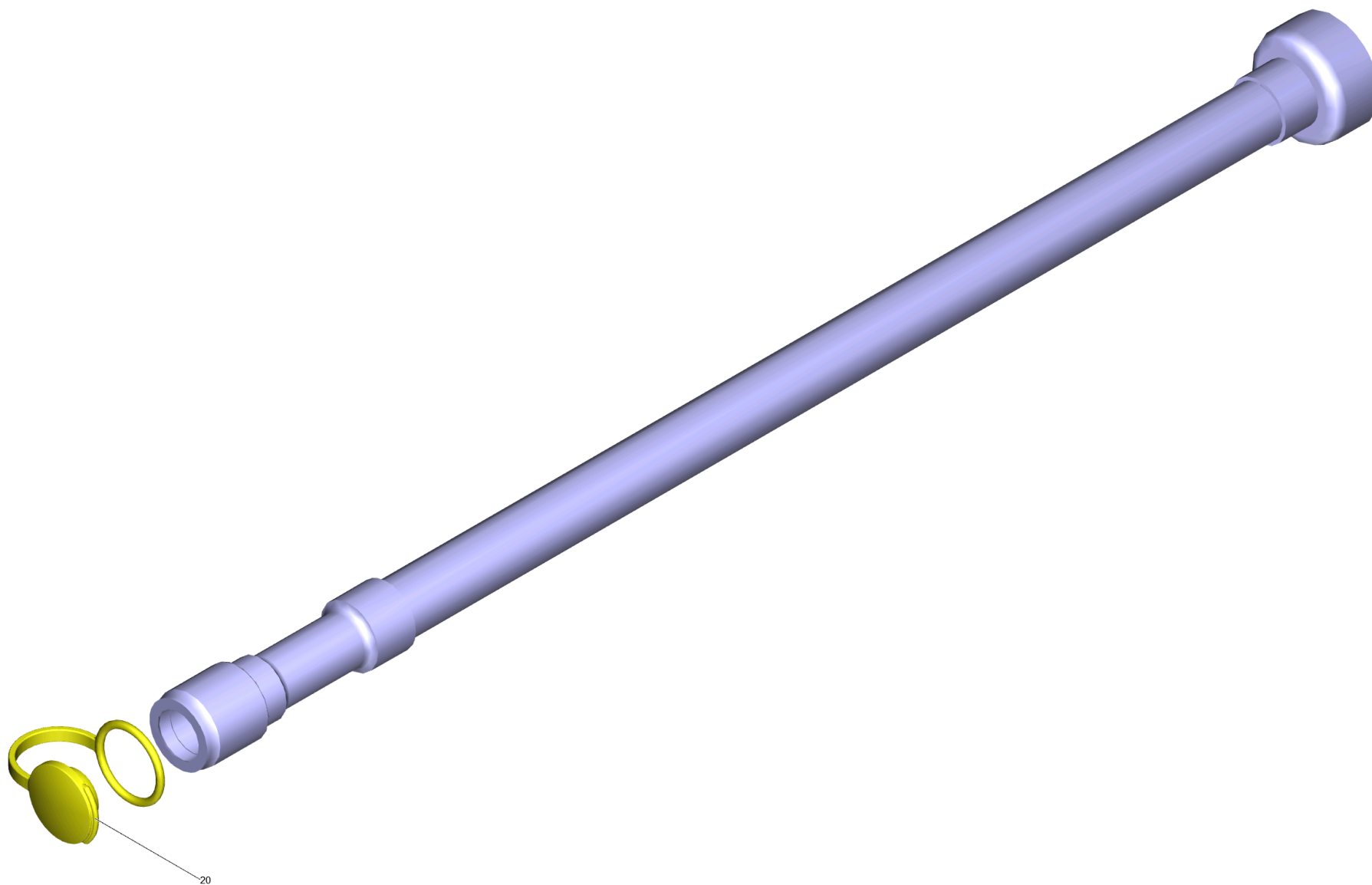


26 Drain hose with cover oil resistant B40/ (4.035-501.0)

---

<b>POS</b>	<b>Article no.</b>	<b>Description</b>	<b>Quantity</b>	<b>Unit</b>
20	5.035-815.0	Cover drain hose oil resistant	1.000	ST

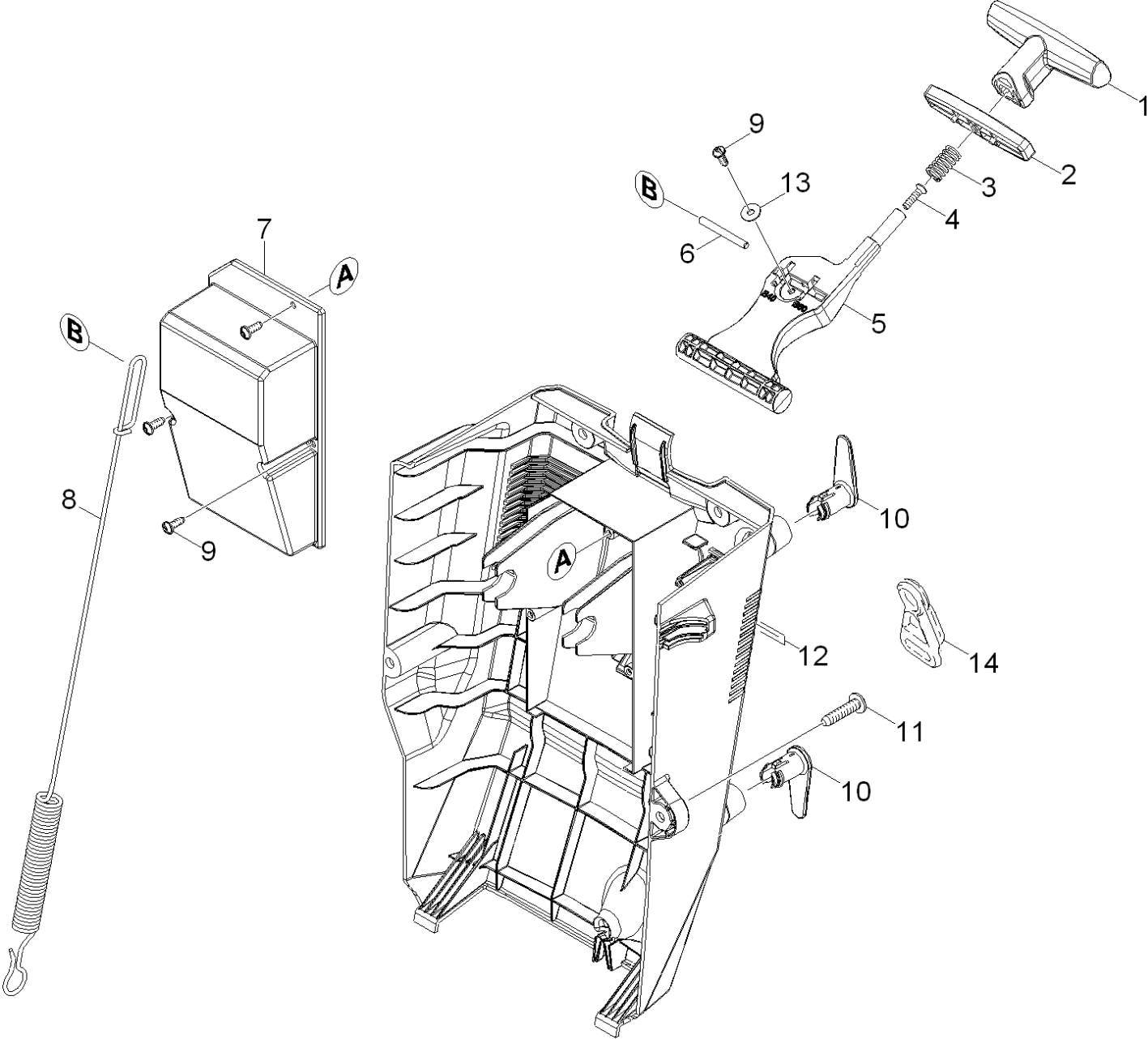




26 Drain hose with cover oil resistant B40/ (4.035-501.0)

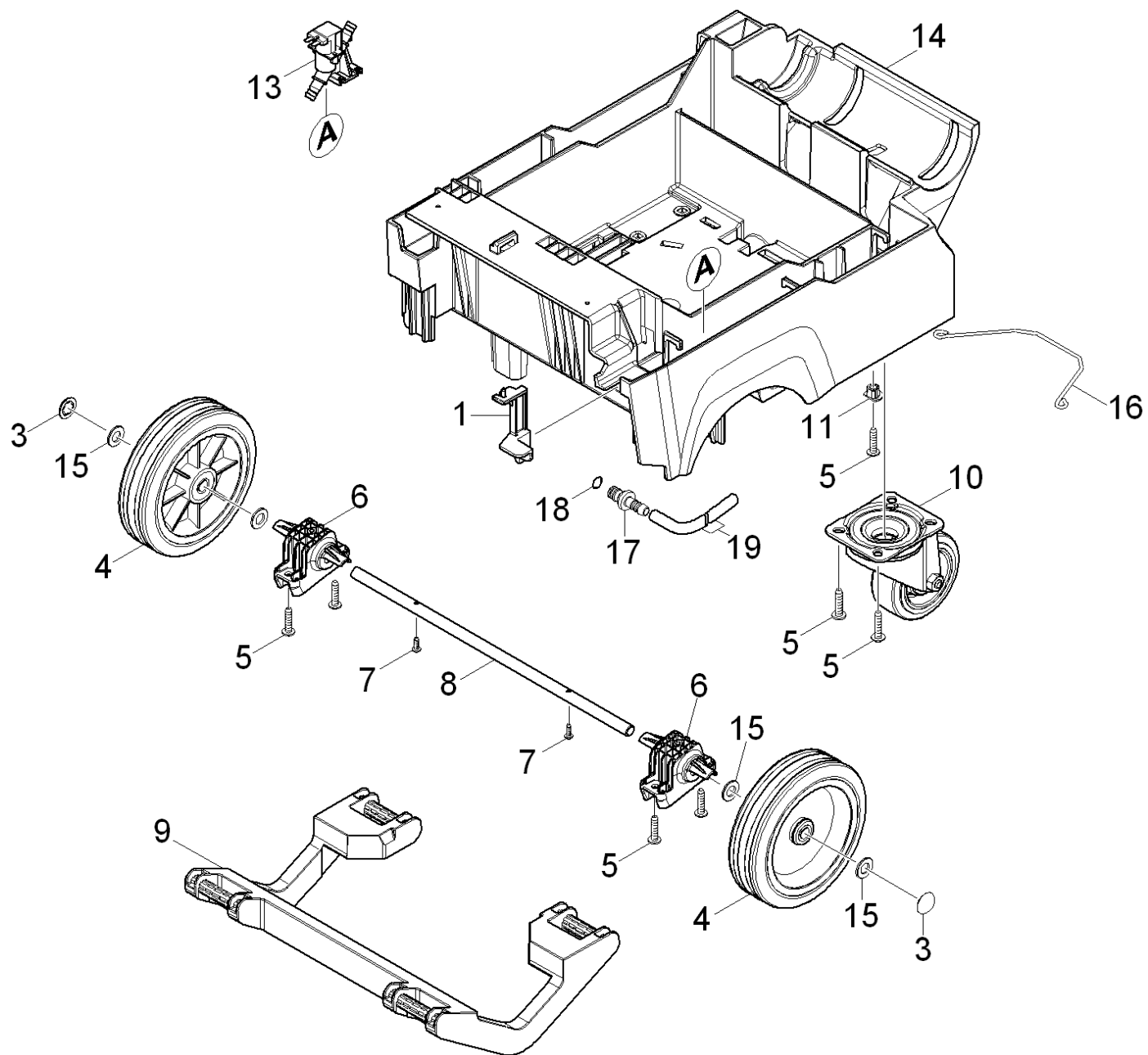
---

<b>POS</b>	<b>Article no.</b>	<b>Description</b>	<b>Quantity</b>	<b>Unit</b>
20	5.035-815.0	Cover drain hose oil resistant	1.000	ST



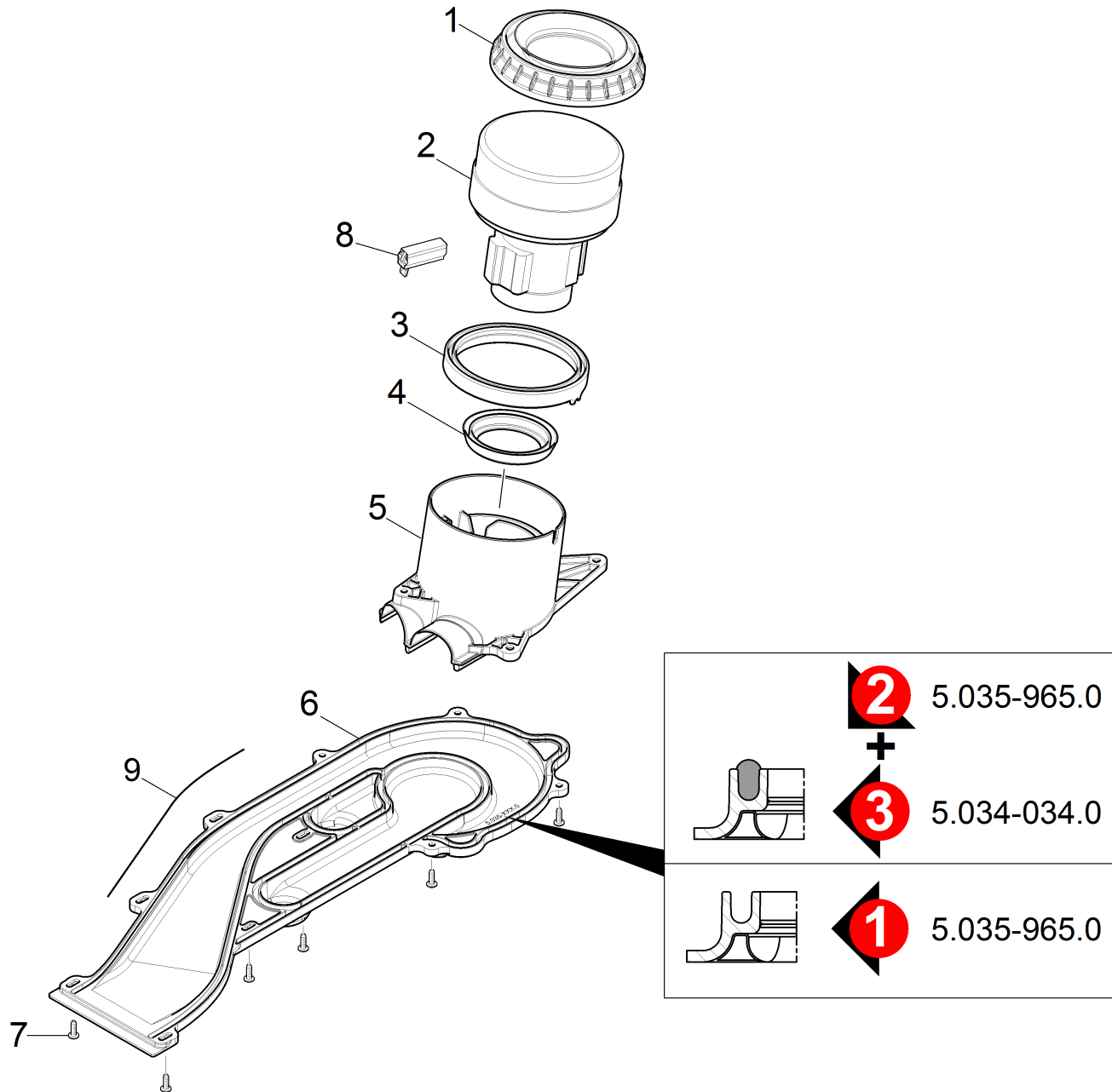
## 12 Covering cap rear

POS	Article no.	Description	Quantity	Unit
6	5.035-453.0	Axle lever suction bar	1.000	ST
2	5.326-028.0	Button	1.000	ST
10	5.044-661.0	Catch for cable yellow	2.000	ST
4	7.305-050.0	Countersunk screw M5x20 -A2-70-s (In6Rd	1.000	ST
7	5.035-446.0	Cover covering cap rear	1.000	ST
12	5.035-366.0	Covering cap	1.000	ST
8	5.035-423.0	Extension spring	1.000	ST
1	5.035-443.0	Handhold adjustment	1.000	ST
3	5.332-481.0	Helical spring	1.000	ST
5	5.035-445.0	Lever suction bar	1.000	ST
9	7.303-107.0	Screw 5x16 -10.9-P2R (K-In6Rd)	3.000	ST
11	6.303-315.0	Screw 8 x 35	4.000	ST
14	6.641-776.0	Strain relief	1.000	ST
13	7.312-282.0	Washer 5 -A2 ISO 7093-1	1.000	ST



## 20 Frame

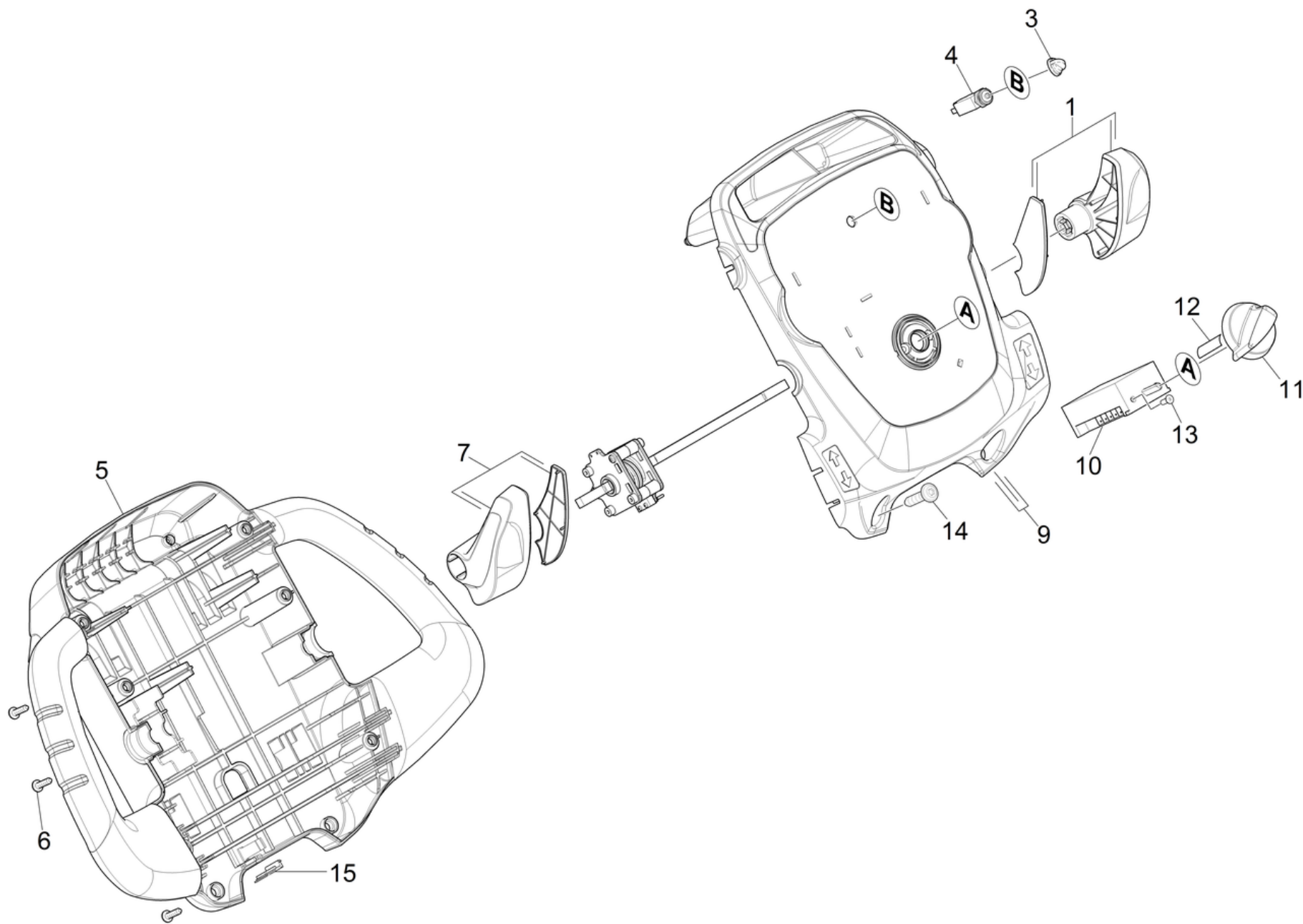
POS	Article no.	Description	Quantity	Unit	Remark	Foot note text
10	6.435-011.0	Castor	2.000	ST		
14	5.035-350.0	Frame B40	1.000	ST		
6	5.035-352.0	Holder axle	2.000	ST		
19	6.390-852.0	Hose fabric reinforced NW12	1.000	M		TO ORDER AS CUT GOODS
17	5.443-375.0	Hose stem	1.000	ST		
3	6.343-240.0	Lock washer	2.000	ST		
18	6.362-170.0	O-Ring seal 11,3 X 2,4-NBR 70	1.000	ST		
9	5.035-334.0	Retaining bracket connecting rod	1.000	ST		
7	6.303-200.0	Screw 5x25-IN6RD	2.000	ST		
5	6.303-315.0	Screw 8 x 35	15.000	ST		
11	5.035-522.0	Sleeve	3.000	ST		
13	4.472-002.0	Solenoid valve replacement 220-240V 50/6	1.000	ST	230 V	
1	5.035-435.0	Tank locking part	1.000	ST		
15	7.312-028.0	Washer 14-200HV-A3E ISO7090	4.000	ST		
8	5.035-360.0	Wheel axle carriage	1.000	ST		
4	6.435-356.0	Wheel D200	2.000	ST		
16	5.035-440.0	Wire spring	1.000	ST		



### 30 Vacuum motor

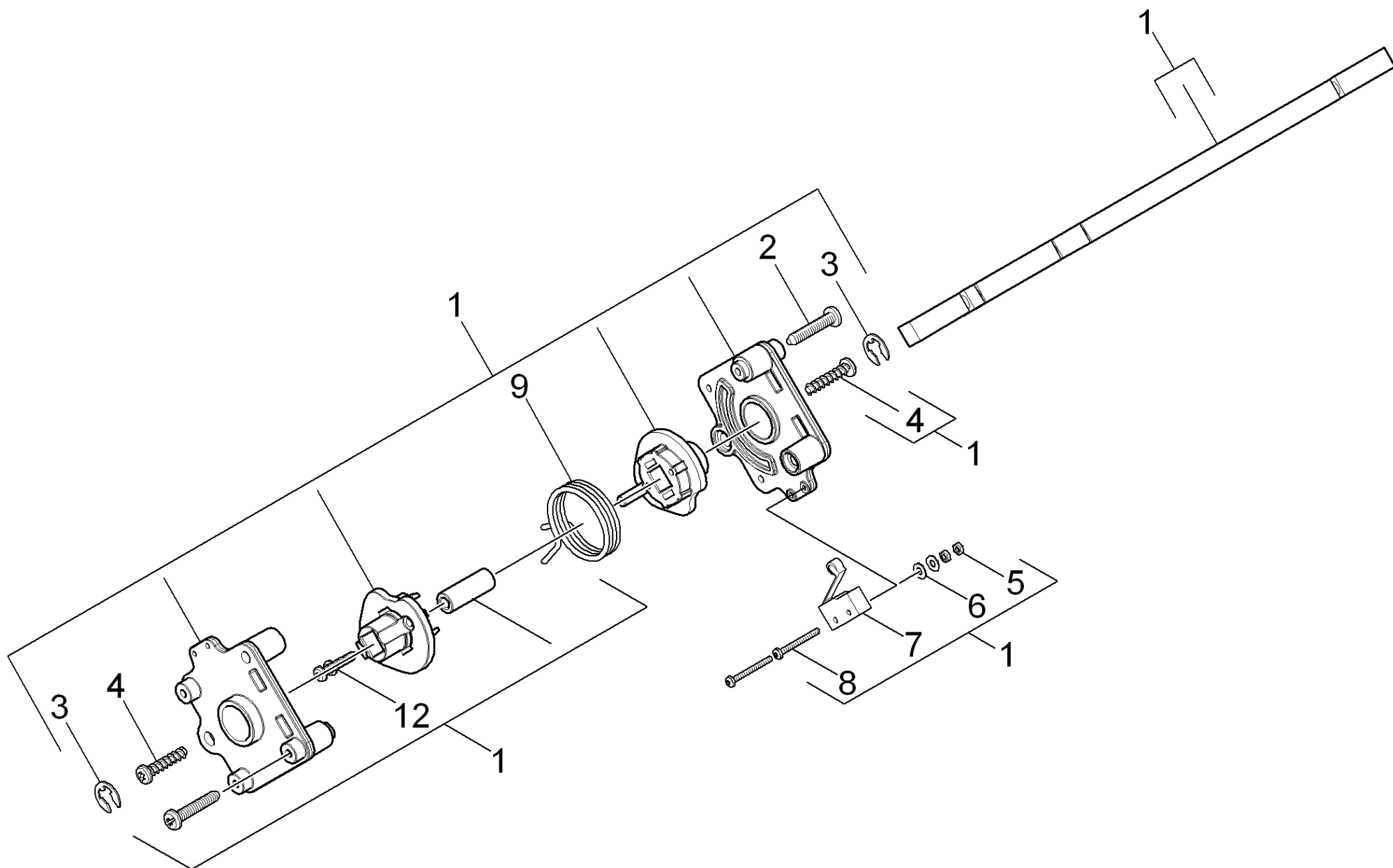
POS	Article no.	Description	Quantity	Unit	Remark	Foot note text
6	5.035-965.0	Air circulation above turbine	1.000	ST		VERSION 1
6	5.035-192.0	Air circulation above turbine	1.000	ST		VERSION 2
5	5.035-964.0	Air circulation bottom turbine	1.000	ST		VERSION 1
6	5.034-034.0	Air circulation turbine above foamed	1.000	ST		VERSION 3
5	5.034-032.0	Air circulation turbine bottom	1.000	ST		VERSION 2
1	5.035-333.0	Bearing vacuum motor	1.000	ST		
3	5.035-332.0	Joint ring turbine	1.000	ST		
7	7.303-107.0	Screw 5x16 -10.9-P2R (K-In6Rd)	8.000	ST		
4	5.363-395.0	Seal	1.000	ST		
9	6.273-196.0	Seal string cellular rubber	1.000	M		TO ORDER AS CUT GOODS
8	6.610-332.0	Set carbon brushes for replacement	1.000	ST	230V	
2	4.035-421.0	Vacuum motor replacement	1.000	ST	230 V	





## 40 Control panel

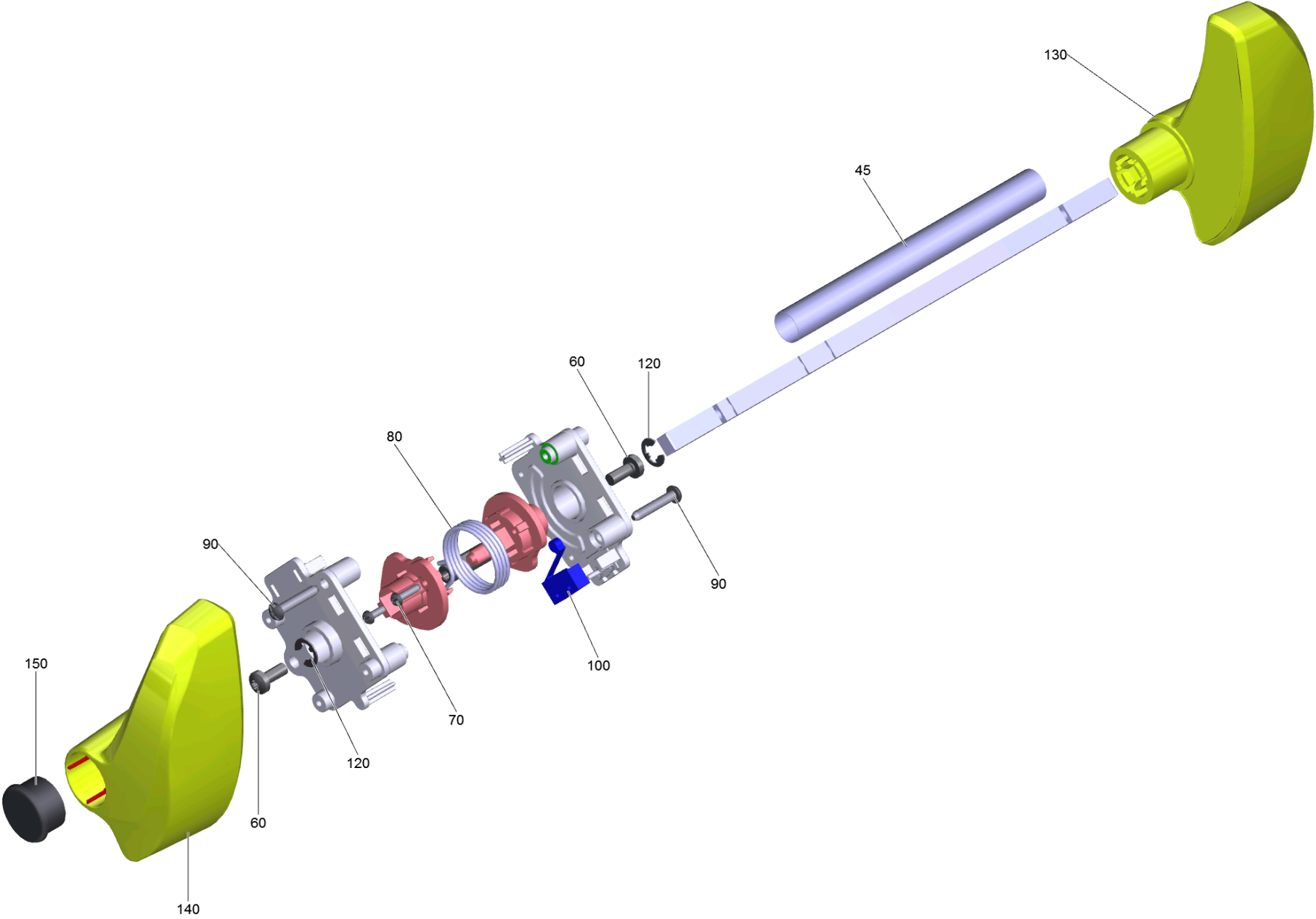
POS	Article no.	Description	Quantity	Unit	Foot note text
13	7.305-036.0	Countersunk screw M4x12 -A2-70-s (IN6RD	2.000	ST	
9	4.035-461.0	Covering cap control panel replacement B	1.000	ST	WITHOUT SLOT FOR 5.033-829.0
9	4.035-122.0	Covering cap control panel replacement B	1.000	ST	WITH SLOT FOR 5.033-829.0
4	6.630-081.0	Fuse motor protecting 7A	1.000	ST	
11	5.321-738.0	Handhold operational concept	1.000	ST	
5	5.035-219.0	Housing bottom part control panel	1.000	ST	WITH SLOT FOR 5.033-829.0
5	4.035-129.0	Housing control panel replacement B40 EP	1.000	ST	WITHOUT SLOT FOR 5.033-829.0
3	6.630-082.0	Protecting cap	1.000	ST	
15	5.033-829.0	Rubber stopper control panel	1.000	ST	
6	6.303-200.0	Screw 5x25-IN6RD	6.000	ST	
14	6.303-315.0	Screw 8 x 35	2.000	ST	
12	6.313-014.0	Spring element	1.000	ST	
10	4.035-414.0	Switch mains replacement	1.000	ST	
7	4.035-496.0	Tachograph left complete	1.000	ST	
1	4.035-495.0	Tachograph right complete	1.000	ST	



## 50 Tachograph

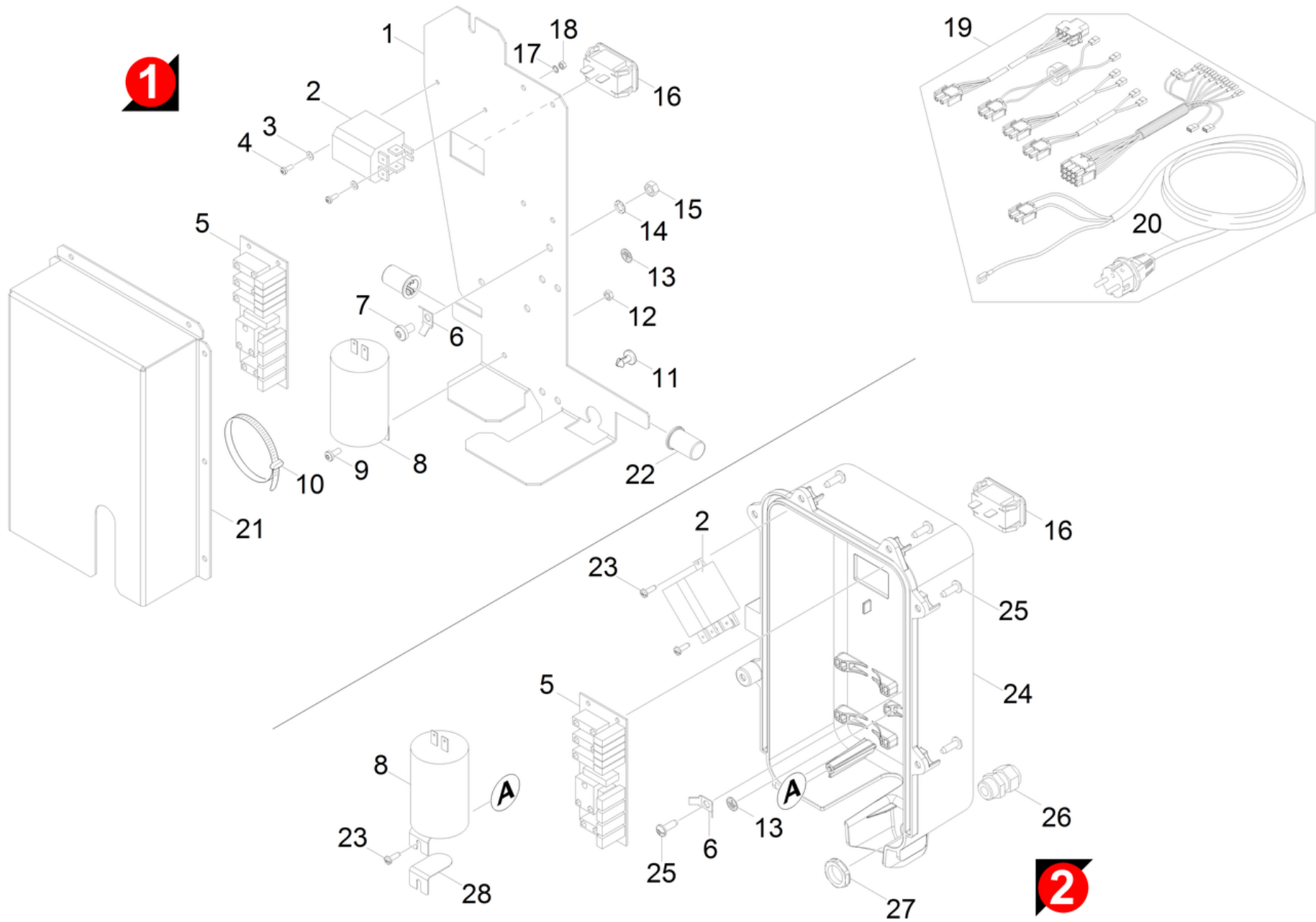
---

<b>POS</b>	<b>Article no.</b>	<b>Description</b>	<b>Quantity</b>	<b>Unit</b>
5	7.311-074.0	Hexagon nut M 2-8-A2E ISO 4032	2.000	ST
3	7.343-201.0	Lock washer 6-FST-PHR DIN 6799	2.000	ST
12	7.303-092.0	Screw 3x12 -10.9-R2R (K-In6Rd)	2.000	ST
2	7.303-096.0	Screw 4x22 -ST-10.9-R2R (IN6RD)	2.000	ST
8	7.306-045.0	Screw M2x20 -4.8-A2K DIN 84	2.000	ST
4	7.306-394.0	Screw M5x12-8.8-ZNBHL ISO14583	2.000	ST
7	6.630-501.0	Switch	1.000	ST
1	4.035-475.0	Tachograph set Ep	1.000	ST
9	6.330-441.0	Torsion spring tachograph	1.000	ST
6	7.312-053.0	Washer 2,5-200HV-A3E ISO 7089	2.000	ST



1 Tachograph set Ep (4.035-475.0)

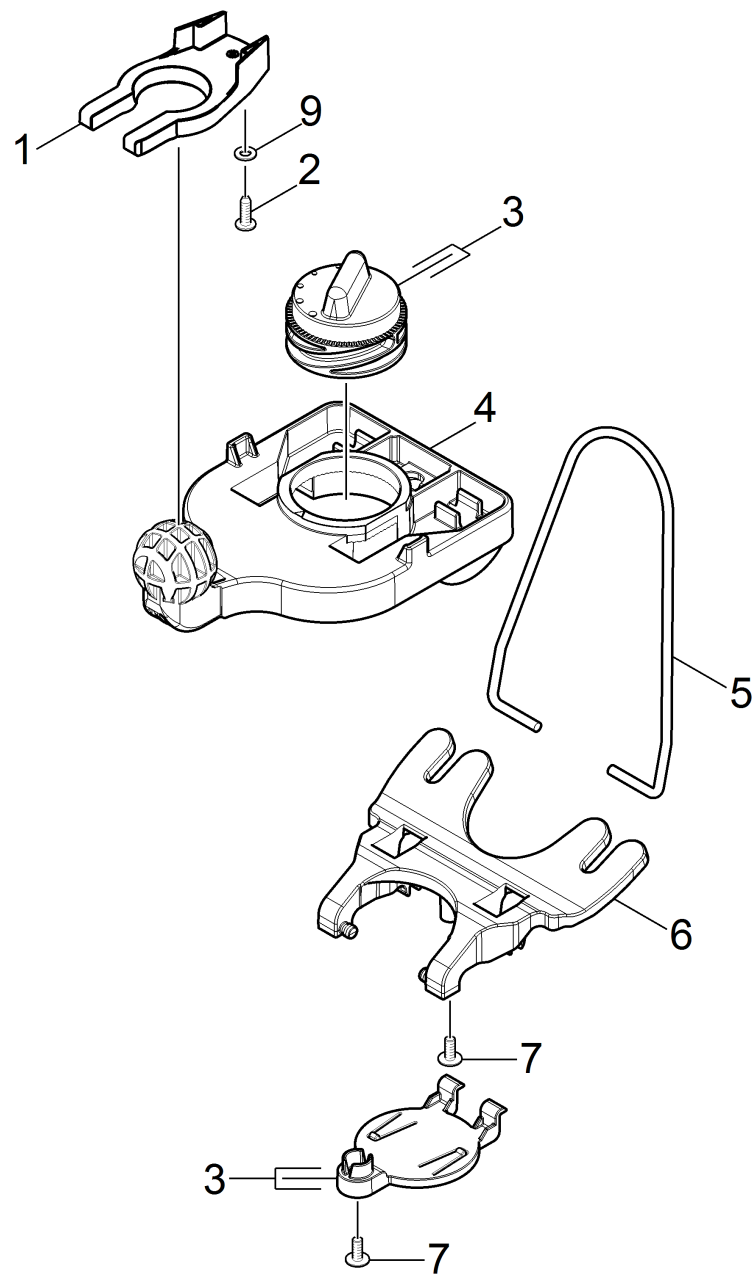
POS	Article no.	Description	Quantity	Unit	Foot note text
150	6.368-196.0	Drain plug	2.000	ST	
45	6.642-014.0	Insulating hose 13	1.000	M	TO ORDER AS CUT GOODS
120	7.343-201.0	Lock washer 6-FST-PHR DIN 6799	2.000	ST	
70	7.303-092.0	Screw 3x12 -10.9-R2R (K-In6Rd)	2.000	ST	
90	7.303-096.0	Screw 4x22 -ST-10.9-R2R (IN6RD)	2.000	ST	
60	7.306-394.0	Screw M5x12-8.8-ZNBHL ISO14583	2.000	ST	
100	6.630-501.0	Switch	1.000	ST	
140	4.035-496.0	Tachograph left complete	1.000	ST	
130	4.035-495.0	Tachograph right complete	1.000	ST	
80	6.330-441.0	Torsion spring tachograph	1.000	ST	



## 60 Electronics

POS	Article no.	Description	Quantity	Unit	Remark
28	6.661-001.0	Angle capacitor	1.000	ST	
22	5.035-450.0	Bearing bush electronics	2.000	ST	
26	6.648-399.0	Cable gland black M16x1,5	1.000	ST	
19	4.822-728.0	Cable harness B40C/60W Ep	1.000	ST	230 V
10	6.641-463.0	Cable tape	1.000	ST	
20	6.645-555.0	Cable with plug B40 Ep	1.000	ST	
8	6.661-290.3	Capacitor 30mF	1.000	ST	230 V
5	6.682-804.0	Circuit board distributor	1.000	ST	
21	5.035-818.0	Cover electronics	1.000	ST	
11	6.646-322.0	Distance holder	4.000	ST	
24	5.035-869.0	Electric box	1.000	ST	
18	7.311-000.0	Hexagon nut M3 -8-A2E ISO 4032	2.000	ST	
12	7.311-001.0	Hexagon nut M4 -8-A2E ISO 4032	1.000	ST	
15	7.311-003.0	Hexagon nut M6 -8-A2E ISO 4032	1.000	ST	
16	6.681-063.0	Hour counter	1.000	ST	
13	6.643-145.0	Label earthing	1.000	ST	
27	6.648-415.0	Locknut black M16	1.000	ST	
1	5.035-705.0	Plate base plate electronics B40 Ep	1.000	ST	
2	6.633-420.0	Relay	1.000	ST	230 V
23	7.303-102.0	Screw 3,5x12 -A2-70-bk (In6Rd)	3.000	ST	
25	7.303-107.0	Screw 5x16 -10.9-P2R (K-In6Rd)	6.000	ST	
4	7.306-203.0	Screw M 3X 8-A2-70 (IN6RD)	2.000	ST	
9	7.306-206.0	Screw M4x10 -A2-70 ISO 14583	1.000	ST	
7	7.306-191.0	Screw M6x10 -A2-70 (In6Rd)	1.000	ST	
17	7.312-234.0	Serrated lock washer A3,2 -FSt-A3E DIN6	2.000	ST	
6	6.641-269.0	Tab	1.000	ST	
14	7.312-165.0	Toothed lock washer A6,4-FST-PH DIN 679	1.000	ST	

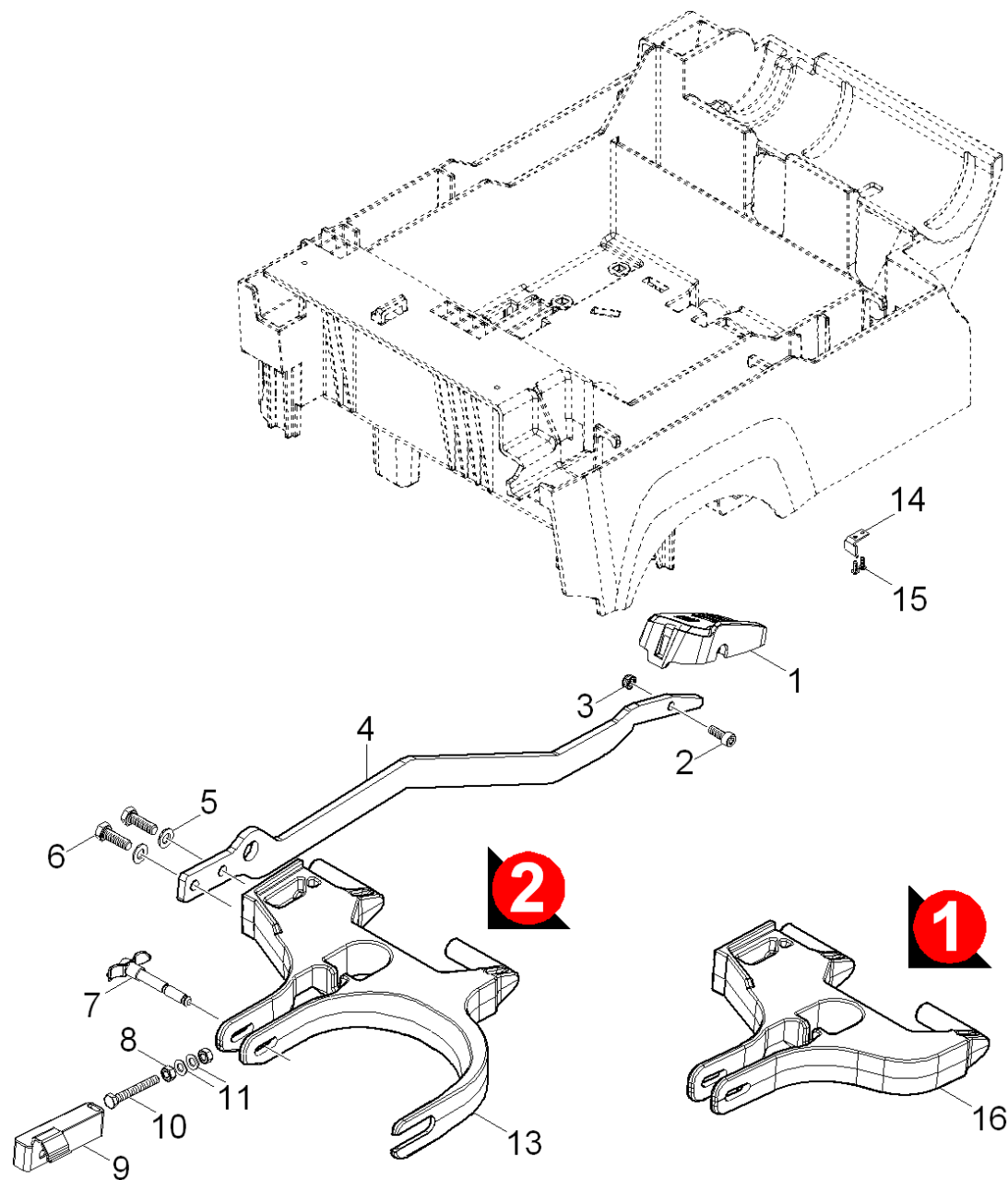




## 70 Suction bar lifting

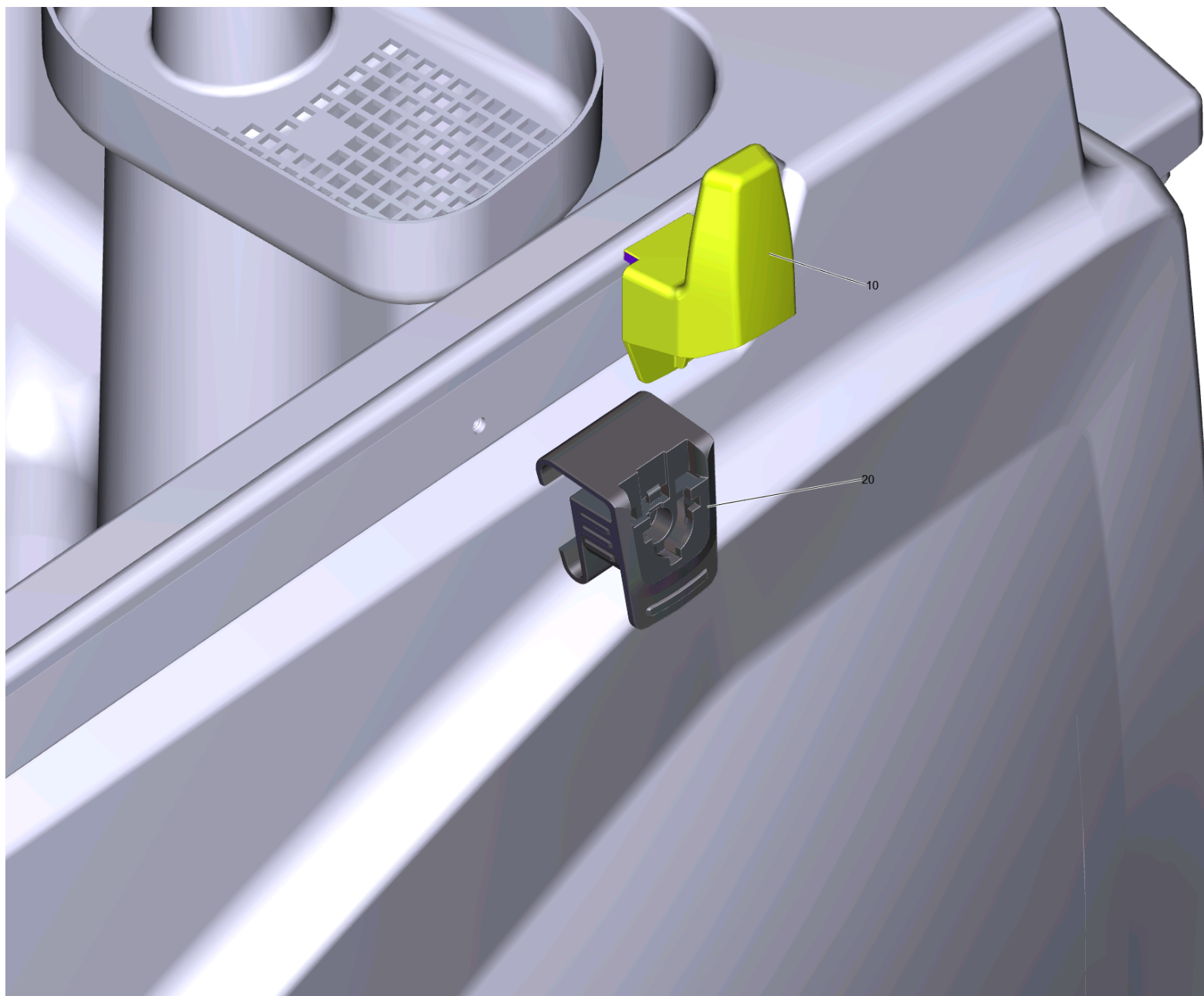
---

<b>POS</b>	<b>Article no.</b>	<b>Description</b>	<b>Quantity</b>	<b>Unit</b>
3	4.035-020.0	Adjustment suction bar only for replacem	1.000	ST
1	5.034-141.0	Fixing plate suction bar	1.000	ST
4	5.035-354.0	Holder suction bar	1.000	ST
7	6.304-121.0	Oval head screw M 5X12	2.000	ST
5	5.035-382.0	Retaining bracket suction bar	1.000	ST
6	5.036-103.0	Rocker suction bar	1.000	ST
2	6.303-200.0	Screw 5x25-IN6RD	1.000	ST
9	7.312-282.0	Washer 5 -A2 ISO 7093-1	1.000	ST



## 80 Suspension power brush

POS	Article no.	Description	Quantity	Unit	Foot note text
9	5.035-377.0	Adjusting element brush-head	1.000	ST	
16	2.882-733.0	Conversion kit suspension brush-head B40	1.000	ST	VERSION 1
2	7.306-041.0	Cylinder head screw M8x20 -8.8-A2E ISO	1.000	ST	
7	5.035-865.0	Handhold bolt brush-head	1.000	ST	
10	7.304-262.0	Hexagonal head screw M8x60-A4-70 ISO 40	1.000	ST	
6	7.304-417.0	Hexagonal head screw M10x30-8.8-A3E ISO	2.000	ST	
8	7.311-068.0	Hexagon nut M 8-A2-70 ISO 4032	2.000	ST	
3	7.311-514.0	Hexagon nut M 8-A2-70 ISO 7040	1.000	ST	
4	5.035-370.0	Lever plate brush-head	1.000	ST	
1	5.035-374.0	Pedal brush-head	1.000	ST	
15	7.303-113.0	Screw 6x25 -10.9-R2R (In6Rd)	2.000	ST	
14	5.035-361.0	Sheet metal component	1.000	ST	
13	5.035-675.0	Suspension brush-head triple	1.000	ST	VERSION 2
11	7.312-004.0	Washer 8 -200HV-A3E ISO 7090	2.000	ST	
5	7.312-005.0	Washer 10-200HV-A3E ISO 7090	2.000	ST	

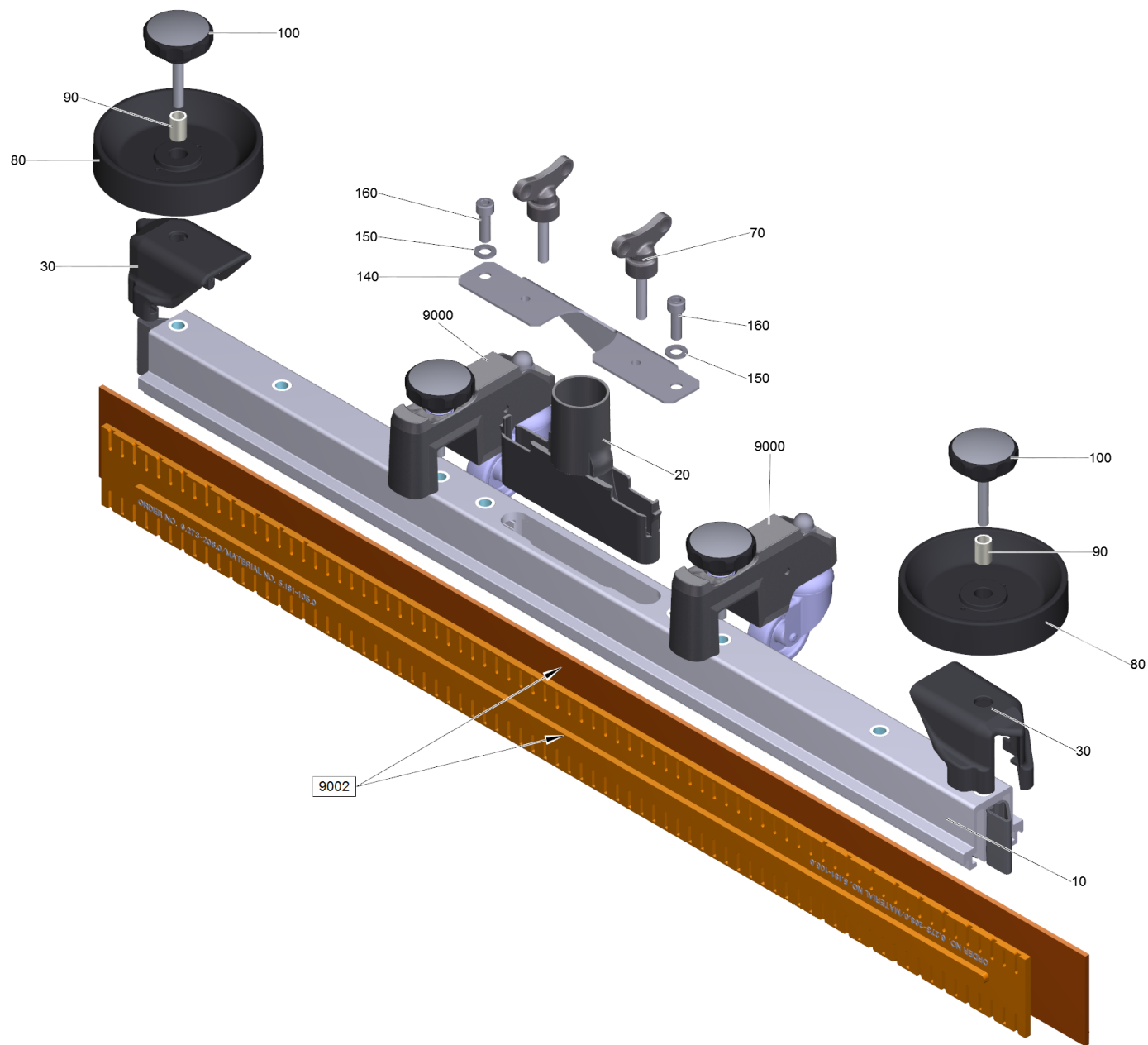


9000 Set universal hook (4.070-075.0)

---

<b>POS</b>	<b>Article no.</b>	<b>Description</b>	<b>Quantity</b>	<b>Unit</b>
20	5.035-488.0	Adapter Homebase	1.000	ST
10	5.037-360.0	Hook Puzzi Home Base	1.000	ST

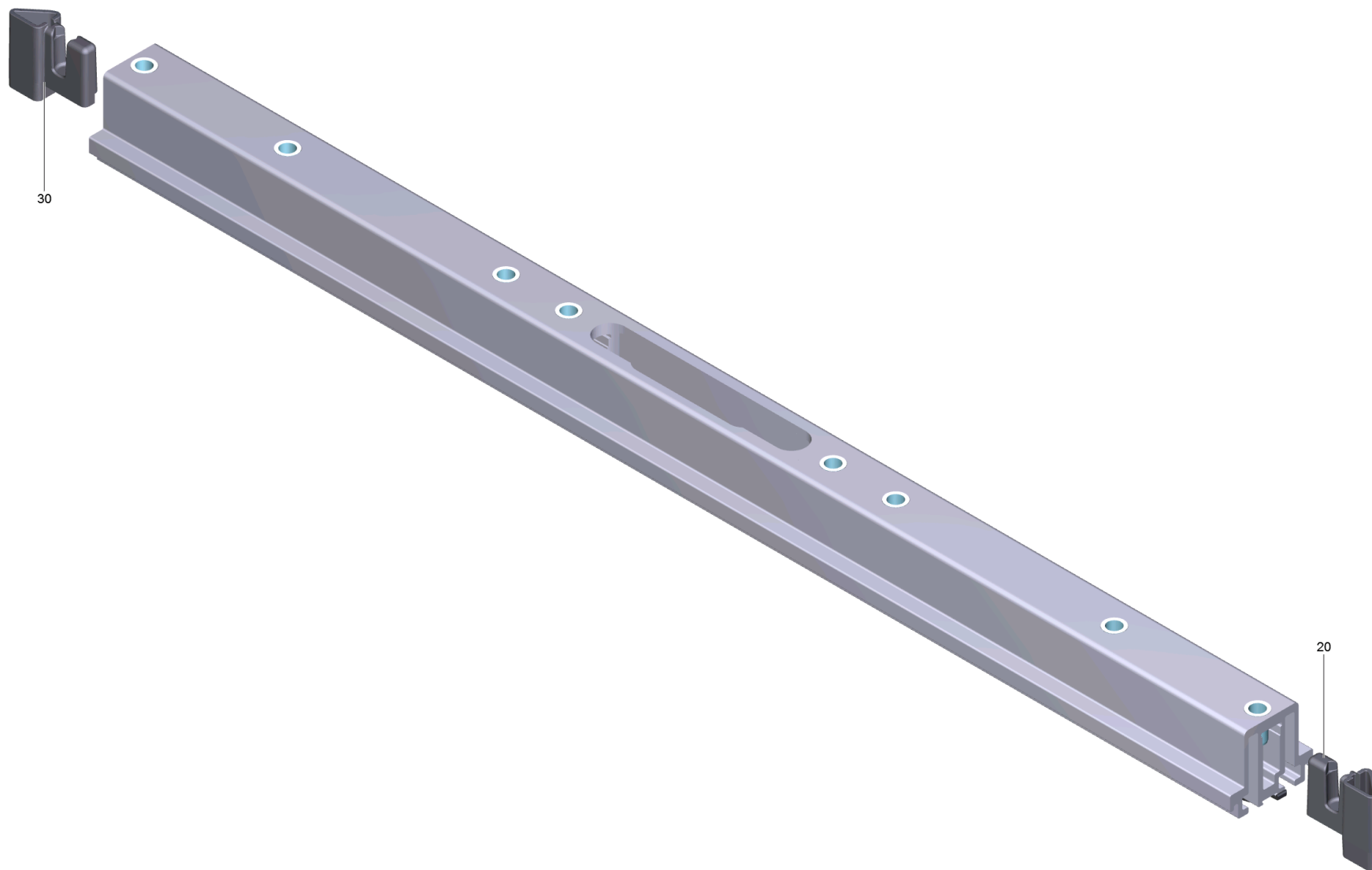
9001 Suction bar straight 850mm (4.777-406.0)



9001 Suction bar straight 850mm (4.777-406.0)

POS	Article no.	Description	Quantity	Unit	Foot note text
9002	6.273-290.0	BLADES FOR TEXTURED FLOORS	1.000	ST	
9000	4.035-281.0	Conversion kit support roller deep	2.000	ST	ORDER QTY. 2
160	7.306-142.0	Cylinder head screw M 8x25-A4-70 ISO 47	1.000	ST	
80	5.515-346.0	Deflector roll suction bar D120	2.000	ST	
30	2.885-294.0	End piece left / right spare parts set	1.000	ST	
9002	6.273-229.0	Rubber lip set anti stripe oil resistant	1.000	ST	
9002	6.273-207.0	Rubber lip set oil resistant BR-BD530,55	1.000	ZSA	
9002	6.273-213.0	Rubber lip set standard	1.000	ZSA	
90	5.094-231.0	Sleeve suction bar in VA	2.000	ST	
110	5.112-810.0	Sleeve VA	2.000	ST	
100	6.321-239.0	Star grip VA Ø50x43	2.000	ST	
10		Suction bar pre-assembled straight 850mm	1.000	ST	
140	5.100-559.0	Suction bar support plate	1.000	ST	
20	5.033-601.0	Suction nipple	1.000	ST	
150	7.312-017.0	Washer 8-A2 ISO 7089	1.000	ST	
70	5.305-008.0	Wing screw M8x30 VA	2.000	ST	

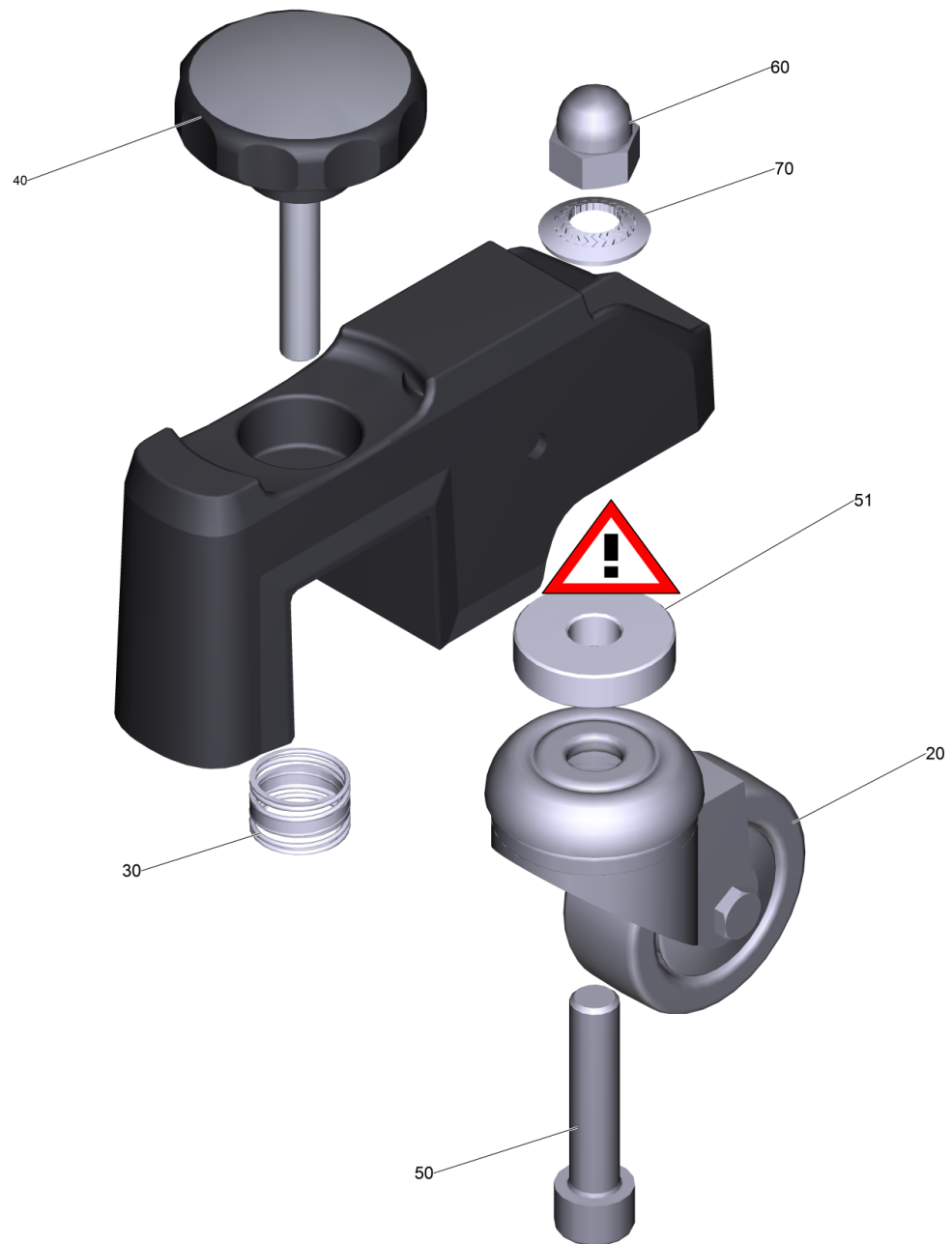




## 10 Suction bar pre-assembled straight 850mm

---

<b>POS</b>	<b>Article no.</b>	<b>Description</b>	<b>Quantity</b>	<b>Unit</b>
20	5.033-578.0	End piece inside left	1.000	ST
30	5.033-579.0	End piece inside right	1.000	ST



9000 Conversion kit support roller deep (4.035-281.0)

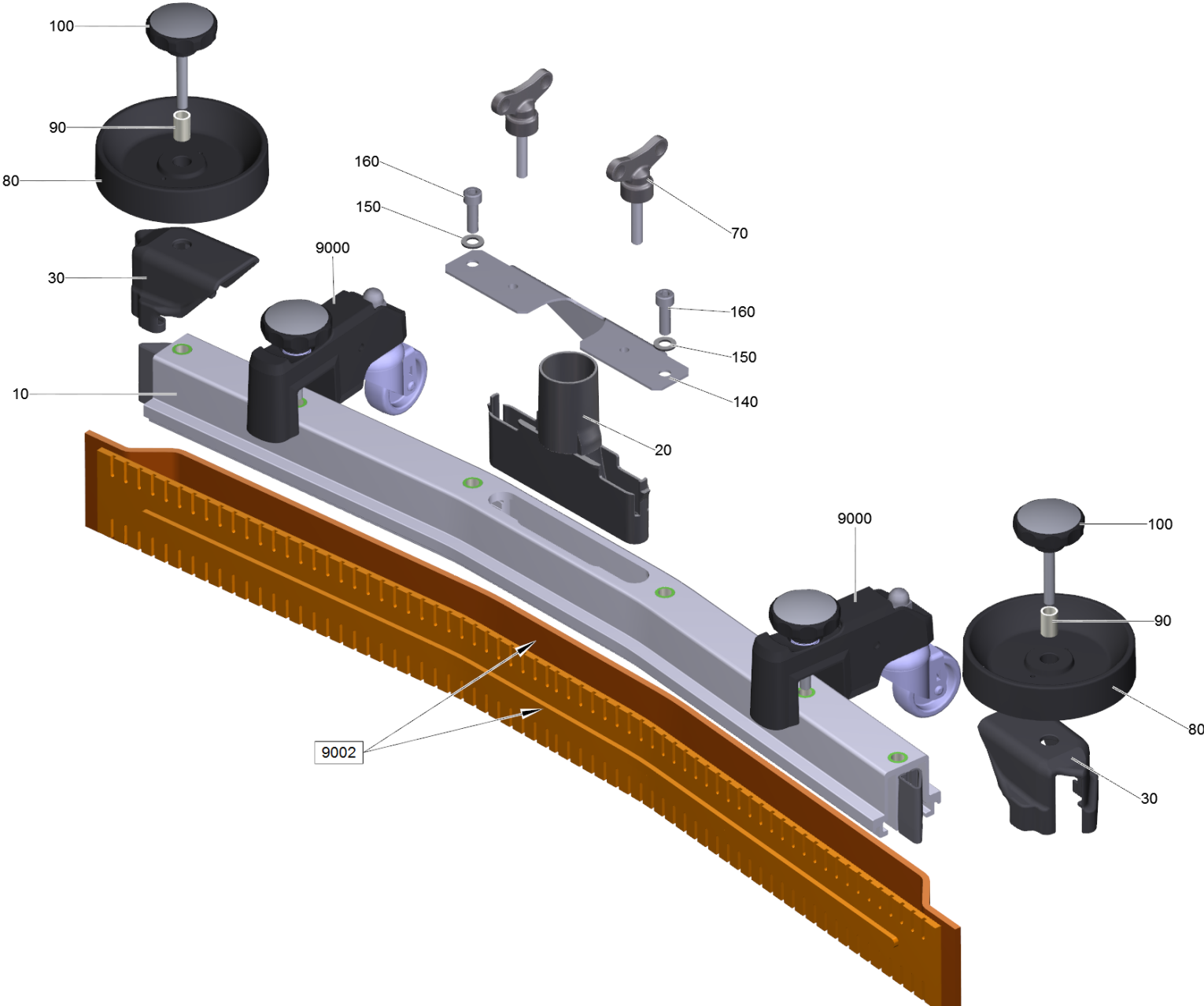
POS	Article no.	Description	Quantity	Unit
60	7.311-382.0	Cap nut M10-6-A3E DIN 1587	1.000	ST
20	6.435-179.0	Castor for thread deflector	1.000	ST
50	7.306-068.0	Cylinder head screw M10x45-8.8-A2K DIN	1.000	ST
30	5.332-554.0	Pressure spring	1.000	ST
70	6.996-526.0	Serrated locking washer d.10	1.000	ST
51	5.112-025.0	Spacer sleeve	1.000	ST
40	6.321-240.0	Star grip with inscription VA Ø50x43	1.000	ST

9002 BLADES FOR TEXTURED FLOORS (6.273-290.0)

---

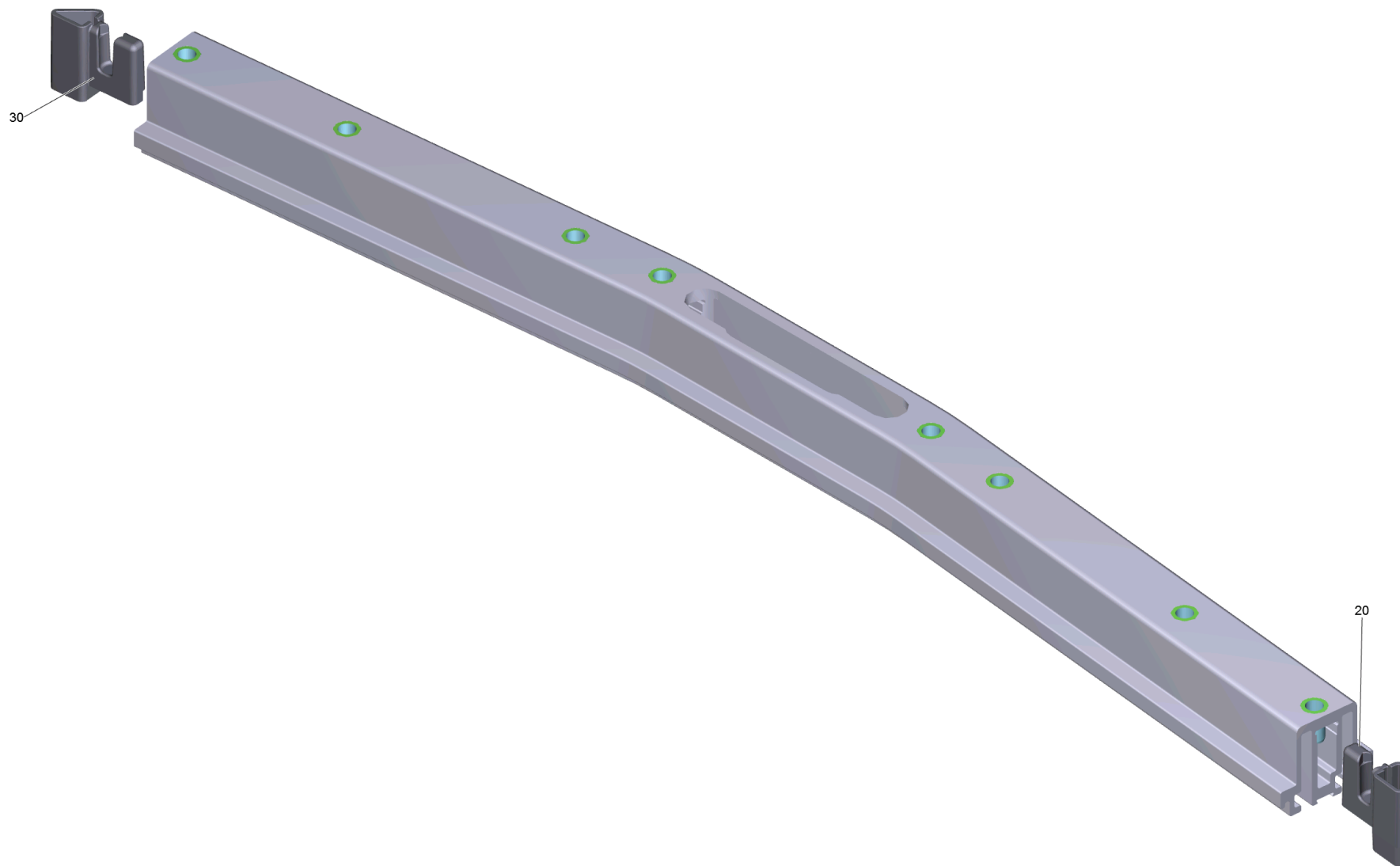
<b>POS</b>	<b>Article no.</b>	<b>Description</b>	<b>Quantity</b>	<b>Unit</b>
20	6.273-229.0	Rubber lip set anti stripe oil resistant	1.000	ST

9002 Suction bar curved 850mm (4.777-416.0)



9002 Suction bar curved 850mm (4.777-416.0)

POS	Article no.	Description	Quantity	Unit	Foot note text
9002	6.273-290.0	BLADES FOR TEXTURED FLOORS	1.000	ST	CLOSED, OIL RESISTANT
9000	4.035-281.0	Conversion kit support roller deep	2.000	ST	ORDER QTY. 2
160	7.306-142.0	Cylinder head screw M 8x25-A4-70 ISO 47	1.000	ST	
80	5.515-267.0	Deflector roll	2.000	ST	
30	2.885-294.0	End piece left / right spare parts set	1.000	ST	
130	5.007-217.0	Plate	1.000	ST	
9002	6.273-229.0	Rubber lip set anti stripe oil resistant	1.000	ST	ANTI-STRIP, OIL RESISTANT
9002	6.273-207.0	Rubber lip set oil resistant BR-BD530,55	1.000	ZSA	OIL RESISTANT
9002	6.273-213.0	Rubber lip set standard	1.000	ZSA	STANDARD
90	5.094-231.0	Sleeve suction bar in VA	2.000	ST	
100	6.321-239.0	Star grip VA Ø50x43	2.000	ST	
10		Suction bar pre-assembled curved 850mm	1.000	ST	
140	5.100-559.0	Suction bar support plate	1.000	ST	
20	5.033-601.0	Suction nipple	1.000	ST	
150	7.312-017.0	Washer 8-A2 ISO 7089	1.000	ST	
70	5.305-008.0	Wing screw M8x30 VA	2.000	ST	

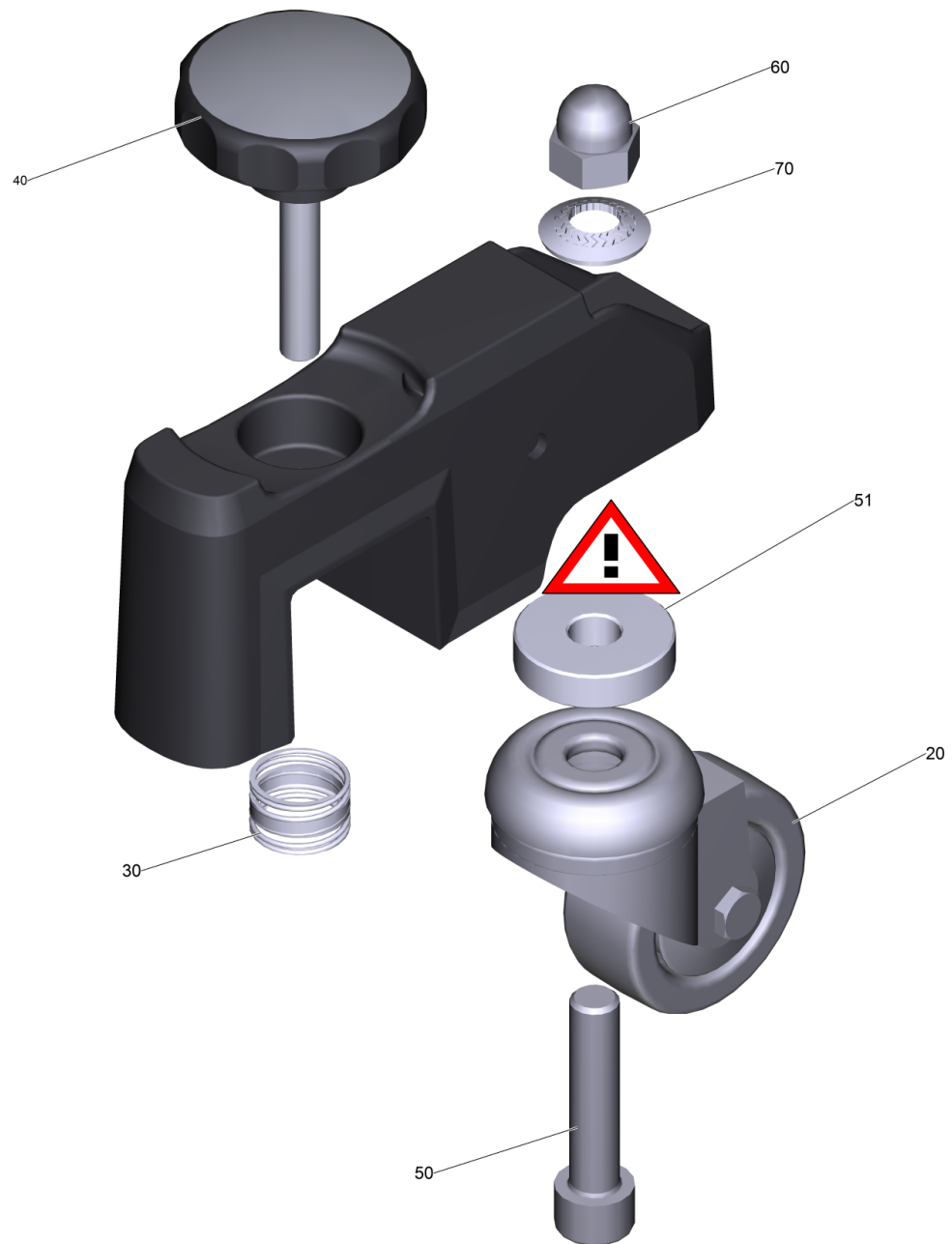




## 10 Suction bar pre-assembled curved 850mm

---

<b>POS</b>	<b>Article no.</b>	<b>Description</b>	<b>Quantity</b>	<b>Unit</b>
20	5.033-578.0	End piece inside left	1.000	ST
30	5.033-579.0	End piece inside right	1.000	ST



## 9000 Conversion kit support roller deep (4.035-281.0)

---

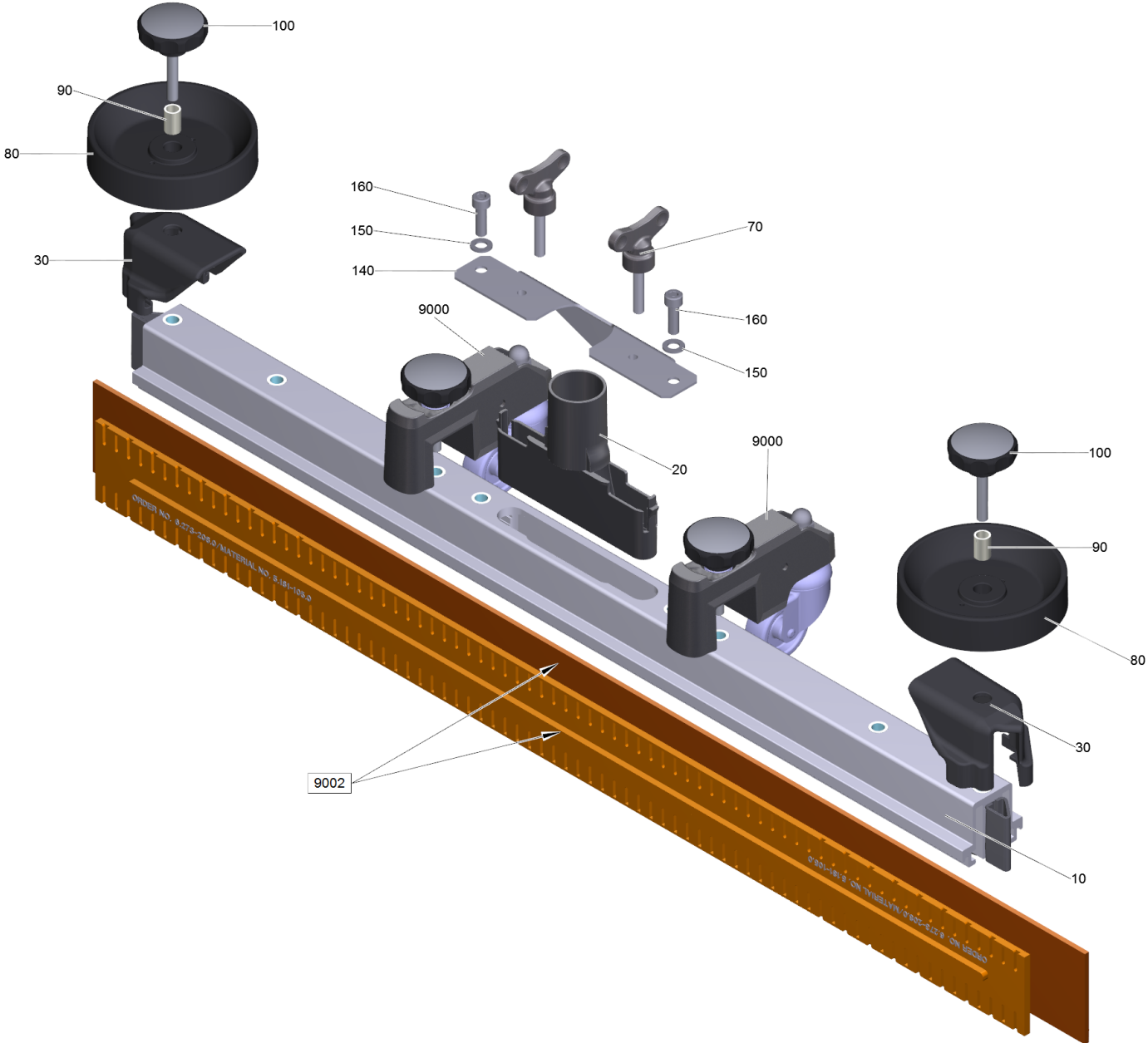
<b>POS</b>	<b>Article no.</b>	<b>Description</b>	<b>Quantity</b>	<b>Unit</b>
60	7.311-382.0	Cap nut M10-6-A3E DIN 1587	1.000	ST
20	6.435-179.0	Castor for thread deflector	1.000	ST
50	7.306-068.0	Cylinder head screw M10x45-8.8-A2K DIN	1.000	ST
30	5.332-554.0	Pressure spring	1.000	ST
70	6.996-526.0	Serrated locking washer d.10	1.000	ST
51	5.112-025.0	Spacer sleeve	1.000	ST
40	6.321-240.0	Star grip with inscription VA Ø50x43	1.000	ST

9002 BLADES FOR TEXTURED FLOORS (6.273-290.0)

---

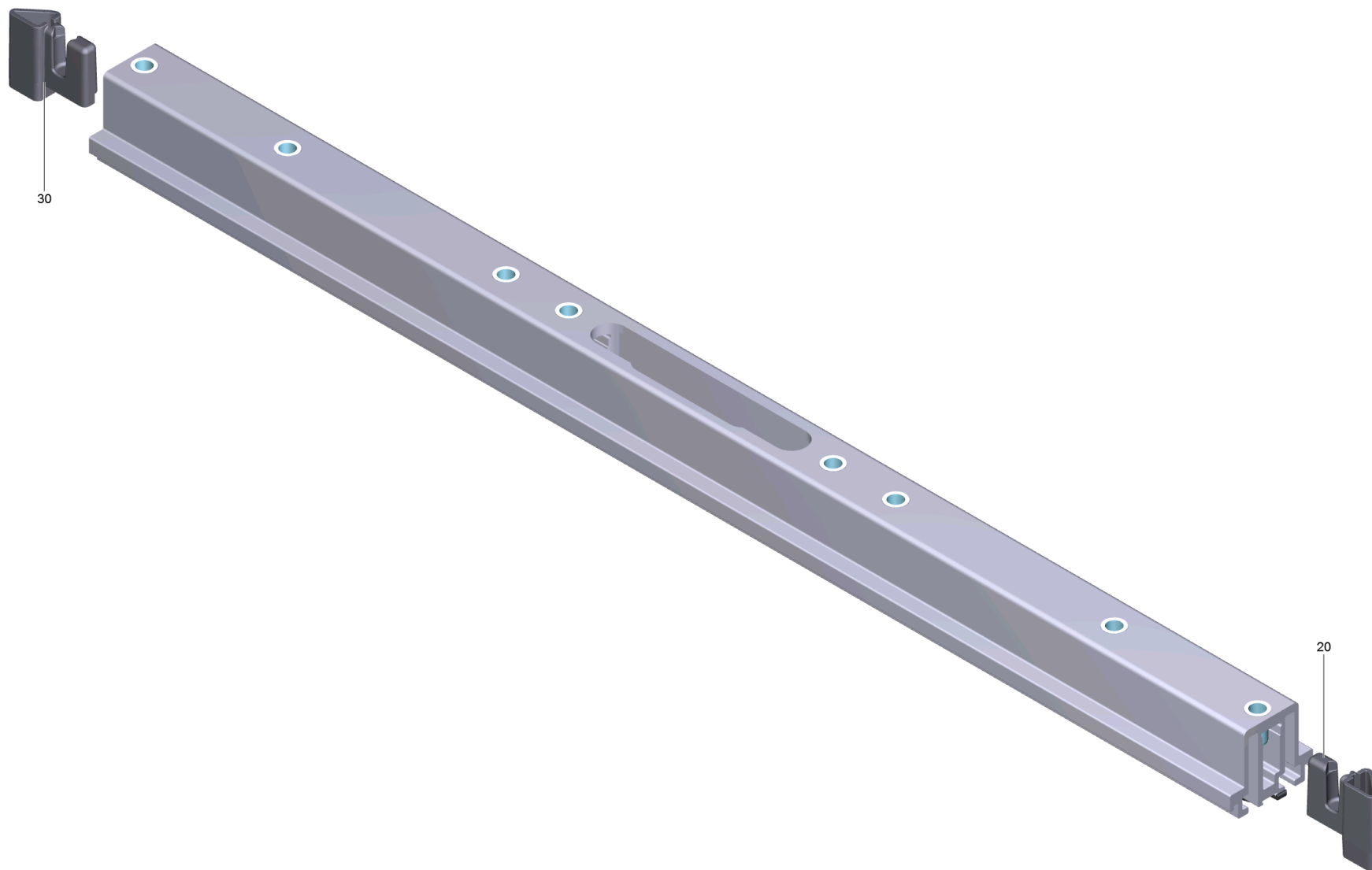
<b>POS</b>	<b>Article no.</b>	<b>Description</b>	<b>Quantity</b>	<b>Unit</b>
20	6.273-229.0	Rubber lip set anti stripe oil resistant	1.000	ST

9003 Suction bar straight 850mm (4.777-401.0)



9003 Suction bar straight 850mm (4.777-401.0)

POS	Article no.	Description	Quantity	Unit	Remark	Foot note text
9002	6.273-290.0	BLADES FOR TEXTURED FLOORS	1.000	ST		
9000	4.035-281.0	Conversion kit support roller deep	2.000	ST	VERSION 3	ORDER QTY. 2
160	7.306-142.0	Cylinder head screw M 8x25-A4-70 ISO 47	2.000	ST		
80	5.515-346.0	Deflector roll suction bar D120	2.000	ST		
30	2.885-294.0	End piece left / right spare parts set	1.000	ST		
9000	4.035-339.0	Roller suction bar	2.000	ST	VERSION 1	
9002	6.273-229.0	Rubber lip set anti stripe oil resistant	1.000	ST		
9002	6.273-207.0	Rubber lip set oil resistant BR- BD530,55	1.000	ZSA		
9002	6.273-213.0	Rubber lip set standard	1.000	ZSA		STANDARD
90	5.094-231.0	Sleeve suction bar in VA	2.000	ST		
100	6.321-243.0	Star grip stainless steel D50x48	2.000	ST		
10		Suction bar pre-assembled straight 850mm	1.000	ST		
140	5.100-559.0	Suction bar support plate	1.000	ST		
20	5.033-601.0	Suction nipple	1.000	ST		
9000	4.035-171.0	Support roller complete replacement	2.000	ST	VERSION 2	
150	7.312-017.0	Washer 8-A2 ISO 7089	2.000	ST		
70	5.305-008.0	Wing screw M8x30 VA	2.000	ST		

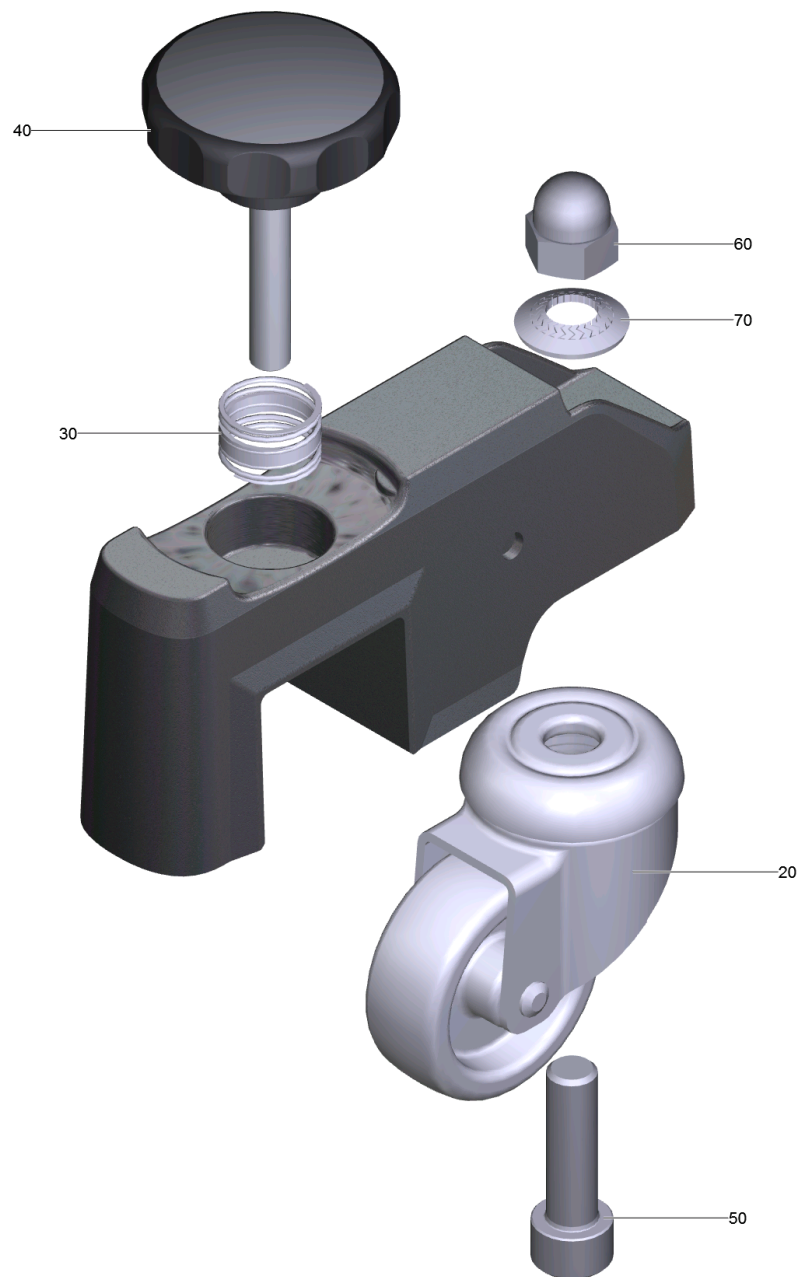


## 10 Suction bar pre-assembled straight 850mm

---

<b>POS</b>	<b>Article no.</b>	<b>Description</b>	<b>Quantity</b>	<b>Unit</b>
20	5.033-578.0	End piece inside left	1.000	ST
30	5.033-579.0	End piece inside right	1.000	ST

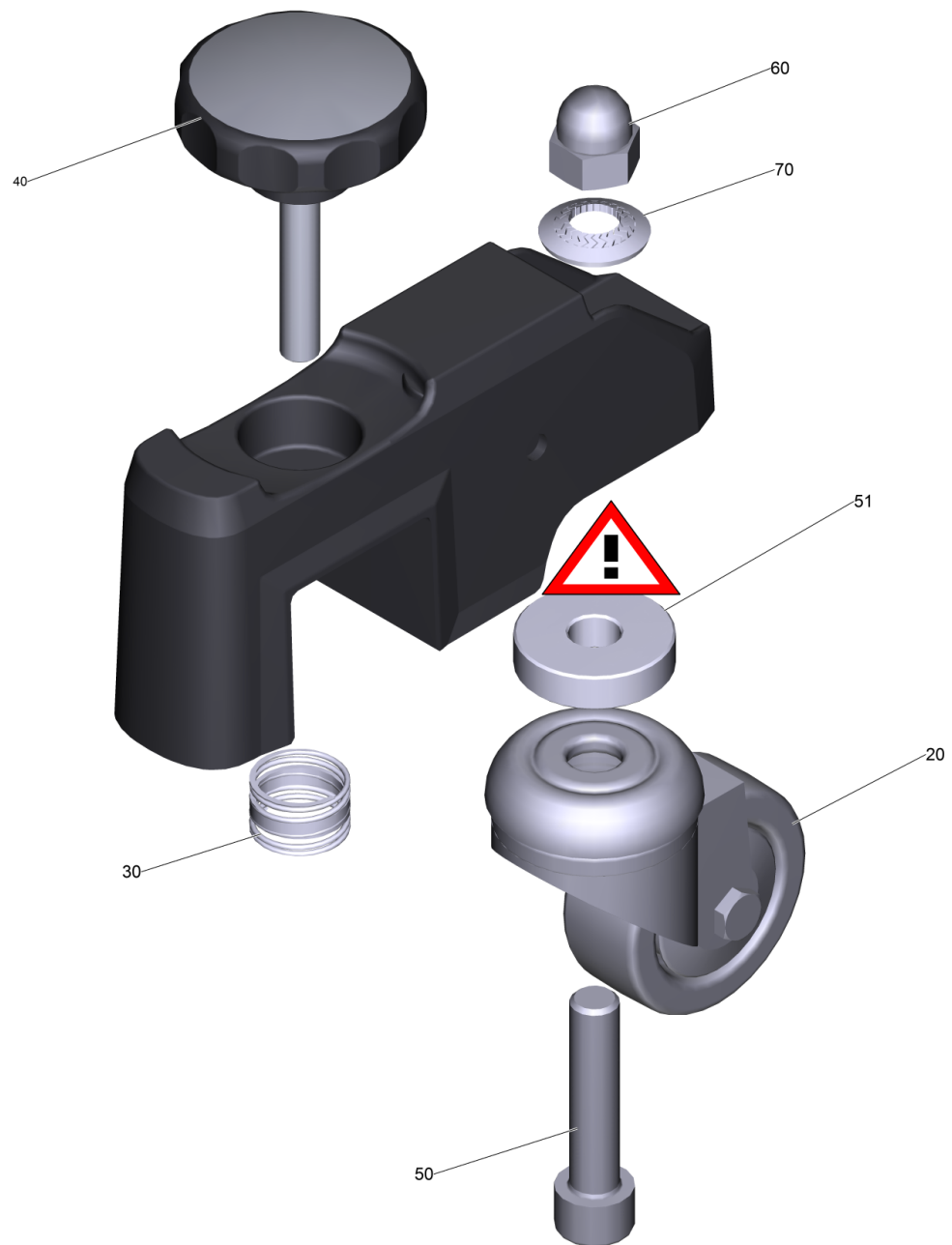




## 9000 Support roller complete replacement (4.035-171.0)

---

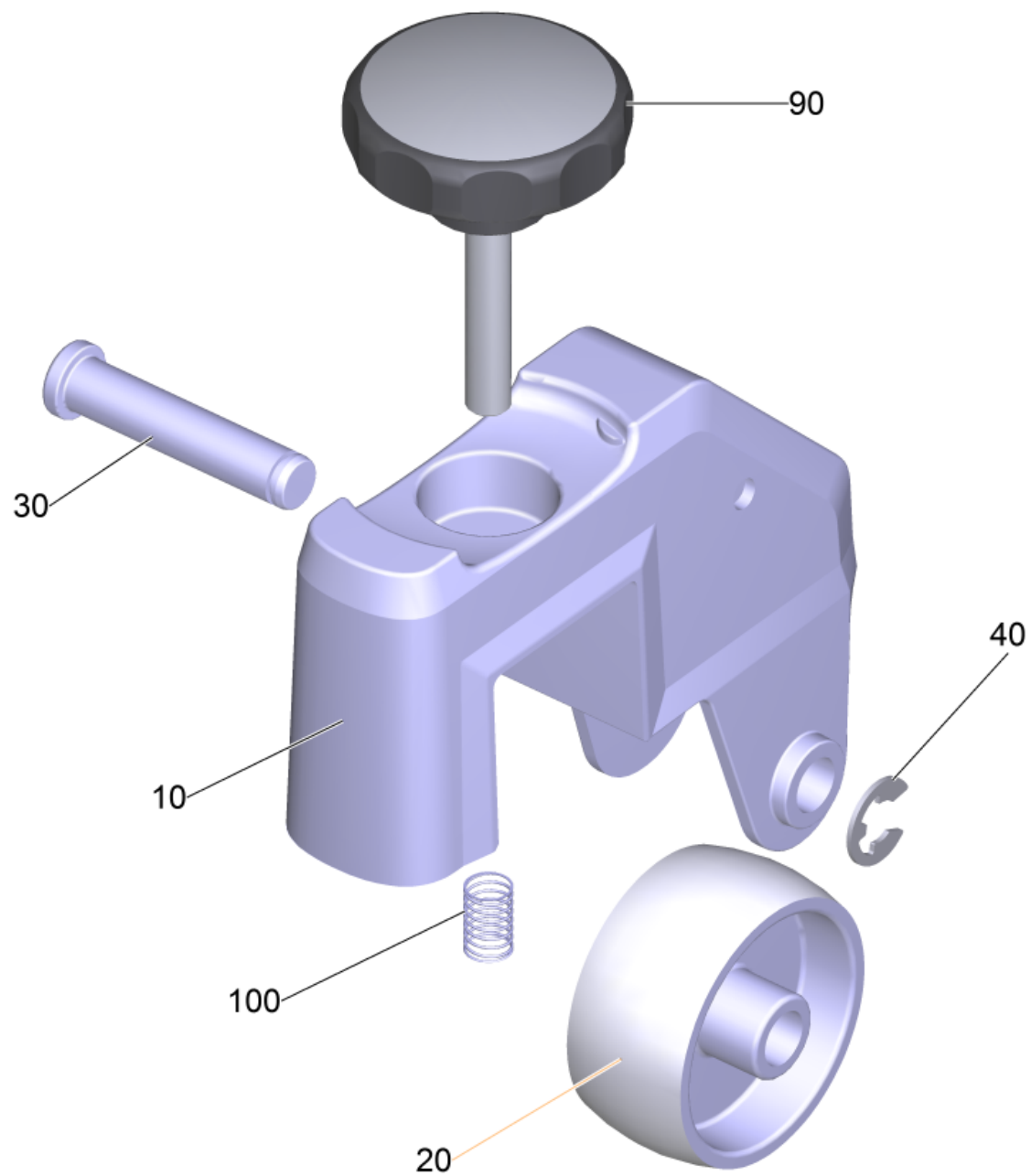
<b>POS</b>	<b>Article no.</b>	<b>Description</b>	<b>Quantity</b>	<b>Unit</b>
60	7.311-382.0	Cap nut M10-6-A3E DIN 1587	1.000	ST
20	6.435-179.0	Castor for thread deflector	1.000	ST
50	7.306-074.0	Cylinder head screw M10x35-8.8-A3E ISO4	1.000	ST
30	5.332-554.0	Pressure spring	1.000	ST
70	6.996-526.0	Serrated locking washer d.10	1.000	ST
40	6.321-240.0	Star grip with inscription VA Ø50x43	1.000	ST



## 9000 Conversion kit support roller deep (4.035-281.0)

---

<b>POS</b>	<b>Article no.</b>	<b>Description</b>	<b>Quantity</b>	<b>Unit</b>
60	7.311-382.0	Cap nut M10-6-A3E DIN 1587	1.000	ST
20	6.435-179.0	Castor for thread deflector	1.000	ST
50	7.306-068.0	Cylinder head screw M10x45-8.8-A2K DIN	1.000	ST
30	5.332-554.0	Pressure spring	1.000	ST
70	6.996-526.0	Serrated locking washer d.10	1.000	ST
51	5.112-025.0	Spacer sleeve	1.000	ST
40	6.321-240.0	Star grip with inscription VA Ø50x43	1.000	ST



9000 Roller suction bar (4.035-339.0)

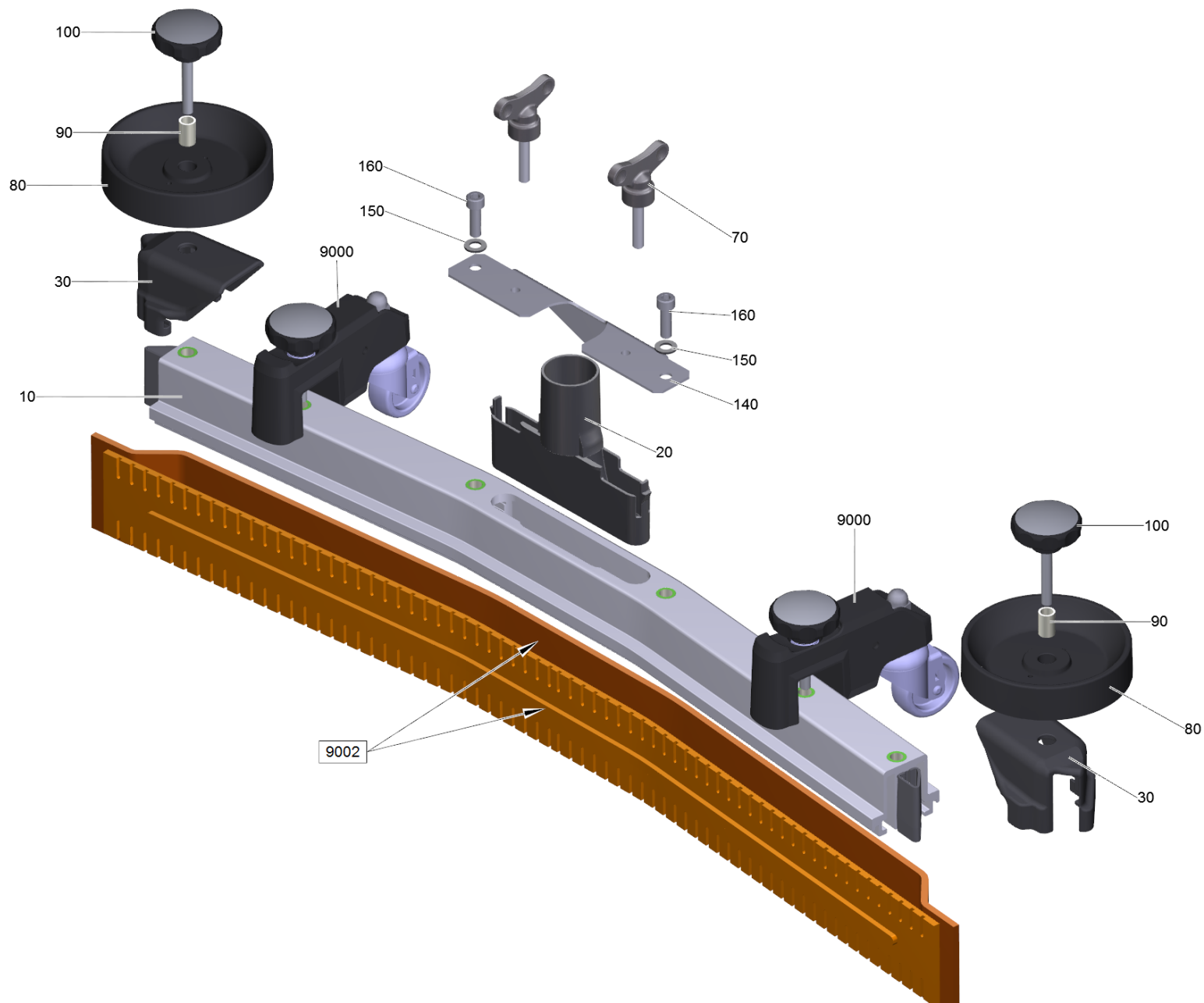
---

<b>POS</b>	<b>Article no.</b>	<b>Description</b>	<b>Quantity</b>	<b>Unit</b>
30	5.317-781.0	Bolt roller	1.000	ST
40	7.343-303.0	Locking ring 8-A2 DIN 6799	1.000	ST
100	5.332-504.0	Pressure spring	1.000	ST
10	5.101-139.0	Roller holder weight	1.000	ST
90	6.321-240.0	Star grip with inscription VA Ø50x43	1.000	ST
20	6.435-401.0	Wheel D54	1.000	ST

9002 BLADES FOR TEXTURED FLOORS (6.273-290.0)

---

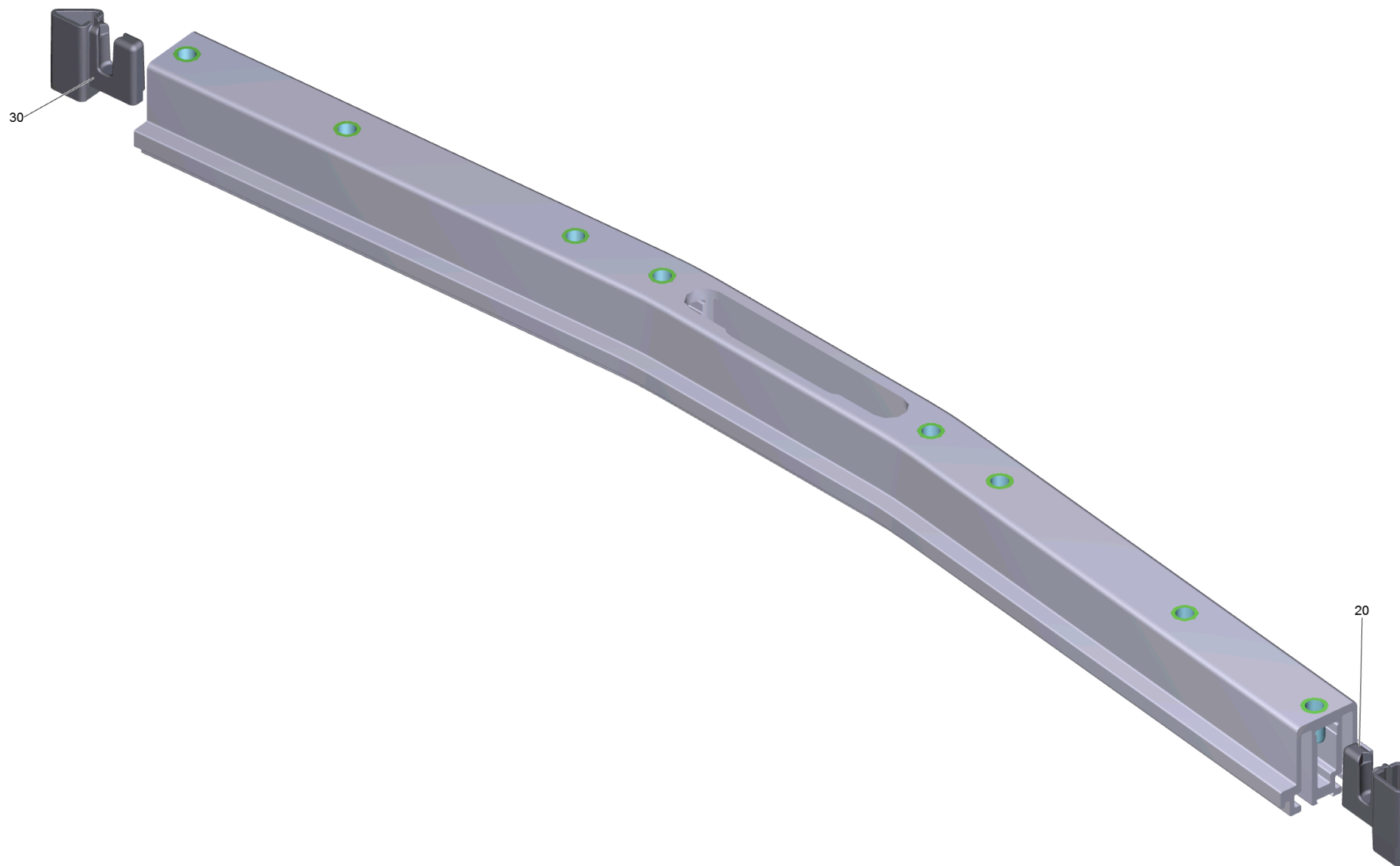
<b>POS</b>	<b>Article no.</b>	<b>Description</b>	<b>Quantity</b>	<b>Unit</b>
20	6.273-229.0	Rubber lip set anti stripe oil resistant	1.000	ST





9004 Suction bar curved 850mm (4.777-411.0)

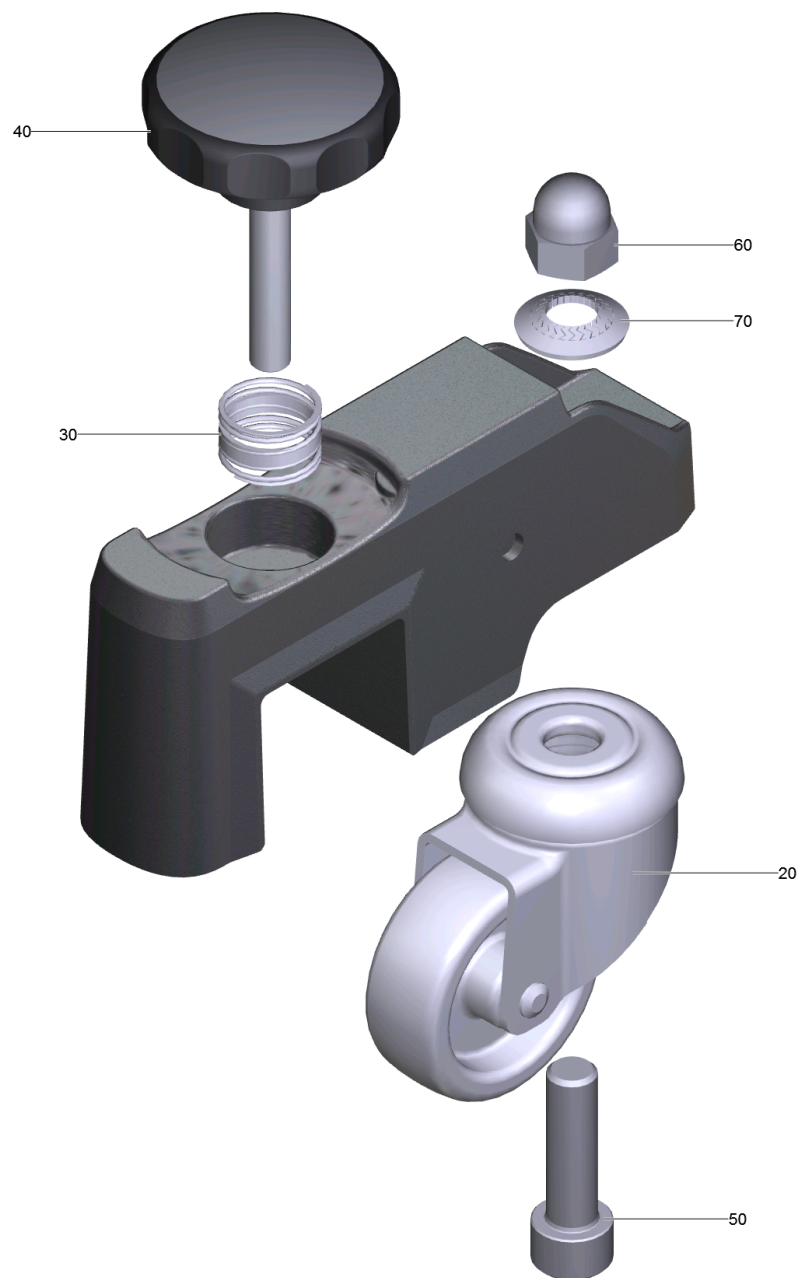
POS	Article no.	Description	Quantity	Unit	Remark	Foot note text
9002	6.273-290.0	BLADES FOR TEXTURED FLOORS	1.000	ST		
9000	4.035-281.0	Conversion kit support roller deep	2.000	ST	VERSION 3	ORDER QTY. 2
160	7.306-142.0	Cylinder head screw M 8x25-A4-70 ISO 47	2.000	ST		
80	5.515-346.0	Deflector roll suction bar D120	2.000	ST		
30	2.885-294.0	End piece left / right spare parts set	1.000	ST		
9000	4.035-339.0	Roller suction bar	2.000	ST	VERSION 1	
9002	6.273-229.0	Rubber lip set anti stripe oil resistant	1.000	ST		
9002	6.273-207.0	Rubber lip set oil resistant BR- BD530,55	1.000	ZSA		
9002	6.273-213.0	Rubber lip set standard	1.000	ZSA		STANDARD
90	5.094-231.0	Sleeve suction bar in VA	2.000	ST		
100	6.321-243.0	Star grip stainless steel D50x48	2.000	ST		
10		Suction bar pre-assembled curved 850mm	1.000	ST		
140	5.100-559.0	Suction bar support plate	1.000	ST		
20	5.033-601.0	Suction nipple	1.000	ST		
9000	4.035-171.0	Support roller complete replacement	2.000	ST	VERSION 2	
150	7.312-017.0	Washer 8-A2 ISO 7089	2.000	ST		
70	5.305-008.0	Wing screw M8x30 VA	2.000	ST		



## 10 Suction bar pre-assembled curved 850mm

---

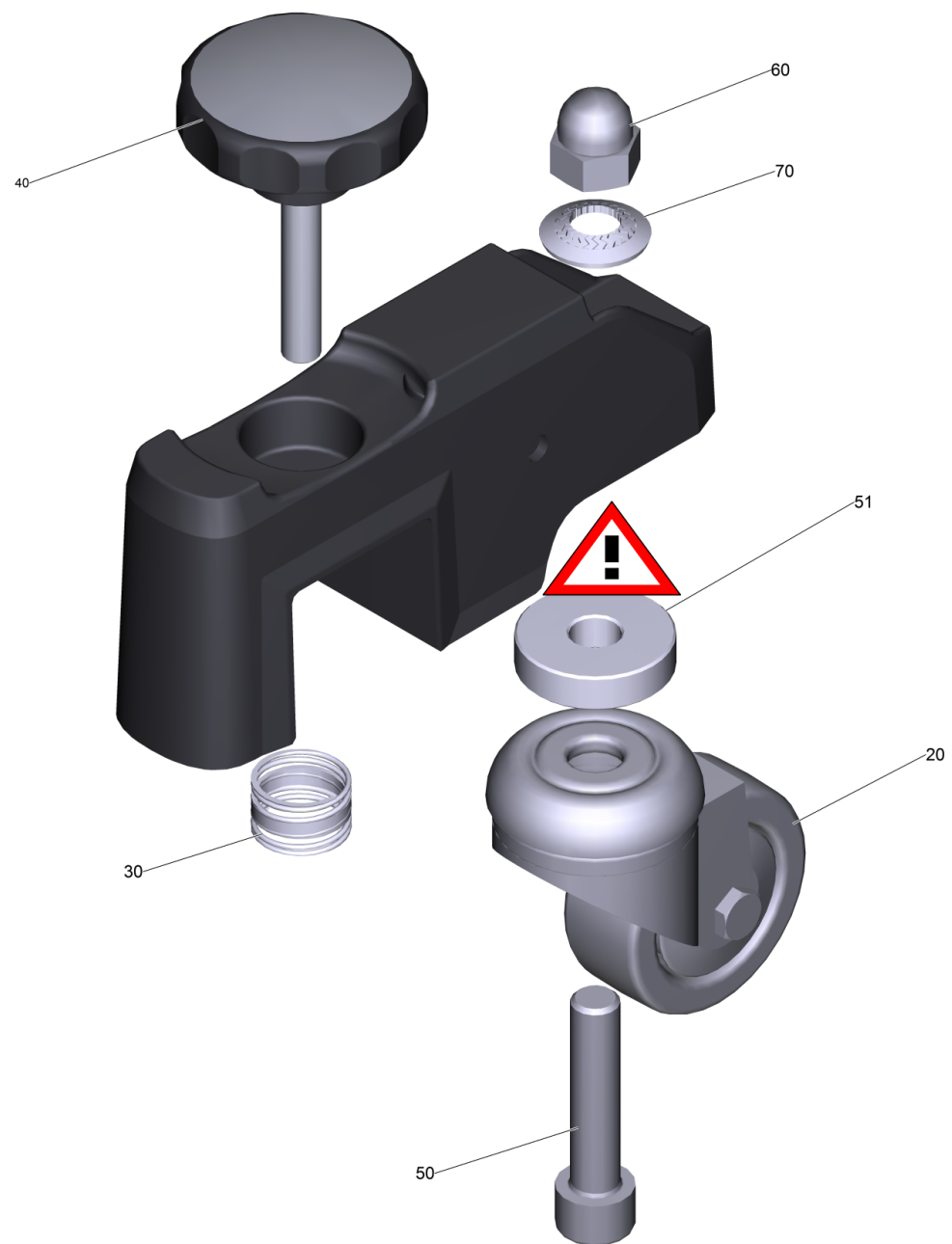
<b>POS</b>	<b>Article no.</b>	<b>Description</b>	<b>Quantity</b>	<b>Unit</b>
20	5.033-578.0	End piece inside left	1.000	ST
30	5.033-579.0	End piece inside right	1.000	ST



## 9000 Support roller complete replacement (4.035-171.0)

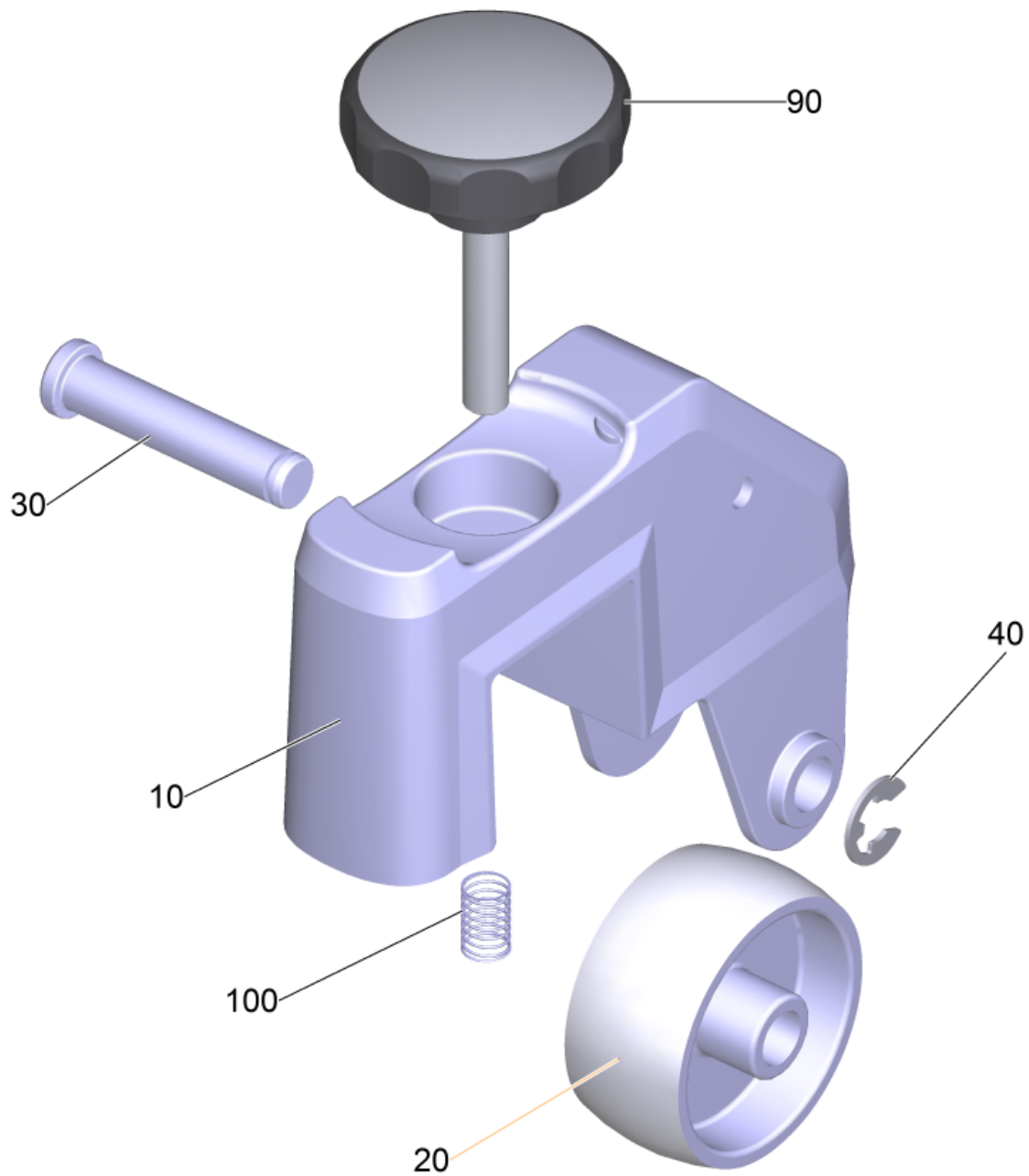
---

POS	Article no.	Description	Quantity	Unit
60	7.311-382.0	Cap nut M10-6-A3E DIN 1587	1.000	ST
20	6.435-179.0	Castor for thread deflector	1.000	ST
50	7.306-074.0	Cylinder head screw M10x35-8.8-A3E ISO4	1.000	ST
30	5.332-554.0	Pressure spring	1.000	ST
70	6.996-526.0	Serrated locking washer d.10	1.000	ST
40	6.321-240.0	Star grip with inscription VA Ø50x43	1.000	ST



9000 Conversion kit support roller deep (4.035-281.0)

POS	Article no.	Description	Quantity	Unit
60	7.311-382.0	Cap nut M10-6-A3E DIN 1587	1.000	ST
20	6.435-179.0	Castor for thread deflector	1.000	ST
50	7.306-068.0	Cylinder head screw M10x45-8.8-A2K DIN	1.000	ST
30	5.332-554.0	Pressure spring	1.000	ST
70	6.996-526.0	Serrated locking washer d.10	1.000	ST
51	5.112-025.0	Spacer sleeve	1.000	ST
40	6.321-240.0	Star grip with inscription VA Ø50x43	1.000	ST





9000 Roller suction bar (4.035-339.0)

---

<b>POS</b>	<b>Article no.</b>	<b>Description</b>	<b>Quantity</b>	<b>Unit</b>
30	5.317-781.0	Bolt roller	1.000	ST
40	7.343-303.0	Locking ring 8-A2 DIN 6799	1.000	ST
100	5.332-504.0	Pressure spring	1.000	ST
10	5.101-139.0	Roller holder weight	1.000	ST
90	6.321-240.0	Star grip with inscription VA Ø50x43	1.000	ST
20	6.435-401.0	Wheel D54	1.000	ST

9002 BLADES FOR TEXTURED FLOORS (6.273-290.0)

---

<b>POS</b>	<b>Article no.</b>	<b>Description</b>	<b>Quantity</b>	<b>Unit</b>
20	6.273-229.0	Rubber lip set anti stripe oil resistant	1.000	ST