

## **Spare parts list**

(1.180-130.0) K 3.550 \*EU

## Table of contents

K 3.550 *EU (1.180-130.0)	4
201 Spare parts list K3.550 Modul Range (5.971-153.0)	5
10 Housing	6
1 Spare parts set hook hose (2.885-283.0)	8
20 Pump set	10
21 Housing	12
11 Spare parts set cylinder head WCP (9.001-693.0)	14
10 Head end WCM c/guarnizioni Tuico (9.002-552.0)	16
11 Spare parts set cylinder head WCP (9.001-693.0)	18
10 Head end WCM c/guarnizioni Tuico (9.002-552.0)	20
22 Housing	22
11 Spare parts set cylinder head WCP (9.001-693.0)	24
10 Head end WCM c/guarnizioni Tuico (9.002-552.0)	26
11 Spare parts set cylinder head WCP (9.001-693.0)	28
10 Head end WCM c/guarnizioni Tuico (9.002-552.0)	30
20 inlet fitting Ratio1 spare parts (9.001-980.0)	32
23 Housing	34
6 pressure piston HR (spare) (9.002-028.0)	36
11 Spare parts set cylinder head WCP (9.001-693.0)	38
10 Head end WCM c/guarnizioni Tuico (9.002-552.0)	40
11 Spare parts set cylinder head WCP (9.001-693.0)	42
10 Head end WCM c/guarnizioni Tuico (9.002-552.0)	44
20 inlet fitting Ratio1 spare parts (9.001-980.0)	46
24 Thrust guidance	48
30 Motor	50
31 Motor	51
7 Covering cap motor complete (9.001-918.0)	53
7 Set motor cover H70 Wcm (9.001-935.0)	55
32 Motor	57
Spare part motor 9013-3940 (9.002-394.0)	59
1 Motor H80 GB Mod. (90857220)	61
901 Covering cap motor complete (9.001-918.0)	63
7 Covering cap motor complete (9.001-918.0)	65
7 Set motor cover H70 Wcm (9.001-935.0)	67
40 Accessories	69
41 Hand trigger gun	70
G 180 Q Trigger gun Quick Connect (2.642-889.0)	72
2 H 9 Q high pressure hose Quick Connect (2.641-721.0)	74

## Table of contents

---

42 Jet pipe	76
43 Surface cleaner	78
1 Single-step jet pipe extension (2.643-240.0)	80
7 Spare parts nozzles T-Racer (2.643-338.0)	82
44 Surface cleaner	85
1 Single-step jet pipe extension (2.643-240.0)	87
7 Spare parts nozzles T-Racer (2.643-338.0)	89
45 Power Brush	92
50 Electric box	94
spare part ebox 9013-3800 (9.002-397.0)	96

K 3.550 \*EU (1.180-130.0)

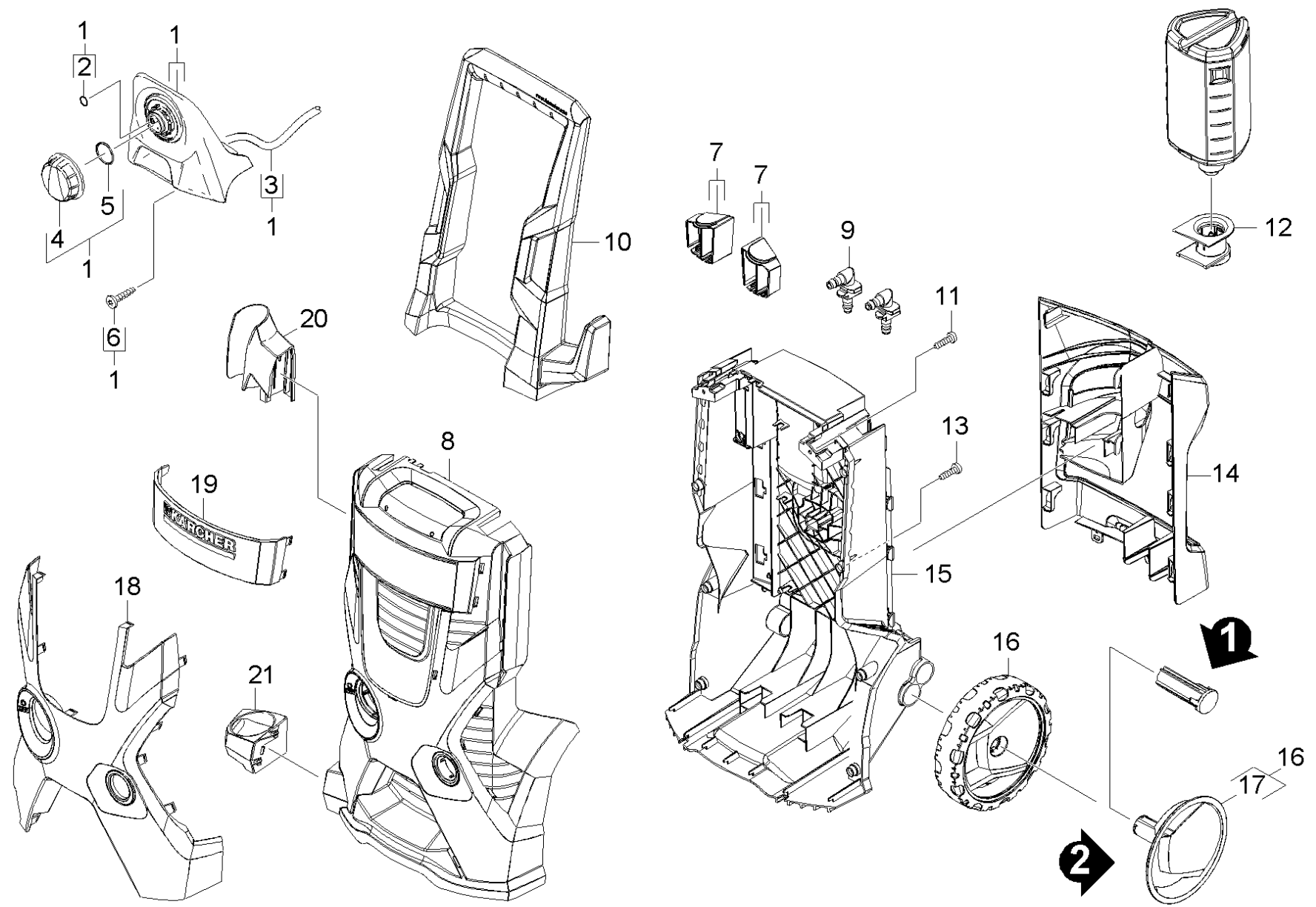
---

<b>POS</b>	<b>Article no.</b>	<b>Description</b>	<b>Quantity</b>	<b>Unit</b>
201	5.971-153.0	Spare parts list K3.550 Modul Range	1	PC

201 Spare parts list K3.550 Modul Range (5.971-153.0)

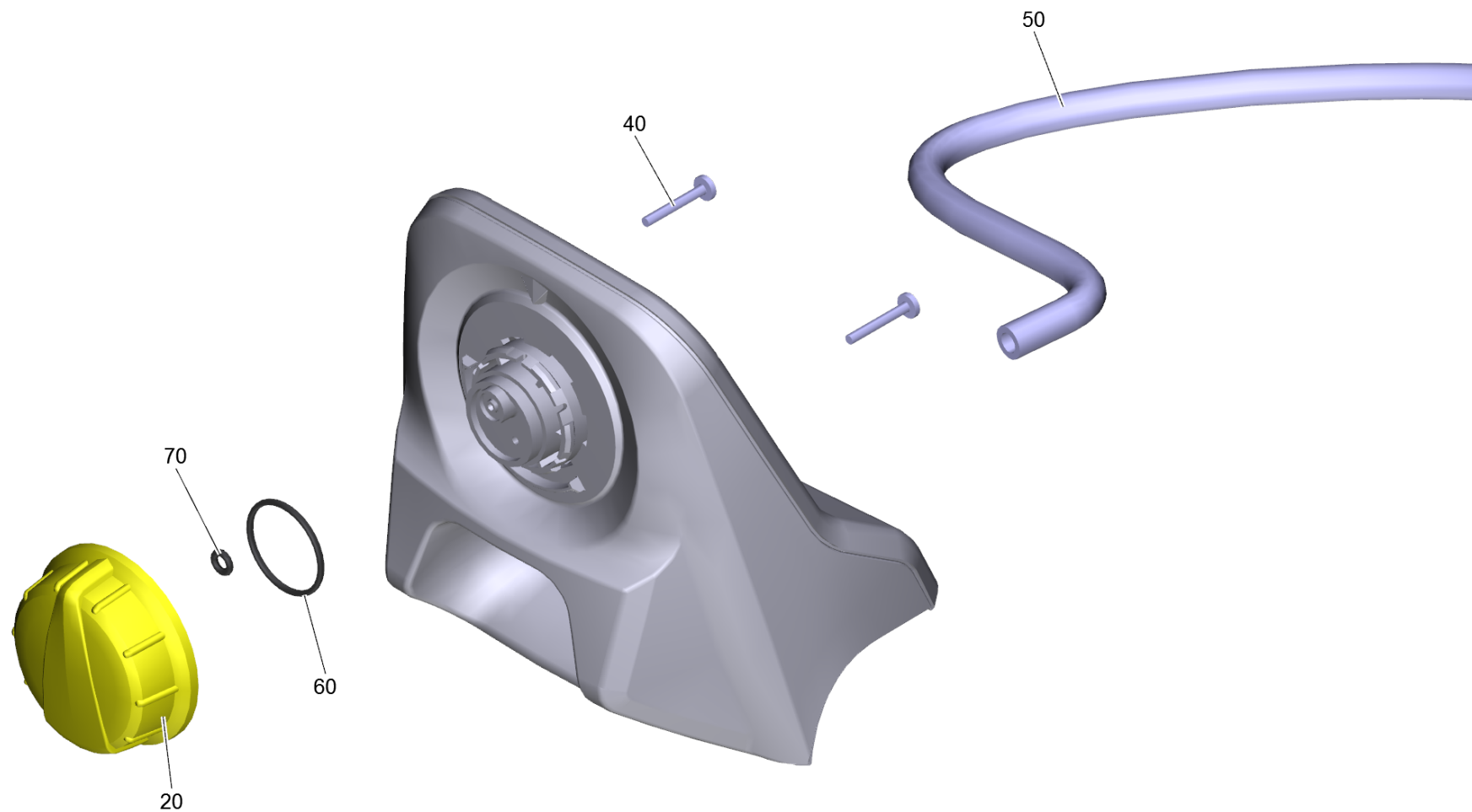
---

<b>POS</b>	<b>Description</b>	<b>Quantity</b>	<b>Unit</b>
10	Housing	1	PC
20	Pump set	1	PC
30	Motor	1	PC
40	Accessories	1	PC
50	Electric box	1	PC



## 10 Housing

POS	Article no.	Description	Quantity	Unit	Foot note text
1	2.885-283.0	Spare parts set hook hose	1	PC	
2	6.363-018.0	O-Ring seal 4X2	1	PC	
3	6.390-426.0	Hose DN 5	1	m	TO ORDER AS CUT GOODS
4	9.037-621.0	Handhold chemistry	1	PC	
5	6.362-522.0	O-Ring seal 24,0 X 2,0	1	PC	
6	9.086-203.0	Screw 4x22	2	PC	
7	9.001-743.0	Set covering cap	1	PC	
8	9.037-634.0	Cover yellow Modular	1	PC	
	<b>Item text1:</b> 1.180-130.0 /-131.0 /-132.0 /-133.0 /				
	<b>Item text2:</b> -134.0 /-135.0 /-136.0 /-137.0 /-139.0				
8	9.038-016.0	Cover	1	PC	
	<b>Item text1:</b> 1.180-138.0				
9	9.037-861.0	Nipple 90° Mod.Range	2	PC	
10	9.037-625.0	Handhold Compact	1	PC	
11	9.086-203.0	Screw 4x22	2	PC	
12	9.012-681.0	RM retainer station	1	PC	
13	9.086-221.0	Screw ATF 4.1x22	8	PC	
	<b>Item text1:</b> 1.180-130.0				
13	9.086-221.0	Screw ATF 4.1x22	8	PC	
14	9.038-023.0	Holder accessories EU-USA	1	PC	
15	9.037-871.0	Housing rear WCM Modular	1	PC	
16	5.515-397.3	Wheel only for replacement	2	PC	
17	7.777-999.0	Stockpiling discontinued	1	PC	SET OF 2 PIECES
18	9.037-630.0	Cover yellow X -TOP	1	PC	
	<b>Item text1:</b> 1.180-138.0				
19	9.001-766.0	Covering cap complete silver	1	PC	
20	9.037-618.0	Holder pistol above	1	PC	
21	9.037-619.0	Holder pistol bottom	1	PC	

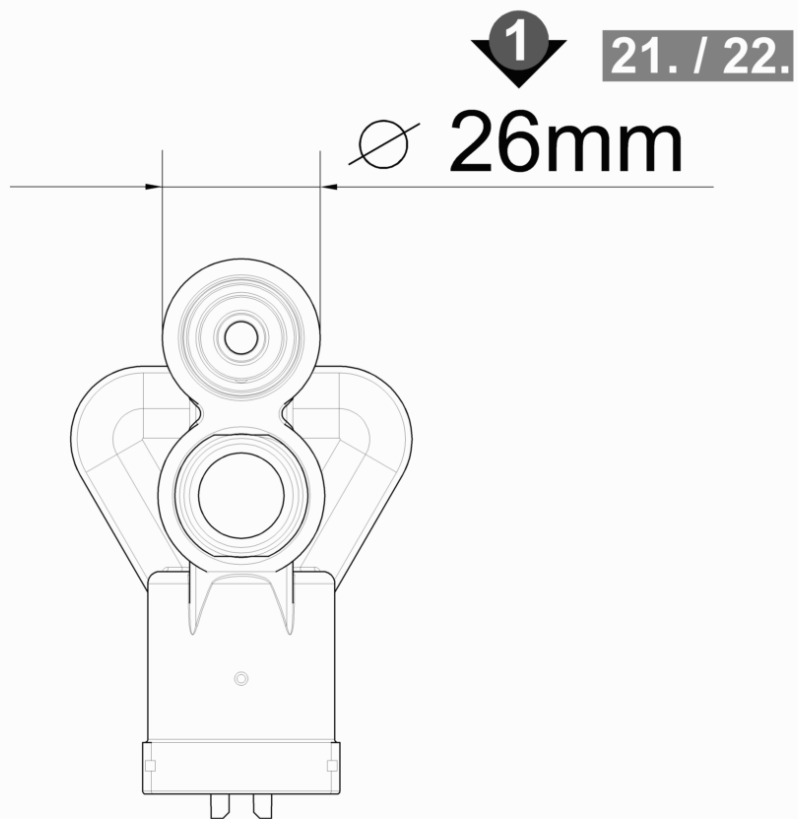




## 1 Spare parts set hook hose (2.885-283.0)

---

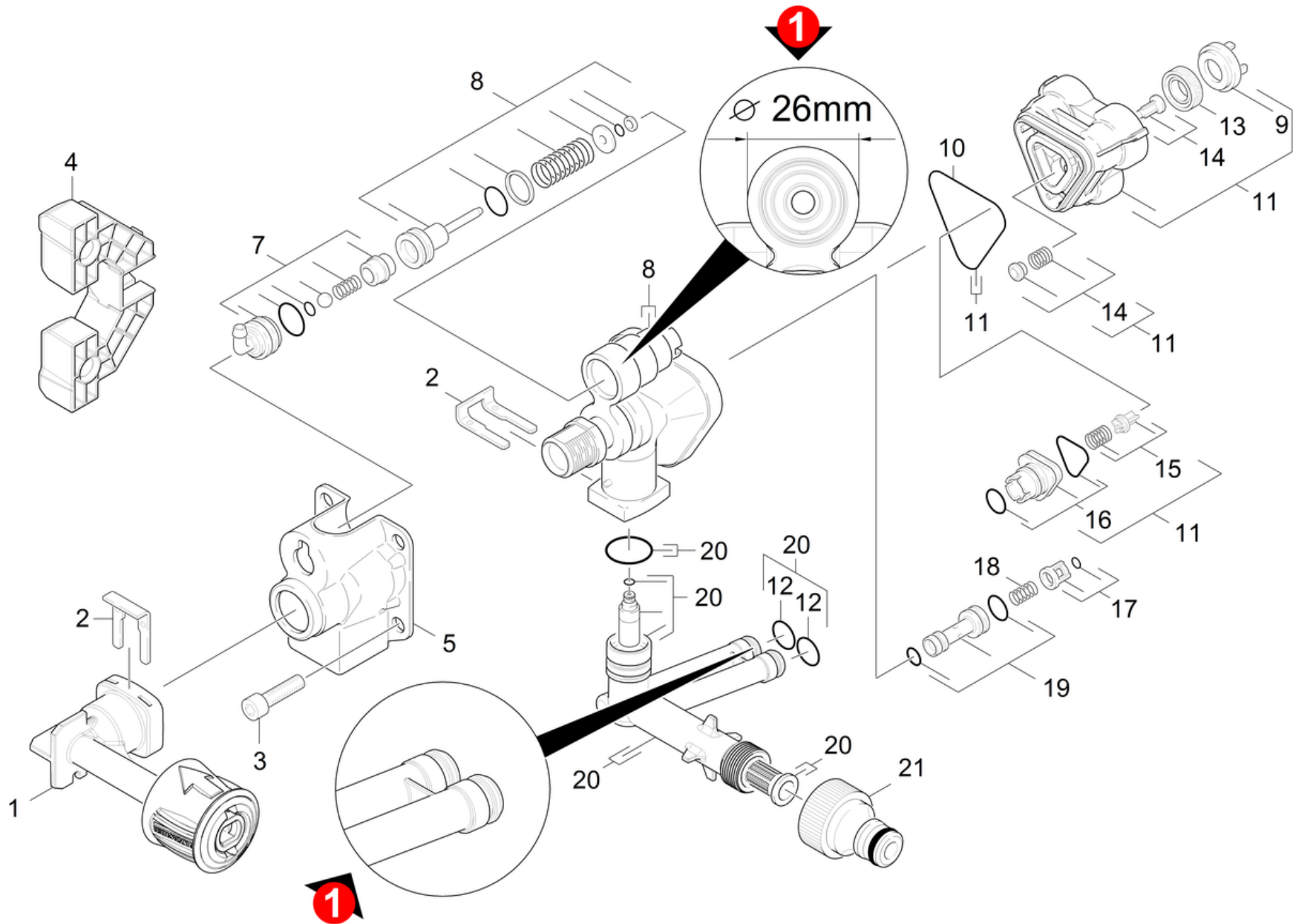
<b>POS</b>	<b>Article no.</b>	<b>Description</b>	<b>Quantity</b>	<b>Unit</b>
20	9.037-621.0	Handhold chemistry	1	PC
40	9.086-203.0	Screw 4x22	2	PC
50	6.390-426.0	Hose DN 5	1	m
60	6.362-522.0	O-Ring seal 24,0 X 2,0	1	PC
70	6.363-018.0	O-Ring seal 4X2	1	PC



## 20 Pump set

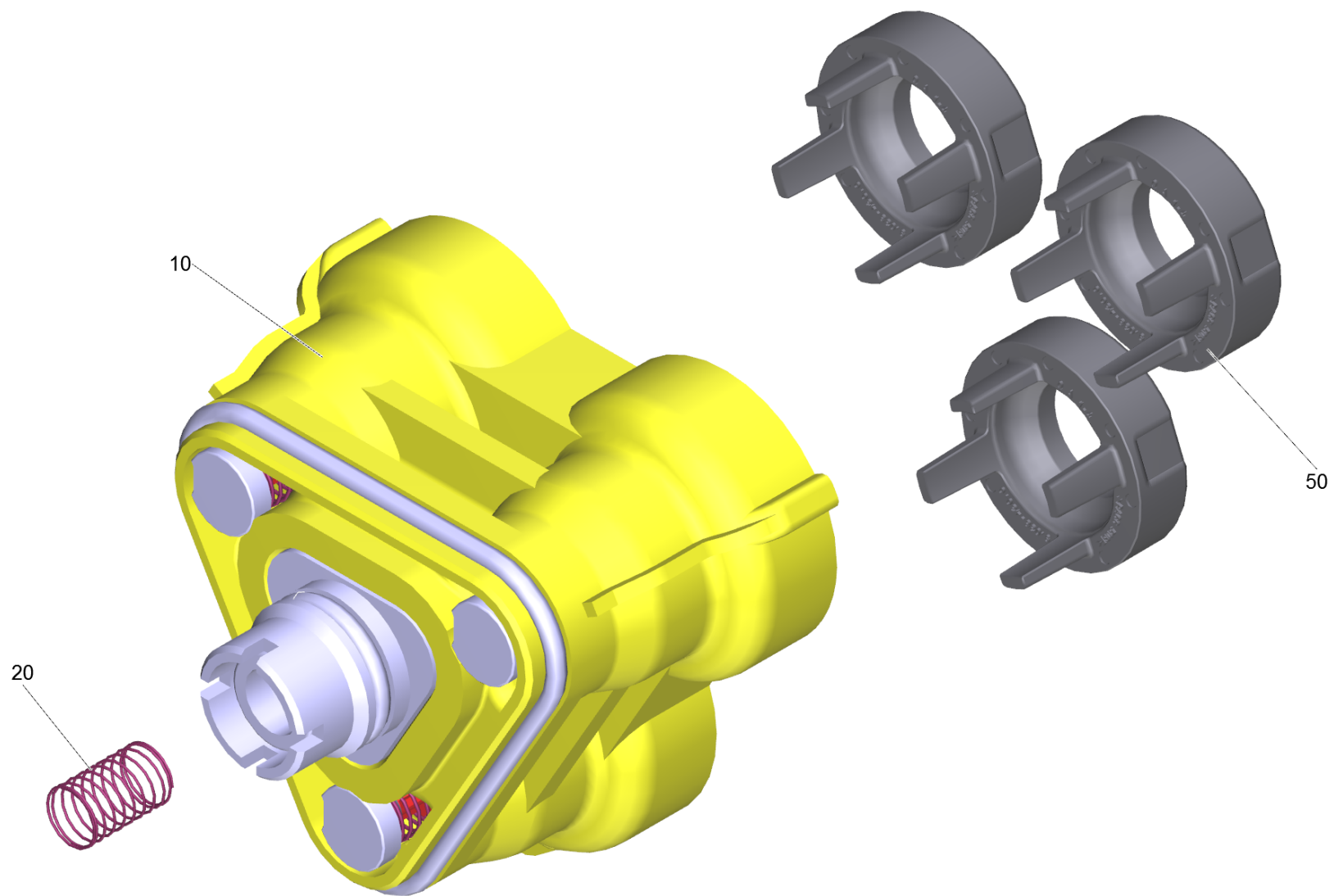
---

<b>POS</b>	<b>Description</b>	<b>Quantity</b>	<b>Unit</b>	<b>Foot note text</b>
21	Housing	1	PC	VERSION 1
22	Housing	1	PC	VERSION 2
23	Housing	1	PC	VERSION 3
24	Thrust guidance	1	PC	



## 21 Housing

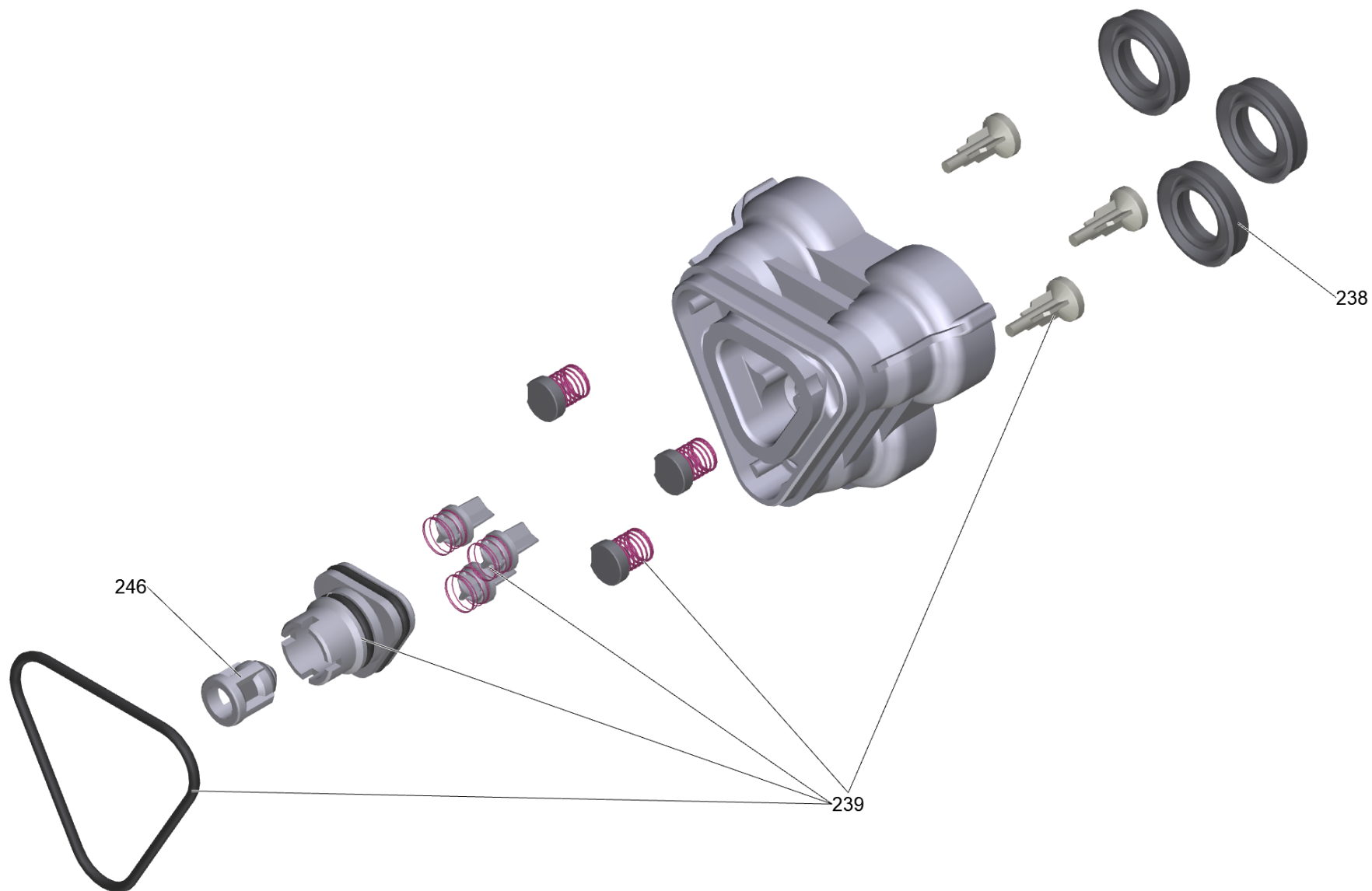
POS	Article no.	Description	Quantity	Unit	Foot note text
1	9.001-749.0	High-pressure outlet complete	1	PC	
2	9.039-148.0	Metal fork	2	PC	
3	9.086-200.0	Screw M 8x55 Class 8.8	4	PC	
4	9.037-673.0	Bracket pump (bridge)	1	PC	
5	9.039-308.0	Cover K130	1	PC	
7	9.001-741.0	Aspiration cleaning agents for replaceme	1	PC	
8	9.002-010.0	Conversion kit housing new D=22mm	1	PC	
9	9.038-428.0	Supportring 6,7 mm	3	PC	
		<b>Item text1:</b> all other machines			
9	9.038-428.0	Supportring 6,7 mm	3	PC	
		<b>Item text1:</b> 1.180-151.0/-154.0/100.0/-130.0/-150.0/ <b>Item text2:</b> -153.0/-156.0/-163.0			
10	9.081-422.0	Form seal	1	PC	
11	9.001-693.0	Spare parts set cylinder head WCP	1	PC	
		<b>Item text1:</b> 1.180-151.0/-154.0/100.0/-130.0/-150.0/ <b>Item text2:</b> -153.0/-156.0/-163.0			
11	9.001-693.0	Spare parts set cylinder head WCP	1	PC	
		<b>Item text1:</b> all other machines			
12	9.080-455.0	Seal 10x2,8	2	PC	
13	6.362-875.0	Grooved ring	3	PC	
14	9.001-110.0	Moulded part complete	1	PC	SET CONSISTS OF 3X MACHINED PART COMPL.
15	9.001-149.0	Spare parts set valve	1	PC	SET CONSITSTS OF 3X VALVE
16	9.001-106.0	Joining piece	1	PC	
17	9.001-107.0	Cage complete	1	PC	
18	9.047-026.0	Spring	1	PC	
19	9.001-108.0	Injector complete	1	PC	
20	9.001-782.0	Spare parts set suction side	1	PC	
21	6.465-031.0	Connection 3/4	1	PC	



## 11 Spare parts set cylinder head WCP (9.001-693.0)

---

<b>POS</b>	<b>Article no.</b>	<b>Description</b>	<b>Quantity</b>	<b>Unit</b>
10	9.002-552.0	Head end WCM c/guarnizioni Tuico	1	PC
20	9.047-026.0	Spring	3	PC
50	9.038-428.0	Supportring 6,7 mm	3	PC

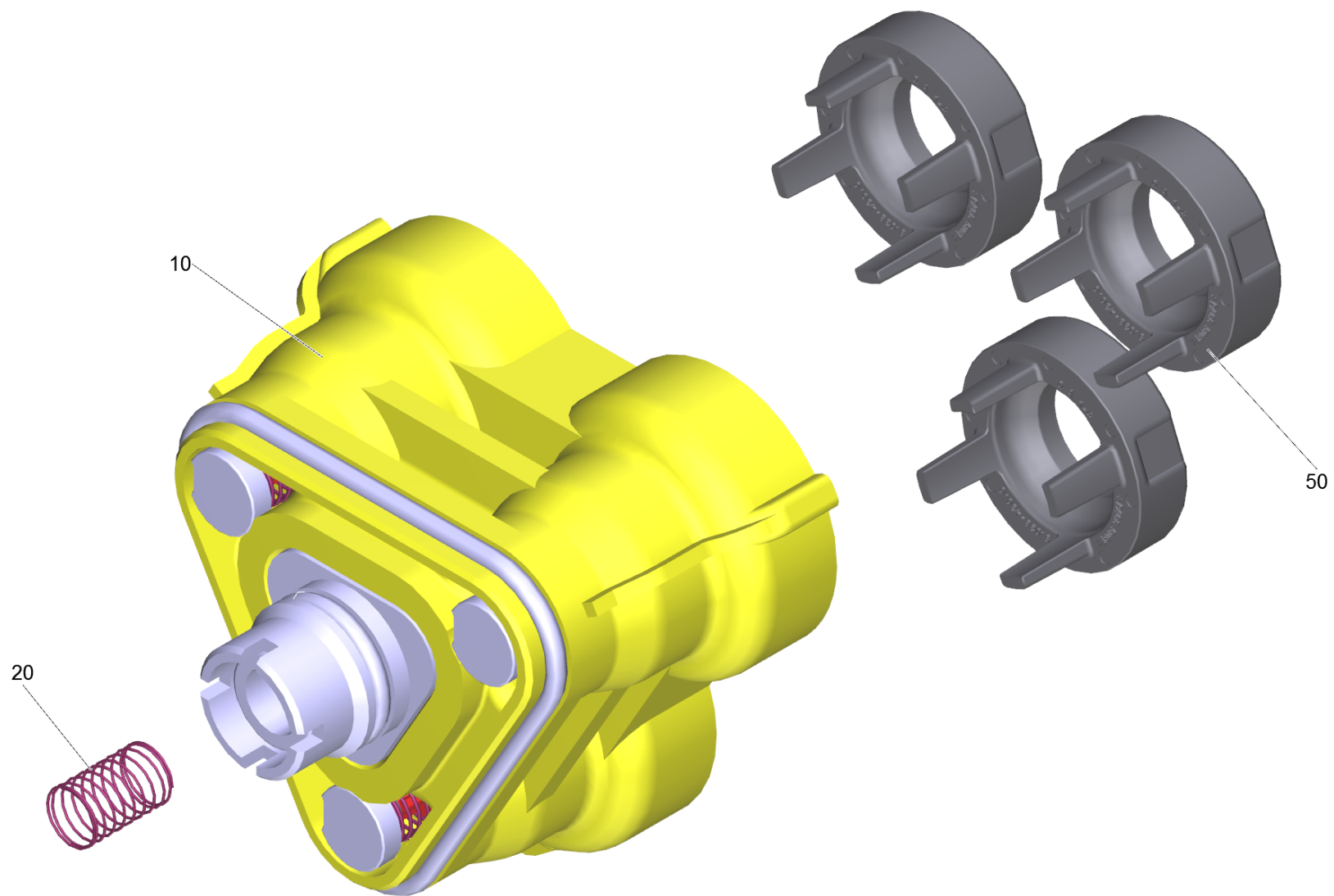




10 Head end WCM c/guarnizioni Tuico (9.002-552.0)

---

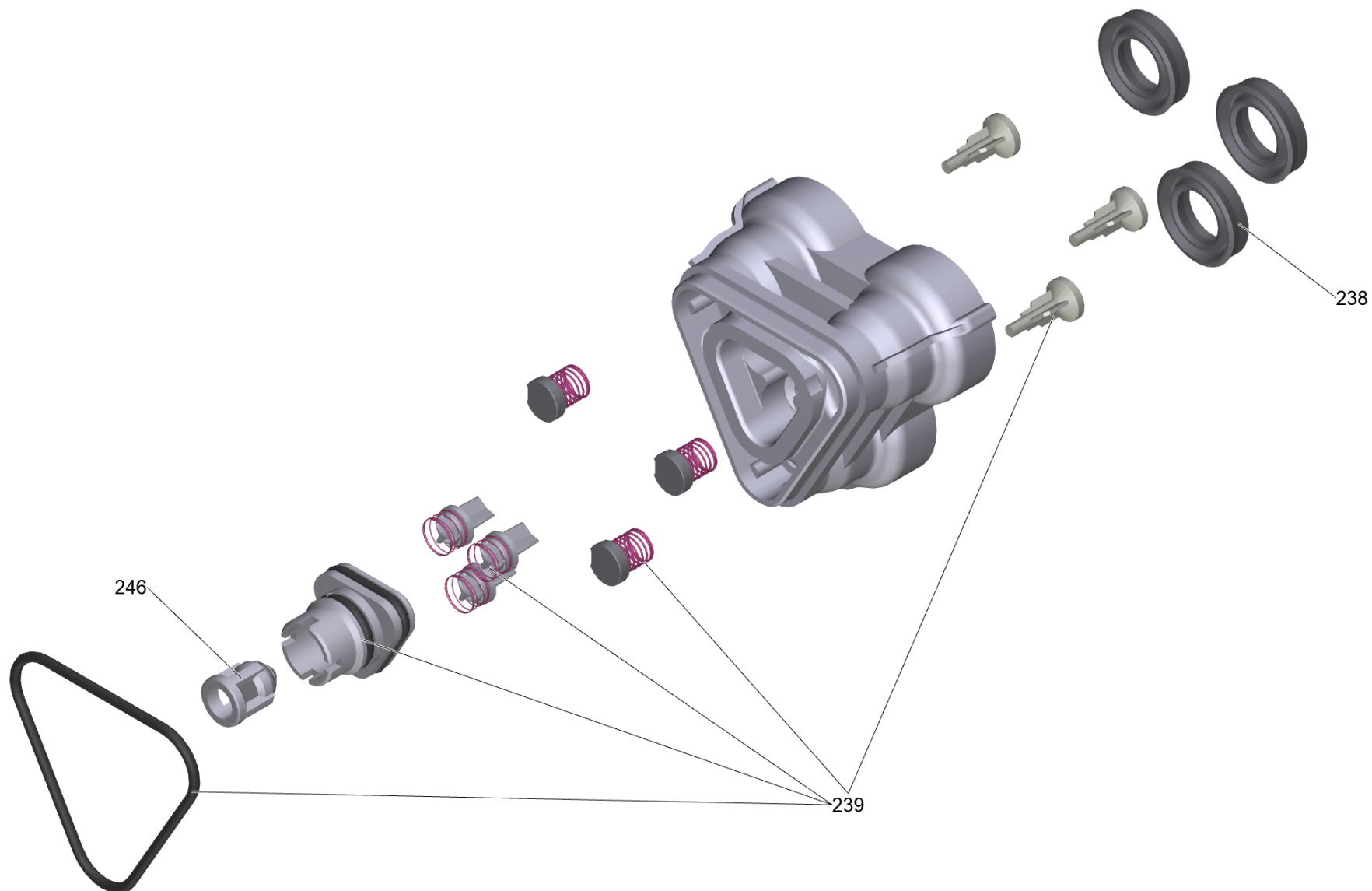
<b>POS</b>	<b>Article no.</b>	<b>Description</b>	<b>Quantity</b>	<b>Unit</b>
238	4.100-832.0	Spare parts set seals	3	PC
239	4.100-830.0	Spare parts set valves	1	PC
246	9.001-107.0	Cage complete	1	PC



## 11 Spare parts set cylinder head WCP (9.001-693.0)

---

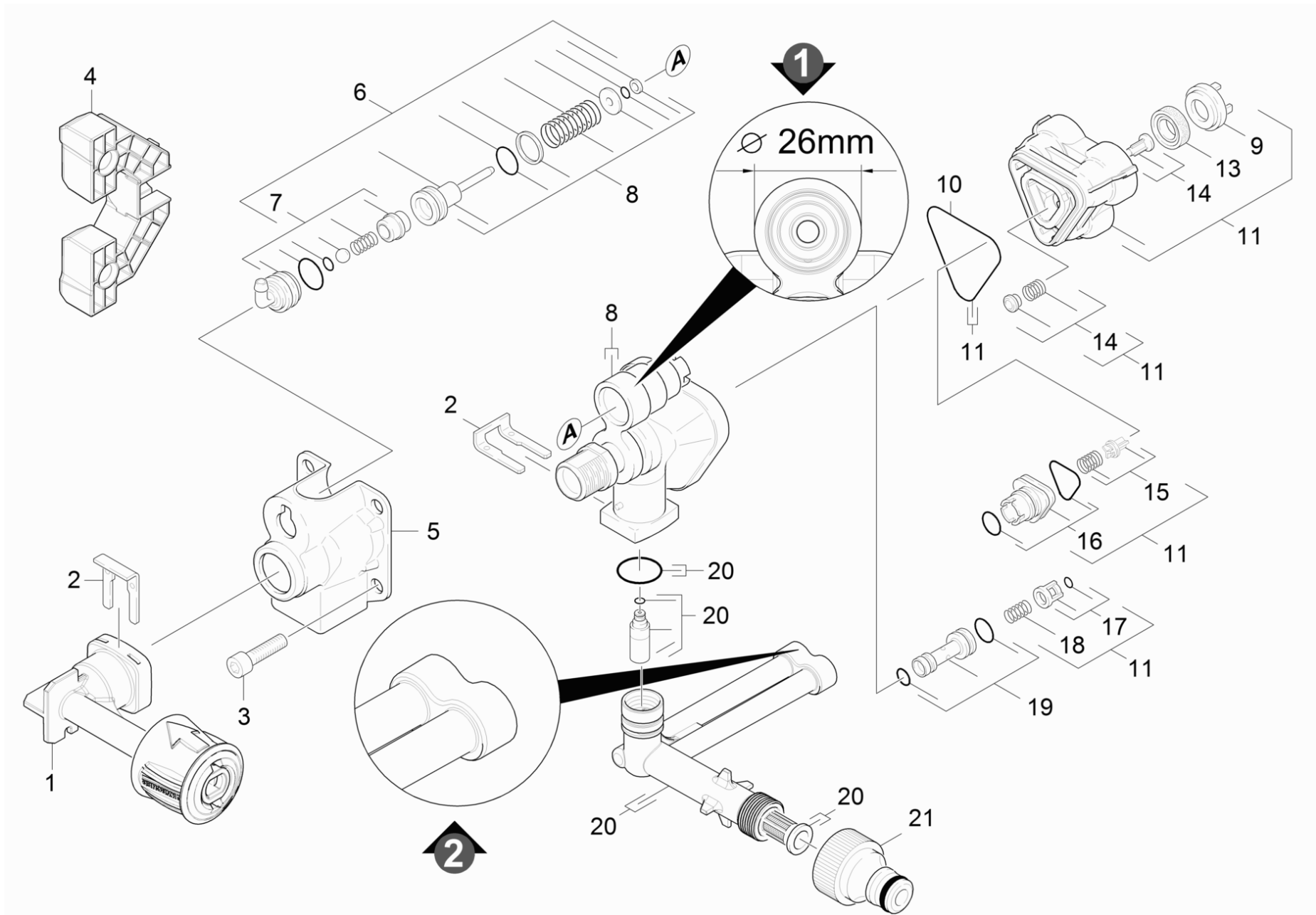
<b>POS</b>	<b>Article no.</b>	<b>Description</b>	<b>Quantity</b>	<b>Unit</b>
10	9.002-552.0	Head end WCM c/guarnizioni Tuico	1	PC
20	9.047-026.0	Spring	3	PC
50	9.038-428.0	Supportring 6,7 mm	3	PC



10 Head end WCM c/guarnizioni Tuico (9.002-552.0)

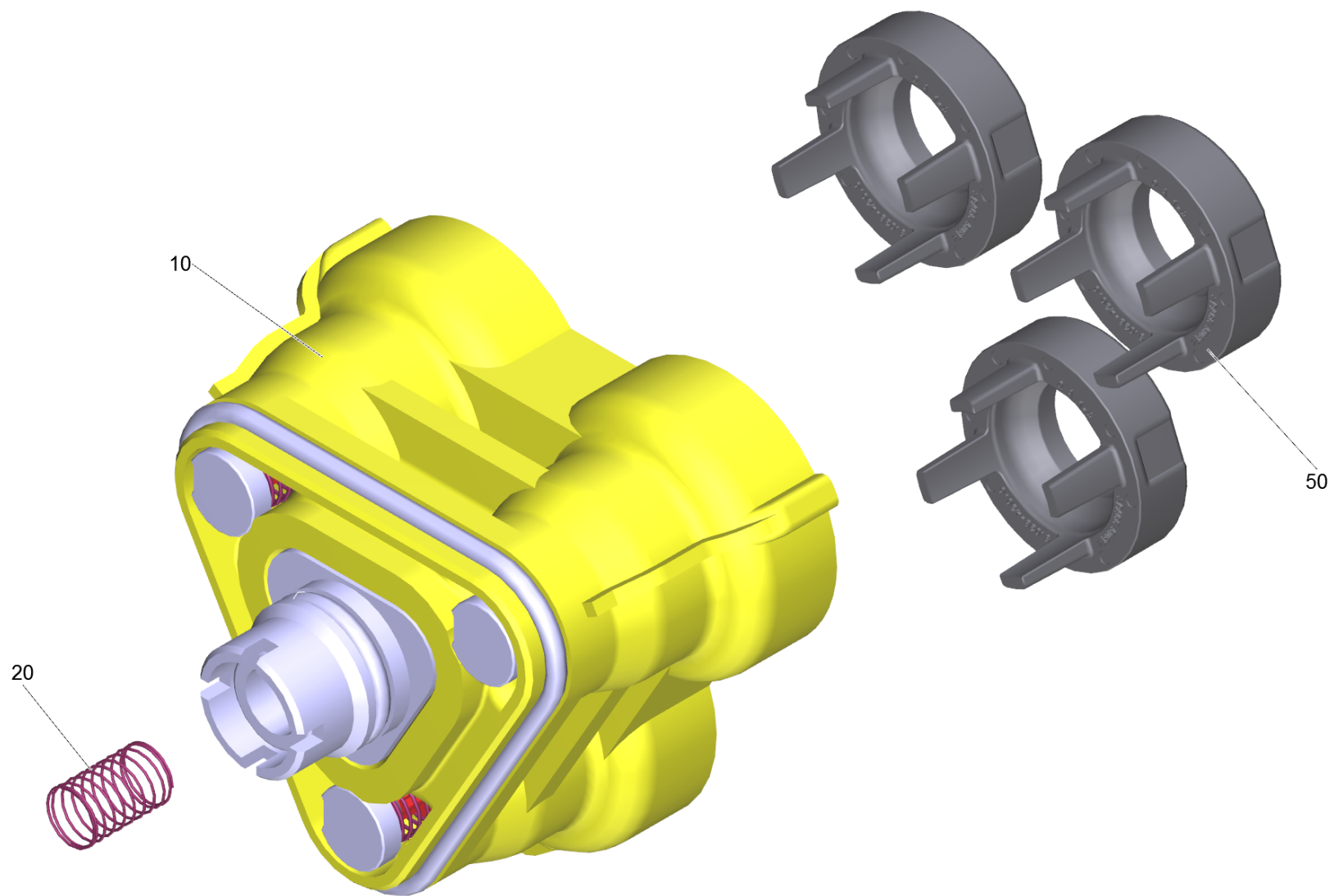
---

<b>POS</b>	<b>Article no.</b>	<b>Description</b>	<b>Quantity</b>	<b>Unit</b>
238	4.100-832.0	Spare parts set seals	3	PC
239	4.100-830.0	Spare parts set valves	1	PC
246	9.001-107.0	Cage complete	1	PC



## 22 Housing

POS	Article no.	Description	Quantity	Unit	Foot note text
1	9.001-749.0	High-pressure outlet complete	1	PC	
2	9.039-148.0	Metal fork	2	PC	
3	9.086-200.0	Screw M 8x55 Class 8.8	4	PC	
4	9.037-673.0	Bracket pump (bridge)	1	PC	
5	9.039-308.0	Cover K130	1	PC	
6	9.001-981.0	Piston and water intake wcm	1	PC	
7	9.001-741.0	Aspiration cleaning agents for replaceme	1	PC	
8	9.002-010.0	Conversion kit housing new D=22mm	1	PC	
9	9.038-428.0	Supportring 6,7 mm	3	PC	
		<b>Item text1:</b> all other machines			
9	9.038-428.0	Supportring 6,7 mm	3	PC	
		<b>Item text1:</b> 1.180-151.0/-154.0/100.0/-130.0/-150.0/ <b>Item text2:</b> -153.0/-156.0/-163.0			
10	9.081-422.0	Form seal	1	PC	
11	9.001-693.0	Spare parts set cylinder head WCP	1	PC	
		<b>Item text1:</b> all other machines			
11	9.001-693.0	Spare parts set cylinder head WCP	1	PC	
		<b>Item text1:</b> 1.180-151.0/-154.0/100.0/-130.0/-150.0/ <b>Item text2:</b> -153.0/-156.0/-163.0			
12	9.080-455.0	Seal 10x2,8	2	PC	
13	6.362-875.0	Grooved ring	3	PC	
14	9.001-110.0	Moulded part complete	1	PC	SET CONSISTS OF 3X MACHINED PART COMPL.
15	9.001-149.0	Spare parts set valve	1	PC	SET CONSITSTS OF 3X VALVE
16	9.001-106.0	Joining piece	1	PC	
17	9.001-107.0	Cage complete	1	PC	
18	9.047-026.0	Spring	1	PC	
19	9.001-108.0	Injector complete	1	PC	
20	9.001-980.0	inlet fitting Ratio1 spare parts	1	PC	
21	6.465-031.0	Connection 3/4	1	PC	

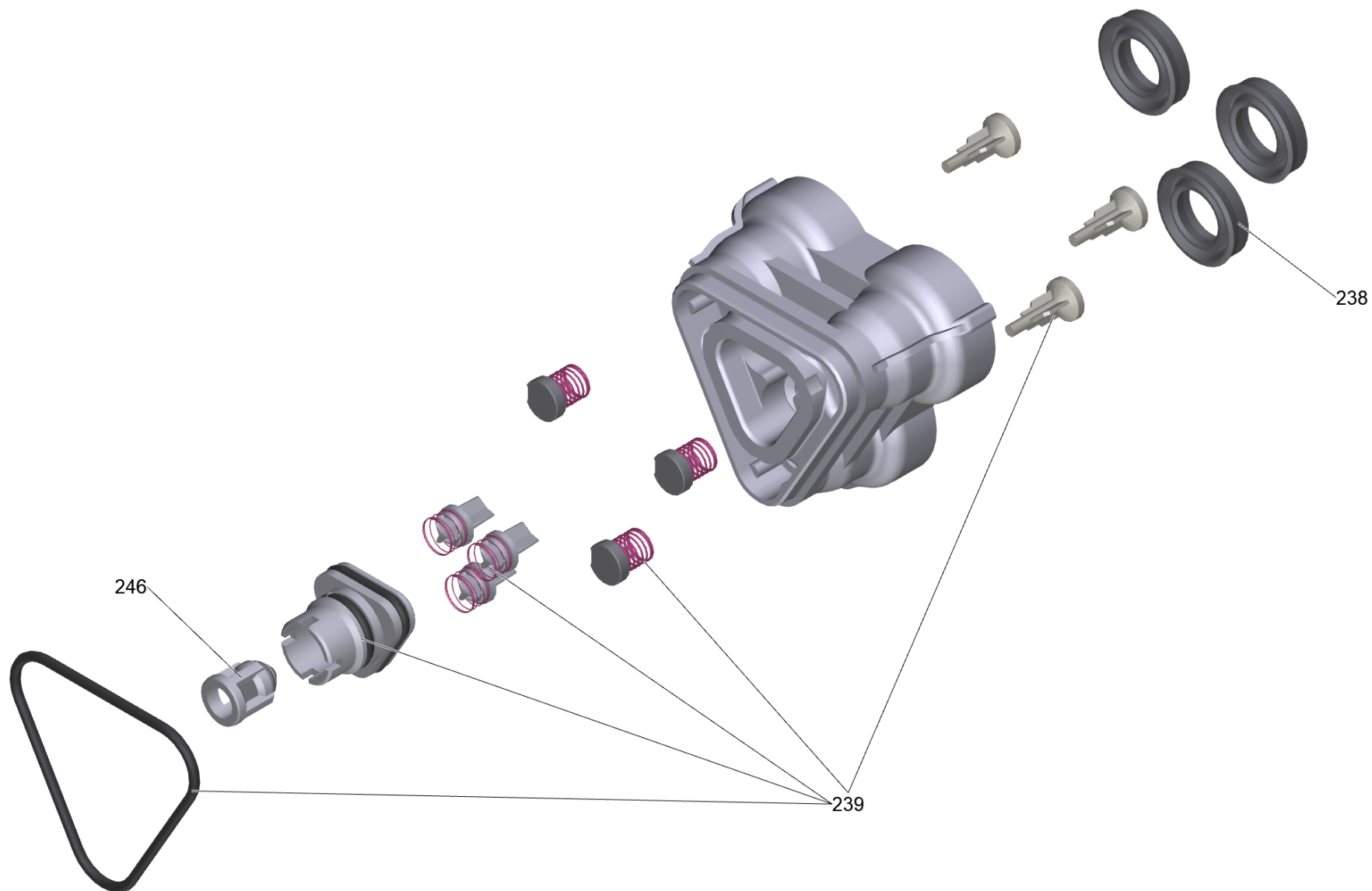




## 11 Spare parts set cylinder head WCP (9.001-693.0)

---

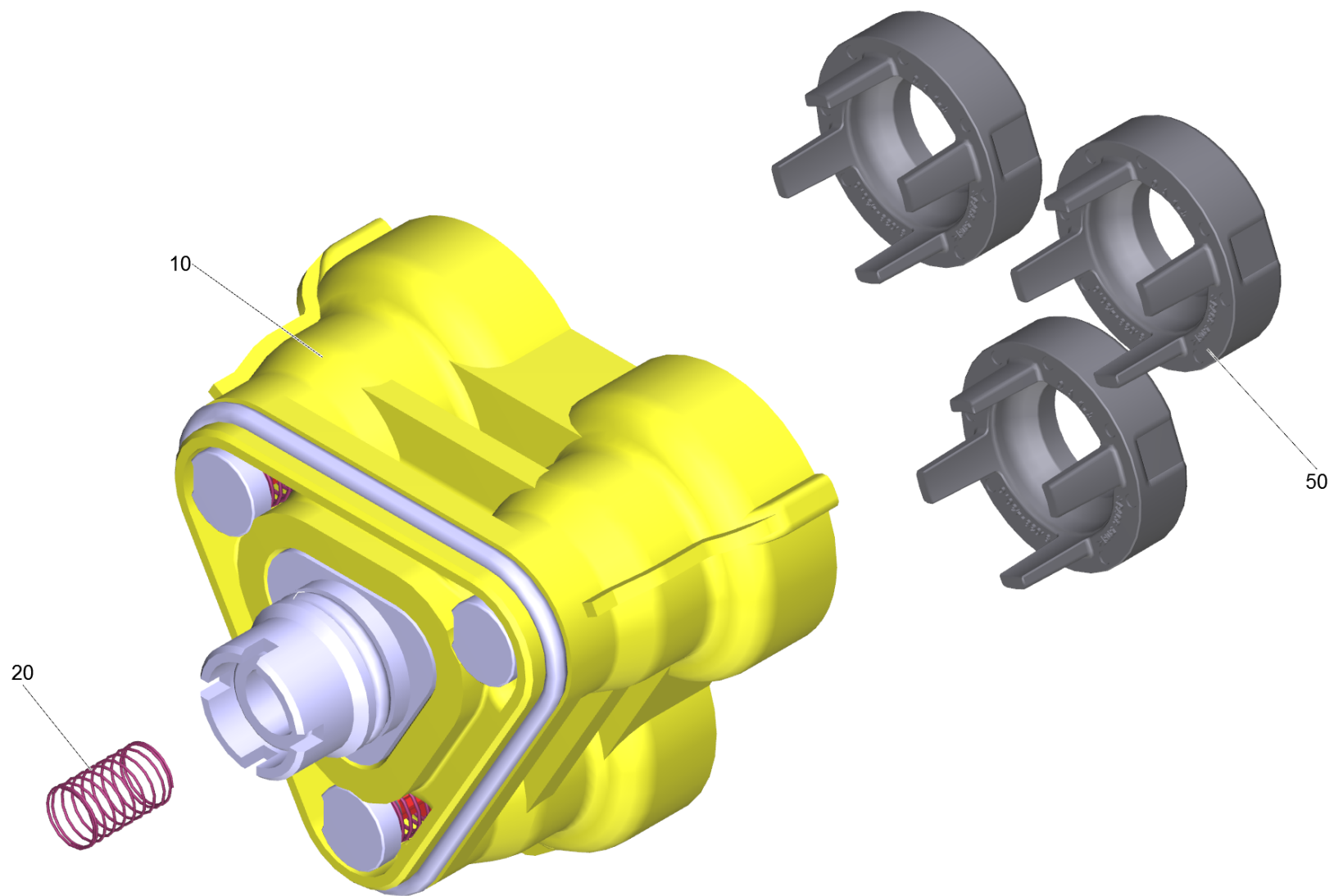
<b>POS</b>	<b>Article no.</b>	<b>Description</b>	<b>Quantity</b>	<b>Unit</b>
10	9.002-552.0	Head end WCM c/guarnizioni Tuico	1	PC
20	9.047-026.0	Spring	3	PC
50	9.038-428.0	Supportring 6,7 mm	3	PC



10 Head end WCM c/guarnizioni Tuico (9.002-552.0)

---

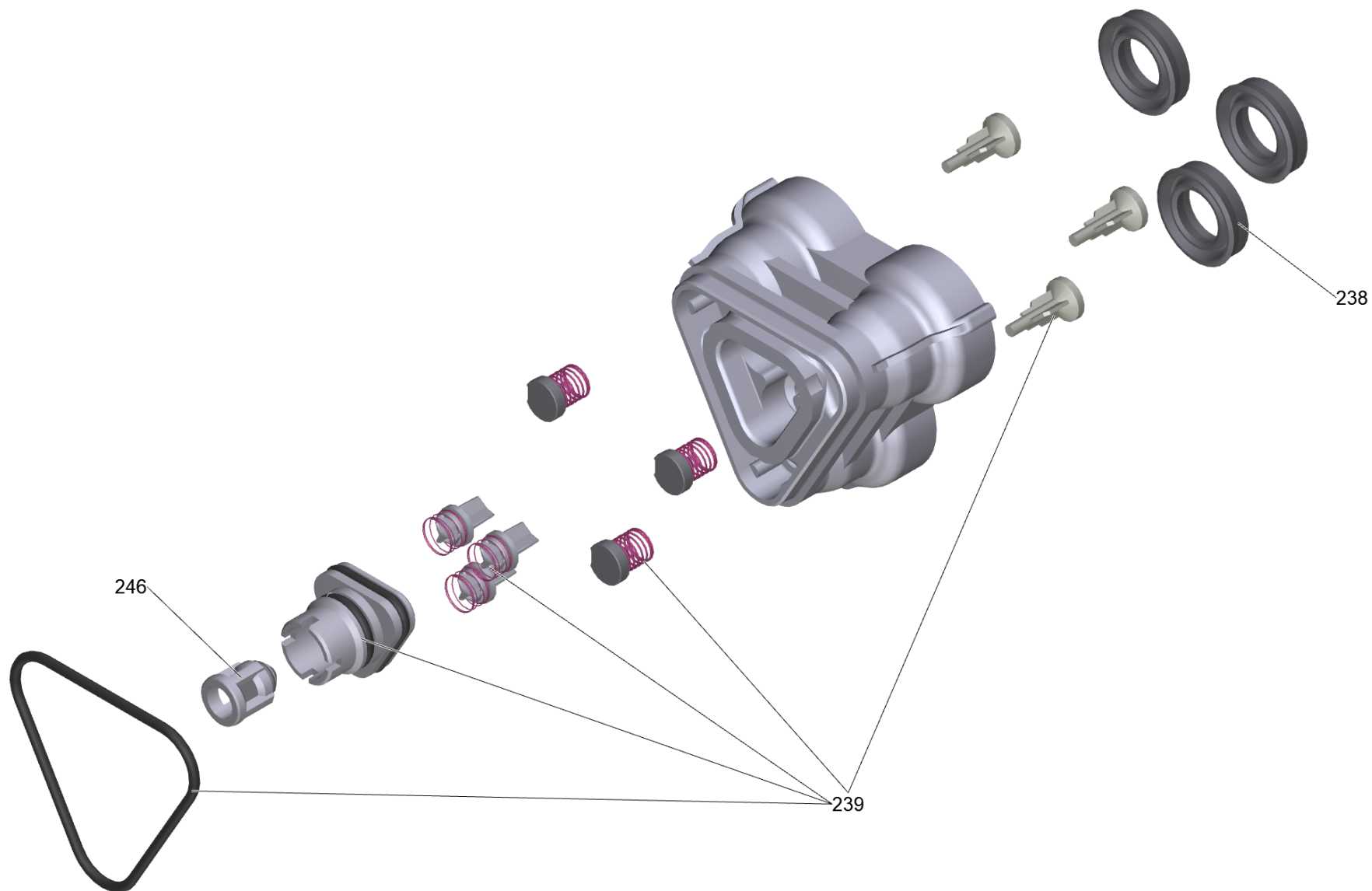
<b>POS</b>	<b>Article no.</b>	<b>Description</b>	<b>Quantity</b>	<b>Unit</b>
238	4.100-832.0	Spare parts set seals	3	PC
239	4.100-830.0	Spare parts set valves	1	PC
246	9.001-107.0	Cage complete	1	PC



## 11 Spare parts set cylinder head WCP (9.001-693.0)

---

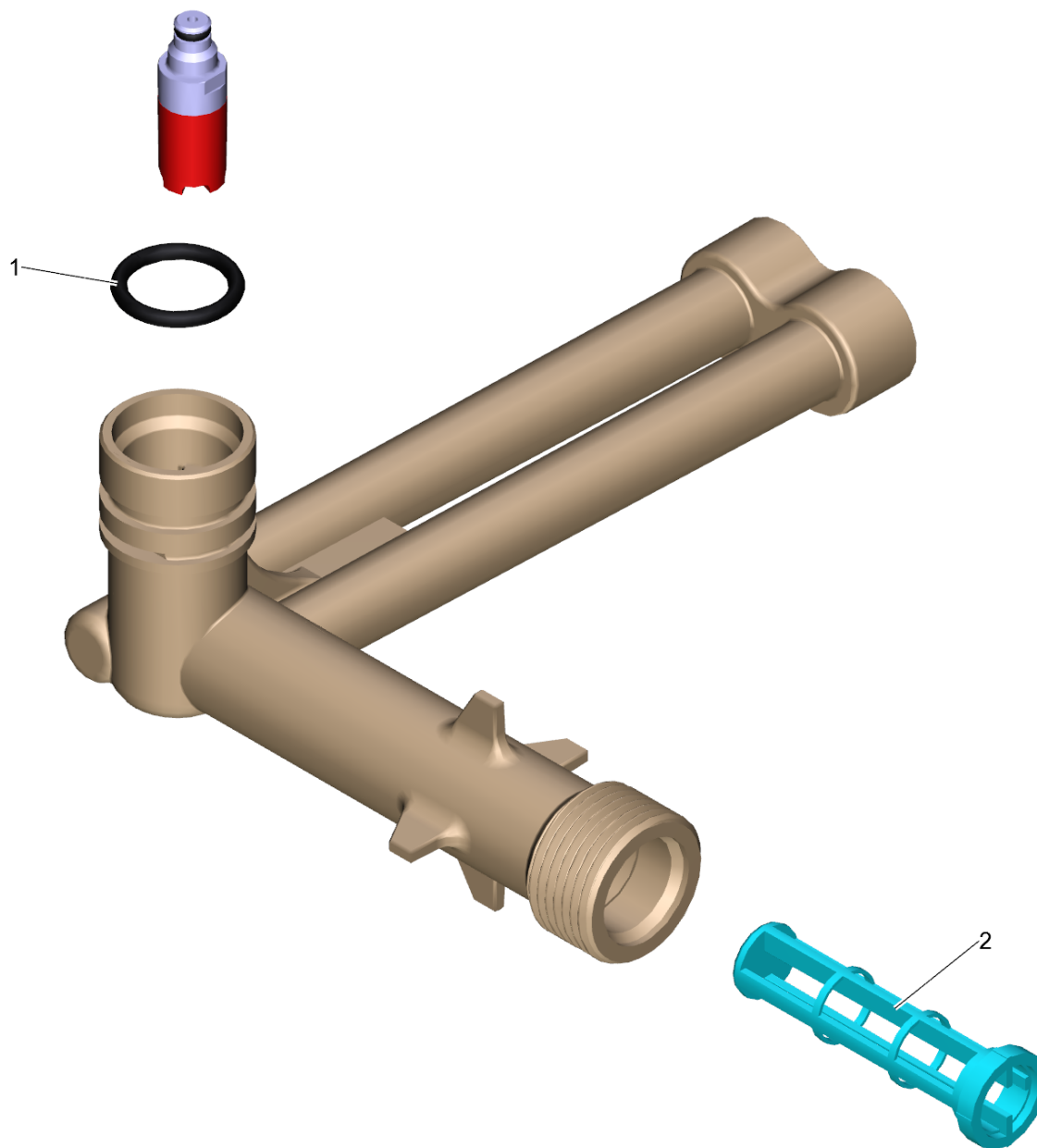
<b>POS</b>	<b>Article no.</b>	<b>Description</b>	<b>Quantity</b>	<b>Unit</b>
10	9.002-552.0	Head end WCM c/guarnizioni Tuico	1	PC
20	9.047-026.0	Spring	3	PC
50	9.038-428.0	Supportring 6,7 mm	3	PC



10 Head end WCM c/guarnizioni Tuico (9.002-552.0)

---

<b>POS</b>	<b>Article no.</b>	<b>Description</b>	<b>Quantity</b>	<b>Unit</b>
238	4.100-832.0	Spare parts set seals	3	PC
239	4.100-830.0	Spare parts set valves	1	PC
246	9.001-107.0	Cage complete	1	PC

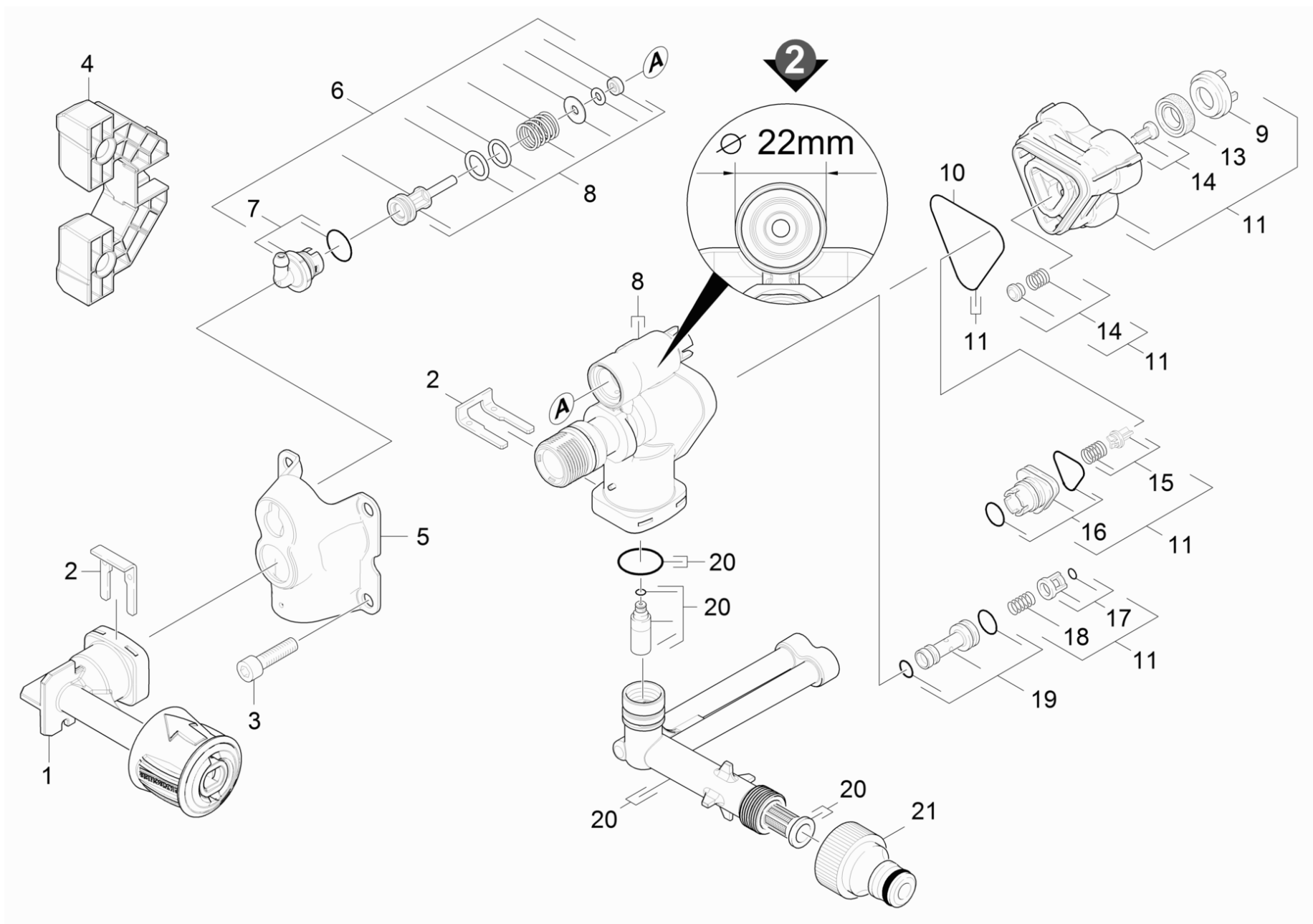




20 inlet fitting Ratio1 spare parts (9.001-980.0)

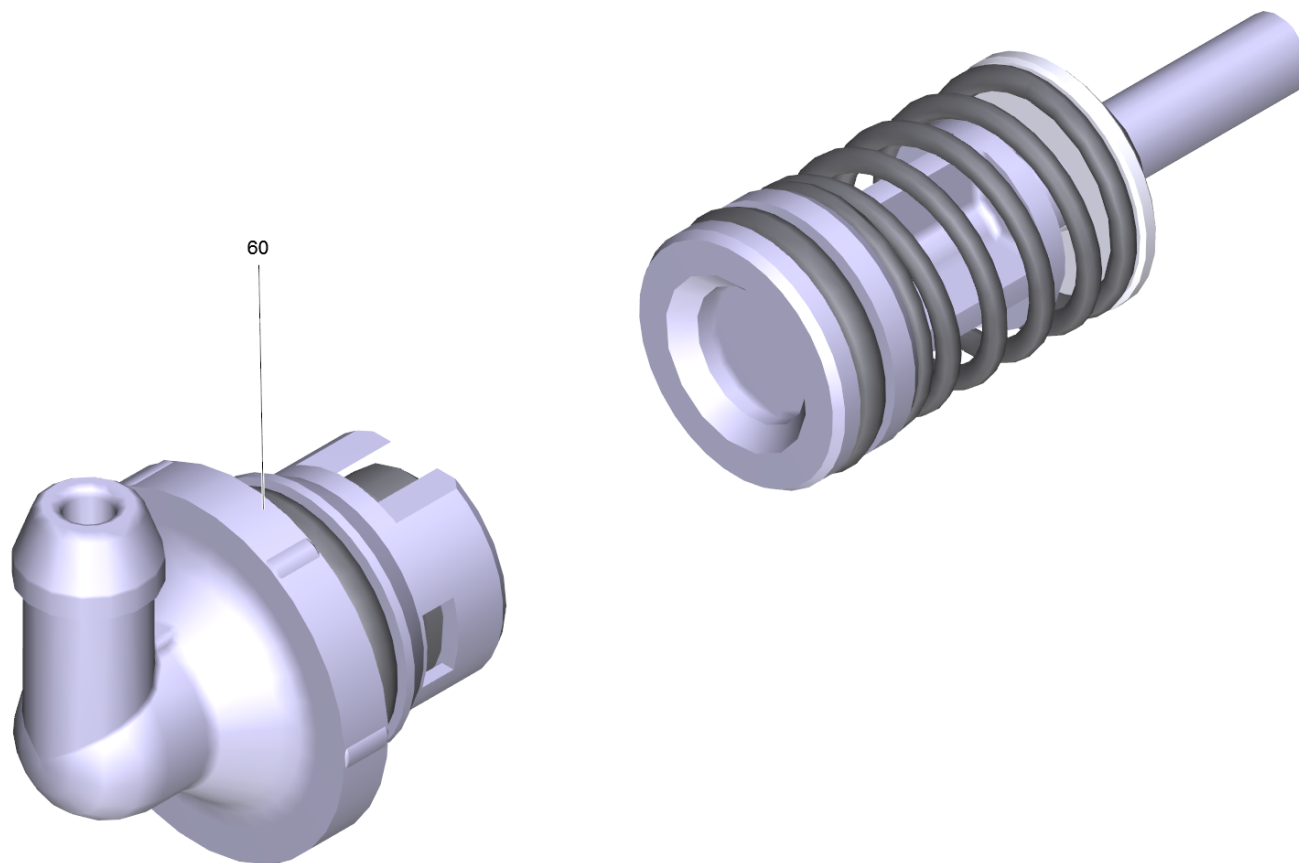
---

<b>POS</b>	<b>Article no.</b>	<b>Description</b>	<b>Quantity</b>	<b>Unit</b>
1	9.080-001.0	O-Ring 16x2,7 EPDM 50 Shore	1	PC
2	5.731-598.0	Fine filter long	1	PC



## 23 Housing

POS	Article no.	Description	Quantity	Unit	Foot note text
1	9.001-749.0	High-pressure outlet complete	1	PC	
2	9.039-148.0	Metal fork	2	PC	
3	9.086-200.0	Screw M 8x55 Class 8.8	4	PC	
4	9.037-673.0	Bracket pump (bridge)	1	PC	
5	9.039-308.0	Cover K130	1	PC	
6	9.002-028.0	pressure piston HR (spare)	1	PC	
7	9.002-027.0	Rad. 90° control housing HR (ric)	1	PC	
8	9.002-029.0	manifold HR + pressure piston	1	PC	
9	9.038-428.0	Supportring 6,7 mm	3	PC	
		<b>Item text1:</b> all other machines			
9	9.038-428.0	Supportring 6,7 mm	3	PC	
		<b>Item text1:</b> 1.180-151.0/-154.0/100.0/-130.0/-150.0/ <b>Item text2:</b> -153.0/-156.0			
10	9.081-422.0	Form seal	1	PC	
11	9.001-693.0	Spare parts set cylinder head WCP	1	PC	
		<b>Item text1:</b> all other machines			
11	9.001-693.0	Spare parts set cylinder head WCP	1	PC	
		<b>Item text1:</b> 1.180-151.0/-154.0/100.0/-130.0/-150.0/ <b>Item text2:</b> -153.0/-156.0			
12	9.080-455.0	Seal 10x2,8	2	PC	
13	6.362-875.0	Grooved ring	3	PC	
14	9.001-110.0	Moulded part complete	1	PC	SET CONSISTS OF 3X MACHINED PART COMPL.
15	9.001-149.0	Spare parts set valve	1	PC	SET CONSISTS OF 3X VALVE
16	9.001-106.0	Joining piece	1	PC	
17	9.001-107.0	Cage complete	1	PC	
18	9.047-026.0	Spring	1	PC	
19	9.002-017.0	Venturi nozzle D.1,45	1	PC	
20	9.001-980.0	inlet fitting Ratio1 spare parts	1	PC	
21	6.465-031.0	Connection 3/4	1	PC	

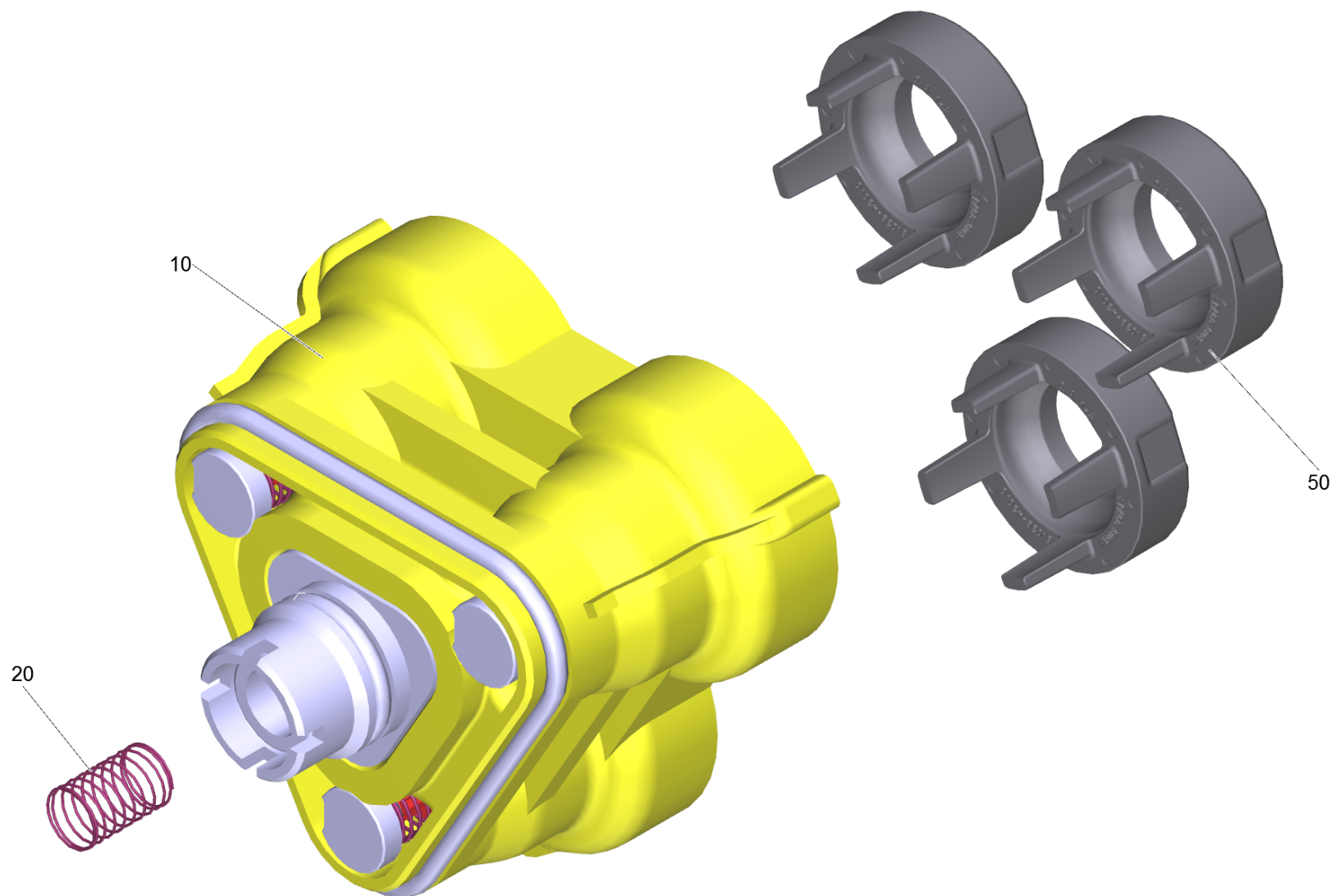


6 pressure piston HR (spare) (9.002-028.0)

---

<b>POS</b>	<b>Article no.</b>	<b>Description</b>	<b>Quantity</b>	<b>Unit</b>
60	9.002-027.0	Rad. 90° control housing HR (ric)	1	PC

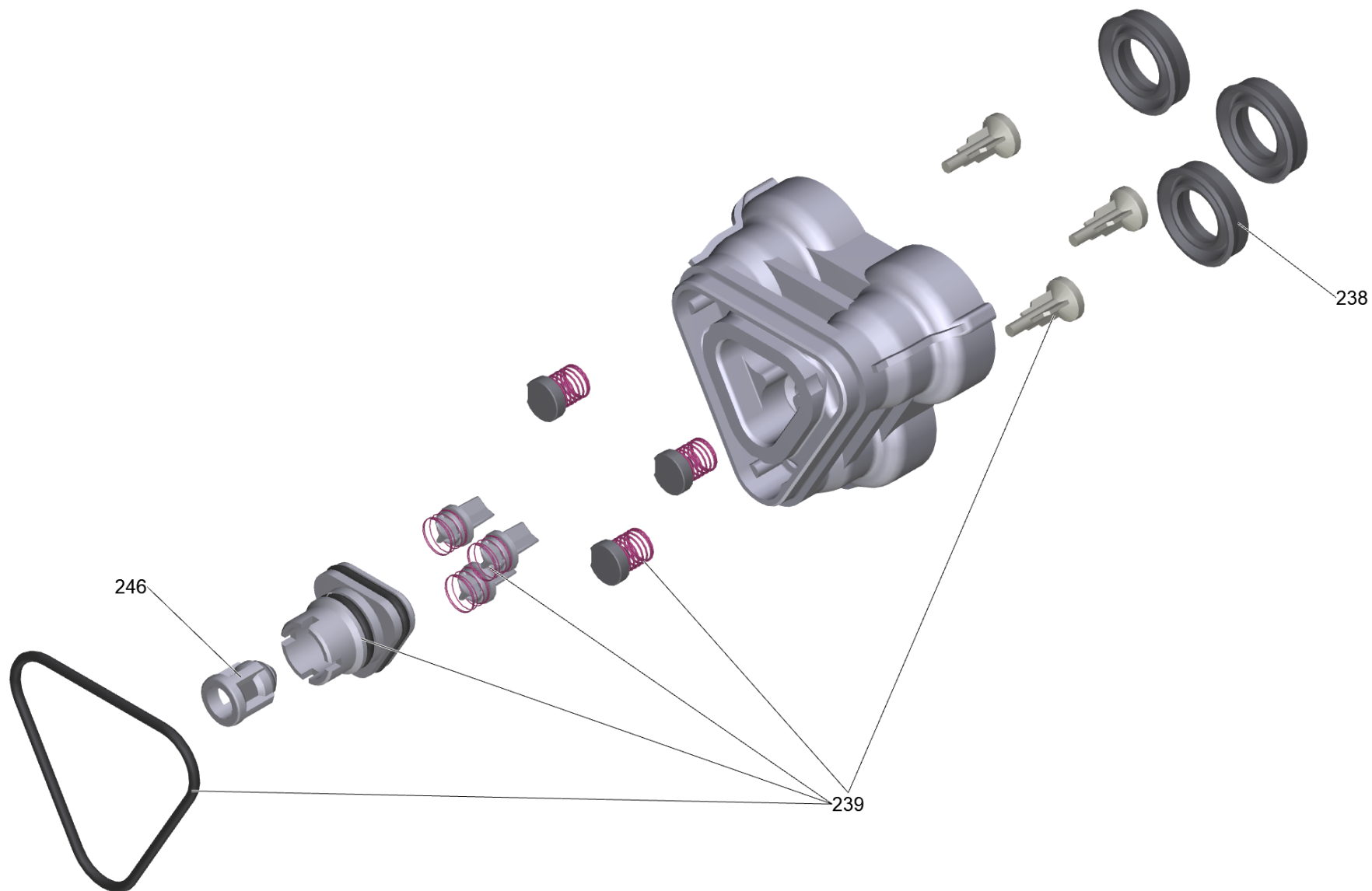
---



## 11 Spare parts set cylinder head WCP (9.001-693.0)

---

<b>POS</b>	<b>Article no.</b>	<b>Description</b>	<b>Quantity</b>	<b>Unit</b>
10	9.002-552.0	Head end WCM c/guarnizioni Tuico	1	PC
20	9.047-026.0	Spring	3	PC
50	9.038-428.0	Supportring 6,7 mm	3	PC

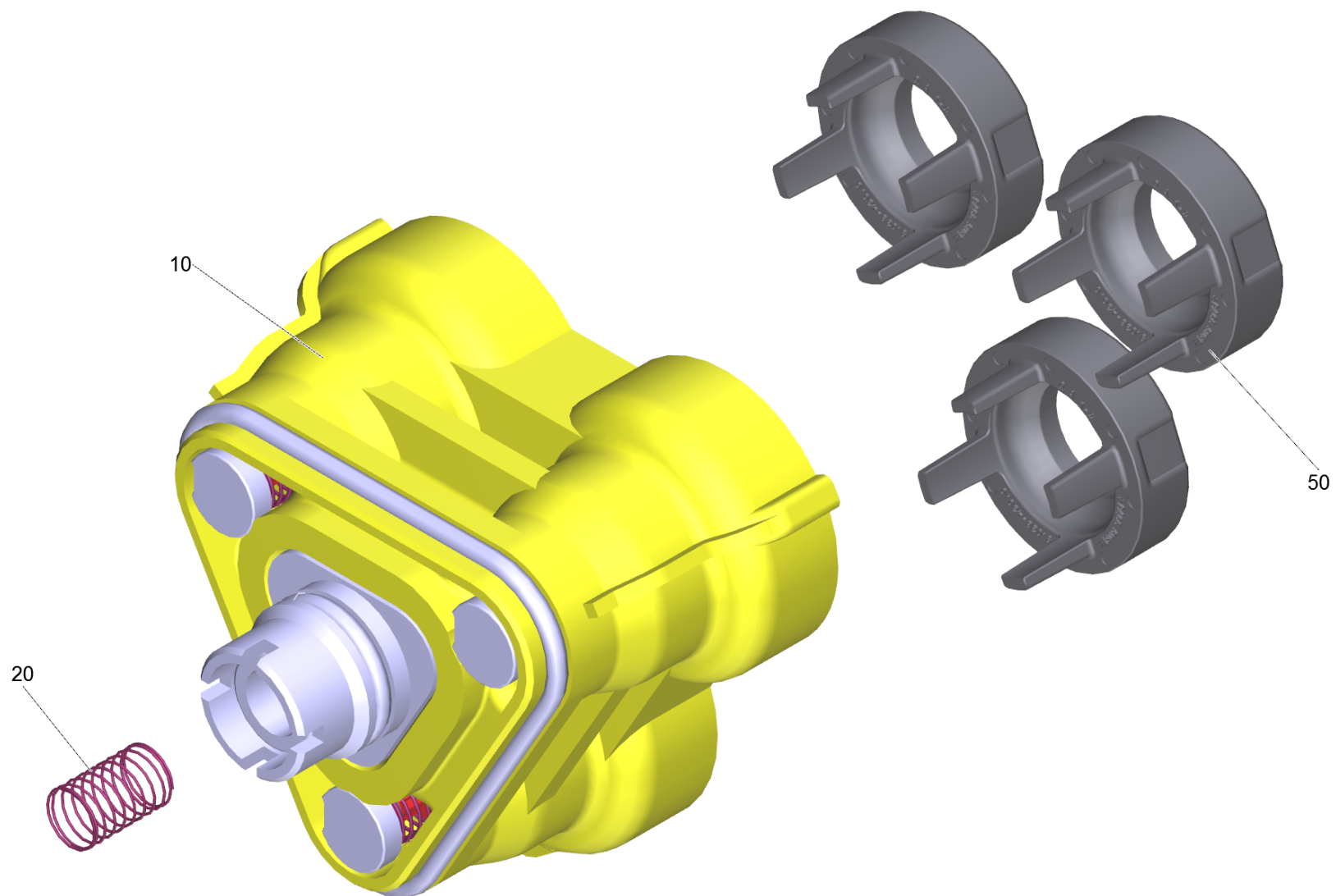




10 Head end WCM c/guarnizioni Tuico (9.002-552.0)

---

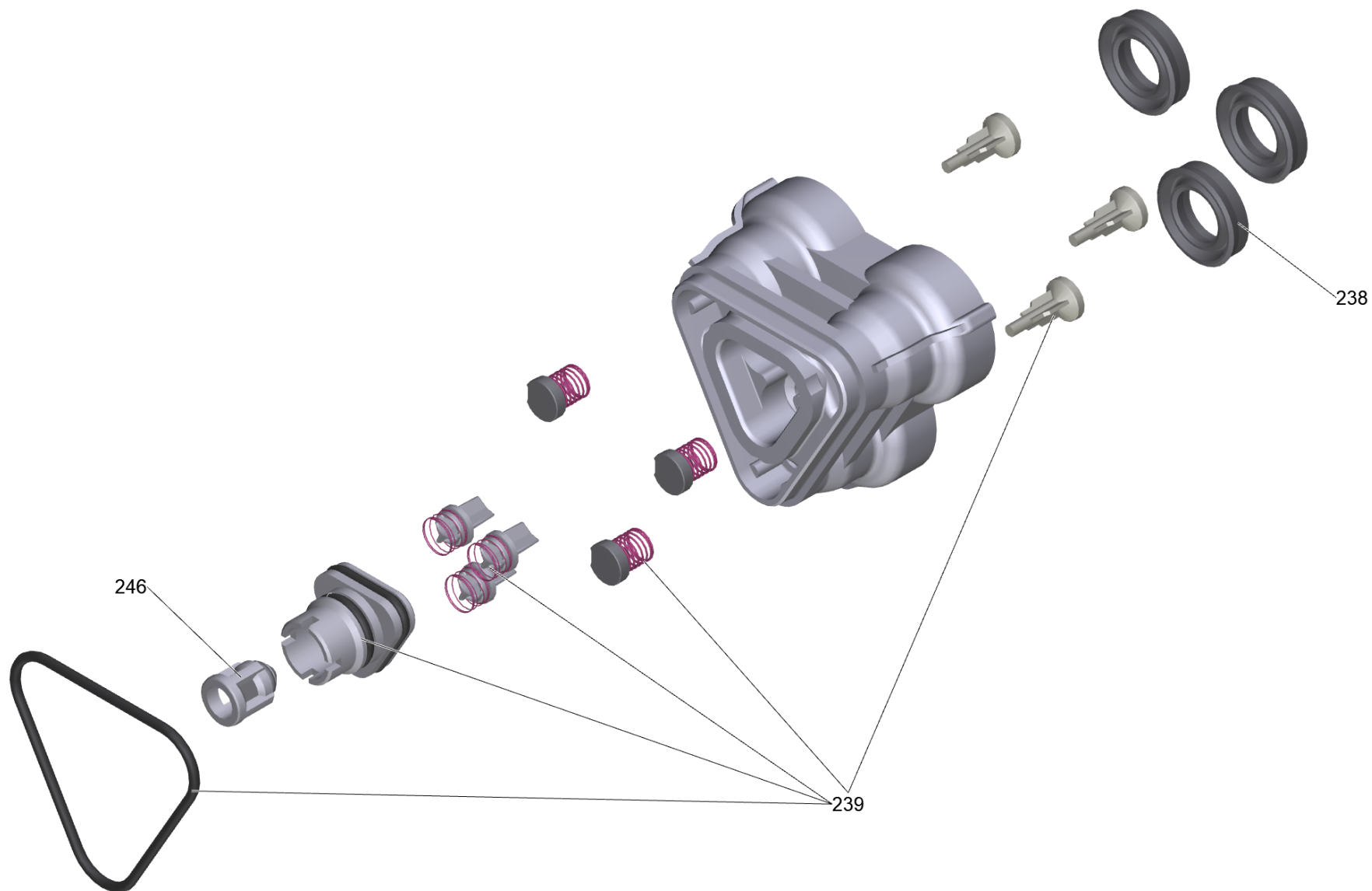
<b>POS</b>	<b>Article no.</b>	<b>Description</b>	<b>Quantity</b>	<b>Unit</b>
238	4.100-832.0	Spare parts set seals	3	PC
239	4.100-830.0	Spare parts set valves	1	PC
246	9.001-107.0	Cage complete	1	PC



## 11 Spare parts set cylinder head WCP (9.001-693.0)

---

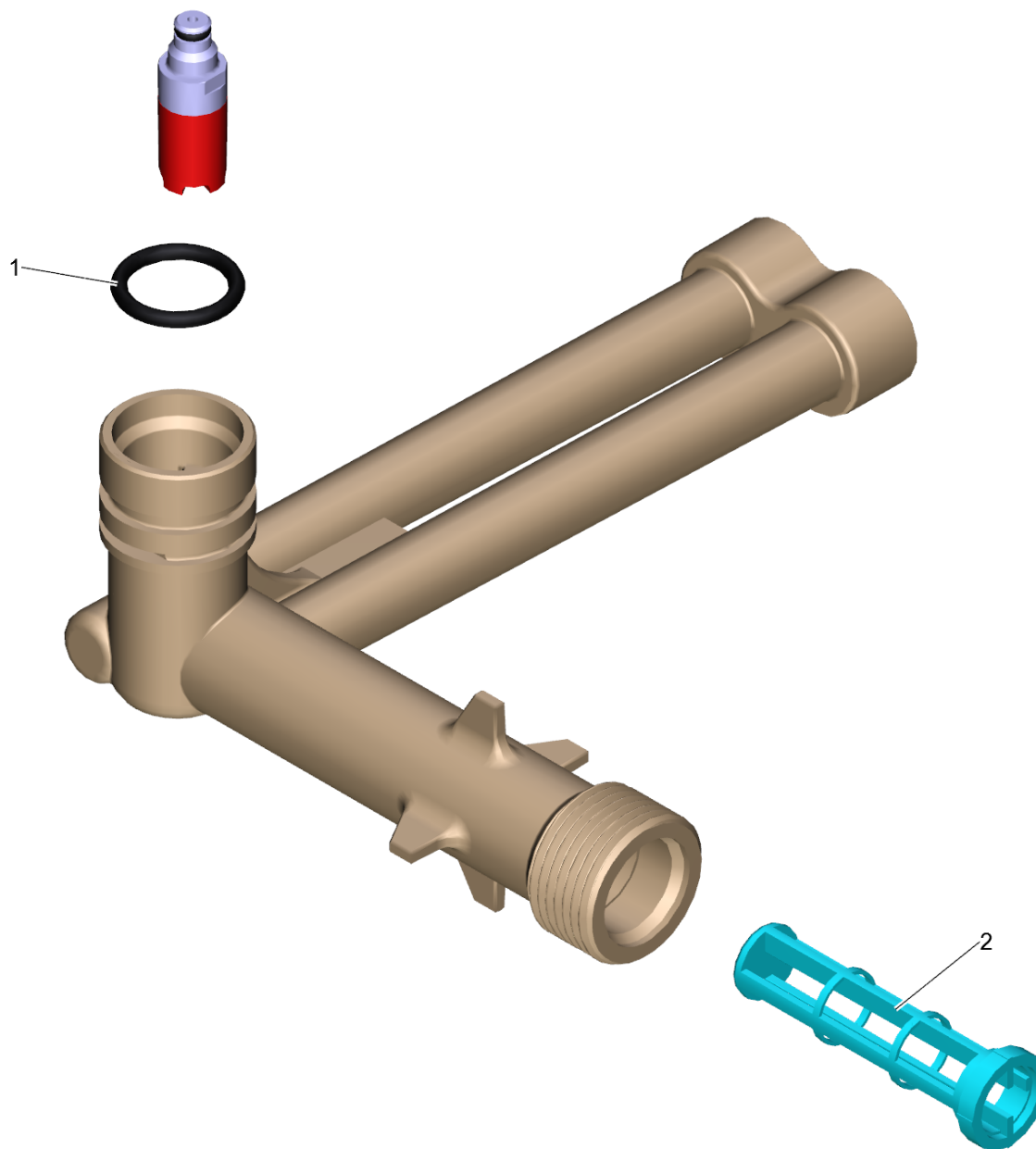
<b>POS</b>	<b>Article no.</b>	<b>Description</b>	<b>Quantity</b>	<b>Unit</b>
10	9.002-552.0	Head end WCM c/guarnizioni Tuico	1	PC
20	9.047-026.0	Spring	3	PC
50	9.038-428.0	Supportring 6,7 mm	3	PC



10 Head end WCM c/guarnizioni Tuico (9.002-552.0)

---

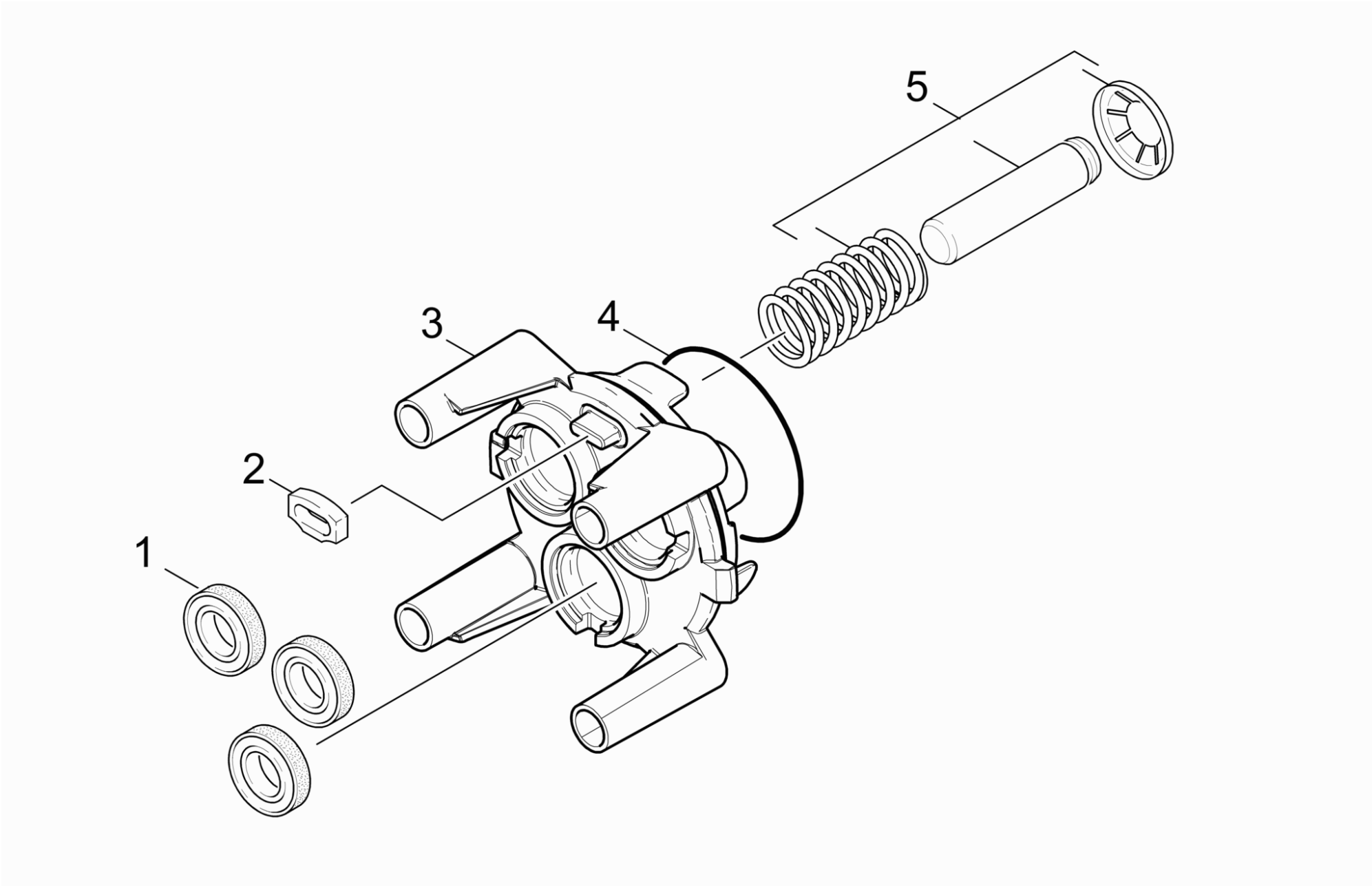
<b>POS</b>	<b>Article no.</b>	<b>Description</b>	<b>Quantity</b>	<b>Unit</b>
238	4.100-832.0	Spare parts set seals	3	PC
239	4.100-830.0	Spare parts set valves	1	PC
246	9.001-107.0	Cage complete	1	PC



20 inlet fitting Ratio1 spare parts (9.001-980.0)

---

<b>POS</b>	<b>Article no.</b>	<b>Description</b>	<b>Quantity</b>	<b>Unit</b>
1	9.080-001.0	O-Ring 16x2,7 EPDM 50 Shore	1	PC
2	5.731-598.0	Fine filter long	1	PC





## 24 Thrust guidance

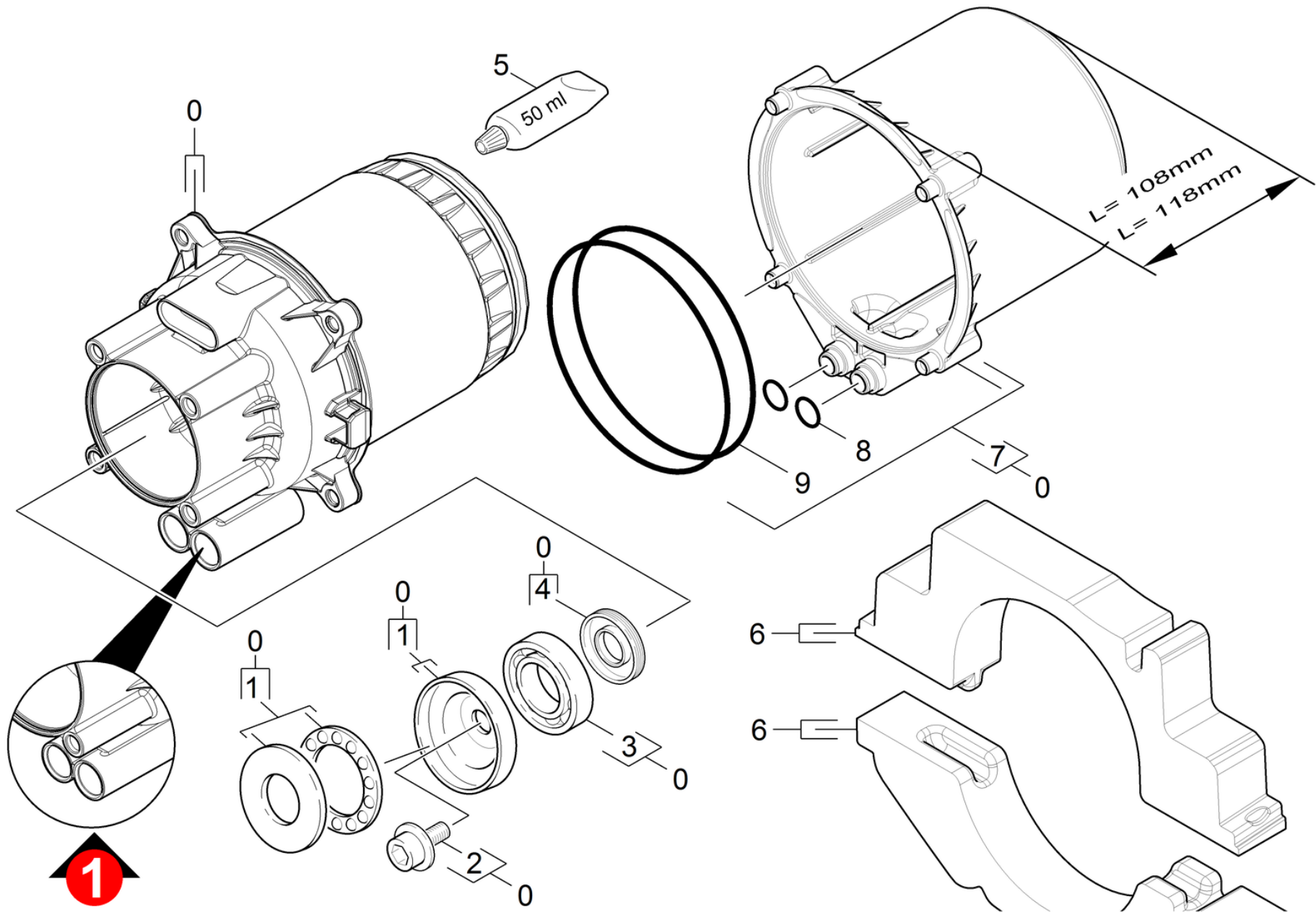
---

<b>POS</b>	<b>Article no.</b>	<b>Description</b>	<b>Quantity</b>	<b>Unit</b>
1	6.964-026.0	Grooved ring	3	PC
2	9.048-071.0	Spacer - Seal	1	PC
3	9.042-129.0	Pistonguide K3/K4 Compact machined	1	PC
4	9.080-425.0	O-Ring seal 60 x 2 NBR 70	1	PC
5	9.001-927.0	Piston complete	3	PC

## 30 Motor

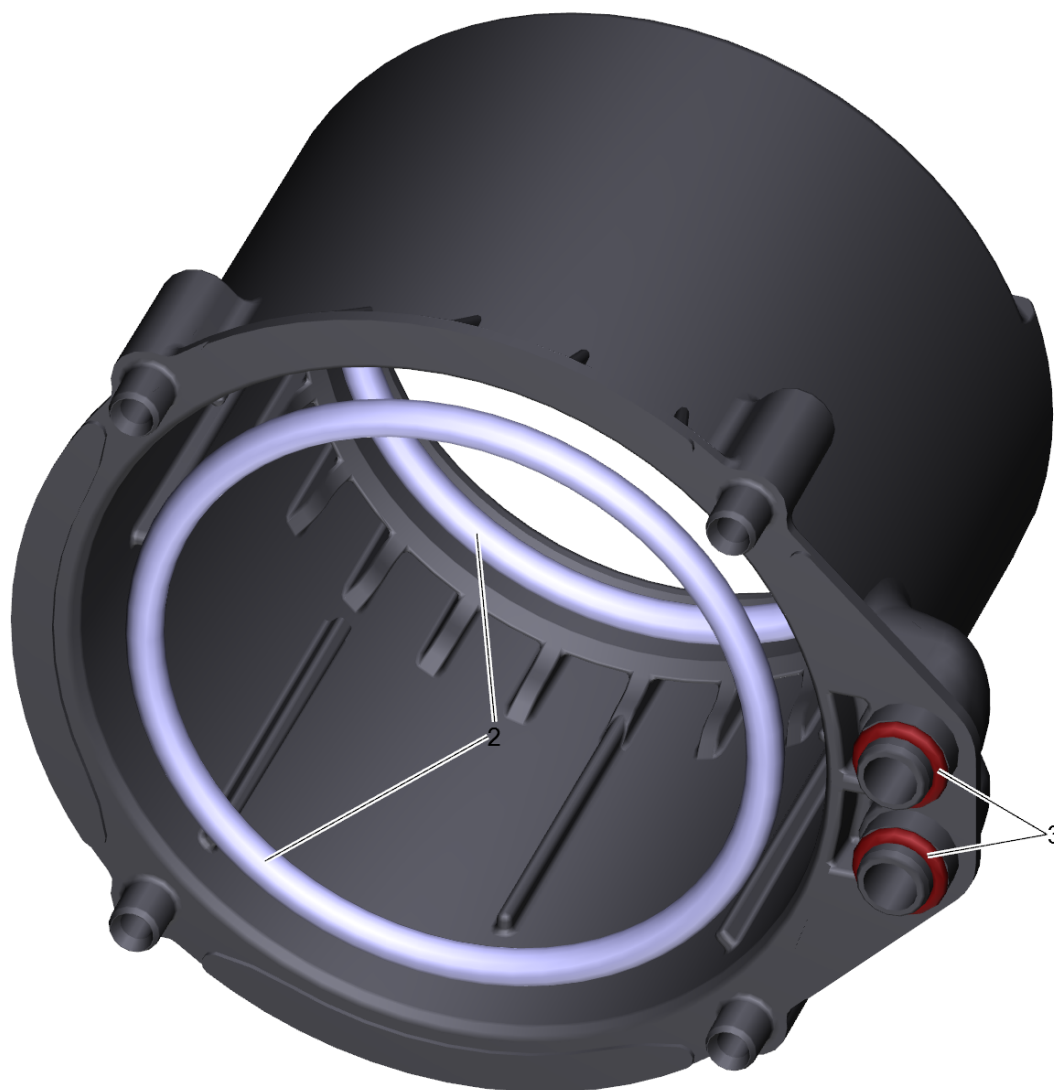
---

<b>POS</b>	<b>Description</b>	<b>Quantity</b>	<b>Unit</b>	<b>Foot note text</b>
31	Motor	1	PC	VERSION 1
32	Motor	1	PC	VERSION 2



## 31 Motor

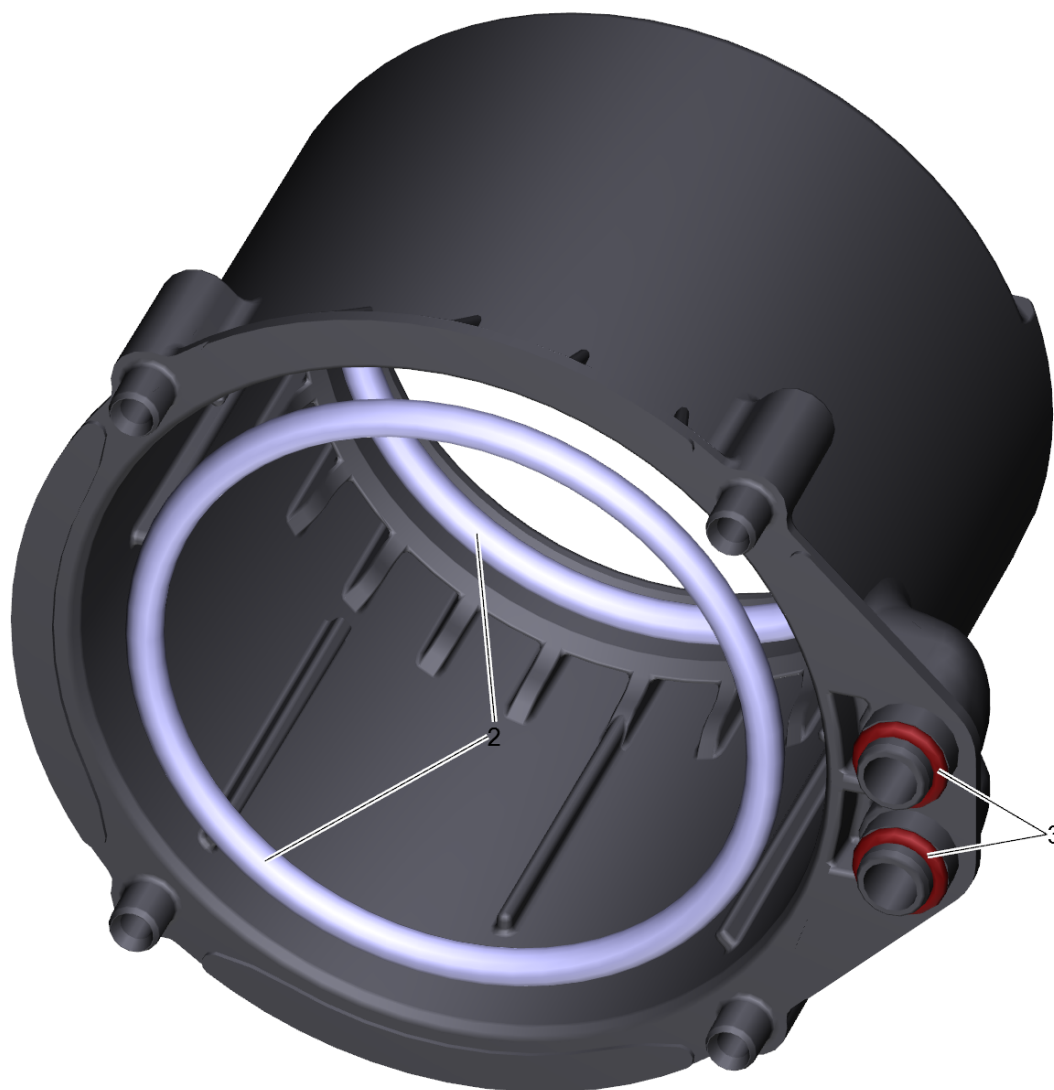
POS	Article no.	Description	Quantity	Unit	Remark
0	9.001-947.0	motor h80 CAME	1	PC	
		<b>Item text1:</b> 1.180-130.0 /-132.0 /-134.0 /-135.0			
		<b>Item text2:</b> /-137.0 /-138.0 /-139.0			
0	9.001-983.0	motor 9013-1470 + wobble plate spare	1	PC	
		<b>Item text1:</b> 1.180-131.0/-133.0/-136.0			
1	9.001-670.0	Wobble plate	1	PC	
		<b>Item text1:</b> 1.180-131.0/-133.0/-136.0			
1	9.001-705.0	Wobble plate 10°24'	1	PC	
		<b>Item text1:</b> 1.180-130.0 /-132.0 /-134.0 /-135.0			
		<b>Item text2:</b> /-137.0 /-138.0 /-139.0			
2	9.086-205.0	Screw	1	PC	
3	7.401-010.0	Ball bearing 6303 -St DIN 625	1	PC	
4	9.078-007.0	Rotary shaft seal 17x35x5	1	PC	
5	6.964-092.0	Viscous oil 50ml	1	PC	
6	9.001-799.0	Web PS	1	PC	
7	9.001-918.0	Covering cap motor complete	1	PC	L= 118mm
		<b>Item text1:</b> 1.180-130.0 /-131.0 /-133.0 /-136.0			
7	9.001-935.0	Set motor cover H70 Wcm	1	PC	L= 108mm
		<b>Item text1:</b> 1.180-132.0 /-134.0 /-135.0 /-137.0 /			
		<b>Item text2:</b> -138.0 /-139.0			
8	9.080-455.0	Seal 10x2,8	2	PC	
9	9.080-453.0	O-Ring seal 95x6	2	PC	



7 Covering cap motor complete (9.001-918.0)

---

<b>POS</b>	<b>Article no.</b>	<b>Description</b>	<b>Quantity</b>	<b>Unit</b>
2	9.080-453.0	O-Ring seal 95x6	2	PC
3	9.080-455.0	Seal 10x2,8	2	PC

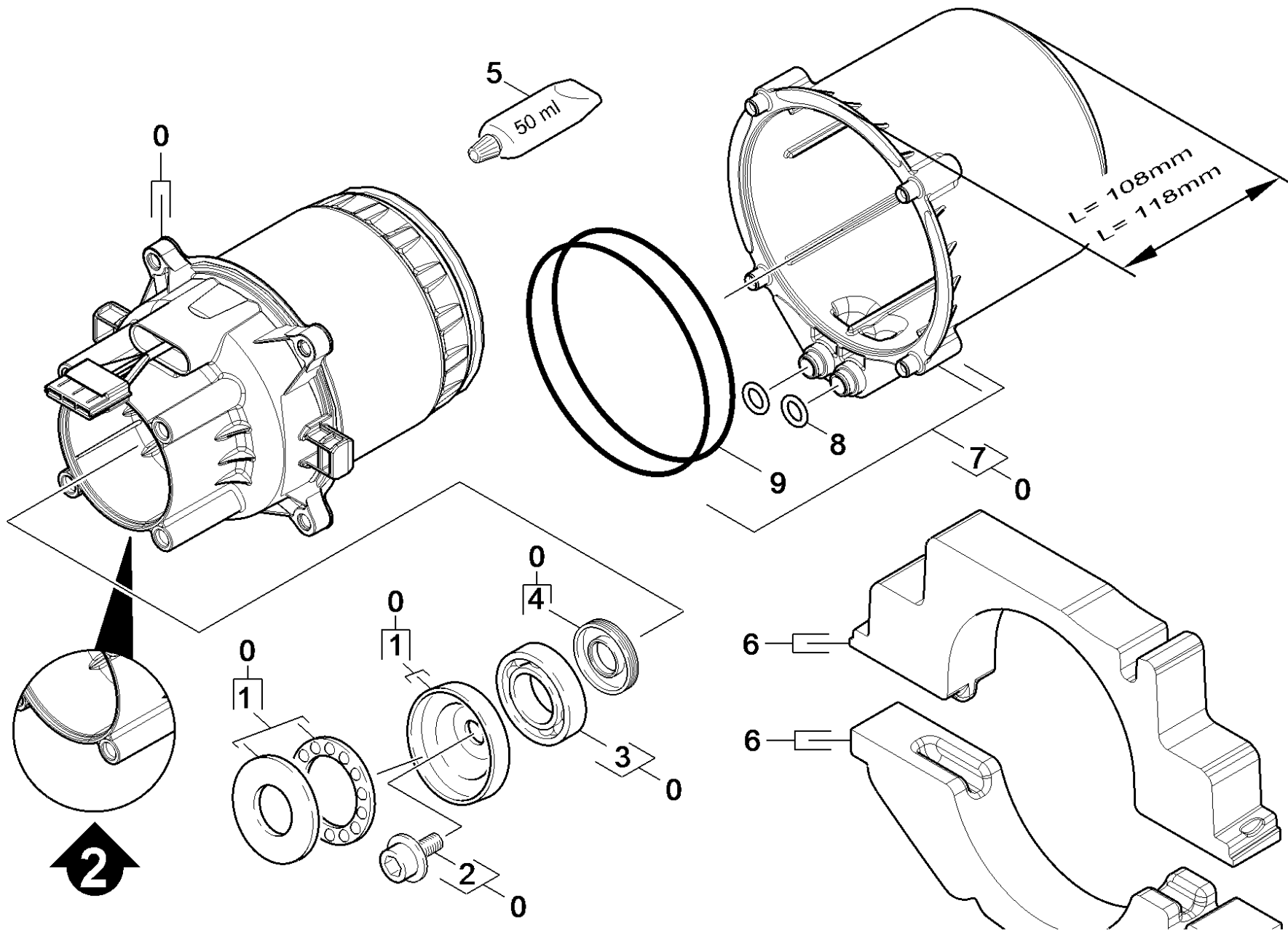


7 Set motor cover H70 Wcm (9.001-935.0)

---

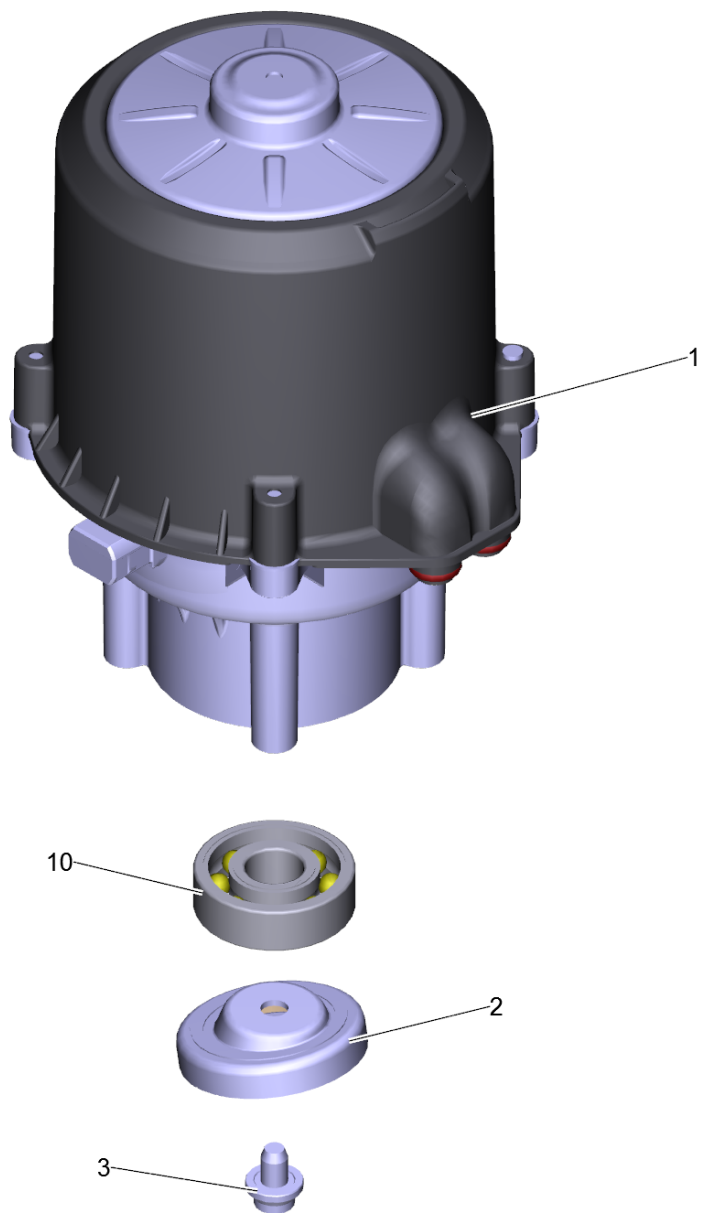
<b>POS</b>	<b>Article no.</b>	<b>Description</b>	<b>Quantity</b>	<b>Unit</b>
2	9.080-453.0	O-Ring seal 95x6	2	PC
3	9.080-455.0	Seal 10x2,8	2	PC





## 32 Motor

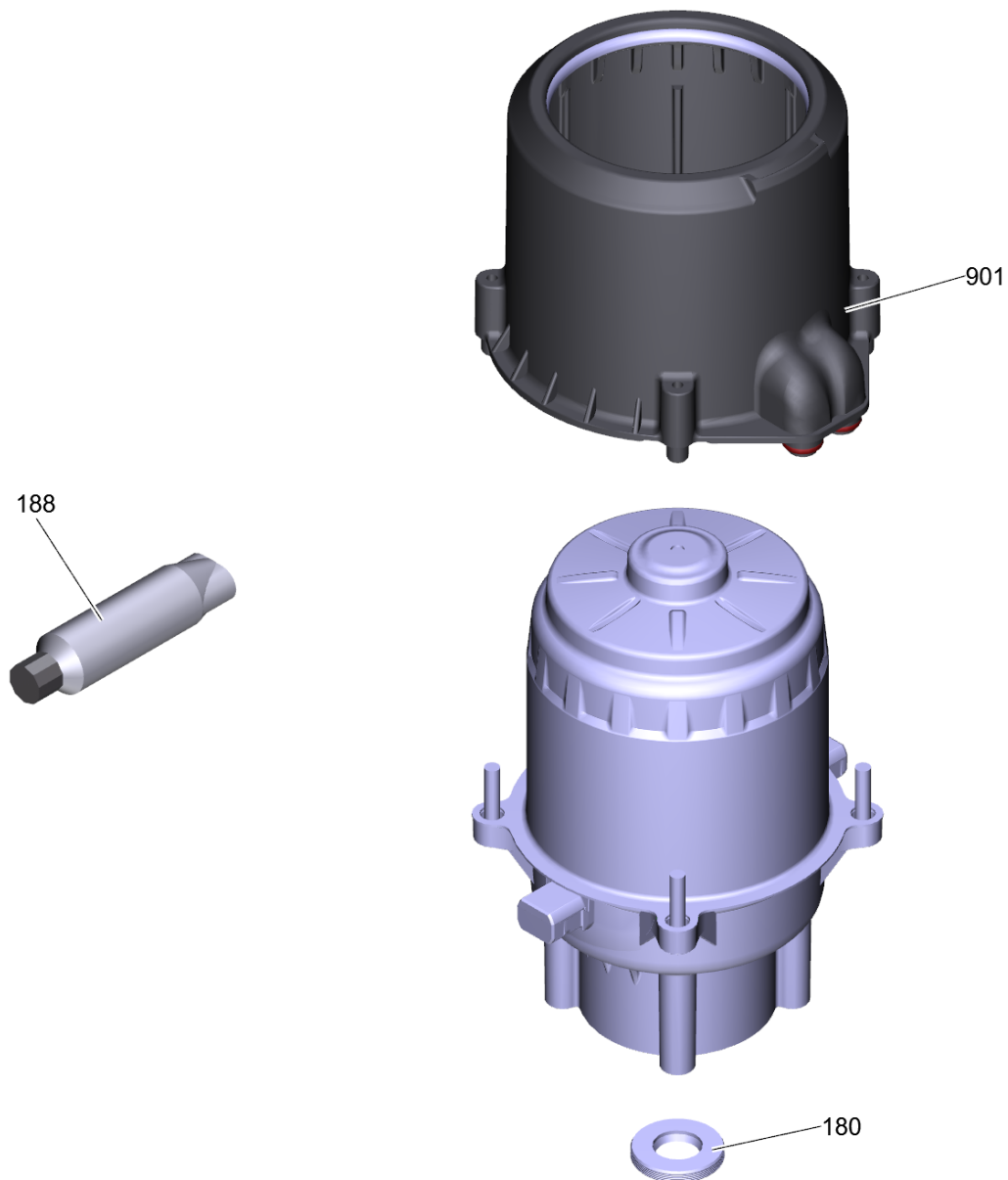
POS	Article no.	Description	Quantity	Unit	Remark
0	9.001-976.0	Motor H70 R1 EU (spare)	1	PC	
	<b>Item text1:</b> 1.180-130.0 /-131.0 /-133.0 /-136.0				
0	9.002-394.0	Spare part motor 9013-3940	1	PC	
	<b>Item text1:</b> 1.180-132.0 /-134.0 /-135.0 /-137.0				
	<b>Item text2:</b> /-138.0 /-139.0				
1	9.001-705.0	Wobble plate 10°24'	1	PC	
2	9.086-205.0	Screw	1	PC	
3	7.401-010.0	Ball bearing 6303 -St DIN 625	1	PC	
4	9.078-007.0	Rotary shaft seal 17x35x5	1	PC	
5	6.964-092.0	Viscous oil 50ml	1	PC	
6	9.001-799.0	Web PS	1	PC	
7	9.001-918.0	Covering cap motor complete	1	PC	L= 118mm
7	9.001-935.0	Set motor cover H70 Wcm	1	PC	L= 108mm
8	9.080-455.0	Seal 10x2,8	2	PC	
9	9.080-453.0	O-Ring seal 95x6	2	PC	



Spare part motor 9013-3940 (9.002-394.0)

---

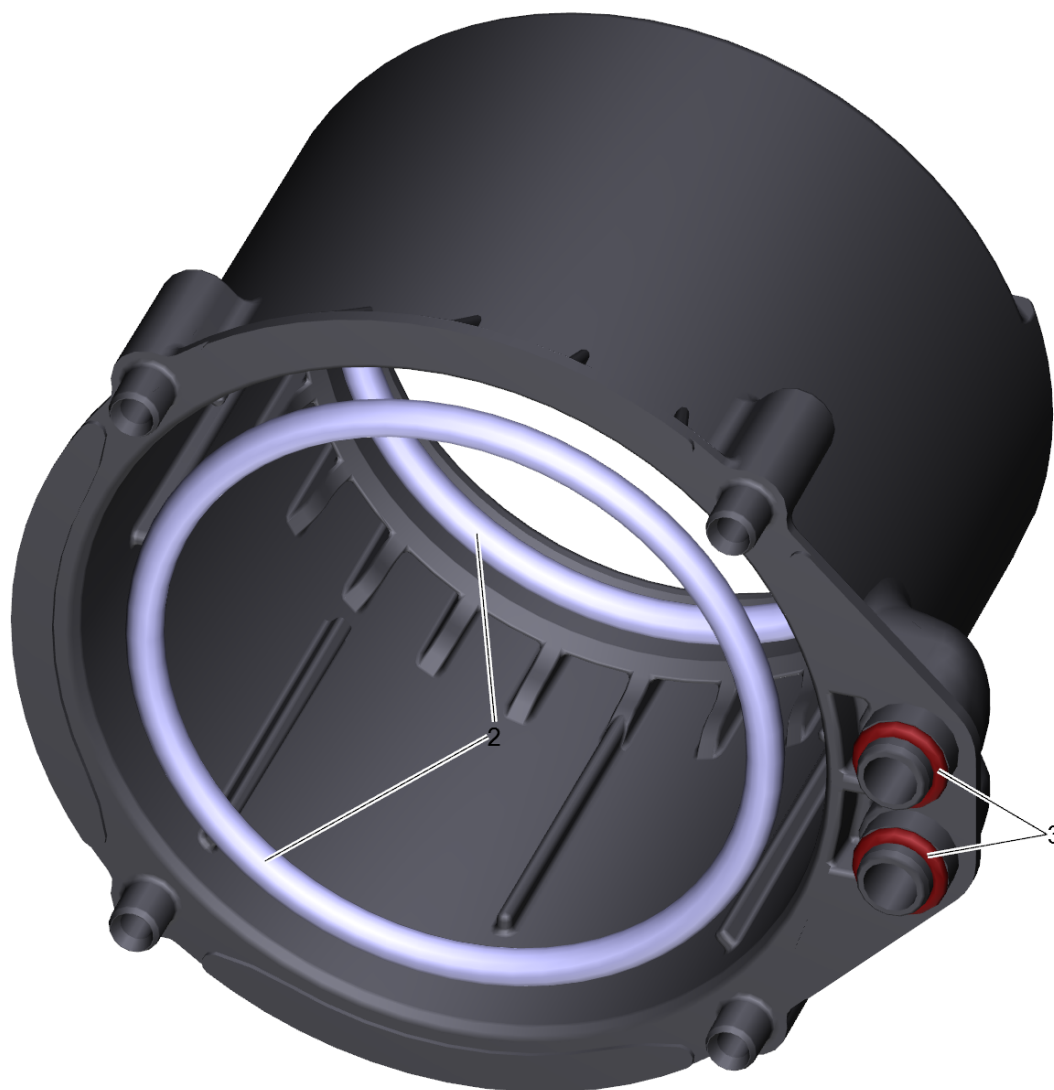
<b>POS</b>	<b>Article no.</b>	<b>Description</b>	<b>Quantity</b>	<b>Unit</b>
1		Motor H80 GB Mod. (90857220)	1	PC
2	9.001-705.0	Wobble plate 10°24'	1	PC
3	9.086-233.0	Screw wobble plate	1	PC
10	7.401-010.0	Ball bearing 6303 -St DIN 625	1	PC



1 Motor H80 GB Mod. (90857220)

---

<b>POS</b>	<b>Article no.</b>	<b>Description</b>	<b>Quantity</b>	<b>Unit</b>
180	9.078-007.0	Rotary shaft seal 17x35x5	1	PC
188	6.964-092.0	Viscous oil 50ml	1	PC
901	9.001-918.0	Covering cap motor complete	1	PC

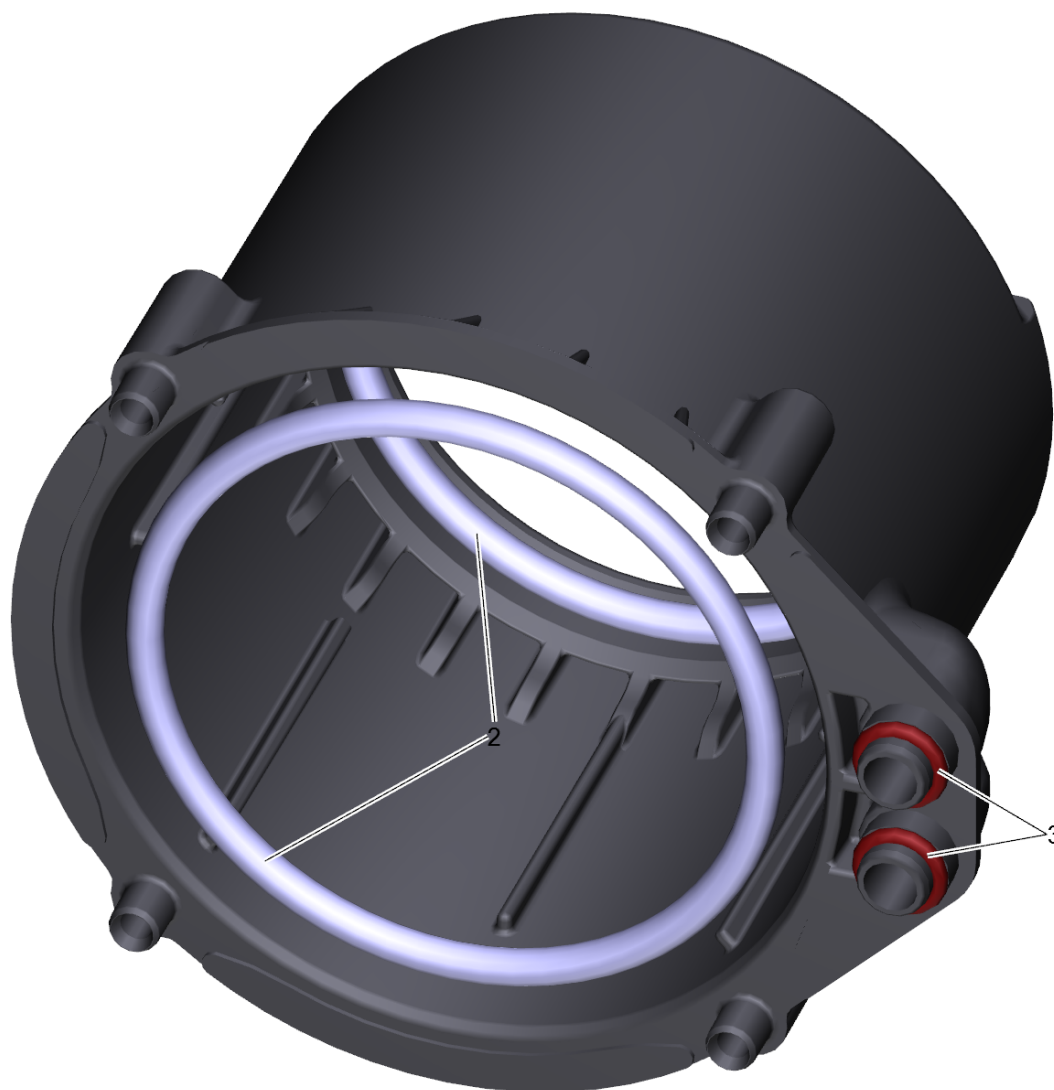


901 Covering cap motor complete (9.001-918.0)

---

<b>POS</b>	<b>Article no.</b>	<b>Description</b>	<b>Quantity</b>	<b>Unit</b>
2	9.080-453.0	O-Ring seal 95x6	2	PC
3	9.080-455.0	Seal 10x2,8	2	PC

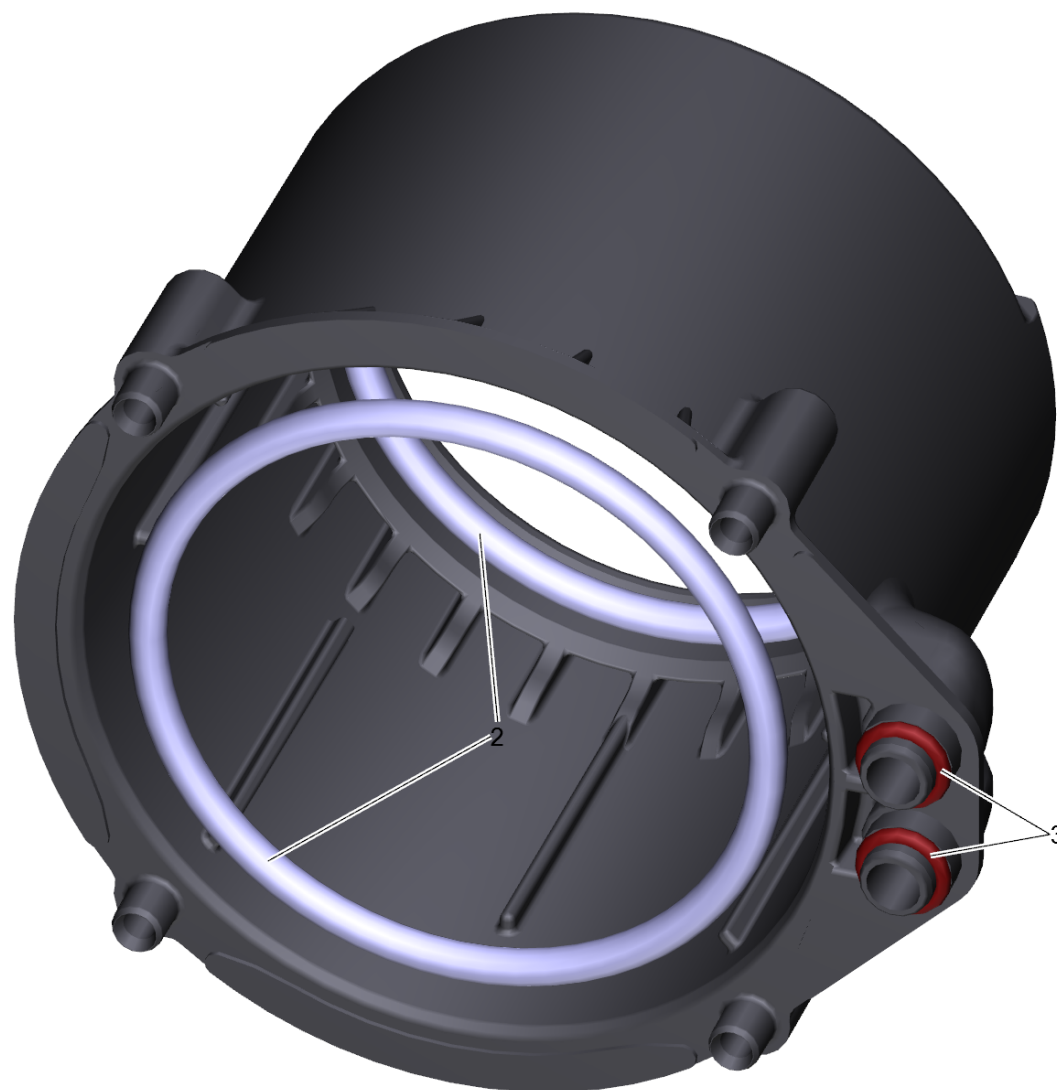




7 Covering cap motor complete (9.001-918.0)

---

<b>POS</b>	<b>Article no.</b>	<b>Description</b>	<b>Quantity</b>	<b>Unit</b>
2	9.080-453.0	O-Ring seal 95x6	2	PC
3	9.080-455.0	Seal 10x2,8	2	PC



7 Set motor cover H70 Wcm (9.001-935.0)

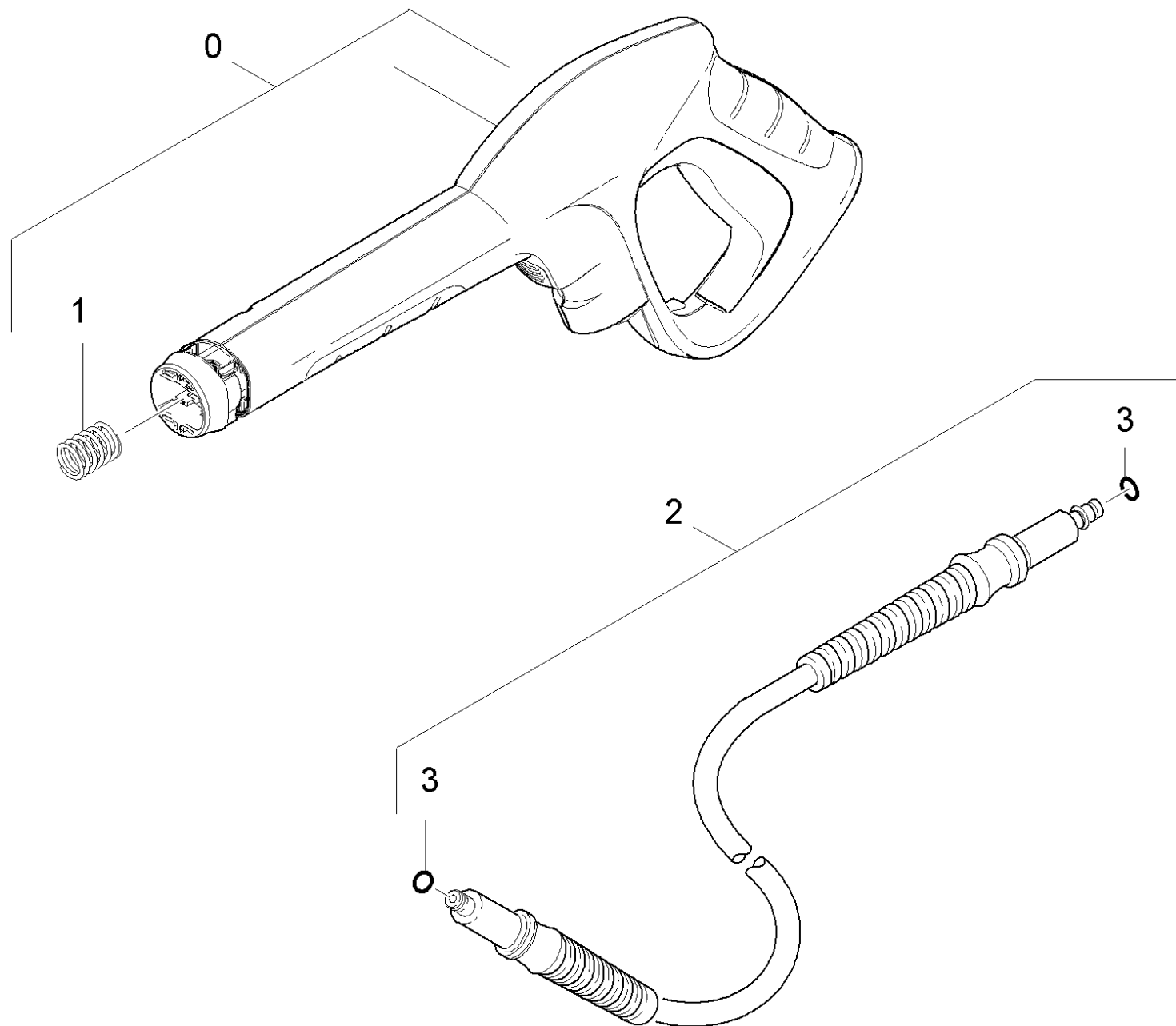
---

<b>POS</b>	<b>Article no.</b>	<b>Description</b>	<b>Quantity</b>	<b>Unit</b>
2	9.080-453.0	O-Ring seal 95x6	2	PC
3	9.080-455.0	Seal 10x2,8	2	PC

## 40 Accessories

---

<b>POS</b>	<b>Description</b>	<b>Quantity</b>	<b>Unit</b>	<b>Remark</b>
41	Hand trigger gun	1	PC	
42	Jet pipe	1	PC	
43	Surface cleaner	1	PC	T 200
44	Surface cleaner	1	PC	T 250
45	Power Brush	1	PC	



## 41 Hand trigger gun

---

<b>POS</b>	<b>Article no.</b>	<b>Description</b>	<b>Quantity</b>	<b>Unit</b>
0	2.642-889.0	G 180 Q Trigger gun Quick Connect	1	PC
1	5.332-464.0	Pressure spring	1	PC
2	2.641-721.0	H 9 Q high pressure hose Quick Connect	1	PC
3	6.363-410.0	O-Ring seal 5,7x1,78 NBR 90Shore	2	PC





G 180 Q Trigger gun Quick Connect (2.642-889.0)

---

<b>POS</b>	<b>Article no.</b>	<b>Description</b>	<b>Quantity</b>	<b>Unit</b>
1	5.332-464.0	Pressure spring	1	PC

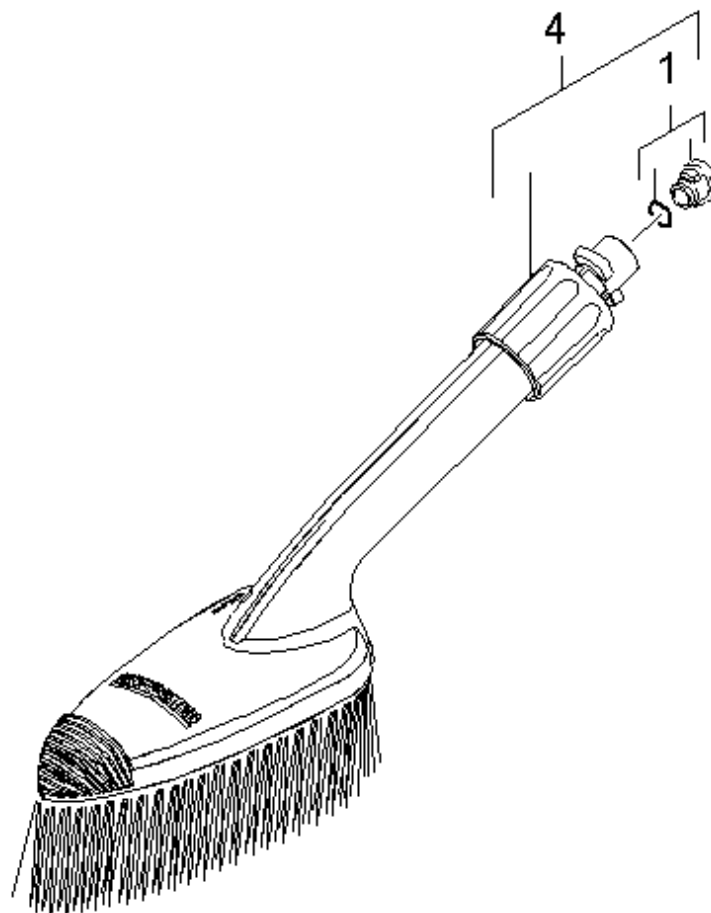
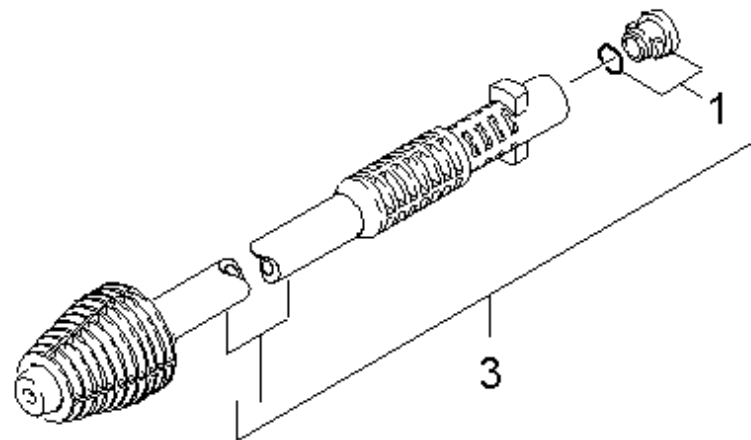
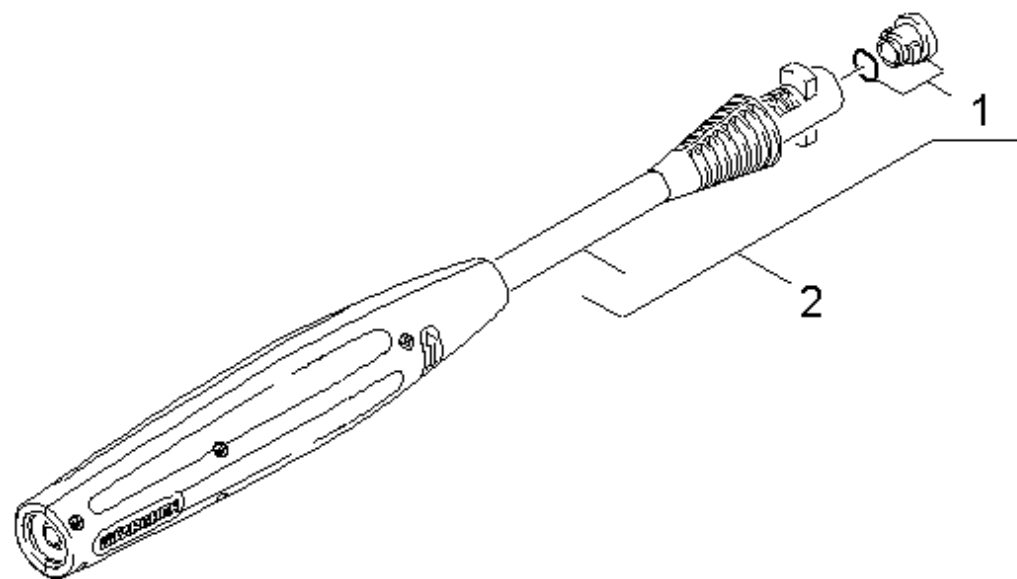
---



2 H 9 Q high pressure hose Quick Connect (2.641-721.0)

---

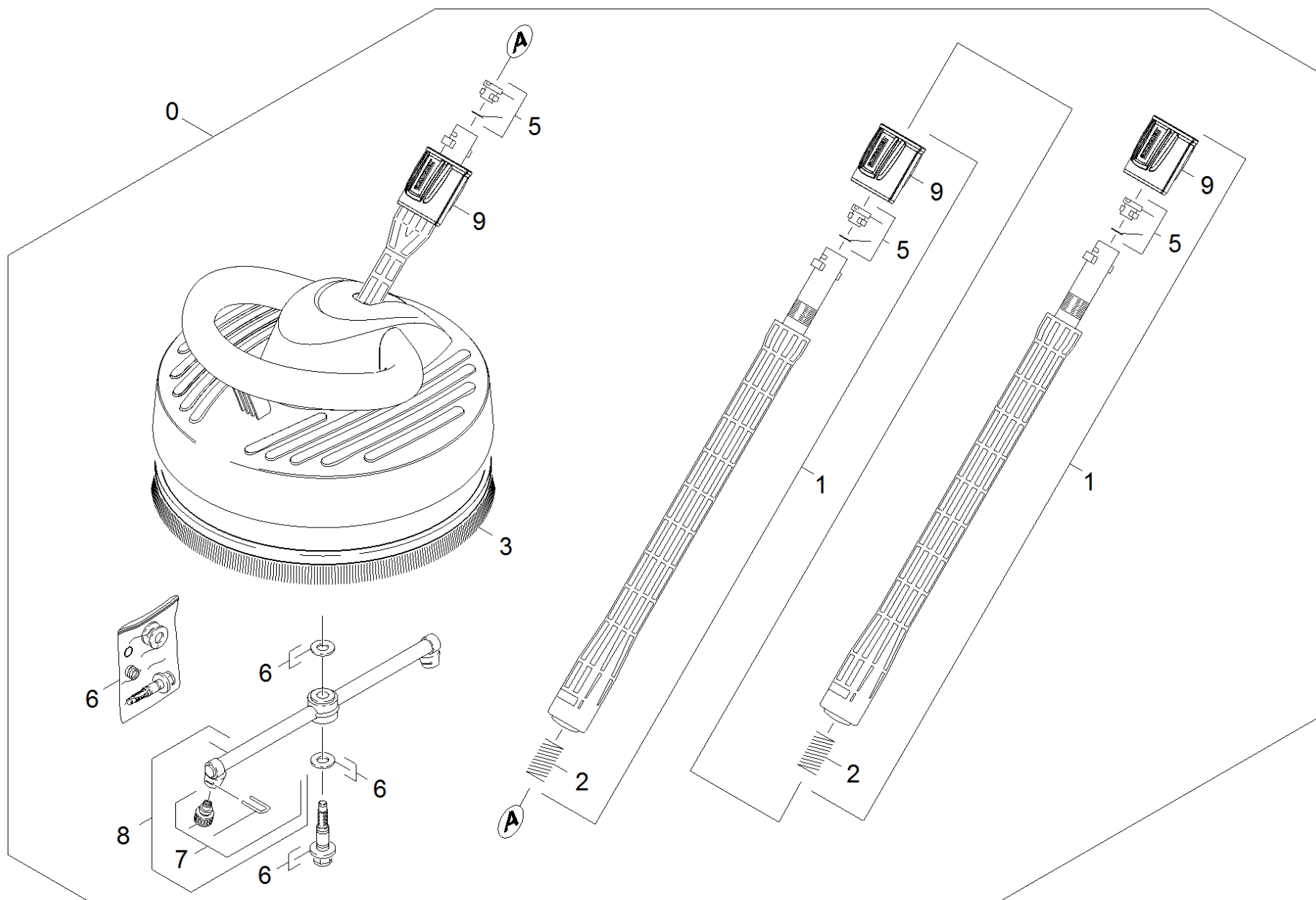
<b>POS</b>	<b>Article no.</b>	<b>Description</b>	<b>Quantity</b>	<b>Unit</b>
999	2.640-729.0	O-Ring seal set	1	PC



## 42 Jet pipe

---

POS	Article no.	Description	Quantity	Unit
1	2.640-729.0	O-Ring seal set	1	PC
2	4.760-534.0	VPS K3 0287 K	1	PC
3	4.764-375.0	Dirt blaster middle 031 ST	1	PC
4	2.640-589.0	Brush lengthwise	1	PC



## 43 Surface cleaner

POS	Article no.	Description	Quantity	Unit	Foot note text
0	2.641-361.0	T 200 verpackt	1	PC	
1	2.643-240.0	Single-step jet pipe extension	2	PC	
2	5.332-464.0	Pressure spring	2	PC	
3	9.002-592.3	Brush linear c/imballo	1	PC	
5	2.640-729.0	O-Ring seal set	3	PC	
6	2.883-994.0	Spare part set set of gaskets neutrally	1	PC	
7	2.641-556.0	Spare part set nozzles 027	1	PC	BLACK
7	2.643-338.0	Spare parts nozzles T-Racer	1	PC	GREY
8	2.885-003.0	Spare part set rotor neutrally	1	PC	
9	5.310-160.0	Nut Kaercher	3	PC	

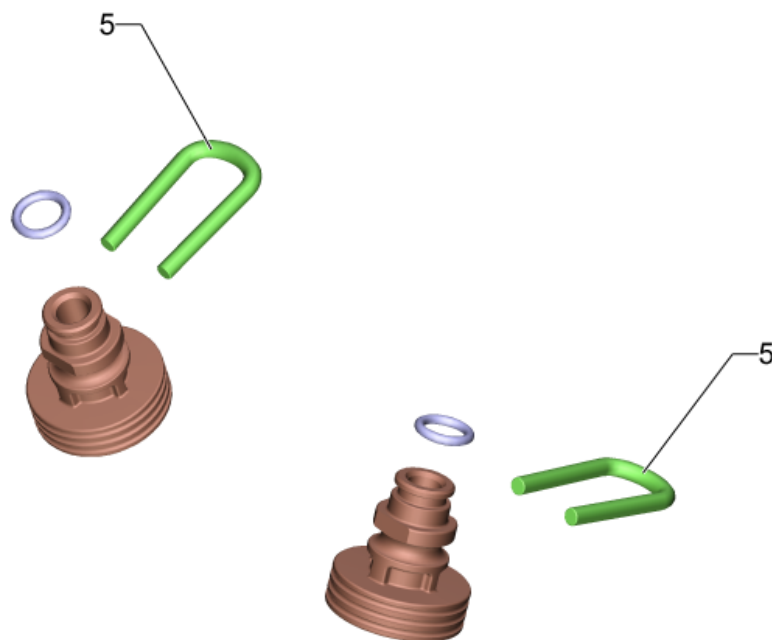





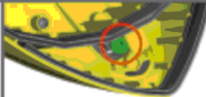









1 Single-step jet pipe extension (2.643-240.0)




---

<b>POS</b>	<b>Article no.</b>	<b>Description</b>	<b>Quantity</b>	<b>Unit</b>
3	2.640-729.0	O-Ring seal set	1	PC
8	5.332-464.0	Pressure spring	1	PC
10	5.310-160.0	Nut Kaercher	1	PC



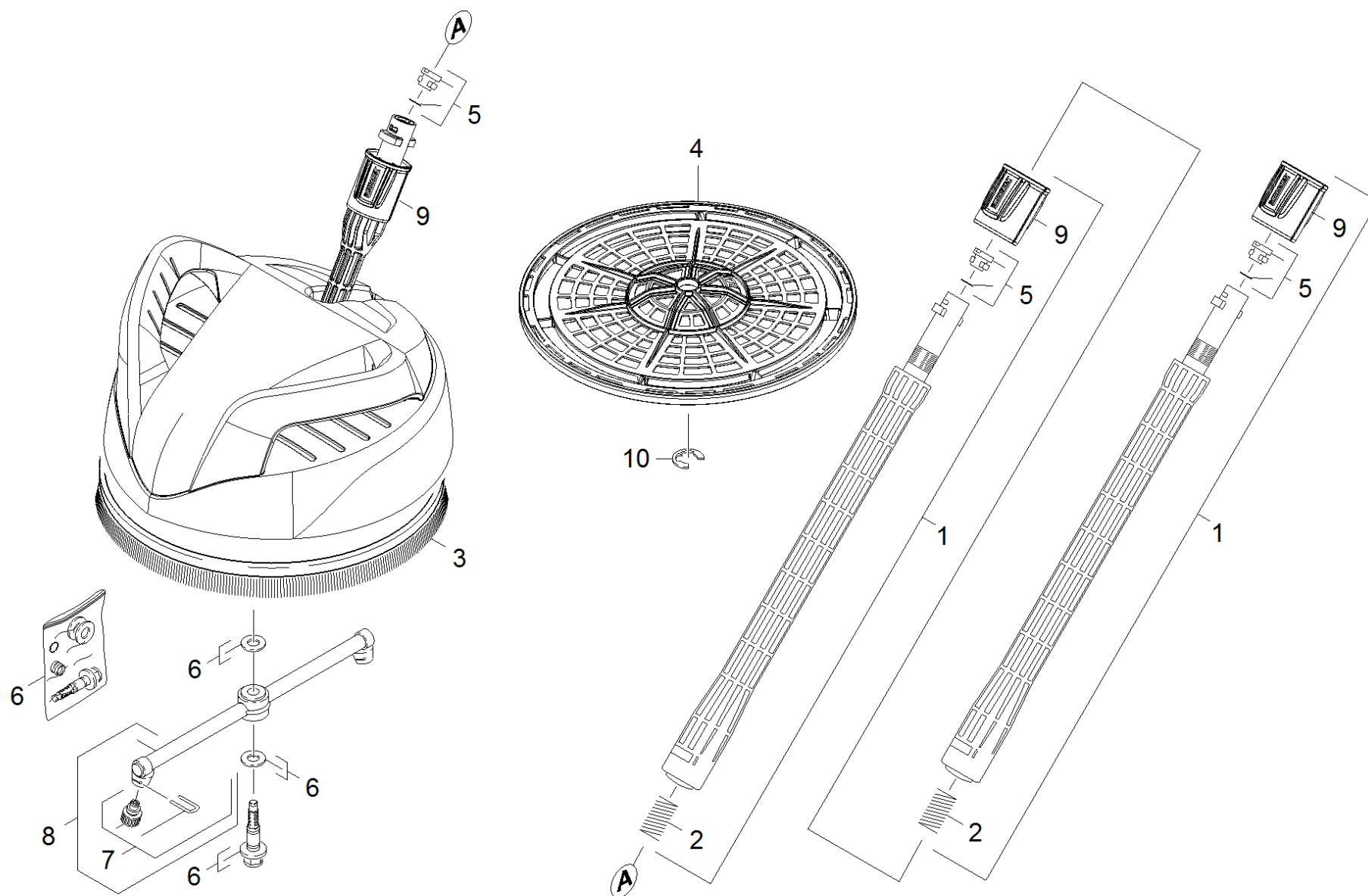
T 50, T 70, T 80, T 100 T 150, T 200, T 250, T 300, T 400, T 450, T 550	K 2 - K 5		
	K 6 - K 7		
T 400, T 450 T 550			
T 200, T 250	K 6 - K 7		
T 350 Gas			

	K 3 - K 5	
	K 6 - K 7	

	K 2	
	K 3 - K 5	

7 Spare parts nozzles T-Racer (2.643-338.0)

POS	Article no.	Description	Quantity	Unit	Remark	Foot note text
1	4.764-155.0	Nozzle complete 15015	1	PC	<13 MPa (<130 bar)	GREY
		<b>Item text1:</b> 015				
2	4.764-156.0	Nozzle complete 15020	1	PC	13 MPa (130 bar) - 16 MPa (160 bar)	YELLOW
		<b>Item text1:</b> 020				
3		Nozzle complete 15027	1	PC		BLACK
		<b>Item text1:</b> 027				
4	4.764-190.0	Nozzle kpl. 75047	1	PC		GREEN
		<b>Item text1:</b> 047				
5	5.037-151.0	Clamp	2	PC		



#### 44 Surface cleaner

---

<b>POS</b>	<b>Article no.</b>	<b>Description</b>	<b>Quantity</b>	<b>Unit</b>
1	2.643-240.0	Single-step jet pipe extension	2	PC
2	5.332-464.0	Pressure spring	2	PC
3	9.002-592.3	Brush linear c/imballo	1	PC
4	5.394-865.0	Grate T 250 Plus	1	PC
5	2.640-729.0	O-Ring seal set	3	PC
6	2.883-963.0	Bearing neck complete	1	PC
7	2.643-338.0	Spare parts nozzles T-Racer	1	PC
8	2.885-182.0	Spare part set rotor T 250 plus	1	PC
9	5.310-160.0	Nut Kaercher	3	PC
10	7.343-206.0	Lock washer 12-2.1030 DIN 6799	1	PC

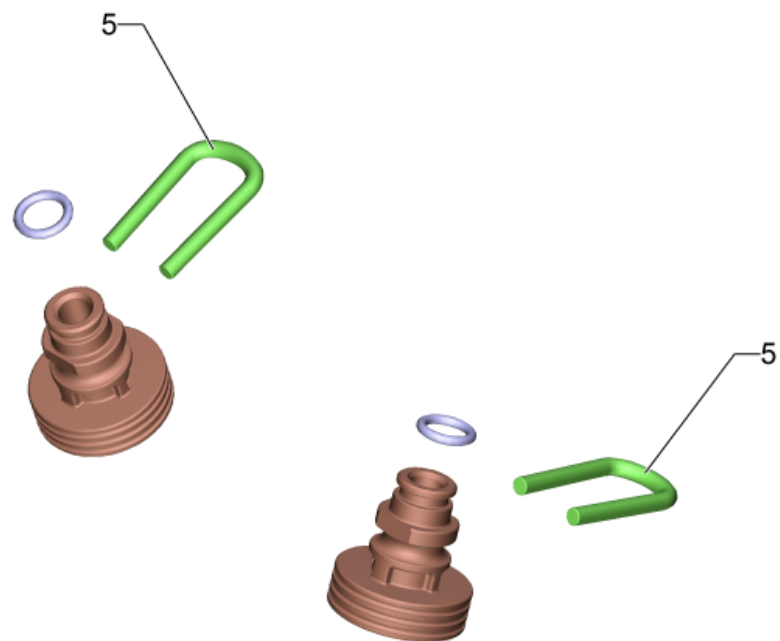





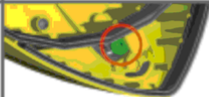




1 Single-step jet pipe extension (2.643-240.0)




---




<b>POS</b>	<b>Article no.</b>	<b>Description</b>	<b>Quantity</b>	<b>Unit</b>
3	2.640-729.0	O-Ring seal set	1	PC
8	5.332-464.0	Pressure spring	1	PC
10	5.310-160.0	Nut Kaercher	1	PC





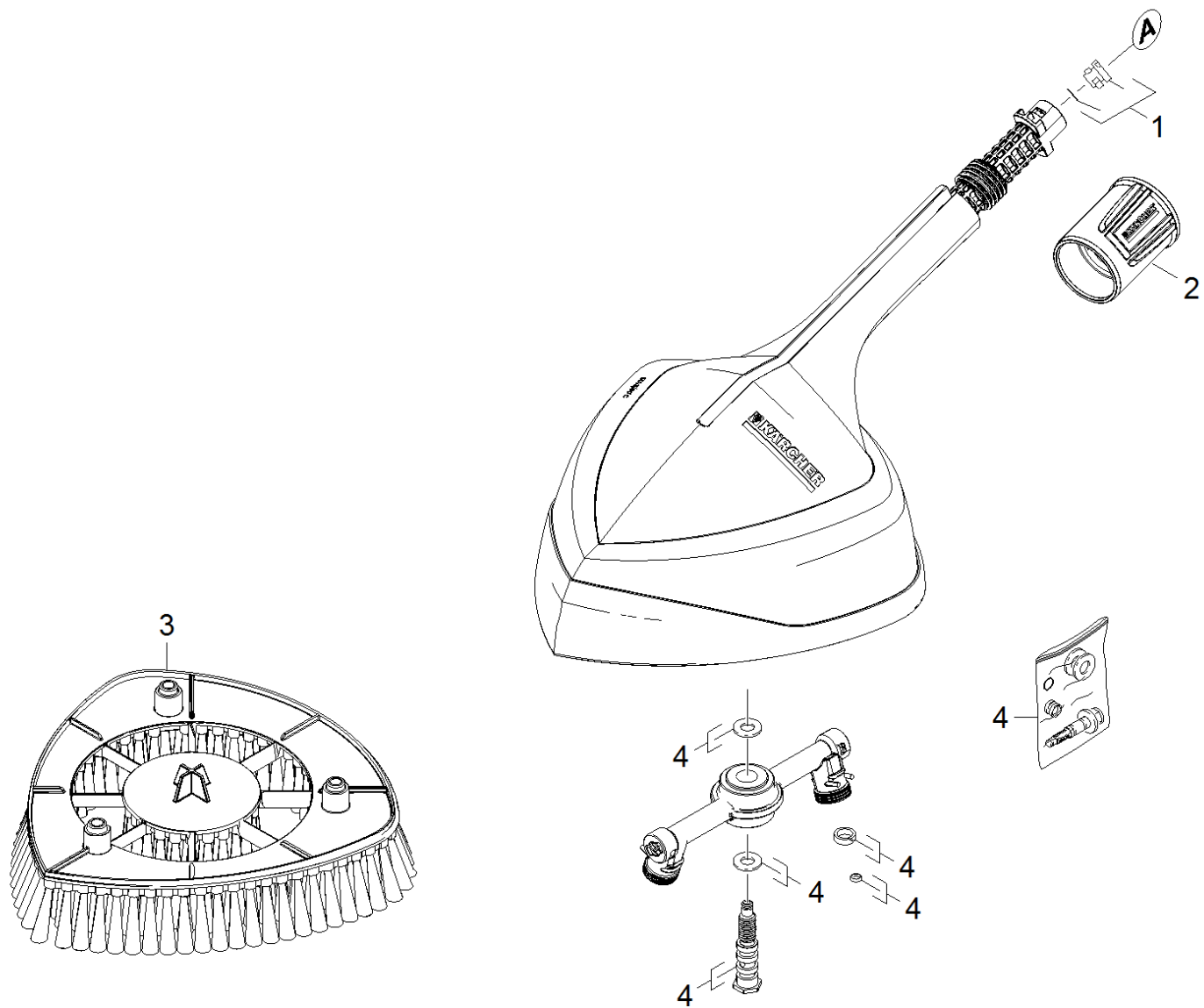
T 50, T 70, T 80, T 100 T 150, T 200, T 250, T 300, T 400, T 450, T 550	K 2 - K 5		
	K 6 - K 7		
T 400, T 450 T 550			
T 200, T 250	K 6 - K 7		
T 350 Gas			

	K 3 - K 5	
	K 6 - K 7	

	K 2	
	K 3 - K 5	

7 Spare parts nozzles T-Racer (2.643-338.0)

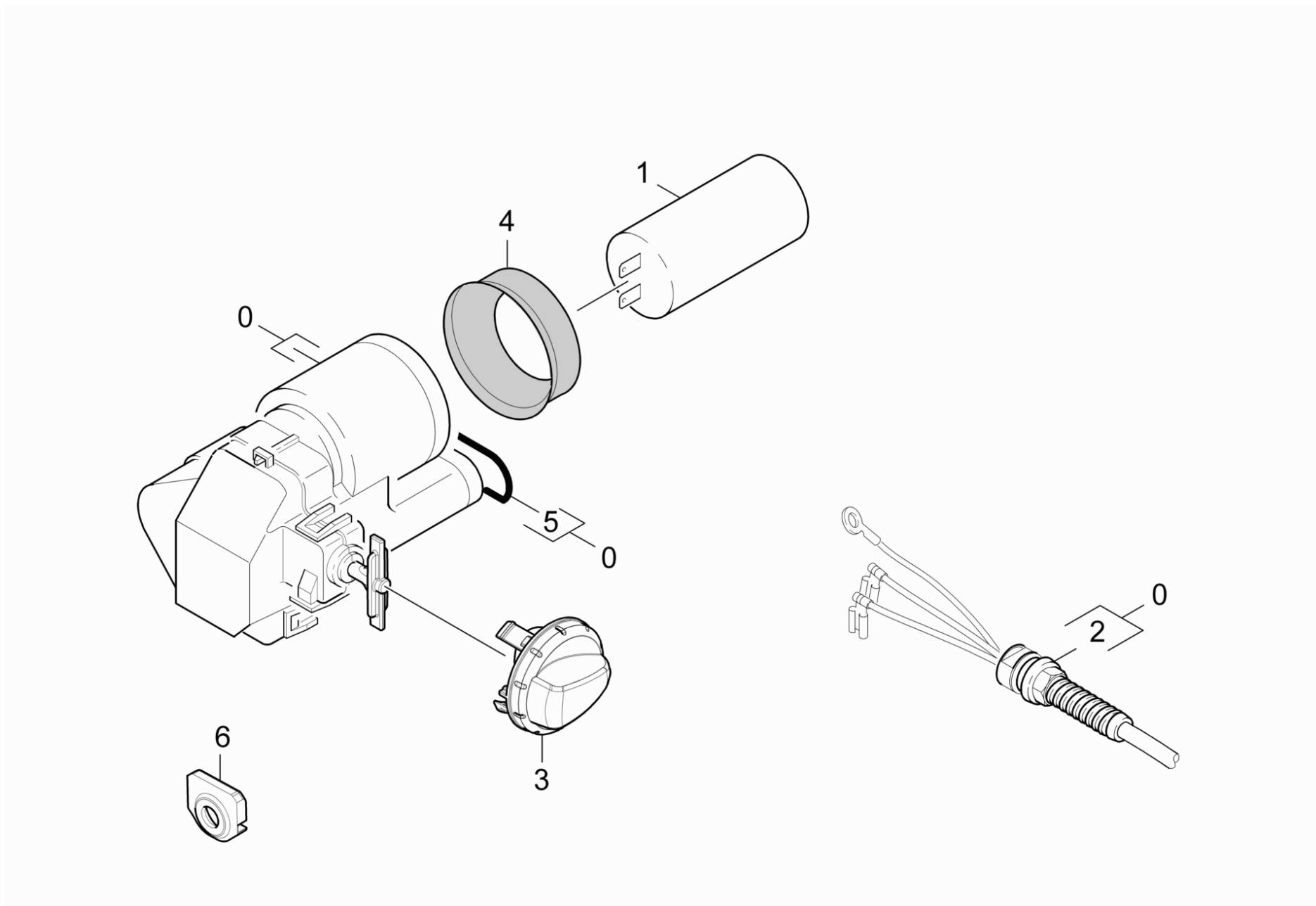
POS	Article no.	Description	Quantity	Unit	Remark	Foot note text
1	4.764-155.0	Nozzle complete 15015	1	PC	<13 MPa (<130 bar)	GREY
		<b>Item text1:</b> 015				
2	4.764-156.0	Nozzle complete 15020	1	PC	13 MPa (130 bar) - 16 MPa (160 bar)	YELLOW
		<b>Item text1:</b> 020				
3		Nozzle complete 15027	1	PC		BLACK
		<b>Item text1:</b> 027				
4	4.764-190.0	Nozzle kpl. 75047	1	PC		GREEN
		<b>Item text1:</b> 047				
5	5.037-151.0	Clamp	2	PC		



## 45 Power Brush

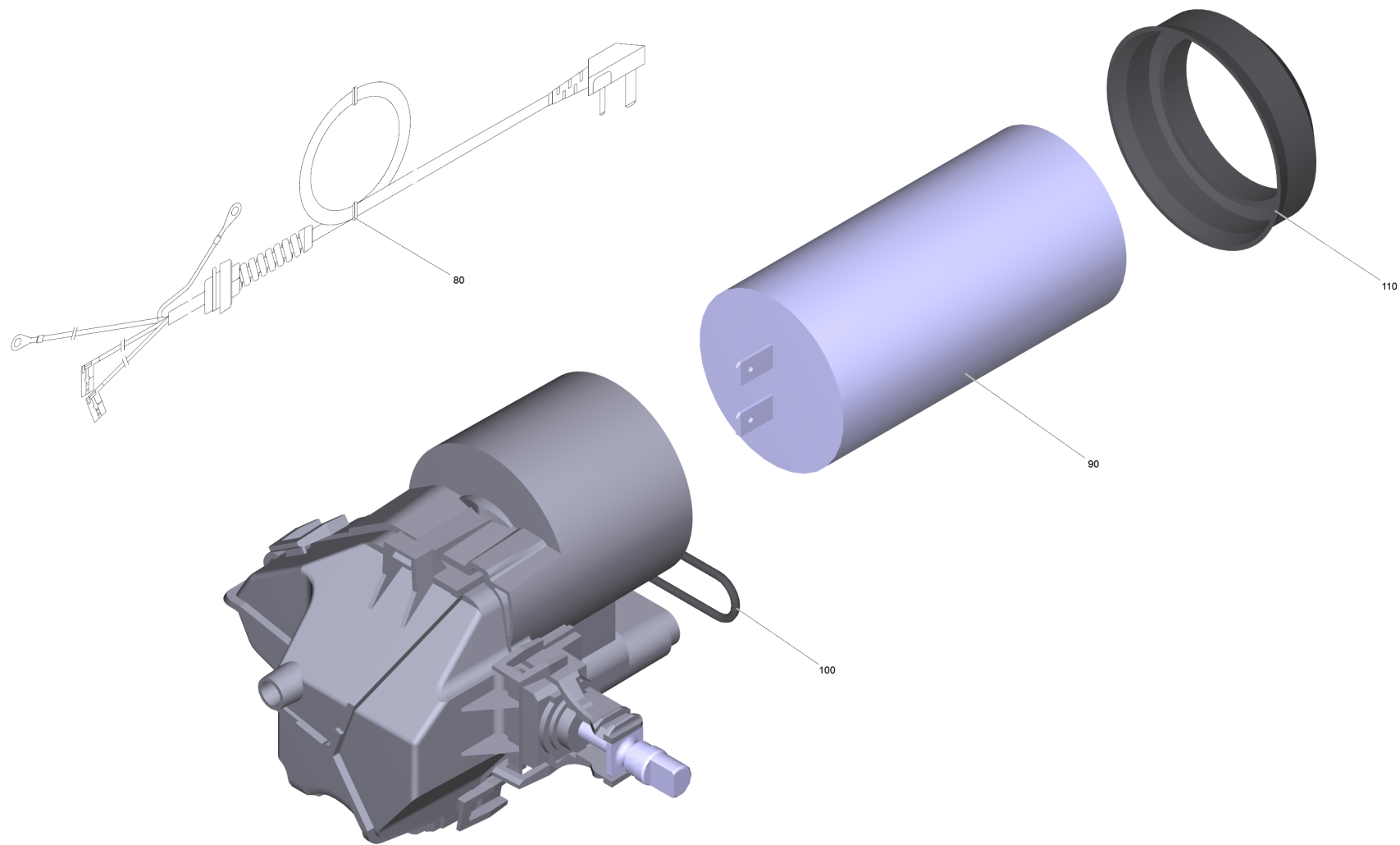
---

<b>POS</b>	<b>Article no.</b>	<b>Description</b>	<b>Quantity</b>	<b>Unit</b>
1	2.640-729.0	O-Ring seal set	1	PC
2	5.310-160.0	Nut Kaercher	1	PC
3	5.762-404.0	Brush beam Power-Brush	1	PC
4	2.883-994.0	Spare part set set of gaskets neutrally	1	PC



## 50 Electric box

POS	Article no.	Description	Quantity	Unit	Remark	Foot note text
0	9.001-767.0	Electric box spare part	1	PC		
	<b>Item text1:</b> 1.180-130.0 /-131.0 /-136.0					
0	9.001-768.0	Electric box spare part	1	PC		
	<b>Item text1:</b> 1.180-134.0					
0	9.001-768.0	Electric box spare part	1	PC	VERSION 1/A + V2	
	<b>Item text1:</b> 1.180-132.0/-135.0/-137.0/-138.0/-139.0					
0	9.001-770.0	Electric box spare part	1	PC		
	<b>Item text1:</b> 1.180-133.0					
0	9.002-397.0	spare part ebox 9013-3800	1	PC	VERSION 1/B	
	<b>Item text1:</b> 1.180-132.0/-135.0/-137.0/-138.0/-139.0					
1	9.085-013.0	Capacitor 25uF	1	PC		
	<b>Item text1:</b> 1.180-130.0 /-131.0 /-133.0 /-136.0					
1	9.085-095.0	Capacitor 32uF	1	PC		
	<b>Item text1:</b> 1.180-134.0					
1	9.085-095.0	Capacitor 32uF	1	PC		VERSION 1
	<b>Item text1:</b> 1.180-132.0/-135.0/-137.0/-138.0/-139.0					
2	9.084-139.0	Cable with plug *EU	1	PC		
	<b>Item text1:</b> 1.180-130.0 /-131.0 /-136.0					
2	9.084-144.0	Cable with plug	1	PC		
	<b>Item text1:</b> 1.180-134.0					
2	9.084-144.0	Cable with plug	1	PC		VERSION 1
	<b>Item text1:</b> 1.180-132.0/-135.0/-137.0/-138.0/-139.0					
2	9.084-290.0	Cable with plug 3G1 *CH	1	PC		
	<b>Item text1:</b> 1.180-133.0					
3	9.037-693.0	Handhold switch	1	PC		
4	9.080-465.0	Joint ring capacitor d.45, 70 Shore	1	PC		
5	9.081-417.0	O-Ring d.20 x 2	1	PC		
6	9.037-441.0	Spacer electric box WCM	1	PC		





spare part ebox 9013-3800 (9.002-397.0)

---

<b>POS</b>	<b>Article no.</b>	<b>Description</b>	<b>Quantity</b>	<b>Unit</b>
80	9.084-144.0	Cable with plug	1	PC
90	9.085-086.0	Capacitor WCM 35uF	1	PC
100	9.080-494.0	OR 20x2 EPDM70ShA PTFE	1	PC
110	9.080-465.0	Joint ring capacitor d.45, 70 Shore	1	PC