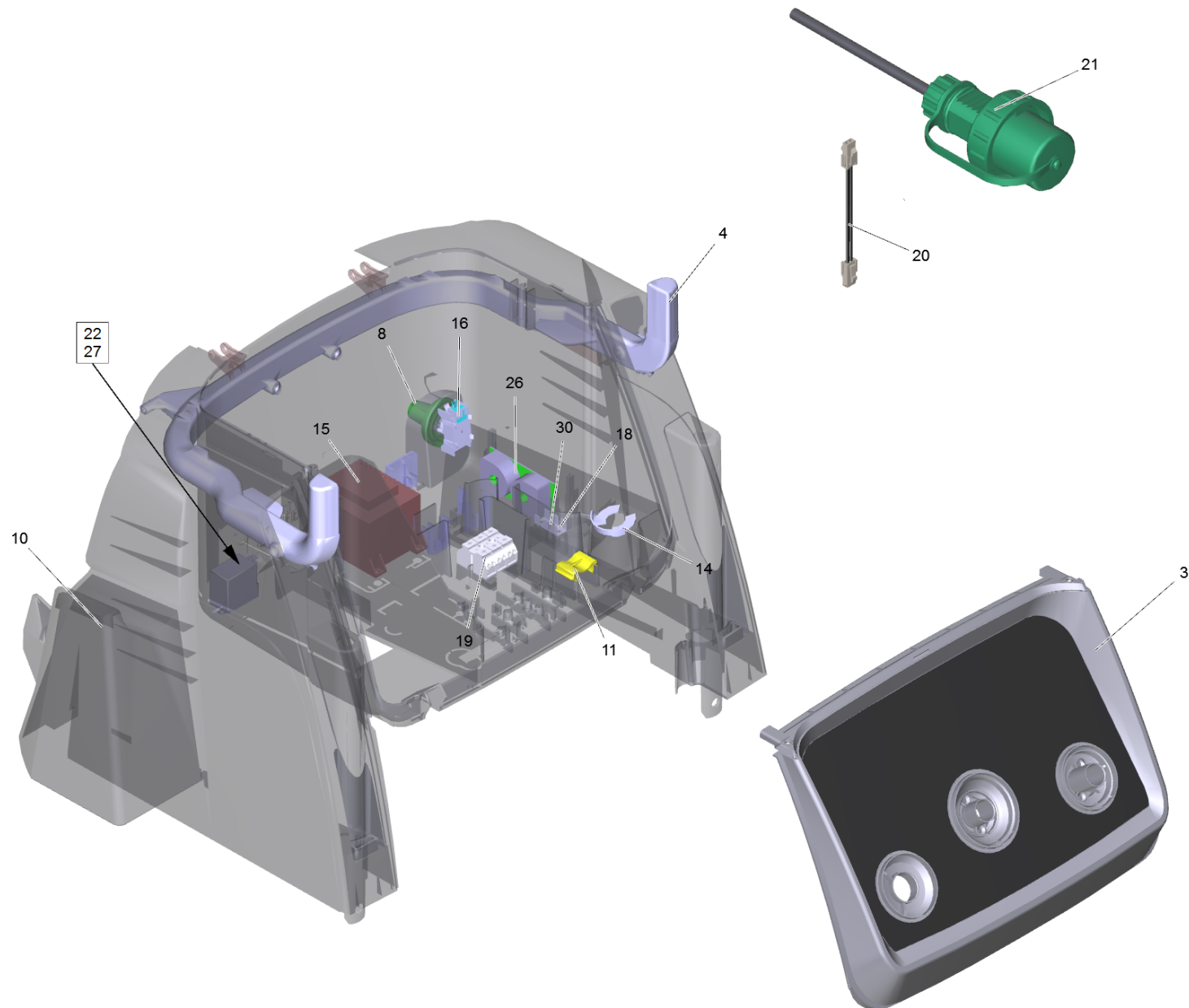


## 8 Electric control box

Professional \ High pressure cleaner hotwater \ Electric motor \ HDS 13/20-4 S \*EU-I \ HDS 13/20-4 S \*EU-I TV 01.01.2018 \ Electric control box

**KÄRCHER**



## 8 Electric control box

Professional \ High pressure cleaner hotwater \ Electric motor \ HDS 13/20-4 S \*EU-I \ HDS 13/20-4 S \*EU-I TV 01.01.2018 \ Electric control box

**KÄRCHER**

POS	Article no.	Description	Quantity	Unit
22	6.649-383.0	Cable 2x0,35 700mm	1	PC
20	6.649-533.0	Cable 3xAWG22 500mm	1	PC
21	6.649-380.3	Cable with plug 4x2,5mm <sup>2</sup>	1	PC
26	6.682-881.3	Circuit board current transformer for replacement	1	PC
3		Control panel kpl.	1	PC
15	6.622-283.3	Control transformer	1	PC
8	5.324-172.0	Handle qusty grey RAL 7037	1	PC
11	5.802-307.0	Holder cable	1	PC
14	6.343-186.0	Locking ring	1	PC
10	5.801-153.0	Mounting plate	1	PC
18	6.641-270.0	Plug	1	PC
4	5.033-111.0	Profile	1	PC
30	7.303-106.0	Screw 4x12 -10.9-R2R (IN6RD)	1	PC
16	6.630-423.0	Switch service	1	PC
19	6.644-364.0	Terminal clamp four-core triple-pole	1	PC
27	4.686-029.0	Thermostat only for replacement	1	PC