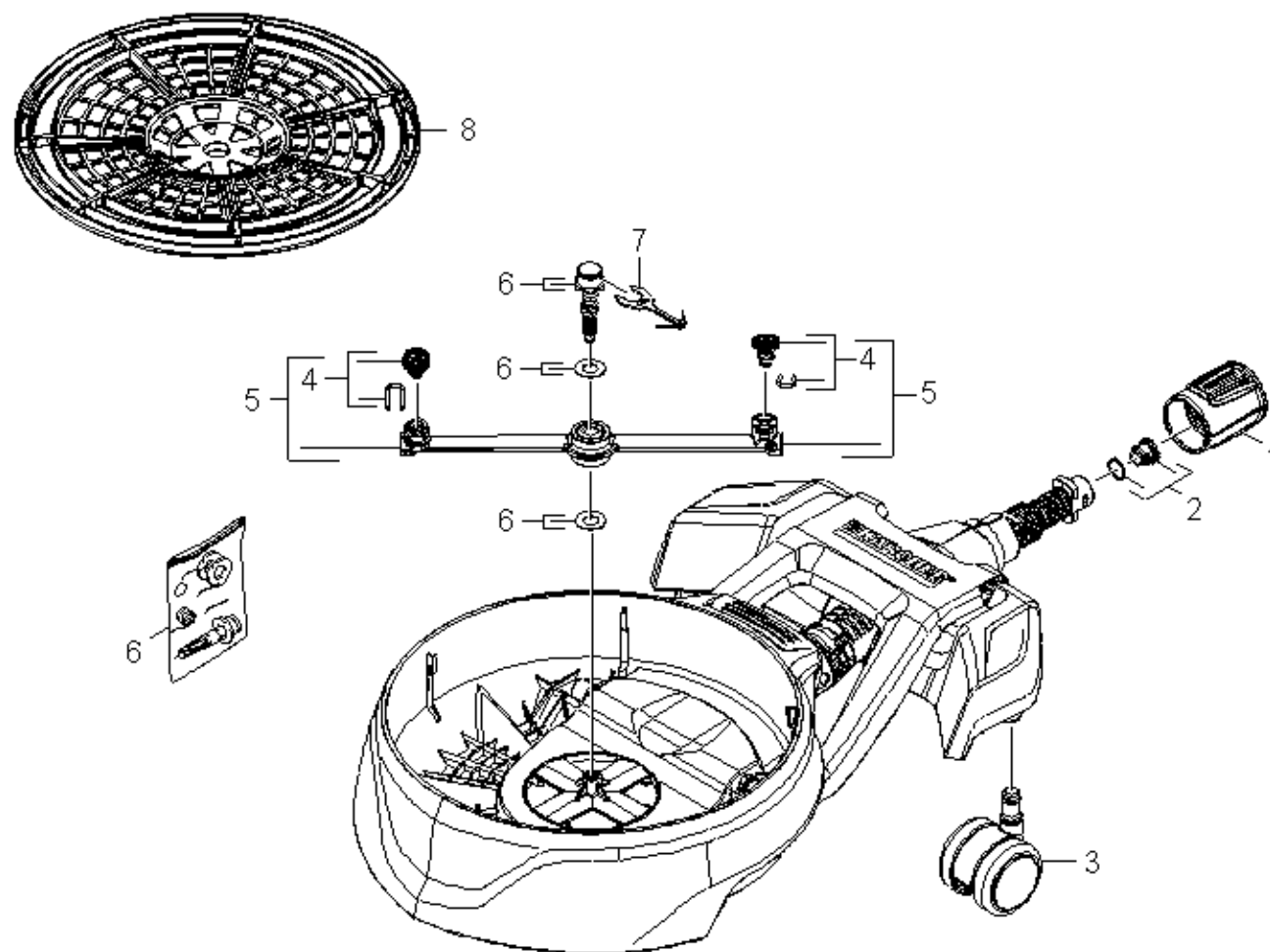


**Rezerves daļu saraksts
(5.971-323.0) Spare parts list under-floor cleaning**

Spare parts list under-floor cleaning (5.971-323.0)	3
10 Work head	4
20 HD joint	6
6 single step jet pipe (2.643-240.0)	8
30 Preservative agent nozzle.....	10

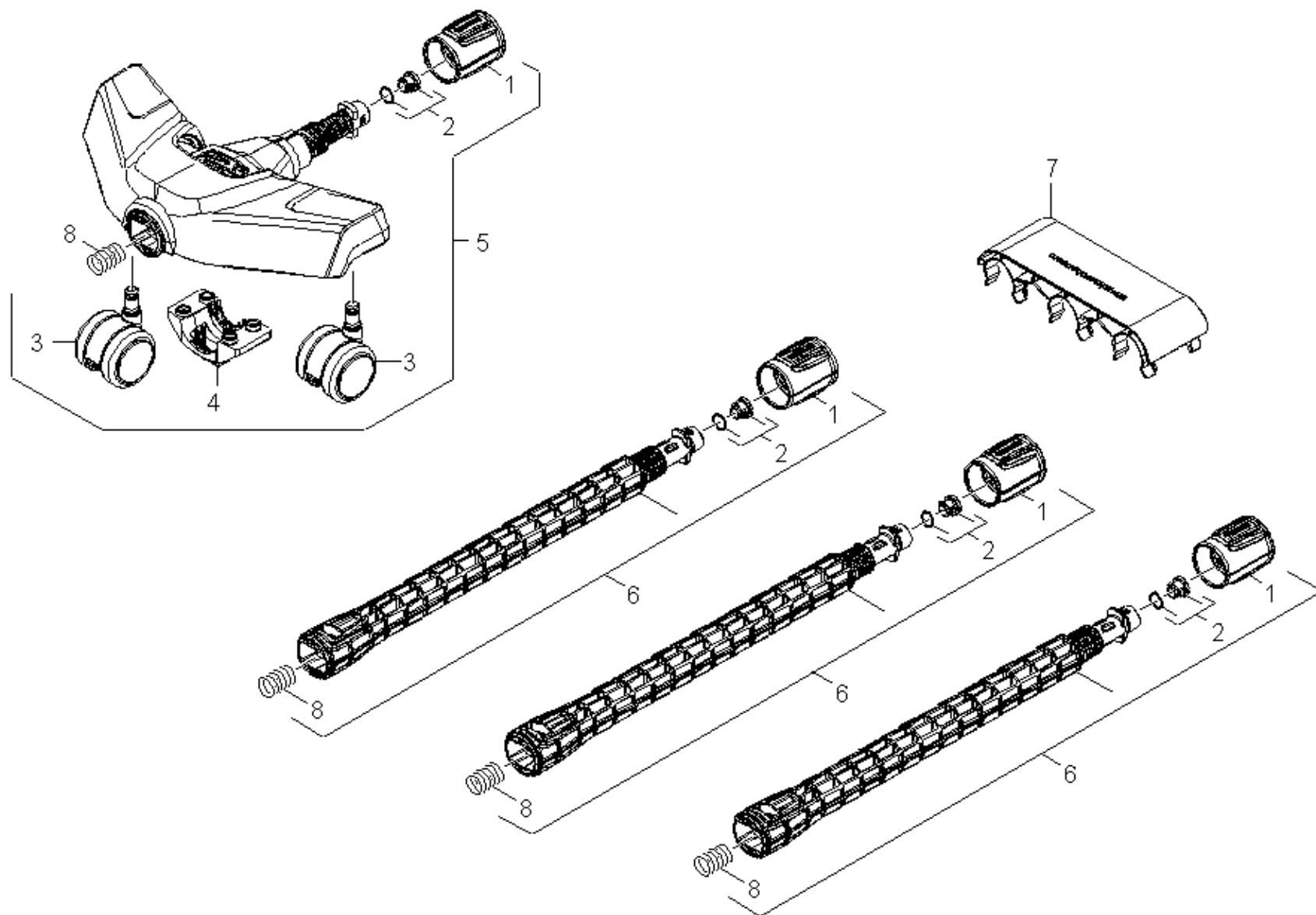
Spare parts list under-floor cleaning (5.971-323.0)

Poz.	Nosaukums	Daudzums	Pārdoš. vienība
10	Work head	1.000	ST
20	HD joint	1.000	ST
30	Preservative agent nozzle	1.000	ST



10 Work head

Rez.daļas/nodil.pakļ.dajas	Poz.	Materiāla Nr.	Nosaukums	Daudzums	Pārdoš. vienība
	1	5.310-160.0	Nut Kaercher	1.000	ST
X-X	2	2.640-729.0	O-Ring seal set	1.000	ST
	3	6.435-808.0	Castor	2.000	ST
X	4	2.642-689.0	Spare part set nozzle 15033	1.000	ST
	4	2.641-556.0	Spare part set nozzles 027	1.000	ST
X-X	4	2.640-642.0	Spare part set nozzles	1.000	ST
X	5	2.885-270.0	Spare part set rotor under-floor cleanin	1.000	ST
	6	2.883-963.0	Set of gaskets T-RACER	1.000	ST
X	7	5.116-448.0	Lock washer	1.000	ST
	8	5.394-865.0	Grate T 250 Plus	1.000	ST



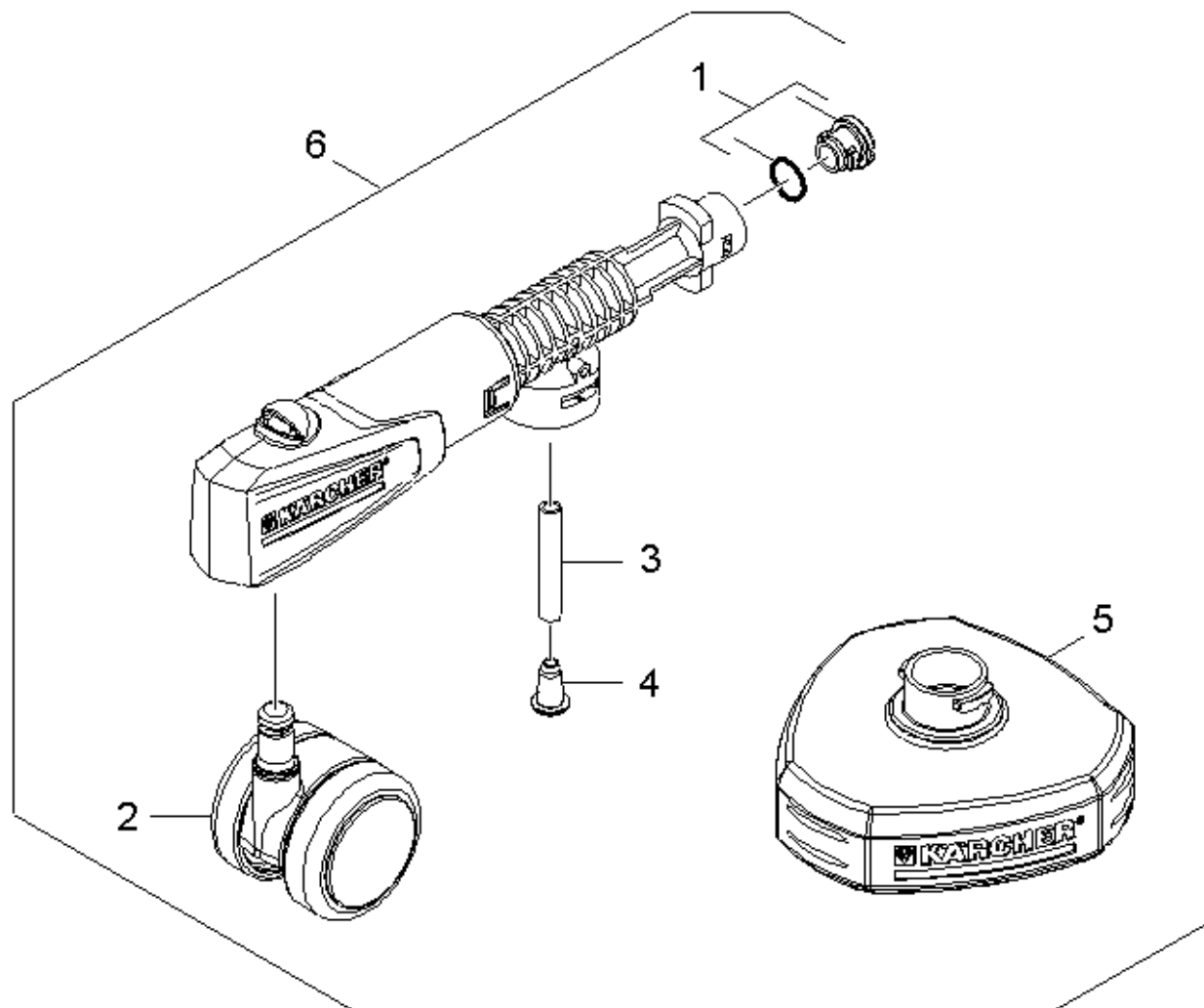
20 HD joint

Rez.daļas/nodil.pakļ.daļas	Poz.	Materiāla Nr.	Nosaukums	Daudzums	Pārdoš. vienība
	1	5.310-160.0	Nut Kaercher	4.000	ST
X-X	2	2.640-729.0	O-Ring seal set	4.000	ST
	3	6.435-808.0	Castor	2.000	ST
	4	5.322-052.0	Holder-up	1.000	ST
	5	4.481-278.0	HD joint rear	1.000	ST
X-X	6	2.643-240.0	single step jet pipe	3.000	ST
	7	5.112-881.0	Holder jet pipe	1.000	ST
	8	5.332-464.0	Pressure spring	4.000	ST



6 single step jet pipe (2.643-240.0)

Rez.daļas/nodil.pakļ.dājas	Poz.	Materiāla Nr.	Nosaukums	Daudzums	Pārdoš. vienība
X-X	3	2.640-729.0	O-Ring seal set	1.000	ST
	8	5.332-464.0	Pressure spring	1.000	ST
	10	5.310-160.0	Nut Kaercher	1.000	ST



30 Preservative agent nozzle

Rez.daļas/nodil.pakļ.dajas	Poz.	Materiāla Nr.	Nosaukums	Daudzums	Pārdoš. vienība
X-X	1	2.640-729.0	O-Ring seal set	1.000	ST
	2	6.435-808.0	Castor	1.000	ST
	3	6.388-216.0	Šjūtene DN 5	1.000	M
	4	5.411-538.0	Throttle	1.000	ST
	5	5.071-260.0	Tank 0,2l	1.000	ST
	6	4.764-234.0	Preservative agent nozzle chassis cleane	1.000	ST