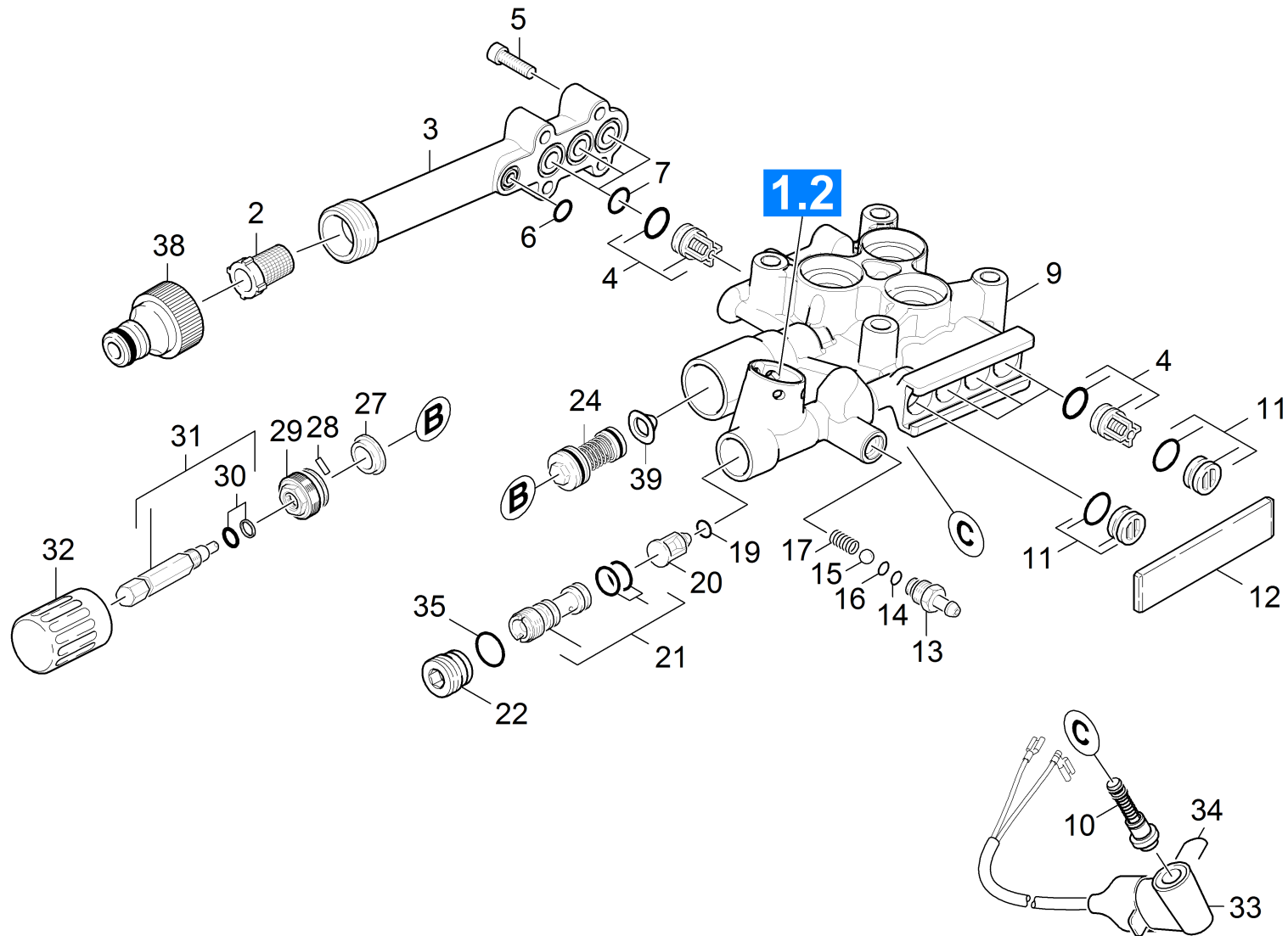


# 21 Cylinder head

Home and Garden \ High pressure cleaner cold water \ Electric motor \ Others \ Xpert HD 7125 X \*EU \ Spare parts list Xpert HD 7125 X \*EU \ Pump set \ Cylinder head



## 21 Cylinder head

Home and Garden \ High pressure cleaner cold water \ Electric motor \ Others \ Xpert HD 7125 X \*EU \ Spare parts list Xpert HD 7125 X \*EU \ Pump set \ Cylinder head



POS	Article no.	Description	Quantity	Unit
2	6.414-252.0	Strainer	1.000	ST
3	5.064-150.0	Suction cover	1.000	ST
4	2.884-916.0	Valve (3 Stück)	2.000	ST
5	7.306-105.0	Screw M6x30 -8.8-R3R (In6Rd)	4.000	ST
6	6.362-384.0	O-Ring seal 9x1,5 - NBR 70	1.000	ST
7	6.362-533.0	O-Ring seal 14,0 X 1,5-NBR 70	3.000	ST
9	5.550-306.3	Cylinder head	1.000	ST
10	2.884-501.0	Spare part set control piston	1.000	ST
11	4.132-007.0	Drain plug only for replacement	4.000	ST
12	5.003-062.0	Plate	1.000	ST
13	5.443-624.0	Nipple	1.000	ST
14	6.362-113.0	O-Ring seal 6,0 x 2,0 NBR 70	1.000	ST
15	7.401-908.0	Sphere 7 G300 -1.4301 DIN 5401	1.000	ST
16	6.363-597.0	O-Ring seal 5,28 x 1,78	1.000	ST
17	5.332-258.0	Helical spring	1.000	ST
19	6.363-613.0	O-Ring seal 4 x 2 -NBR90	1.000	ST
20	4.584-022.0	Valve pin complete	1.000	ST
21	4.769-035.0	Nozzle insert	1.000	ST
22	5.411-171.0	Screw plug	1.000	ST
24	4.591-038.0	Overflow valve	1.000	ST
27	5.110-630.0	Sleeve	1.000	ST
28	7.314-629.0	Grooved pin 2x10 -A1 ISO 8742	1.000	ST
29	5.583-147.0	Valve screw	1.000	ST
30	6.362-468.0	O-Ring seal complete 1ST.-R.	1.000	ST
31	4.291-014.0	Spindle complete	1.000	ST
32	5.322-095.0	Handhold yellow RAL 1018	1.000	ST
33	4.744-168.0	Switch complete	1.000	ST
34	5.034-494.0	Retaining bracket	1.000	ST
35	6.362-480.0	O-Ring seal 12,42x 1,78	1.000	ST
38	6.465-031.0	Connection 3/4	1.000	ST
39	5.665-001.3	Throttle D1,35	1.000	ST
	<b>Item text1:</b> 1.514-512.0			
100	2.883-997.0	PUMP SET HD 5/12 C	1.000	ST