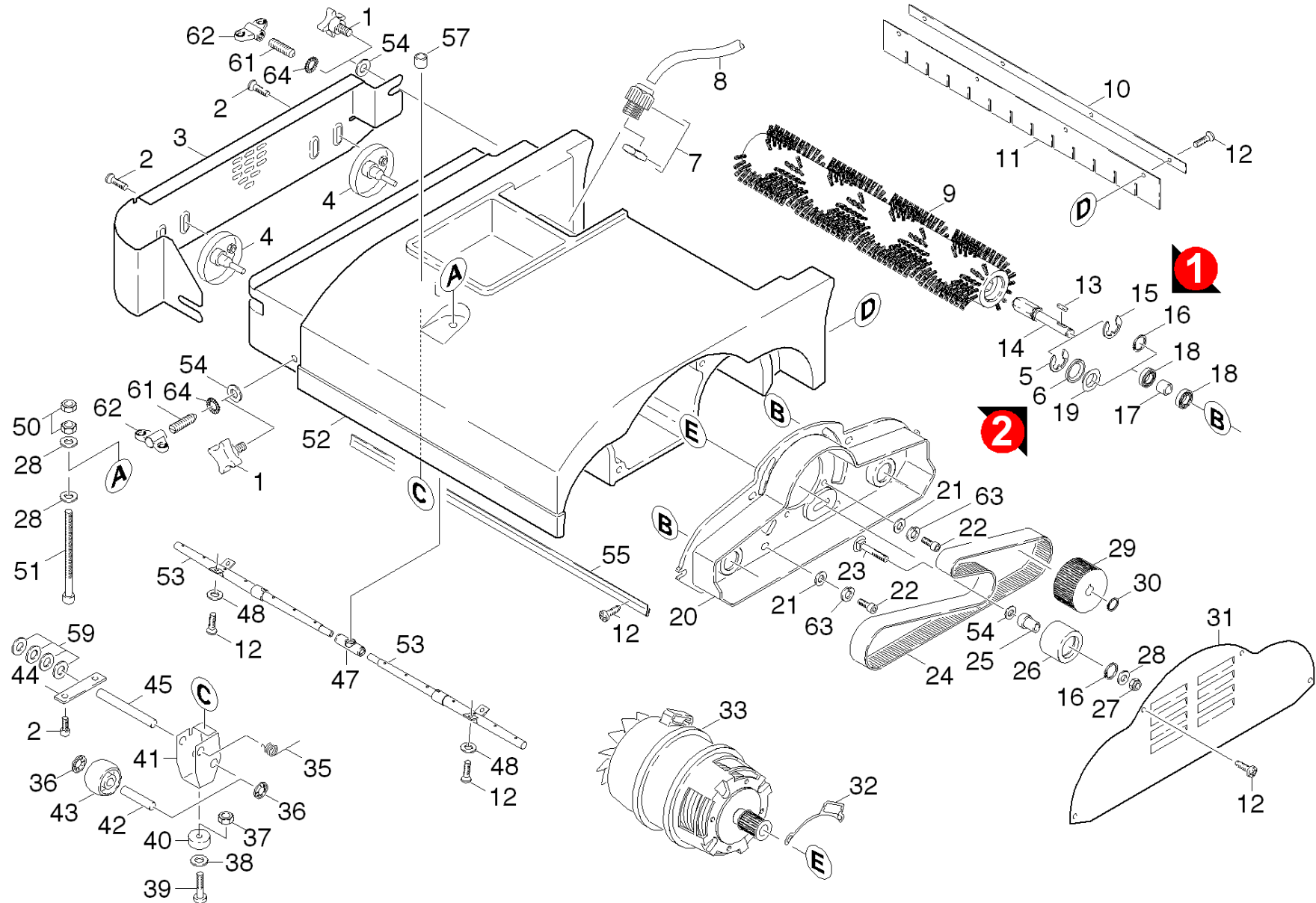


# 60 Power brush -BR

Overview technical documents/Professional/Floor cleaner/Walk behind/BR 530 O.SAUGB. \*EU (1.127-321.0)/Spare parts list BR 530 Netz/60 Power brush -BR



**60 Power brush -BR**

Overview technical documents/Professional/Floor cleaner/Walk behind/BR 530 O.SAUGB. \*EU (1.127-321.0)/Spare parts list BR 530 Netz/60 Power brush -BR

ET/VT (spare/wear parts)	Pos	Material #	Name	Qty.	Unit	from ser.nr.	up to ser.nr.	Footnote text
	1	6.321-054.0	Star handle M8X16	2.000	ST	0000000000	0000035011	
X-X	2	7.306-191.0	Screw M6x10 -A2-70 (In6Rd)	8.000	ST	0000000000	0000000000	
	3	4.044-064.0	Holder-up	1.000	ST	0000000000	0000000000	
X-X	4	4.038-493.0	Sheet metal component	2.000	ST	0000000000	0000000000	
X-X	5	6.343-250.0	Locking ring 28x1,2 JL	2.000	ST	0000066578	0000000000	VERSION 2
X-X	6	5.114-521.0	Spacer ring	2.000	ST	0000066578	0000000000	VERSION 2
X-X	7	6.647-714.0	Cable gland M20x1,5	1.000	ST	0000000000	0000000000	
	8	6.642-011.0	Insulating hose 10	1.000	M			TO ORDER AS CUT GOODS
	9	5.762-211.0	Roller brush white (old colour black )	2.000	ST			
Position text: / 1.127-221.0 / -421.0 / -807.0								
X-X	9	5.762-209.0	Roller brush orange (old colour red )	2.000	ST			
Position text: / 1.127-221.0 / -421.0 / -807.0								
	9	5.762-263.0	Roller brush black ( old colour grey )	2.000	ST	0000000000	0000000000	
Position text: / 1.127-221.0 / -241.0								
X-X	9	5.762-208.0	Roller brush red ( old colour white )	2.000	ST			STANDARD
Position text: / 1.127-221.0 / -421.0 / -807.0								
X-X	9	5.762-170.0	Roller brush orange (old colour red )	2.000	ST			
Position text: / 1.127-121.0 / -321.0 / -683.0/ -805.0 / -809.0								
	9	5.762-210.0	Roller brush green ( old colour grey )	2.000	ST			
Position text: / 1.127-221.0 / -421.0 / -807.0								
X-X	9	5.762-008.0	Roller brush red	2.000	ST			STANDARD
Position text: / 1.127-121.0 / -321.0 / -683.0/ -805.0 / -809.0								
	9	5.762-264.0	Roller brush black ( old colour grey )	2.000	ST	0000000000	0000000000	
Position text: / 1.127-121.0 / -321.0 / -805.0/ -809.0								
X-X	9	5.762-172.0	Roller brush white (old colour black )	2.000	ST			
Position text: / 1.127-121.0 / -321.0 / -683.0/ -805.0 / -809.0								

**60 Power brush -BR**

Overview technical documents/Professional/Floor cleaner/Walk behind/BR 530 O.SAUGB. \*EU (1.127-321.0)/Spare parts list BR 530 Netz/60 Power brush -BR

ET/VT (spare/wear parts)	Pos	Material #	Name	Qty.	Unit	from ser.nr.	up to ser.nr.	Footnote text
X-X	9	5.762-171.0	Roller brush green ( old colour grey )	2.000	ST			
Position text: / 1.127-121.0 / -321.0 / -683.0/ -805.0 / -809.0								
	10	5.003-984.0	Plate	1.000	ST	0000000000	0000000000	
Position text: / 1.127-221.0 / -421.0 / -807.0								
X-X	10	5.003-196.0	Plate	1.000	ST	0000000000	0000000000	
Position text: / 1.127-121.0 / -321.0 / -683.0/ -805.0 / -809.0								
X-X	11	5.190-057.0	Strip	1.000	ST	0000000000	0000000000	
Position text: / 1.127-121.0 / -321.0 / -683.0/ -805.0 / -809.0								
X-X	11	5.190-093.0	Strip XL	1.000	ST	0000000000	0000000000	
Position text: / 1.127-221.0 / -421.0 / -807.0								
X-X	12	7.303-104.0	Screw 5x16 -A2-70 (IN6RD)	14.000	ST	0000000000	0000000000	
X-X	13	7.318-007.0	Parallel key 4x4x16-C45R DIN 6885	2.000	ST	0000000000	0000000000	
X-X	14	5.100-191.0	Driveshaft BR 550/530	2.000	ST	0000000000	0000066577	
X-X	14	5.103-038.0	Shaft hexagon BR 530	2.000	ST	0000066578	0000000000	
X-X	15	7.343-304.0	Lock washer 15 -A2 DIN 6799	2.000	ST	0000000000	0000066577	VERSION 1
X	16	7.343-151.0	Locking ring 28x1,2-FST-RF DIN 472	3.000	ST	0000000000	0000066577	VERSION 1
X-X	17	5.116-101.0	Sleeve	2.000	ST	0000066578	0000000000	
X-X	17	5.110-322.0	Sleeve	2.000	ST	0000000000	0000066577	
X-X	18	6.401-363.0	Ball bearing	4.000	ST	0000000000	0000000000	
X-X	19	6.401-385.0	Ring Nilos D 28	2.000	ST	0000066578	0000000000	VERSION 2
X-X	20	5.044-075.0	Retainer plate transmission	1.000	ST	0000000000	0000000000	
X-X	21	7.312-292.0	Washer 6 -A2 ISO 7093-1	10.000	ST	0000000000	0000000000	
X-X	22	7.306-031.0	Screw M 6x16-A2-70 DIN 7984	10.000	ST	0000000000	0000000000	
X-X	23	7.303-186.0	Saucer-head screw M8x40 -St-A0P DIN 603	1.000	ST	0000000000	0000000000	
X-X	24	6.348-376.0	Toothed belt HTD 843-3M-25-CXP111	1.000	ST	0000000000	0000000000	

**60 Power brush -BR**

Overview technical documents/Professional/Floor cleaner/Walk behind/BR 530 O.SAUGB. \*EU (1.127-321.0)/Spare parts list BR 530 Netz/60 Power brush -BR

ET/VT (spare/wear parts)	Pos	Material #	Name	Qty.	Unit	from ser.nr.	up to ser.nr.	Footnote text
X	25	5.110-678.0	Sleeve	1.000	ST	0000000000	0000000000	
X-X	26	4.250-083.0	Tension roller D = 33,5	1.000	ST	0000000000	0000000000	
X-X	27	7.311-427.0	Hexagon nut M8 -04-A2E ISO 10511	1.000	ST	0000000000	0000000000	
	28	7.312-288.0	Washer 3,5 -200HV-A2E ISO7093-1	3.000	ST	0000000000	0000000000	
X-X	29	5.625-317.0	Belt pulley 59Z	2.000	ST	0000000000	0000000000	
X-X	30	7.343-003.0	Locking ring 12x1-Rf-St DIN 471	2.000	ST	0000000000	0000000000	
X-X	31	5.003-959.0	Cover plate	1.000	ST	0000000000	0000000000	
	32	5.006-017.0	Holder plug	1.000	ST	0000000000	0000000000	
X-X	33	4.623-428.0	Motor complete only for replacement 24V	1.000	ST			
Position text: / 1.127-131.0 / -161.0 / -231.0 / -261.0								
	33	4.623-512.0	Motor complete BR530 *	1.000	ST	0000000000	0000000000	
Position text: / 1.127-683.0								
X-X	33	4.623-608.0	Motor 230V BR 530	1.000	ST	0000000000	0000000000	
Position text: / 1.127-121.0 / -221.0 / -321.0 / -421.0 / -805.0 / -807.0 / -809.0								
X-X	35	5.335-035.0	Spiral spring	1.000	ST	0000000000	0000000000	
X	36	6.343-149.0	Quick-fastener	2.000	ST	0000000000	0000000000	
X-X	37	7.311-422.0	Hexagon nut M 6-1.4305 ISO 10511	1.000	ST	0000000000	0000000000	
X-X	38	7.312-073.0	Washer 8 -CuZn ISO 7092	1.000	ST	0000000000	0000000000	
X-X	39	7.306-193.0	Screw M6x16 -A2-70 (In6Rd)	1.000	ST	0000000000	0000000000	
X-X	40	5.031-519.0	Stand foot	1.000	ST	0000000000	0000000000	
	41	5.052-043.0	Stand	1.000	ST	0000000000	0000000000	
X-X	42	5.105-266.0	Axle wheel	1.000	ST	0000000000	0000000000	
X-X	43	5.435-004.0	Roller D40	1.000	ST	0000000000	0000000000	
X-X	44	5.004-835.0	Strap	2.000	ST	0000000000	0000000000	
	45	5.105-260.0	Axle	1.000	ST	0000000000	0000000000	

**60 Power brush -BR**

Overview technical documents/Professional/Floor cleaner/Walk behind/BR 530 O.SAUGB. \*EU (1.127-321.0)/Spare parts list BR 530 Netz/60 Power brush -BR

ET/VT (spare/wear parts)	Pos	Material #	Name	Qty.	Unit	from ser.nr.	up to ser.nr.	Footnote text
X-X	47	5.431-005.0	Pipe connection	1.000	ST	0000000000	0000000000	
X-X	48	7.312-282.0	Washer 5 -A2 ISO 7093-1	4.000	ST	0000000000	0000000000	
X-X	50	7.311-068.0	Hexagon nut M 8-A2-70 ISO 4032	3.000	ST	0000000000	0000000000	
	51	7.304-033.0	Hexagonal head screw M 8X100-A4-70 ISO 4	1.000	ST	0000000000	0000000000	
	52	5.060-666.0	Brush housing	1.000	ST	0000000000	0000000000	
Position text: / 1.127-121.0 / -321.0 / -683.0/ -805.0 / -809.0								
	52	5.060-691.0	Brush housing	1.000	ST	0000000000	0000000000	
Position text: / 1.127-221.0 / -421.0 / -807.0								
X-X	53	5.029-386.0	Tube water	2.000	ST	0000000000	0000000000	
X-X	53	5.029-317.0	Tube water	2.000	ST	0000000000	0000000000	
Position text: / 1.127-221.0 / -421.0 / -807.0								
X-X	54	7.312-289.0	Washer 8 -A2 ISO 7093-1	3.000	ST	0000000000	0000000000	
	55	5.048-362.0	Sheet metal component	1.000	ST	0000000000	0000000000	
Position text: / 1.127-221.0 / -421.0 / -807.0								
X-X	55	5.048-187.0	Sheet metal component	1.000	ST	0000000000	0000000000	
Position text: / 1.127-121.0 / -321.0 / -683.0/ -805.0 / -809.0								
	57	6.347-093.0	Sleeve 8x1	1.000	ST	0000000000	0000000000	
X-X	59	7.312-074.0	Washer 10 -CuZn ISO 7092	4.000	ST	0000000000	0000000000	
X-X	61	7.307-356.0	Threaded pin M 8 x 30-A2-21H ISO 4029	2.000	ST	0000035012	0000000000	
X-X	62	6.310-128.0	Wing nut M 8	2.000	ST	0000035012	0000000000	
X-X	63	7.313-018.0	Spring washer B 6-1.4310 DIN 127	10.000	ST	0000000000	0000000000	
X-X	64	7.312-022.0	Serrated lock washer A8,4-1.4310 DIN679	2.000	ST	0000000000	0000000000	