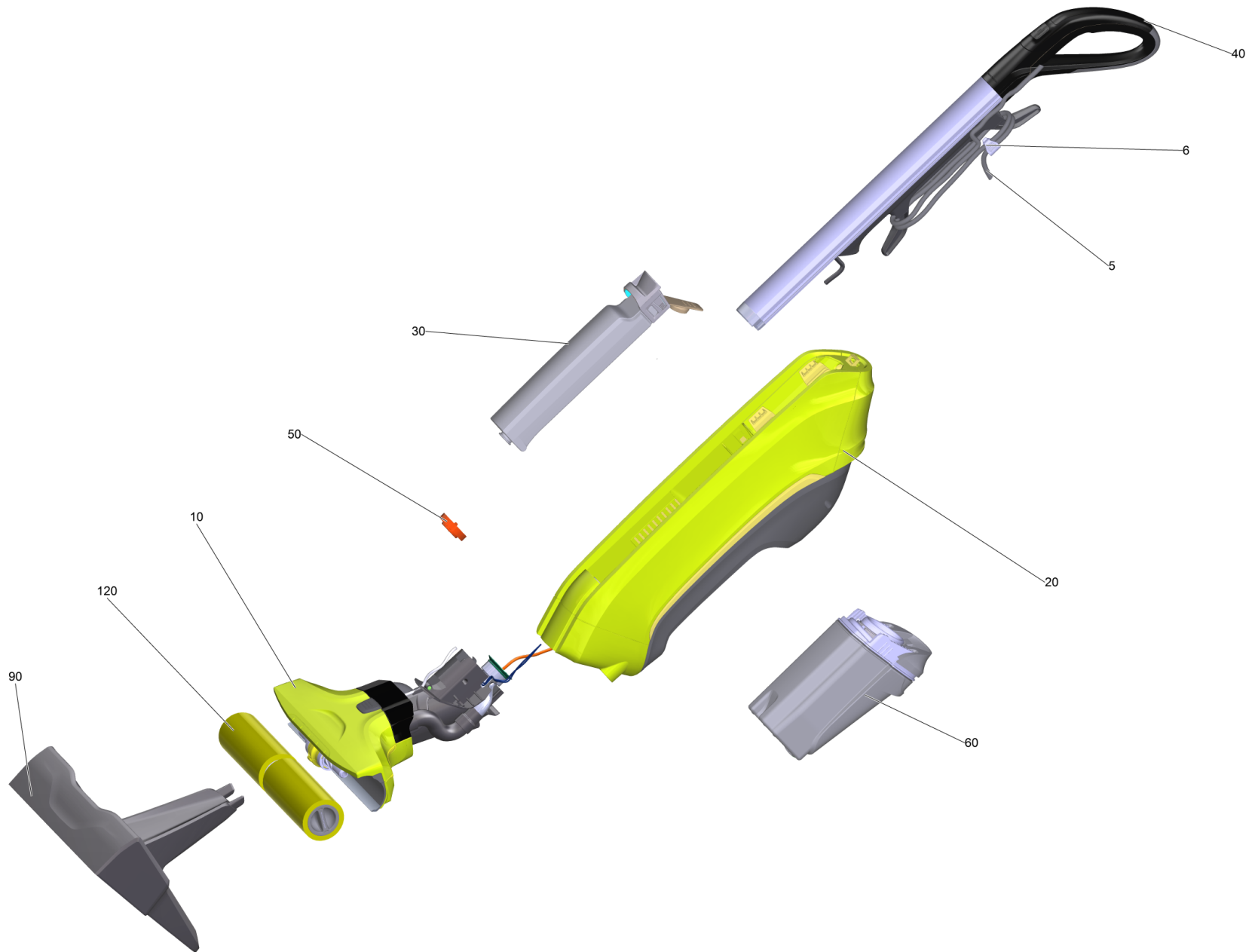


Spare parts list

(1.055-400.0) FC 5 *EU

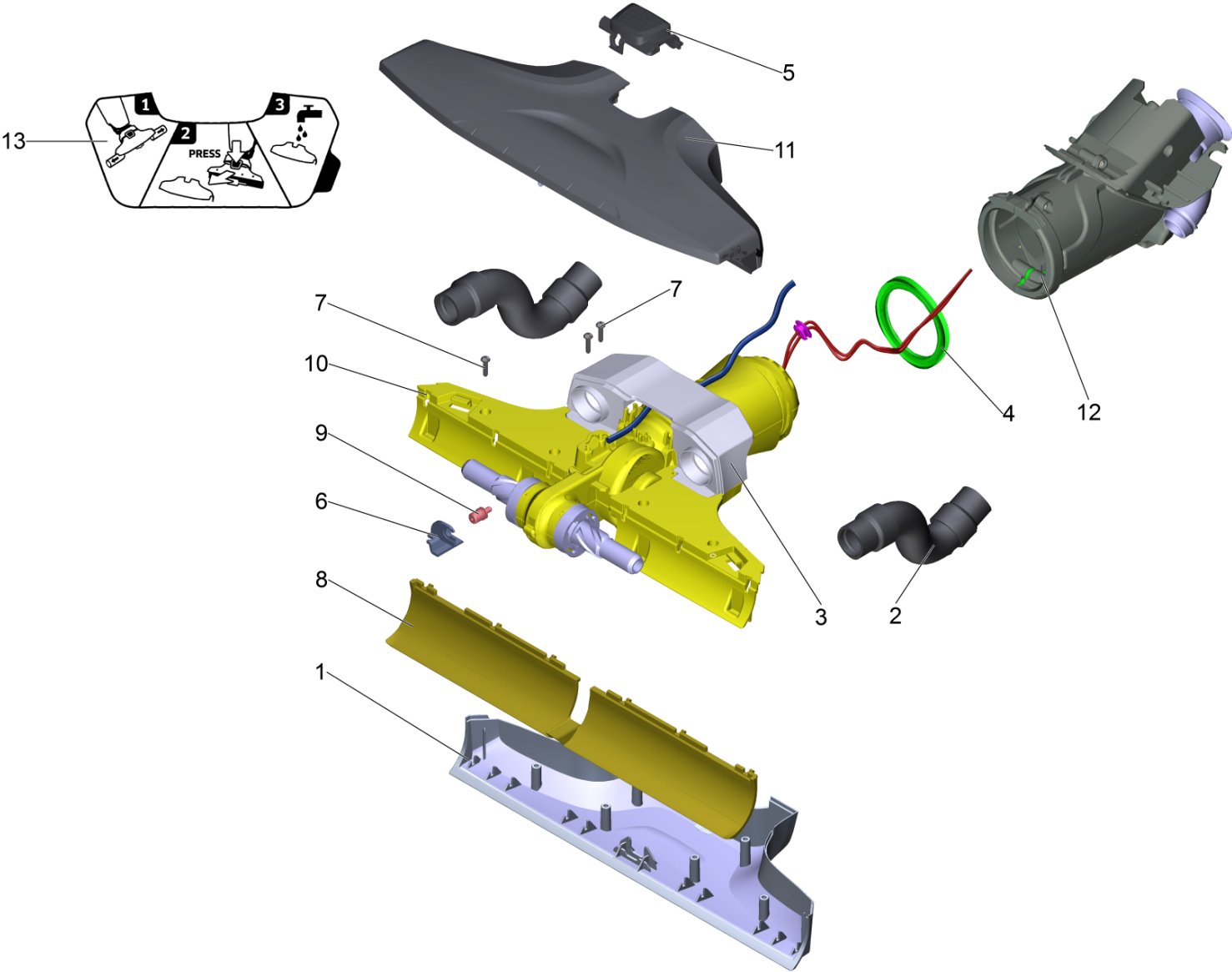
Table of contents

FC 5 *EU (1.055-400.0)	3
10 Power brush complete yellow Hair Absorption	5
10 Housing transmission reduction grau/grey (4.055-213.0)	7
12 Joint housing black for replacement (4.055-049.0)	9
20 Basic unit roll complete	11
10 Components for blower	13
30 Water tank complete	15
40 Hand grip complete yellow	17
13 CABLE SET HANDLE	19
60 Dirt bin complete (4.055-030.0)	21



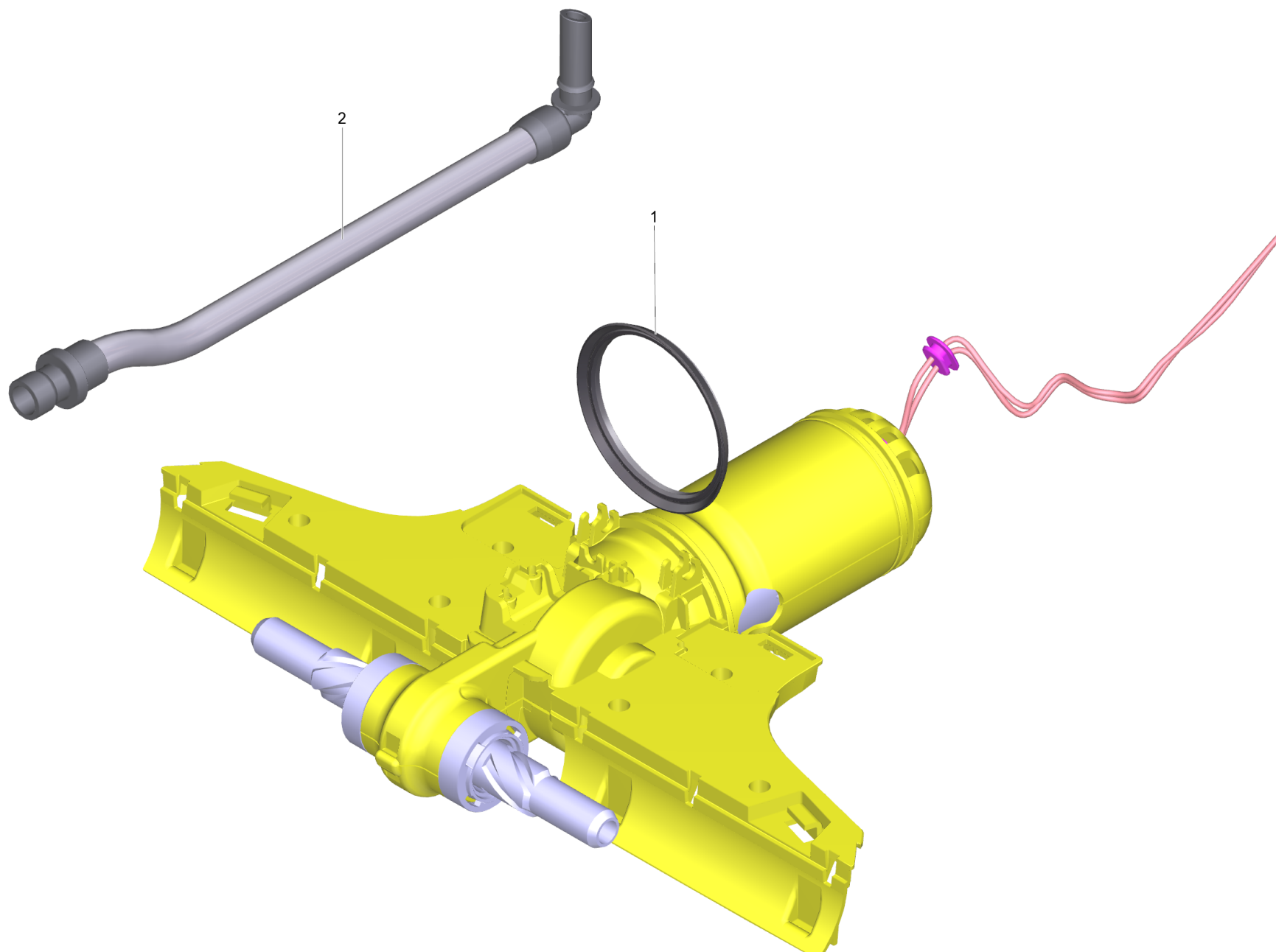
FC 5 *EU (1.055-400.0)

POS	Article no.	Description	Quantity	Unit
5	6.650-511.0	Cable with plug FC 5 *EU	1.000	ST
6	5.032-083.0	Cable clip grey	1.000	ST
10		Power brush complete yellow Hair Absorption	1.000	ST
20		Basic unit roll complete	1.000	ST
30		Water tank complete	1.000	ST
40		Hand grip complete yellow	1.000	ST
50	4.055-110.0	Filter complete for replacement	1.000	ST
60	4.055-030.0	Dirt bin complete	1.000	ST
90	5.055-483.0	Cleaning station	1.000	ST
120	2.055-022.0	Wooden rollers set	1.000	ST
120	2.055-021.0	Stone rollers set two parts	1.000	ST
120	2.055-006.0	Set of rollers yellow set gelb	1.000	ST



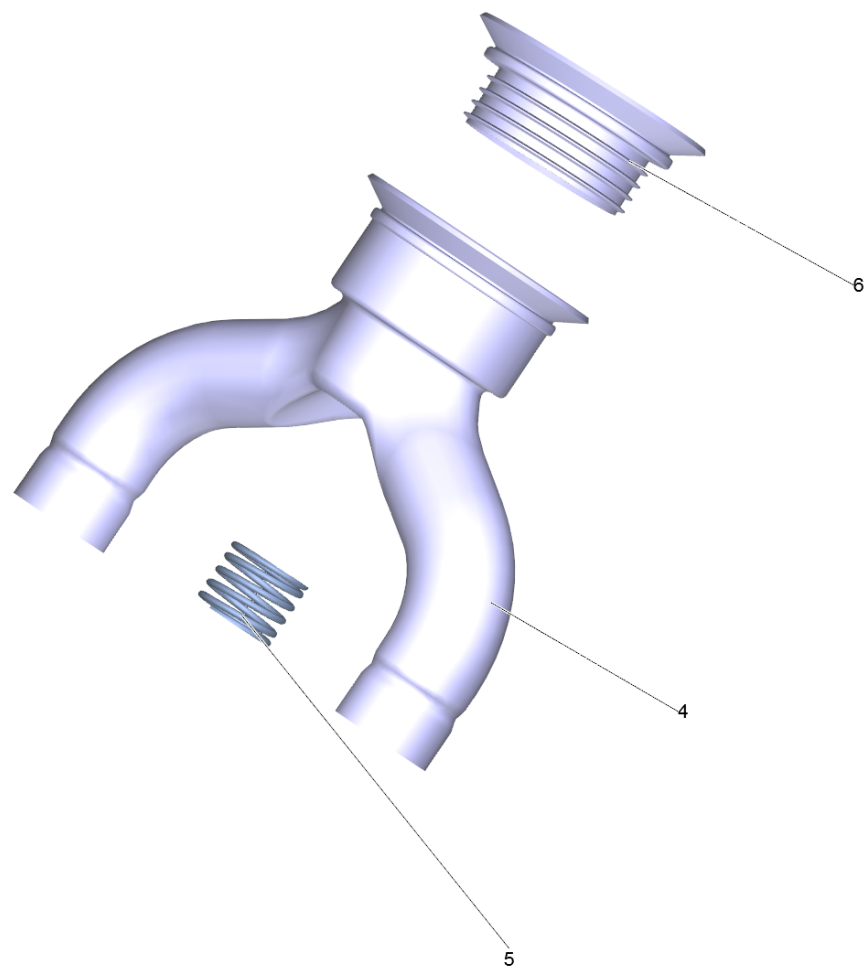
10 Power brush complete yellow Hair Absorption

POS	Article no.	Description	Quantity	Unit
1	5.055-439.0	COVERING CLEANING HEAD	1.000	ST
2	6.901-002.0	Suction hose complete	2.000	ST
3	5.055-425.0	Covering cap hose connection	1.000	ST
4	5.055-430.0	Seal	1.000	ST
5	5.055-458.0	Locking part suction nozzle grey	1.000	ST
6	5.055-432.0	Hose connection	1.000	ST
7	6.303-557.0	Screw 3x12 Kombitorx T8	8.000	ST
8	5.055-410.0	Sweep edge	1.000	ST
9	5.055-506.0	Hose stem	1.000	ST
10	4.055-213.0	Housing transmission reduction grau/grey	1.000	ST
11	2.055-019.0	Accessories vacuum channel yellow FC5	1.000	ST
12	4.055-049.0	Joint housing black for replacement	1.000	ST
13	5.397-816.3	Label vacuum channel packaged FC 5	1.000	ST



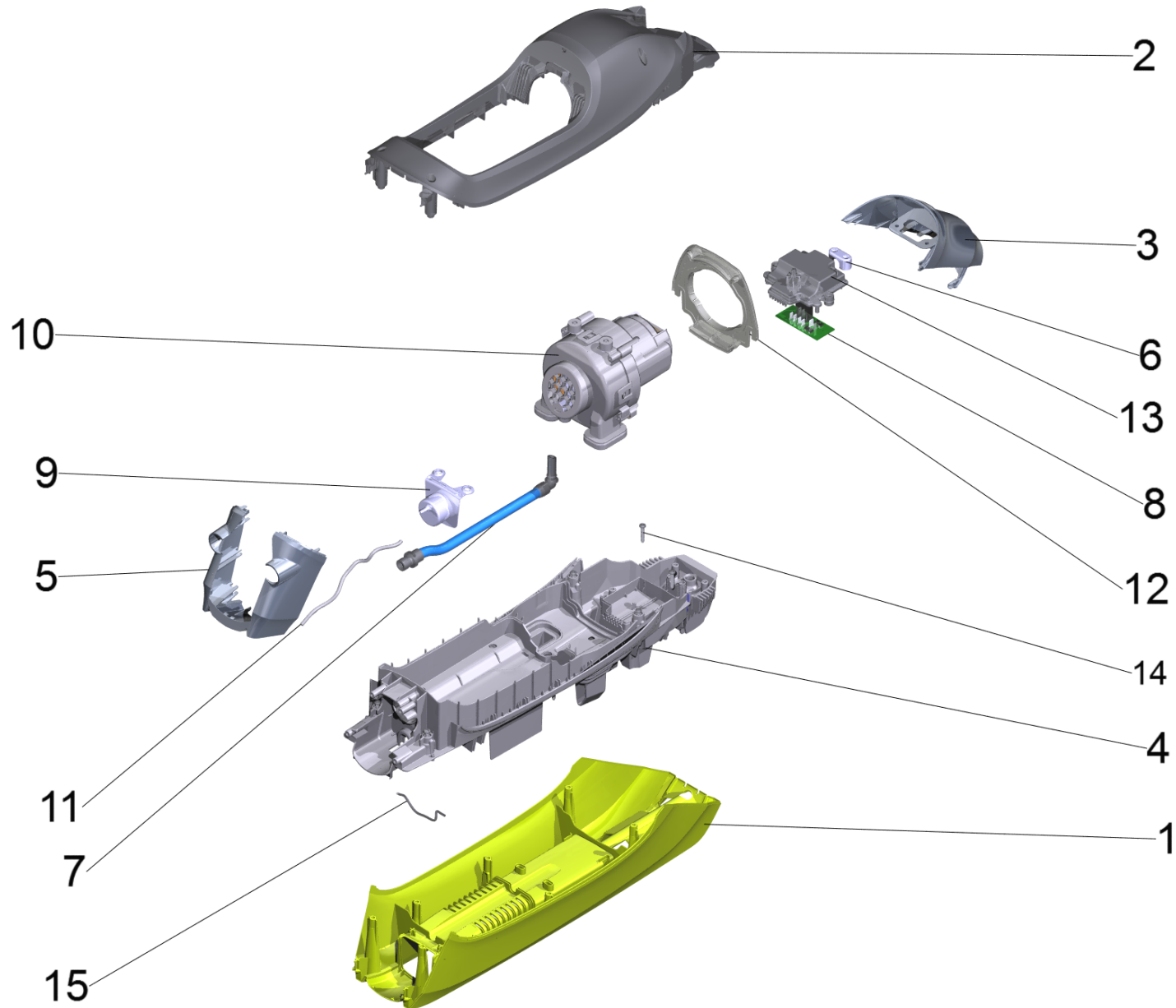
10 Housing transmission reduction grau/grey (4.055-213.0)

POS	Article no.	Description	Quantity	Unit
1	5.055-430.0	Seal	1.000	ST
2	4.055-206.0	Hose by-pass complete Reduzierung	1.000	ST



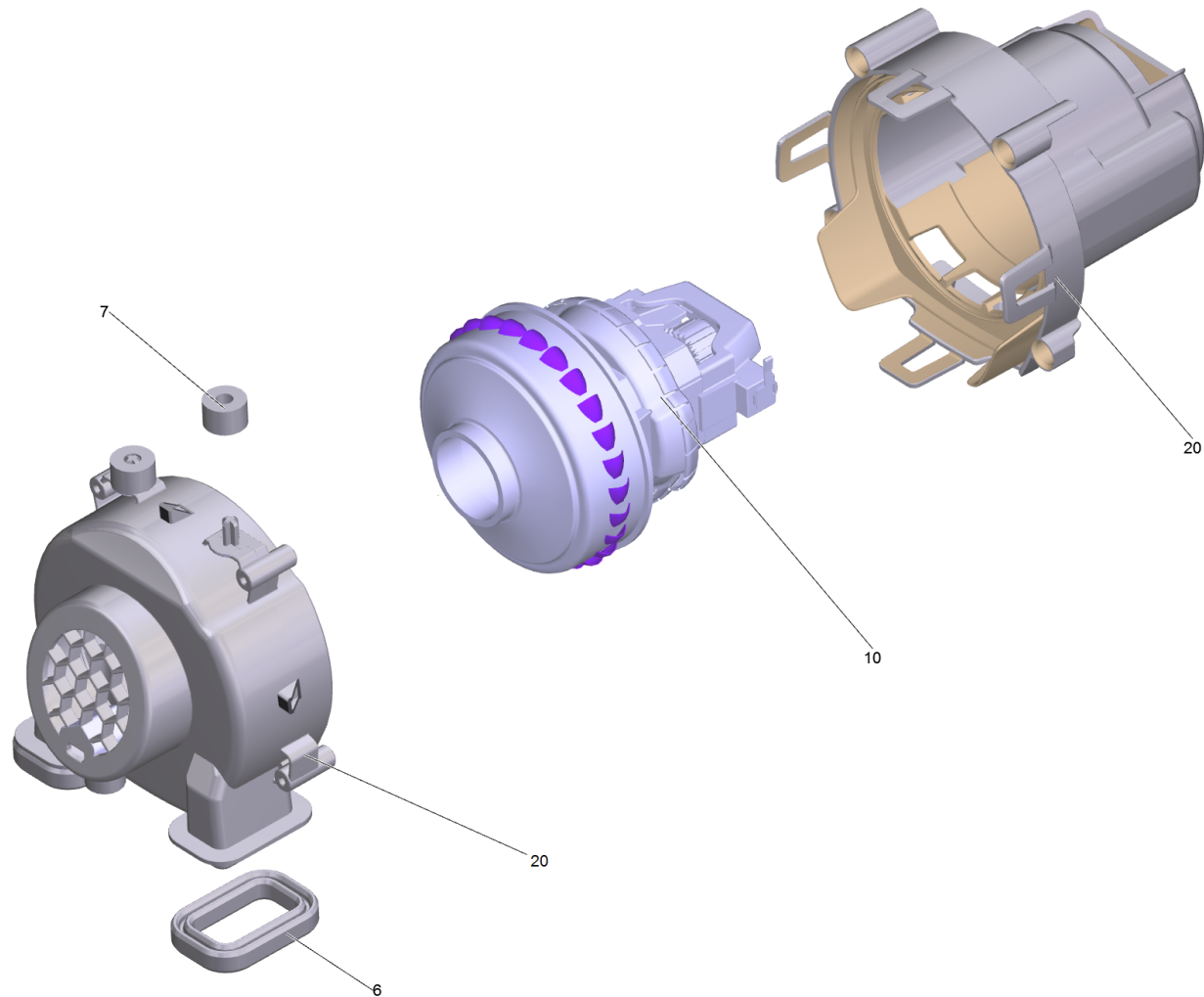
12 Joint housing black for replacement (4.055-049.0)

POS	Article no.	Description	Quantity	Unit
4	5.055-419.0	Connection extraction system	1.000	ST
5	6.330-123.0	Pressure spring	1.000	ST
6	5.055-404.0	Seal intake dirt box	1.000	ST



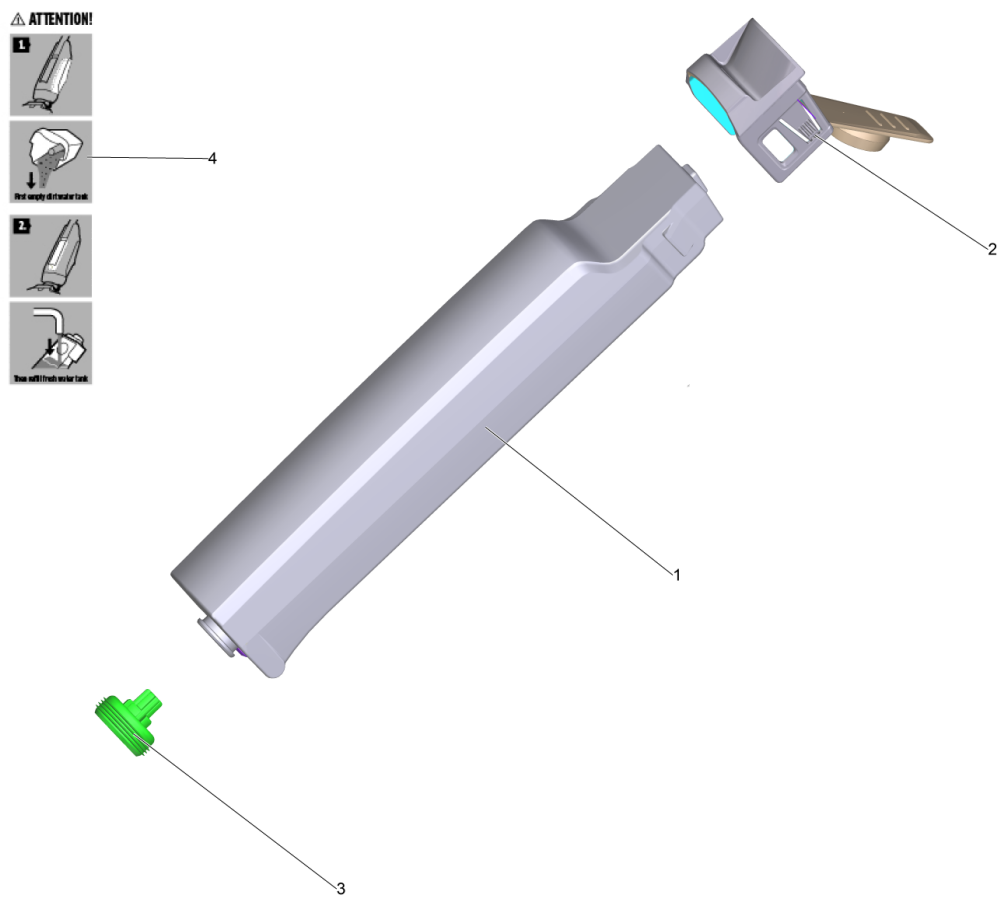
20 Basic unit roll complete

POS	Article no.	Description	Quantity	Unit
1	5.055-029.0	front cover	1.000	ST
2	5.055-030.0	Motor cover	1.000	ST
3	5.055-031.0	top cover	1.000	ST
4	5.055-033.0	Bracket grey	1.000	ST
5	5.055-398.0	Covering cap bottom	1.000	ST
6	5.034-505.0	Retaining bracket cable	1.000	ST
7	4.055-206.0	Hose by-pass complete Reduzierung	1.000	ST
8	4.055-111.0	Electronics complete replacement FC 5	1.000	ST
9	5.055-185.0	Retainer water tank	1.000	ST
10		Components for blower	1.000	ST
11	6.055-429.0	Hose fresh water	1.000	ST
12	5.055-058.0	Bulkhead blower	1.000	ST
13	5.055-452.0	Housing electronics	1.000	ST
14	7.303-096.0	Screw 4x22 -ST-10.9-R2R (IN6RD)	10.000	ST
15	5.055-556.0	Seal bracket	1.000	ST



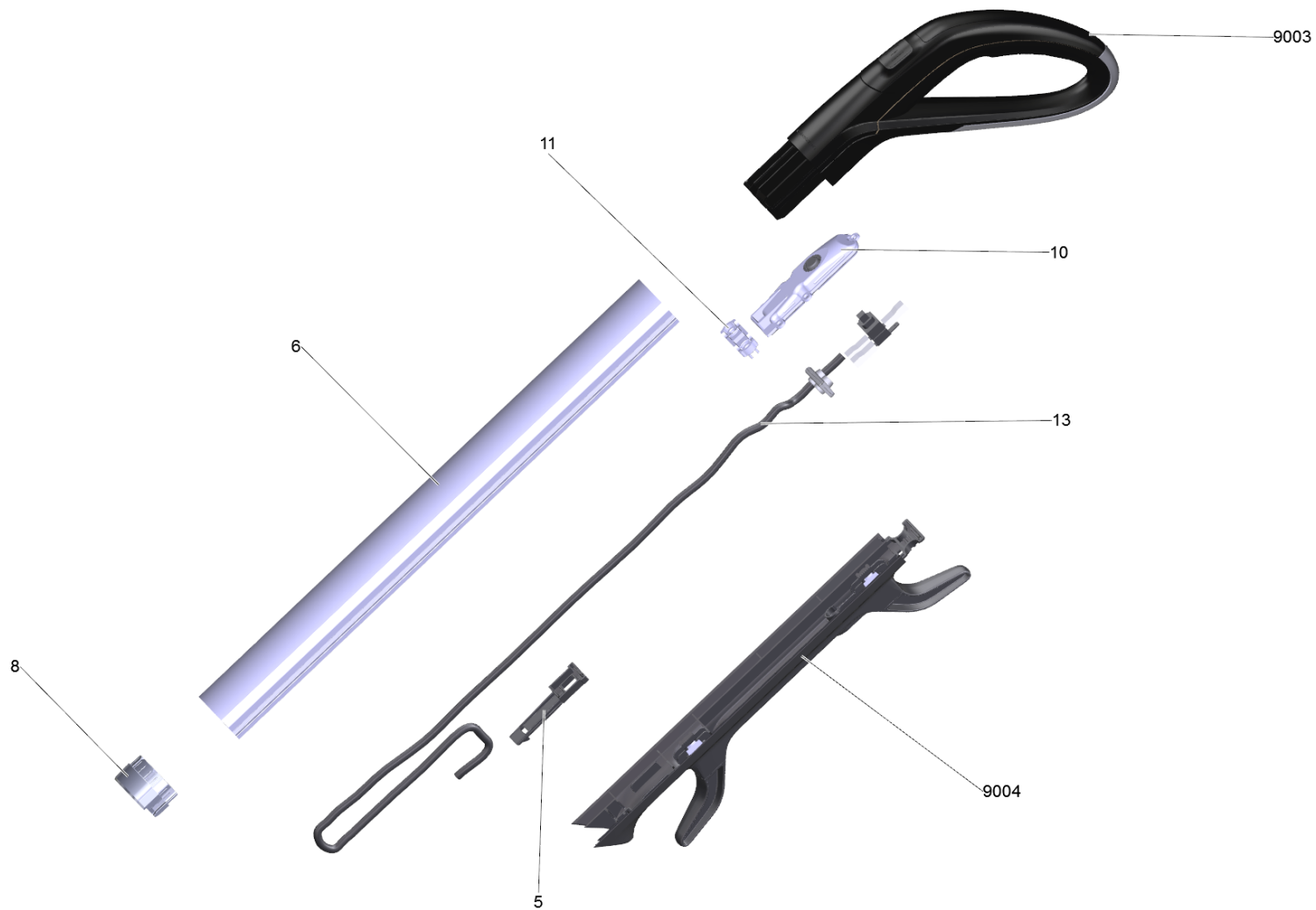
10 Components for blower

POS	Article no.	Description	Quantity	Unit
6	5.055-061.0	Seal Prozessluft	2.000	ST
7	5.055-441.0	Rubber bearing	2.000	ST
10	4.055-034.0	Blower motor for replacement	1.000	ST
20	4.055-123.0	Air circulation set for replacement	1.000	ST



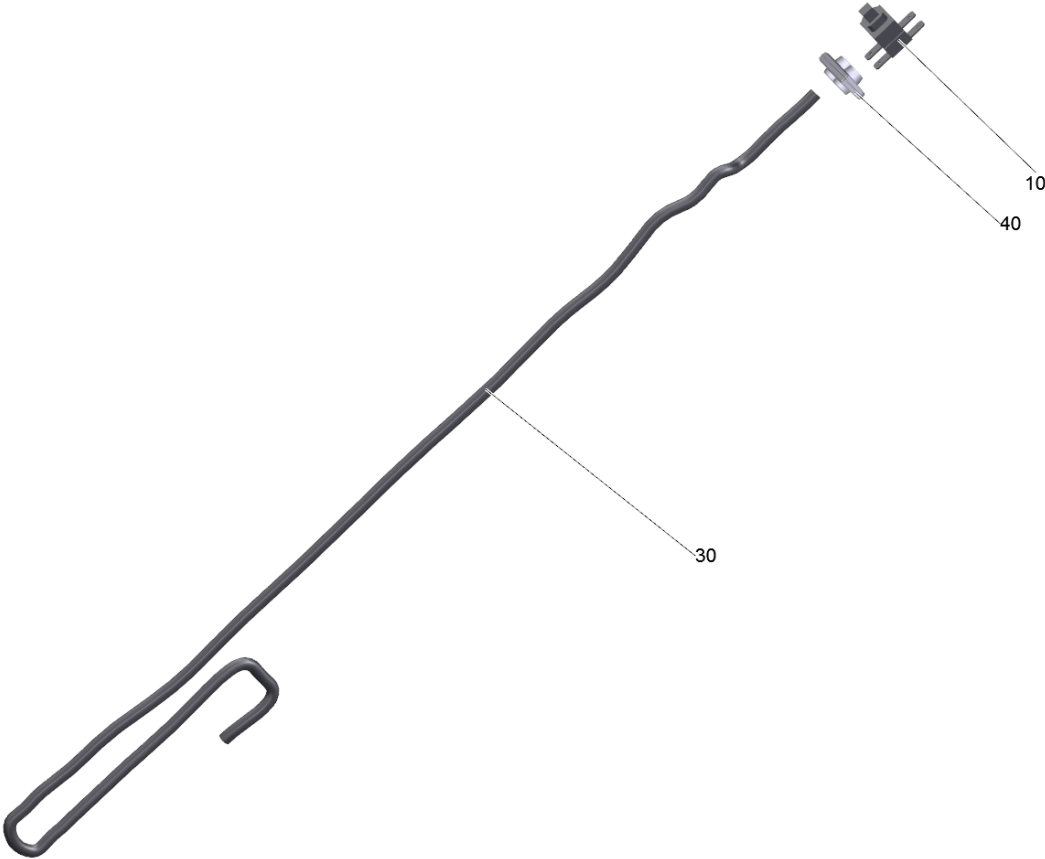
30 Water tank complete

POS	Article no.	Description	Quantity	Unit
1	5.055-048.0	Fresh water tank	1.000	ST
2	5.055-049.0	Fresh water tank cover	1.000	ST
3	4.055-112.0	Valve complete for replacement	1.000	ST
4	5.396-172.3	Label fresh water tank packaged FC 5	1.000	ST



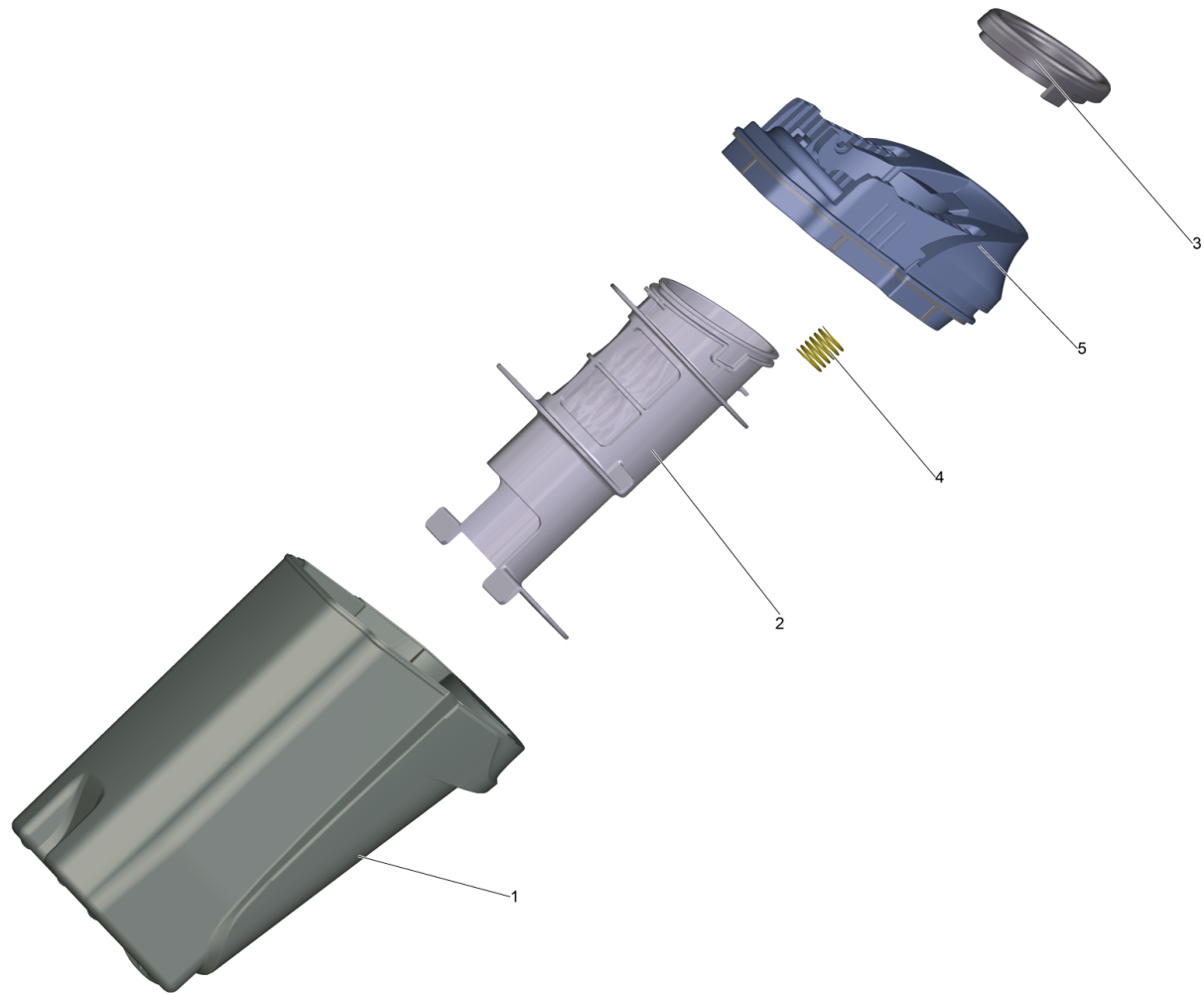
40 Hand grip complete yellow

POS	Article no.	Description	Quantity	Unit
5	5.055-239.0	Snap-fit	1.000	ST
6	5.055-477.0	Profile aluminium printed	1.000	ST
8	5.055-251.0	Cap bottom	1.000	ST
10	5.055-256.0	Cover switch	1.000	ST
11	5.055-207.0	Strain relief	1.000	ST
13		CABLE SET HANDLE	1.000	ST
9003	4.055-048.0	Hand grip black for replacement	1.000	ST
9004	4.055-051.0	Catch for cable set black	1.000	ST



13 CABLE SET HANDLE

POS	Article no.	Description	Quantity	Unit
10	6.630-816.0	Switch	1.000	ST
30	6.650-513.0	Cable hand grip FC 5 *EU	1.000	ST
40	5.055-460.0	Seal cable Handgriff	1.000	ST



60 Dirt bin complete (4.055-030.0)

POS	Article no.	Description	Quantity	Unit
1	5.055-399.0	Dirt box	1.000	ST
2	5.055-400.0	Separator	1.000	ST
3	5.055-046.0	Seal separator	1.000	ST
4	5.332-207.0	Helical spring	1.000	ST
5	4.055-108.0	Dirt box cover set f.E.	1.000	ST