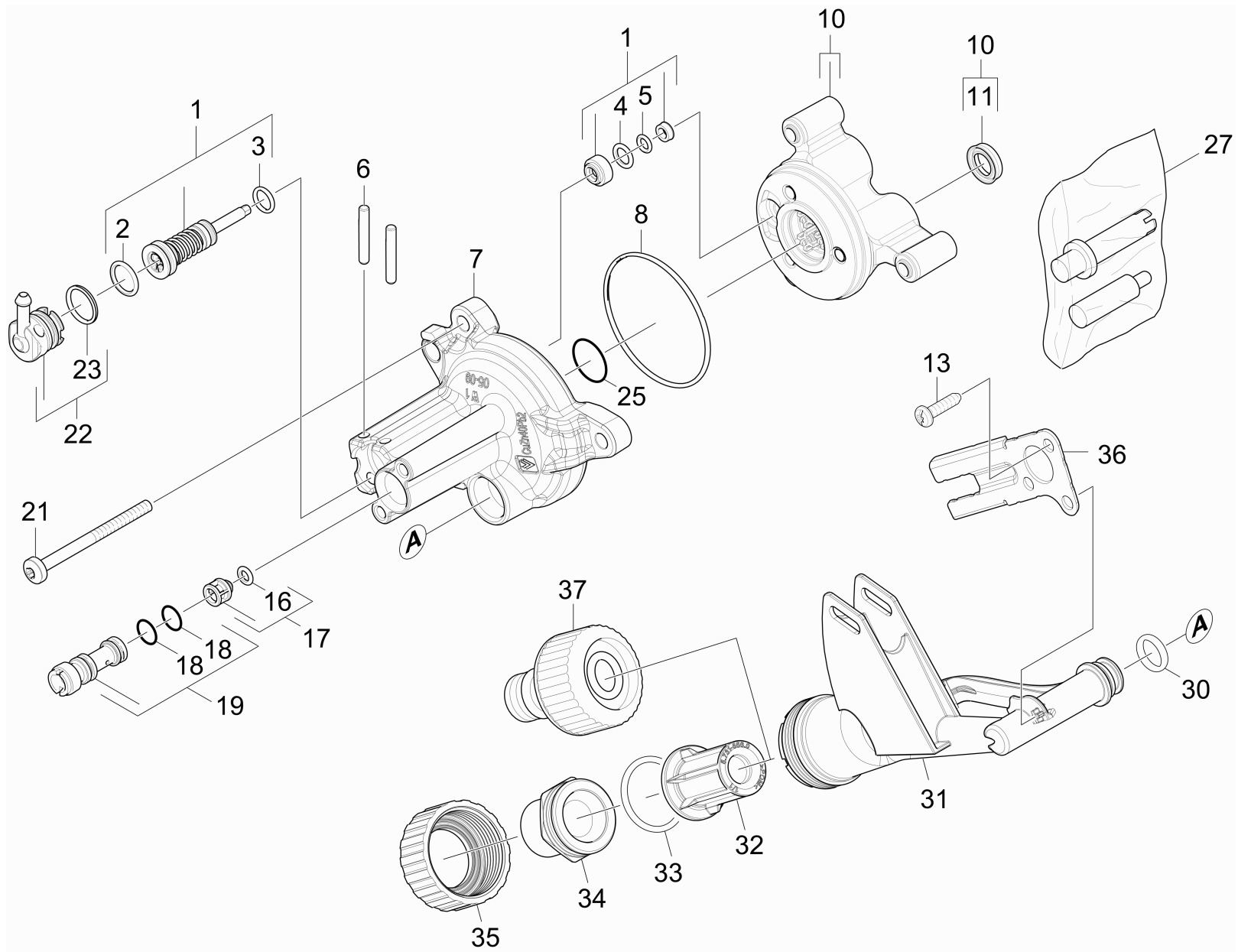


21 Cylinder head

Overview technical documents/Professional/High pressure cleaner cold water/Electric motor/HD 5/12 CX Plus *EU (1.520-121.0)/Spare parts list HD 5/12 CX Plus/20 Pump set/21 Cylinder head



21 Cylinder head

Overview technical documents/Professional/High pressure cleaner cold water/Electric motor/HD 5/12 CX Plus *EU (1.520-121.0)/Spare parts list HD 5/12 CX Plus/20 Pump set/21 Cylinder head

Rez.daļas/nodil.pakļ.daļas	Poz.	Materiāla Nr.	Nosaukums	Daudzums	Pārdoš. vienība
	1	2.885-408.0	Control piston complete replacement	1.000	ST
X-X	2	6.362-381.0	Gredzenblīve 13x2 - NBR 70	1.000	ST
	3	6.362-958.0	Gredzenblīve 9 x 2-NBR 90	1.000	ST
	4	6.362-101.0	Gredzenblīve 8 X 2	1.000	ST
X-X	5	6.362-486.0	Gredzenblīve 4,7 X 1,9 -NBR 70	1.000	ST
X-X	6	5.314-150.0	Tapa	2.000	ST
X-X	7	5.062-390.0	Housing HD-C	1.000	ST
X-X	8	6.362-204.0	Gredzenblīve 60,0 X 2,0-NBR 70	1.000	ST
X-X	10	4.550-942.0	Cylinder head	1.000	ST
X-X	11	6.363-435.0	Gredzens ar gropi 12x17x4,25/2,5	3.000	ST
	13	7.306-092.0	Screw	2.000	ST
X-X	16	6.363-613.0	Gredzenblīve 4 x 2 -NBR90	1.000	ST
X-X	17	4.584-022.0	Valve pin complete	1.000	ST
X-X	18	6.362-384.0	Gredzenblīve 9x1,5 - NBR 70	2.000	ST
X	19	4.769-035.0	Nozzle insert	1.000	ST
X	21	7.306-268.0	Screw M6x70 -8.8-R3R (In6Rd)	3.000	ST
X-X	22	4.580-702.0	Plug complete	1.000	ST
	23	6.362-427.0	Gredzenblīve 15,0x2,0	1.000	ST
X-X	25	6.362-562.0	Gredzenblīve 21,95X 1,78-NBR 90	1.000	ST
	27	2.901-049.0	Set from valve retainer and drive-in man	1.000	ST
X-X	30	6.363-610.0	Gredzenblīve 13 x 3 -NBR	1.000	ST
X-X	31	5.443-672.0	Tube water intake	1.000	ST
X-X	32	5.731-666.0	Filter cartridge with cone	1.000	ST
X-X	33	6.363-437.0	O-Ring seal 30x3	1.000	ST
X-X	34	5.064-423.0	Connection piece water intake	1.000	ST

21 Cylinder head

Overview technical documents/Professional/High pressure cleaner cold water/Electric motor/HD 5/12 CX Plus *EU (1.520-121.0)/Spare parts list HD 5/12 CX Plus/20 Pump set/21 Cylinder head

Rez.daļas/nodil.pakļ.daļas	Poz.	Materiāla Nr.	Nosaukums	Daudzums	Pārdoš. vienība
X-X	35	5.064-465.0	Nut water intake	1.000	ST
X	36	5.095-519.0	Positioning water intake	1.000	ST
X	37	6.645-214.0	Tap adaptor G3/4 kpl.	1.000	ST
Pozīcijas teksts: 1.520-133.0					
X-X	100	2.885-377.0	Pump set HDC	1.000	ST