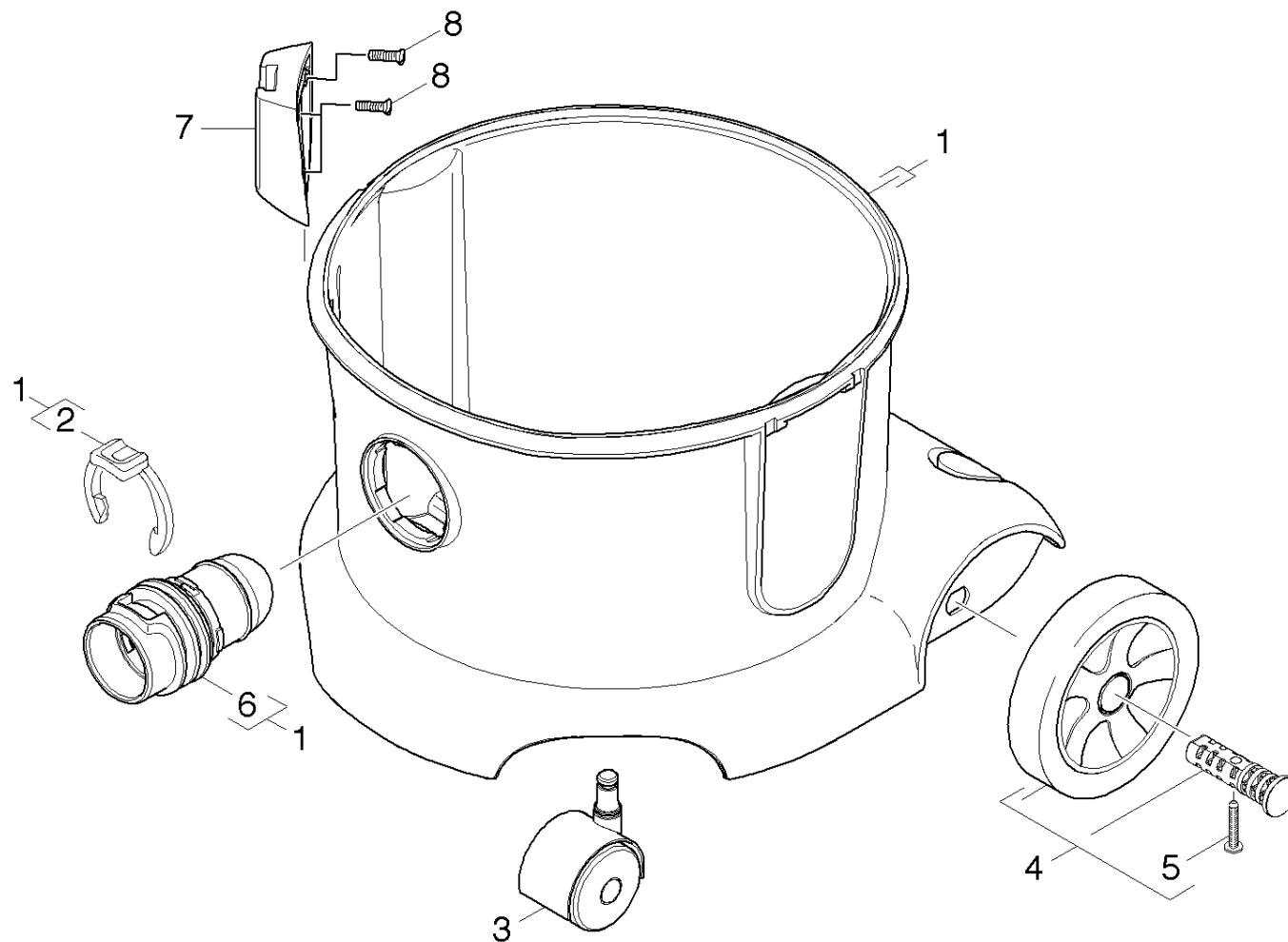


### 30 Tank

Overview technical documents/Professional/Vacuum cleaner/Dry vacuum cleaner/T 10/1 Adv (1.527-154.0)/Spare parts list T 10/1 ADV \*EU/30 Tank



### 30 Tank

Overview technical documents/Professional/Vacuum cleaner/Dry vacuum cleaner/T 10/1 Adv (1.527-154.0)/Spare parts list T 10/1 ADV \*EU/30 Tank

Rez.daļas/nodil.pakļ.daļas	Poz.	Materiāla Nr.	Nosaukums	Daudzums	Pārdoš. vienība	no sēr. Nr..	līdz sēr. Nr.
X-X	1	4.070-800.0	Tank	1.000	ST	0000000000	0000000000
X	2	5.343-022.0	Bloķētājgredzens	1.000	ST	0000000000	0000000000
	3	6.903-258.0	Dubultais grozāmais ritenītis	2.000	ST	0000000000	0000000000
X	4	4.515-257.0	wheel complete	1.000	ST	0000000000	0000000000
X-X	5	7.303-086.0	Skrūve 5x30 -10.9-R2R (K-In6Rd)	2.000	ST	0000000000	0000000000
X	6	5.032-567.0	suction connection	1.000	ST	0000000000	0000000000
	7	5.032-915.0	Moulded part retainer accessories	1.000	ST	0000000000	0000000000
X	8	7.303-129.0	Skrūve 4x16 -10.9-R2R (K-In6Rd)	3.000	ST	0000000000	0000000000