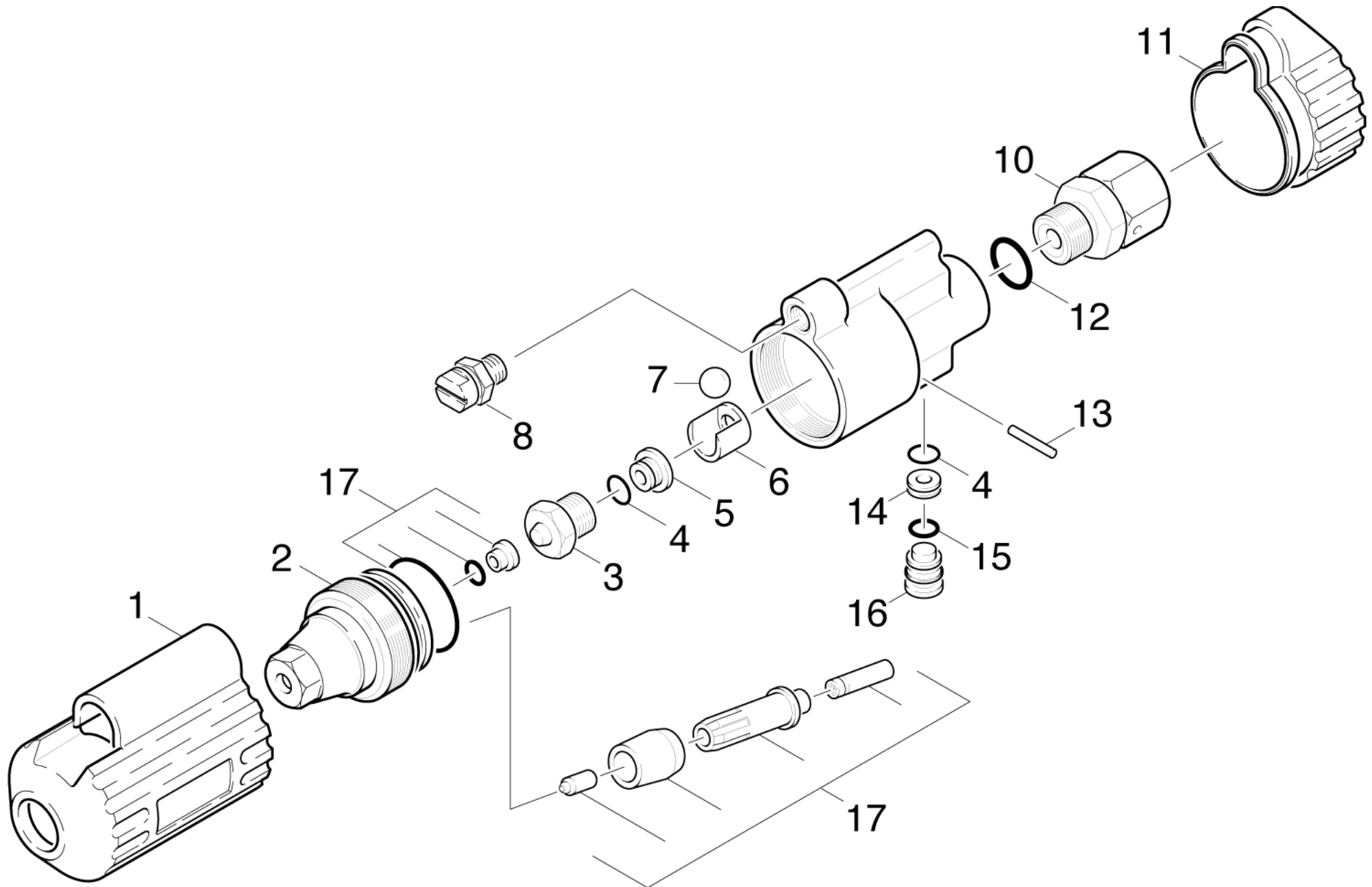


10 Dirt blaster

Professional \ High pressure cleaner cold water \ Accessories \ Dirt blaster 04 \ Spare parts list dirt blaster switchable \ Dirt blaster



10 Dirt blaster

Professional \ High pressure cleaner cold water \ Accessories \ Dirt blaster 04 \ Spare parts list dirt blaster switchable \ Dirt blaster

KÄRCHER

POS	Article no.	Description	Quantity	Unit	Remark
2	5.063-737.0	Cover	1.000	ST	
8	6.415-506.0	Flat jet nozzle -2508	1.000	ST	2508
8	6.415-503.0	Flat jet nozzle -25045	1.000	ST	25045
8	6.415-505.0	Flat jet nozzle -25055	1.000	ST	25055
8	6.415-504.0	Flat jet nozzle 2505	1.000	ST	2505
8	6.415-477.0	Flat jet nozzle 4030	1.000	ST	
4	6.362-451.0	O-Ring seal 8,0 x 1,0	2.000	ST	
15	6.362-384.0	O-Ring seal 9x1,5 - NBR 70	1.000	ST	
12	6.362-153.0	O-Ring seal 15,3 X 2,4-NBR 70	1.000	ST	
16	5.132-055.0	Plug	1.000	ST	
1	5.394-217.0	Protection part	1.000	ST	
11	5.394-446.0	Protection part	1.000	ST	
3	5.402-590.0	Screw union	1.000	ST	
3	5.402-587.0	Screw union	1.000	ST	
10	4.402-038.0	Screw union	1.000	ST	
3	5.402-589.0	Screw union	1.000	ST	
3	5.402-588.0	Screw union	1.000	ST	
6	5.110-360.0	Sleeve	1.000	ST	
17	2.883-812.0	Spare part set dirt blaster 05	1.000	ST	
17	2.883-810.0	Spare part set dirt blaster 055/06	1.000	ST	
17	2.883-813.0	Spare part set dirt blaster 07/08	1.000	ST	
17	2.883-811.0	Spare part set dirt blaster switchable 0	1.000	ST	
7	7.401-917.0	Sphere 10,0 G100-1.4301 DIN 5401	1.000	ST	
13	7.314-654.0	Straight grooved pin 3x20 -A1 ISO8740	1.000	ST	
5	5.581-217.0	Valve seat	1.000	ST	
14	5.581-118.0	Valve seat	1.000	ST	