

Spare parts list

(1.514-124.0) HD 5/15 C Plus *EU

Table of contents

HD 5/15 C Plus *EU (1.514-124.0)	4
Spare parts list HD 5/12 C_6/13 C (5.970-209.0)	5
10 Housing	6
20 PUMP SET	8
21 Cylinder head	9
4 Valve (3 Stück) (2.884-916.0)	12
11 Drain plug only for replacement (4.132-007.0)	14
20 Valve pin complete (4.584-022.0)	16
21 Nozzle insert only for replacement (4.769-034.0)	18
21 Nozzle insert (4.769-035.0)	20
24 Overflow valve (4.591-038.0)	22
31 Spindle complete (4.291-014.0)	23
47 Screw connector part (4.401-074.0)	25
100 PUMP SET HD 5/12 C (2.883-997.0)	27
10 Drain plug only for replacement (4.132-007.0)	29
20 Valve (3 Stück) (2.884-916.0)	31
22 Thrust guidance	33
30 Motor	35
Motor complete only for replacement (4.624-095.0)	38
12 Motor complete	40
40 Accessories	42
41 Hand trigger gun	43
1 HAND TRIGGER GUN EASY PRESS (4.775-463.0)	45
9002 Lever complete (4.481-209.0)	47
4 Lever complete (4.481-209.0)	49
42 Hand trigger gun	51
Hand trigger gun (4.775-492.0)	53
5 Lever complete (4.481-209.0)	55
17 Hose assembly standard DN6 25MPa 10m (6.391-238.0)	57
43 Hand trigger gun	59
5 Lever complete (4.481-209.0)	61
14 Hose assembly standard DN6 25MPa 10m (6.391-238.0)	63
14 Hose assembly standard DN6 25MPa 15m (6.391-394.0)	65
44 Jet pipe	67
45 Jet pipe	69
1 Jet pipe packaged only for replacement (4.760-663.0)	71
46 Nozzle	73
47 Nozzle	75

Table of contents

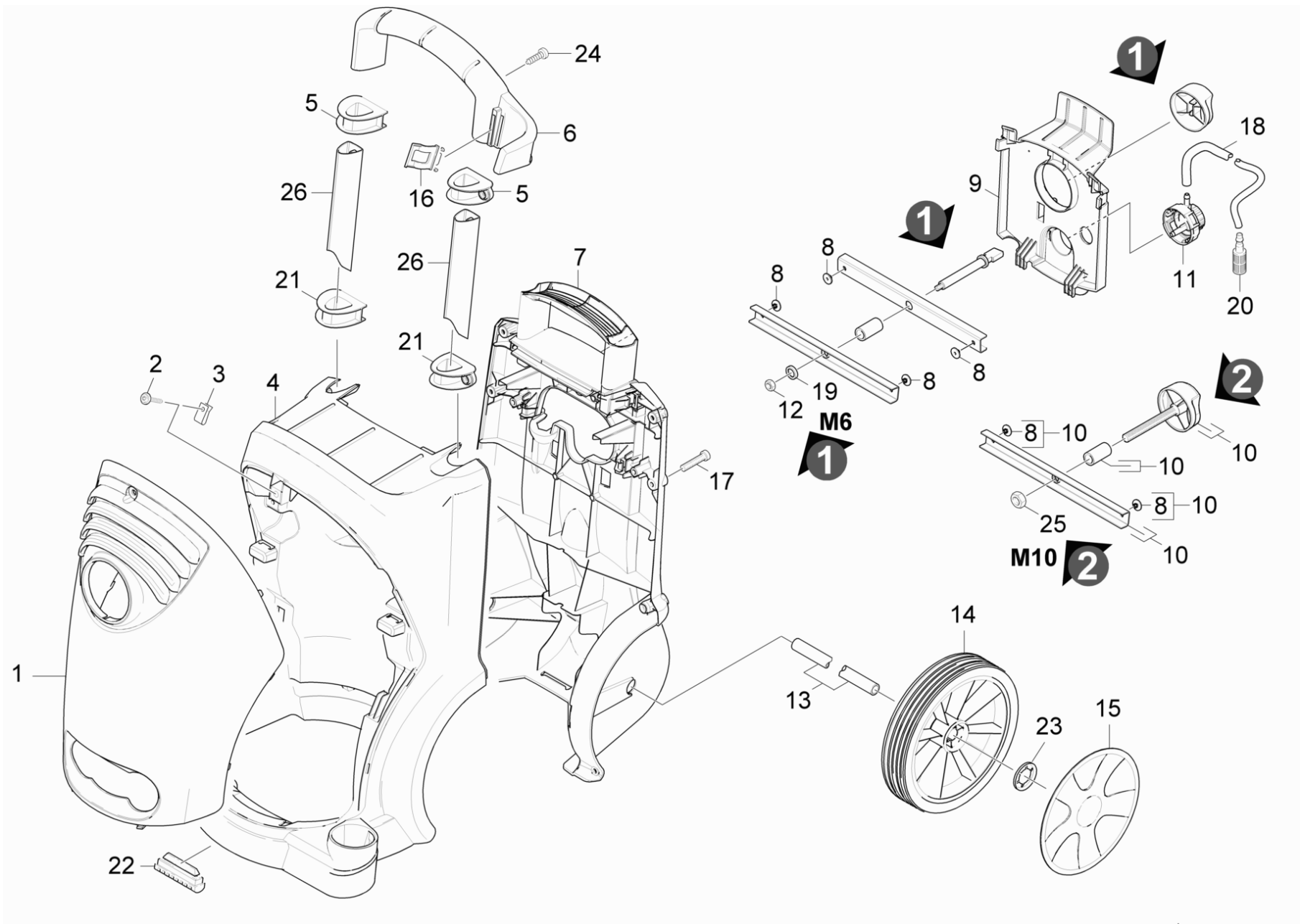
Triple jet nozzle replacement 031 (4.767-145.0)	77
2 Spare parts list triple jet nozzle (5.970-837.0)	78
10 Triple jet nozzle plastics	79
20 Triple jet nozzle brass	81
Triple jet nozzle replacement 033 (4.767-146.0)	83
2 Spare parts list triple jet nozzle (5.970-837.0)	84
10 Triple jet nozzle plastics	85
20 Triple jet nozzle brass	87
Triple jet nozzle replacement 036 (4.767-148.0)	89
2 Spare parts list triple jet nozzle (5.970-837.0)	90
10 Triple jet nozzle plastics	91
20 Triple jet nozzle brass	93
Triple jet nozzle replacement 038 (4.767-149.0)	95
2 Spare parts list triple jet nozzle (5.970-837.0)	96
10 Triple jet nozzle plastics	97
20 Triple jet nozzle brass	99
50 Electric box	101

HD 5/15 C Plus *EU (1.514-124.0)

POS	Article no.	Description	Quantity	Unit
0	5.970-209.0	Spare parts list HD 5/12 C_6/13 C	1.000	ST
Item text2: 3F0D334724350069E1000000C34F56CF15142010				

Spare parts list HD 5/12 C_6/13 C (5.970-209.0)

POS	Description	Quantity	Unit
40	Accessories	1.000	ST
50	Electric box	1.000	ST
10	Housing	1.000	ST
30	Motor	1.000	ST
20	PUMP SET	1.000	ST

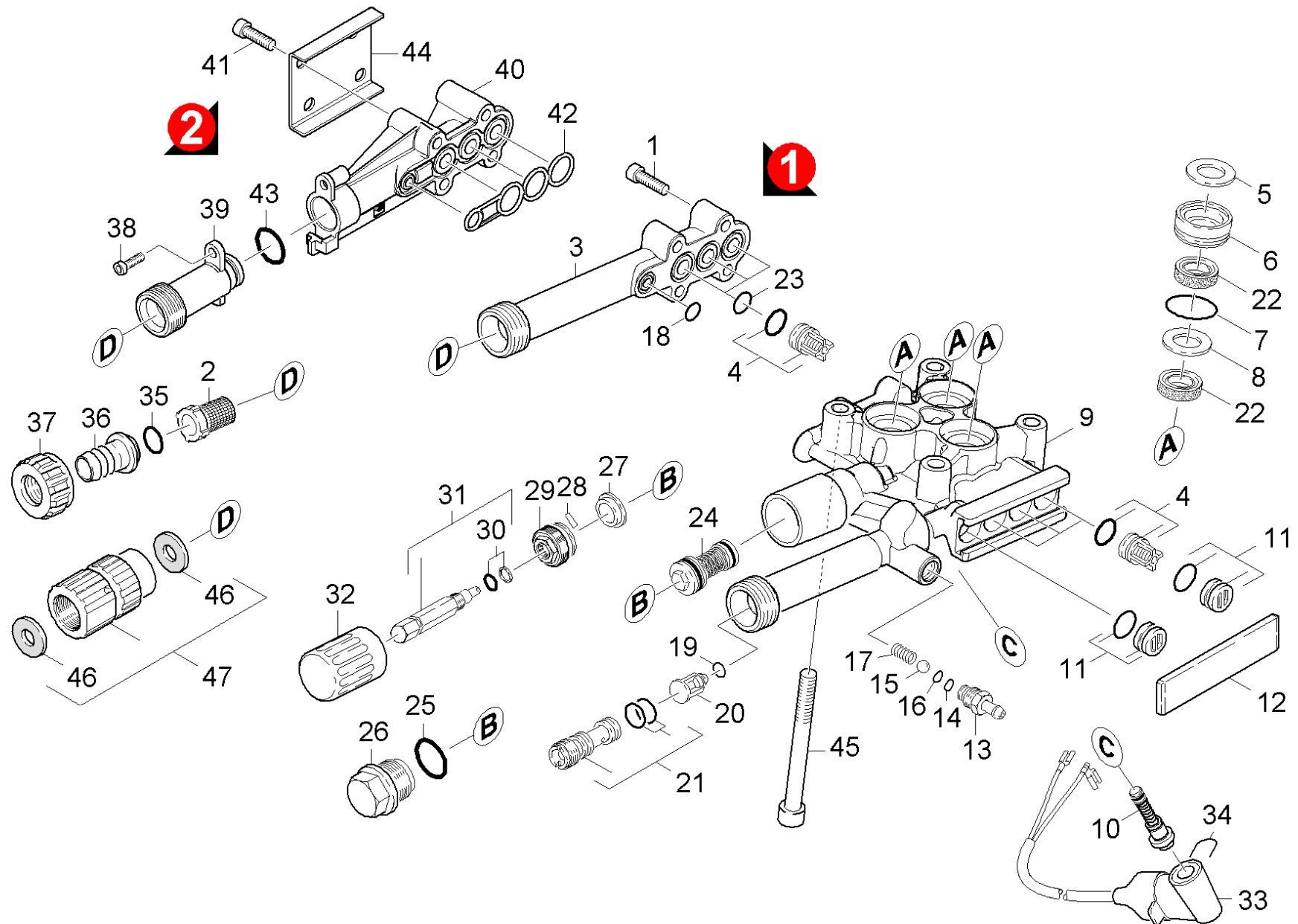


10 Housing

POS	Article no.	Description	Quantity	Unit	Remark	Foot note text
13	5.105-399.0	Axle	1.000	ST		
26	5.107-248.0	Bar shearing shackle	2.000	ST		
9	5.032-556.0	Covering cap	1.000	ST	HD 5/12;HD 5/15;HD 6/13;HD 1.8/13	
9	5.032-648.0	Covering cap	1.000	ST	HD 5/14;HD 5/15	
1	5.069-236.0	Device cover	1.000	ST		
Item text1: 1.514-252.0						
1	5.069-089.0	Device cover	1.000	ST		
20	5.731-652.0	Filter with weight	1.000	ST		
4	5.050-206.3	Frame front part	1.000	ST		
7	5.050-207.0	Frame rear panel	1.000	ST		
21	5.032-555.0	Guide	2.000	ST		
5	5.032-554.0	Guide	2.000	ST		
6	5.321-721.0	Hand grip	1.000	ST		
12	7.311-061.0	Hexagon nut M6-LH -8-A2E ISO 4032	1.000	ST	(M6)	
25	7.311-088.0	Hexagon nut M10-8-A2K EN 1664	1.000	ST	(M10)	
16	5.044-216.0	Holder	1.000	ST		
18	6.388-216.0	Hose DN 5	1.000	M		TO ORDER AS CUT GOODS
23	6.343-168.0	Lock washer	2.000	ST		
11	4.063-778.0	Proportioning valve chemistry	1.000	ST		
3	6.310-053.0	Putting nut	1.000	ST		
8	6.315-086.0	Rivet	4.000	ST		
2	6.304-099.0	Saucer-head screw M 6x 18-4.8-R2R	1.000	ST		
17	7.303-108.0	Screw 5x20 -10.9-R2R (In6Rd)	10.000	ST		
24	7.303-046.0	Screw M6x12 -St-R3R (In6Rd)	2.000	ST		
10	2.885-007.0	Spare part set Griff	1.000	ST		
15	4.515-103.0	Spare parts set wheel cap	1.000	ST		SET OF 2 PIECES
22	5.057-062.0	Support	2.000	ST		
19	7.312-260.0	Washer 6 -100HV-A3E ISO 7094	1.000	ST		
15	6.435-725.0	Wheel cap black	2.000	ST		
Item text1: 1.514-252.0						
14	6.435-662.0	Wheel D200	2.000	ST		

20 PUMP SET

POS	Description	Quantity	Unit
21	Cylinder head	1.000	ST
22	Thrust guidance	1.000	ST

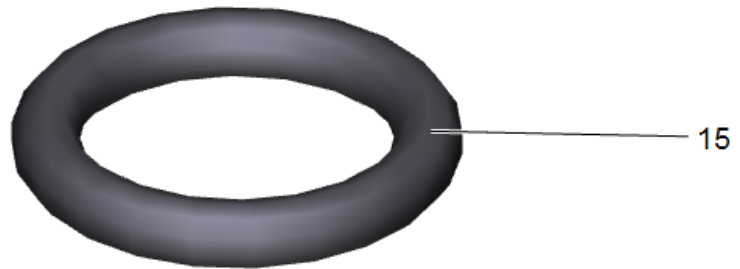
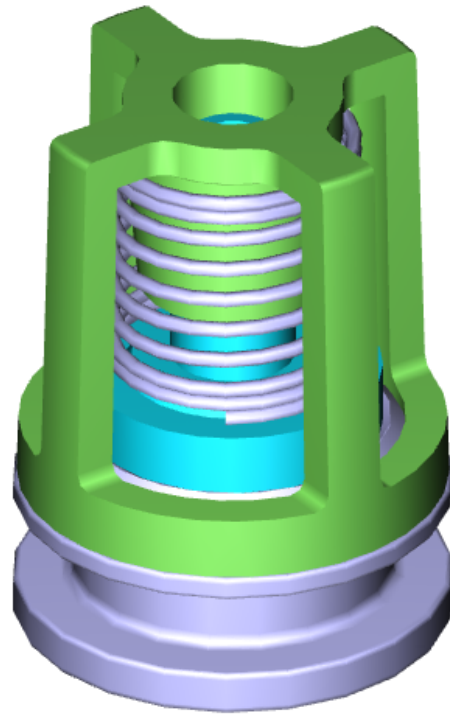


21 Cylinder head

POS	Article no.	Description	Quantity	Unit	Remark	Foot note text
6	5.112-726.0	Bush	3.000	ST		
9	5.550-302.3	Cylinder head	1.000	ST		
45	7.306-106.0	Cylinder head screw M8x70 -8.8-A2E ISO4	4.000	ST		
11	4.132-007.0	Drain plug only for replacement	4.000	ST		
46	5.364-129.0	Flat gasket	2.000	ST		
28	7.314-629.0	Grooved pin 2x10 -A1 ISO 8742	1.000	ST	HD 5/14 C /HD 5/15 C /HD 6/13 C	
22	6.365-477.0	Grooved ring 12x20x5,3/2,8	6.000	ST		
32	5.321-307.0	Handhold	1.000	ST	HD 5/14 C /HD 5/15 /HD 6/13 C	
17	5.332-258.0	Helical spring	1.000	ST		
36	5.443-229.0	Hose stem	1.000	ST		
13	5.443-624.0	Nipple	1.000	ST		
21	4.769-035.0	Nozzle insert	1.000	ST		
	Item text1: 1.514-201.0 /-203.0 /-251.0 /-252.0 /					
21	4.769-034.0	Nozzle insert only for replacement	1.000	ST		
	Item text1: 1.514-101.0 /-103.0 /-104.0 /-105.0 / -106.0 /-109.0 /-110.0 /-111.0 /-112.0 /-113.0 /-123.0 /-124.0 / -127.0 /-151.0 /-204.0 /-205.0 /-206.0 /-207.0 /-255.0 /-503.0 /-507.0 /-508.0					
37	5.310-065.0	Nut	1.000	ST		
19	6.363-613.0	O-Ring seal 4 x 2 -NBR90	1.000	ST		
16	6.363-597.0	O-Ring seal 5,28 x 1,78	1.000	ST		
14	6.362-113.0	O-Ring seal 6,0 x 2,0 NBR 70	1.000	ST		
18	6.362-384.0	O-Ring seal 9x1,5 - NBR 70	1.000	ST		
35	6.362-078.0	O-Ring seal 13,3x2,4	1.000	ST		
23	6.362-533.0	O-Ring seal 14,0 X 1,5-NBR 70	3.000	ST		
43	6.362-481.0	O-Ring seal 14,0 x 2,0 NBR 80	1.000	ST		
25	6.362-989.0	O-Ring seal 18x2 - NBR 80	1.000	ST	HD 5/12 C / HD 1.8/13 C Ed	
7	6.362-376.0	O-Ring seal 24,0 X 1,5	3.000	ST		
30	6.362-468.0	O-Ring seal complete 1ST.-R.	1.000	ST	HD 5/14 C /HD 5/15 C /HD 6/13 C	
24	4.591-038.0	Overflow valve	1.000	ST		
12	5.003-062.0	Plate	1.000	ST		
44	5.005-314.0	Plate suction cover	1.000	ST		
42	5.365-284.0	Profile gasket	1.000	ST		
100	2.883-997.0	PUMP SET HD 5/12 C	1.000	ST		
34	5.034-494.0	Retaining bracket	1.000	ST		

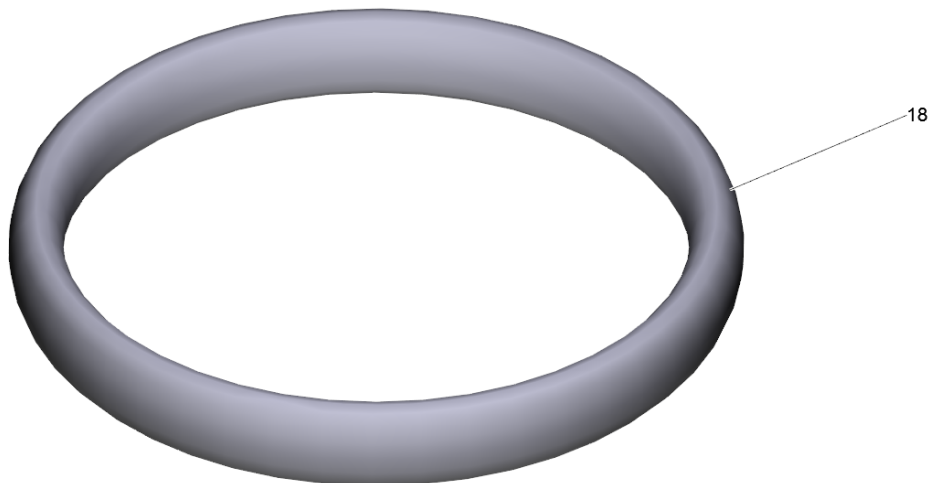
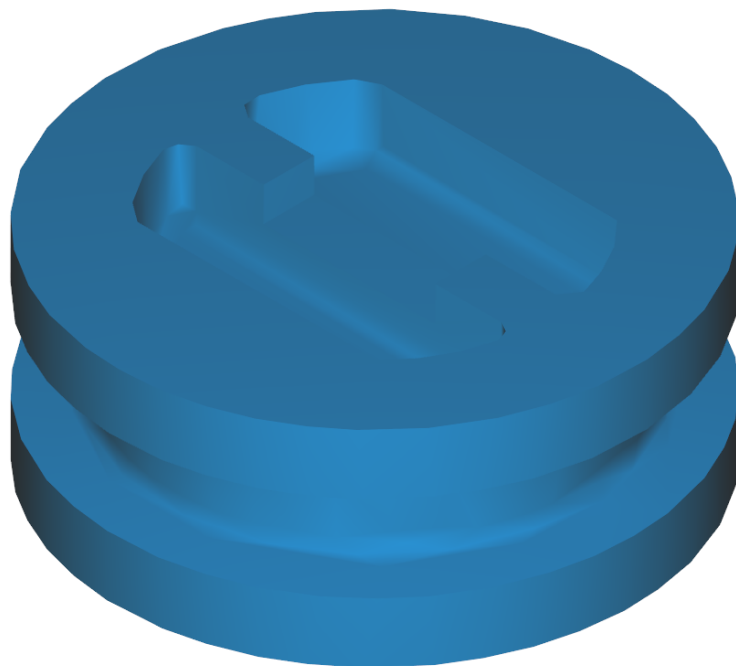
21 Cylinder head

POS	Article no.	Description	Quantity	Unit	Remark	Foot note text
38	7.303-108.0	Screw 5x20 -10.9-R2R (In6Rd)	1.000	ST		
47	4.401-074.0	Screw connector part	1.000	ST		
	Item text1: 1.514-106.0 /-111.0					
1	7.306-105.0	Screw M6x30 -8.8-R3R (In6Rd)	4.000	ST		
41	7.306-129.0	Screw M6x40 -8.8-R3R (In6Rd)	4.000	ST		
26	5.411-172.0	Screw plug	1.000	ST	HD 5/12 C / HD 1.8/13 C Ed	
27	5.110-630.0	Sleeve	1.000	ST	HD 5/14 C /HD 5/15 C /HD 6/13 C	
10	2.884-501.0	Spare part set control piston	1.000	ST		
15	7.401-908.0	Sphere 7 G300 -1.4301 DIN 5401	1.000	ST		
31	4.291-014.0	Spindle complete	1.000	ST	HD 5/14 C /HD 5/15 C /HD 6/13 C	
2	6.414-252.0	Strainer	1.000	ST		
40	5.064-230.0	Suction cover	1.000	ST		
3	5.064-150.0	Suction cover	1.000	ST		
39	5.402-727.0	Suction nipple	1.000	ST		
33	4.744-195.0	Switch complete	1.000	ST		
	Item text1: /1.514-106.0 / -111.0					
33	4.744-168.0	Switch complete	1.000	ST		
	Item text1: /1.514-101.0 /-103.0 /-104.0 /-105.0 /-109.0 /-110.0 /-112.0 /-113.0 /-123.0 /124.0 /-127.0 /-151.0 /-201.0 /-203.0 /-204.0 /-205.0 /-206.0 / -207.0 /-251.0 / -252.0 /-255.0 /-503.0 /-507.0 /-508.0					
4	2.884-916.0	Valve (3 Stück)	2.000	ST		SET CONSITSTS OF 3X VALVE
20	4.584-022.0	Valve pin complete	1.000	ST		
29	5.583-147.0	Valve screw	1.000	ST	HD 5/14 C /HD 5/15 C /HD 6/13 C	
8	5.115-721.0	Washer	3.000	ST		
5	5.116-093.0	Washer	3.000	ST		



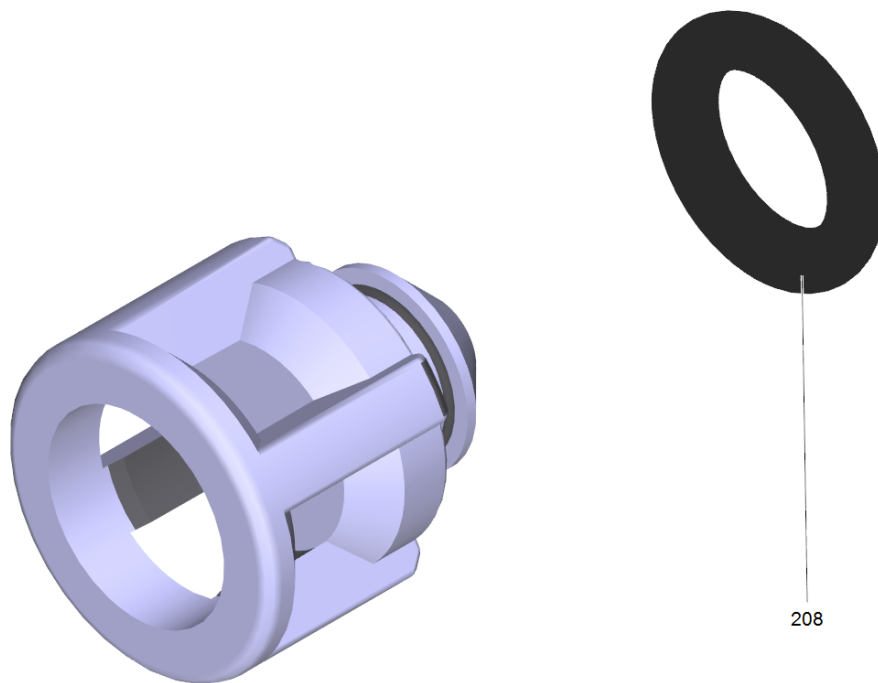
4 Valve (3 Stück) (2.884-916.0)

POS	Article no.	Description	Quantity	Unit
15	6.362-077.0	O-Ring seal 10 x 2,2 NBR 70	1.000	ST



11 Drain plug only for replacement (4.132-007.0)

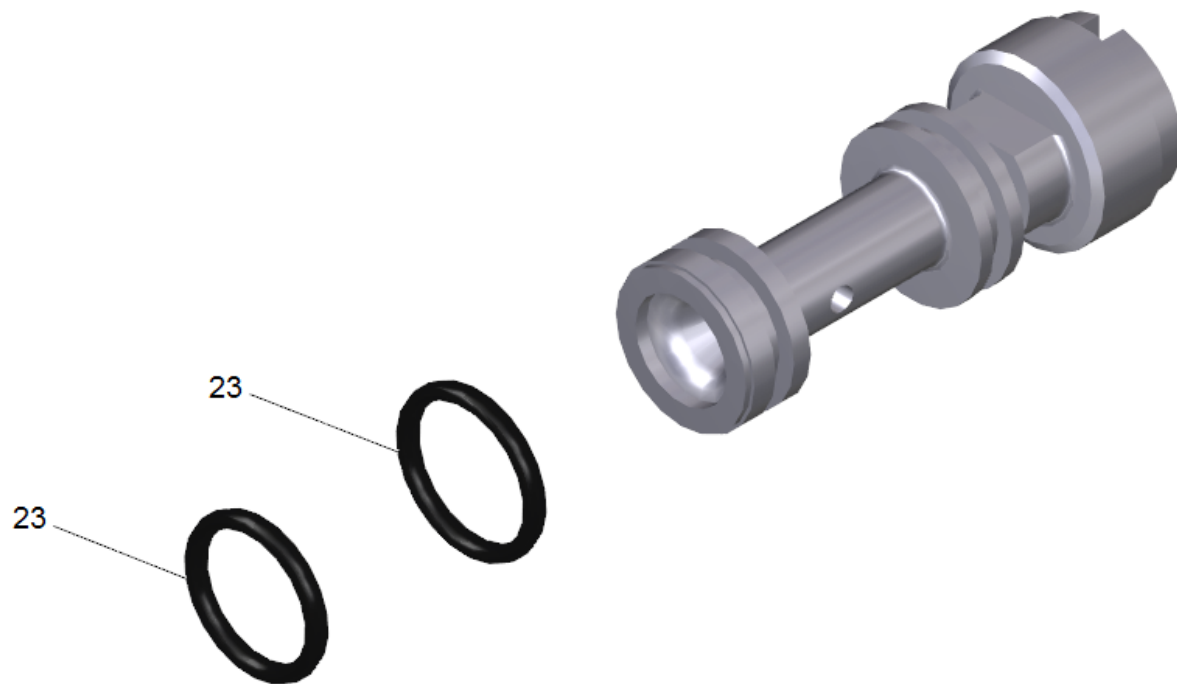
POS	Article no.	Description	Quantity	Unit
18	6.362-458.0	O-Ring seal 11,0x2,0-NBR 70	1.000	ST



208

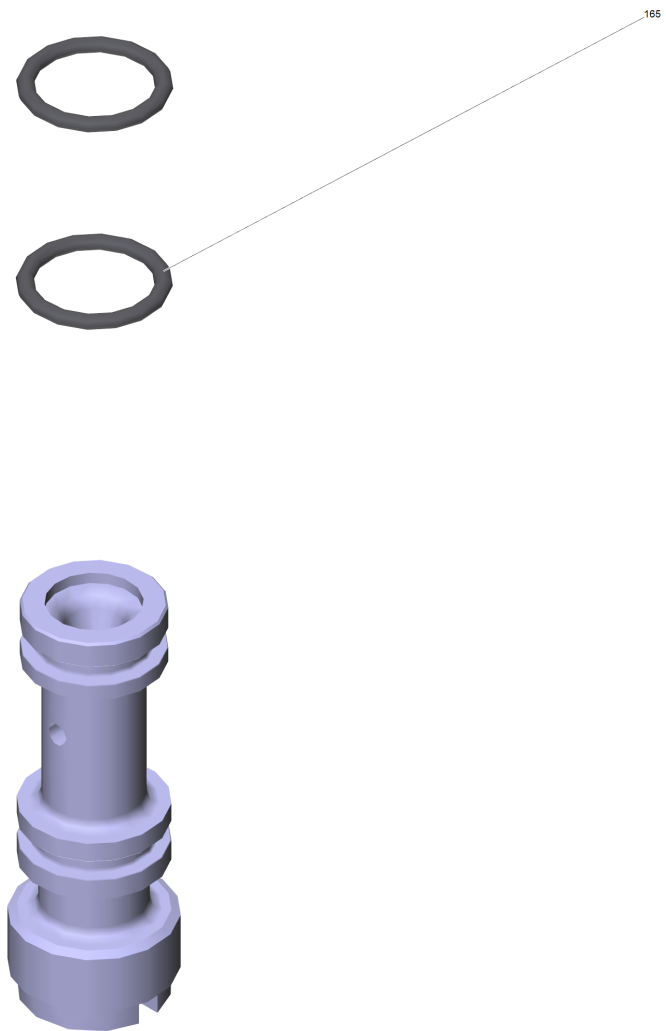
20 Valve pin complete (4.584-022.0)

POS	Article no.	Description	Quantity	Unit
208	6.363-613.0	O-Ring seal 4 x 2 -NBR90	1.000	ST



21 Nozzle insert only for replacement (4.769-034.0)

POS	Article no.	Description	Quantity	Unit
23	6.362-384.0	O-Ring seal 9x1,5 - NBR 70	2.000	ST

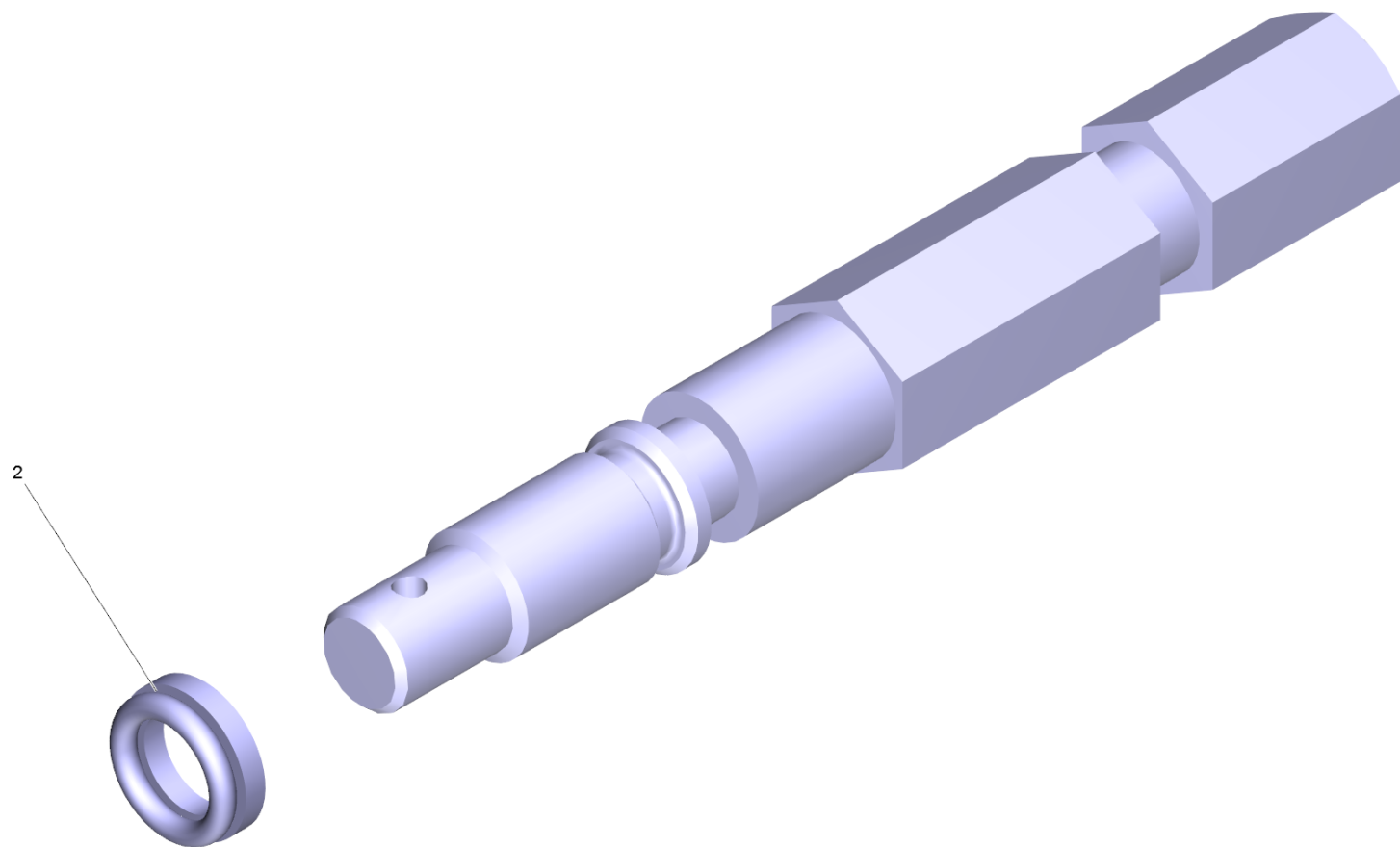


21 Nozzle insert (4.769-035.0)

POS	Article no.	Description	Quantity	Unit
165	6.362-384.0	O-Ring seal 9x1,5 - NBR 70	2.000	ST

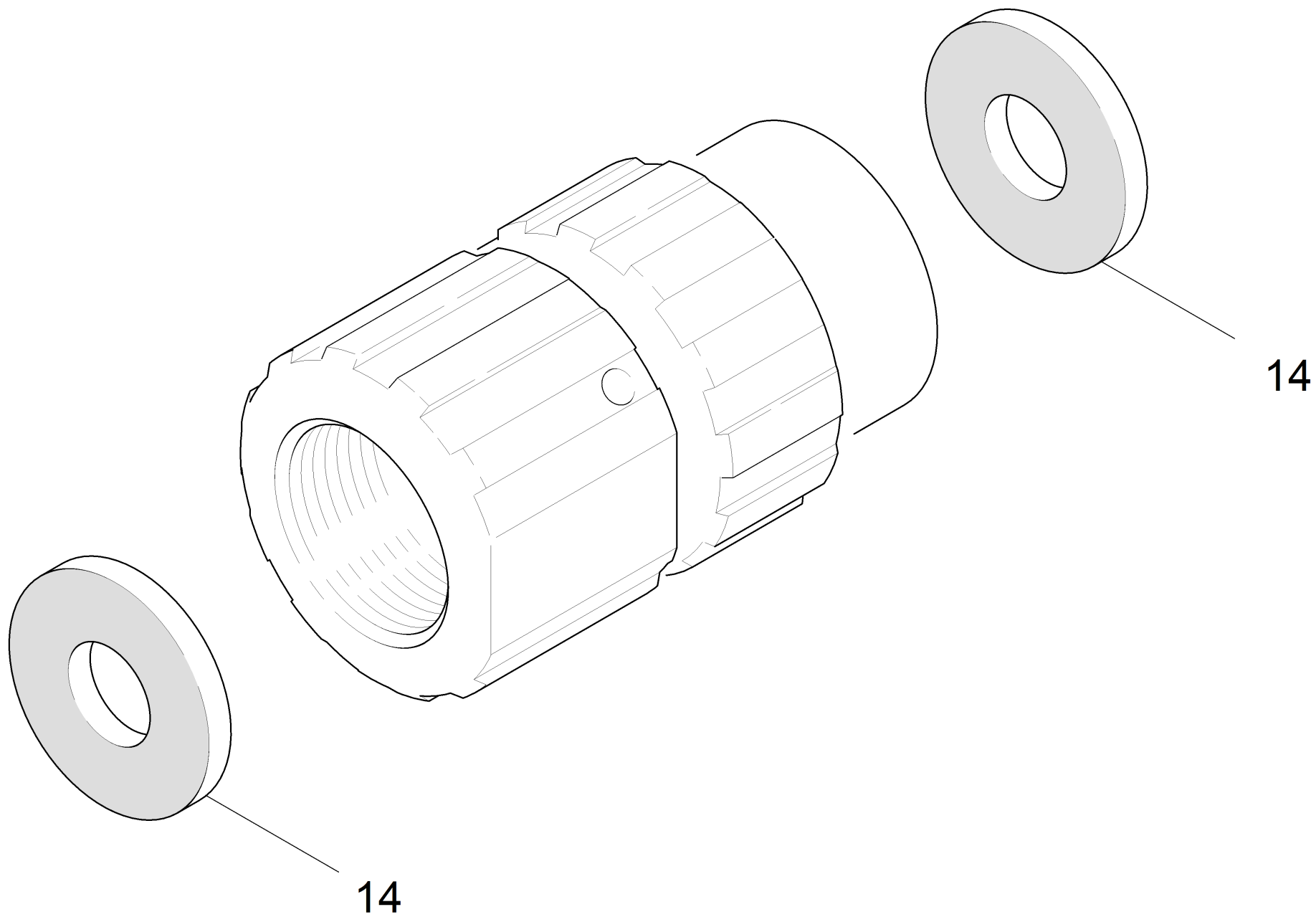
24 Overflow valve (4.591-038.0)

POS	Article no.	Description	Quantity	Unit
42		Grease PFAE	1.000	KG
20	5.332-425.0	Helical spring	1.000	ST
44	6.362-169.0	O-Ring seal 12,0 X 2,0	1.000	ST
47	6.362-454.0	O-Ring seal complete 2ST.-R.	1.000	ST
26	5.553-390.0	Piston	1.000	ST
14	5.305-264.0	Shaped screw	1.000	ST
28	5.581-230.0	Valve seat	1.000	ST



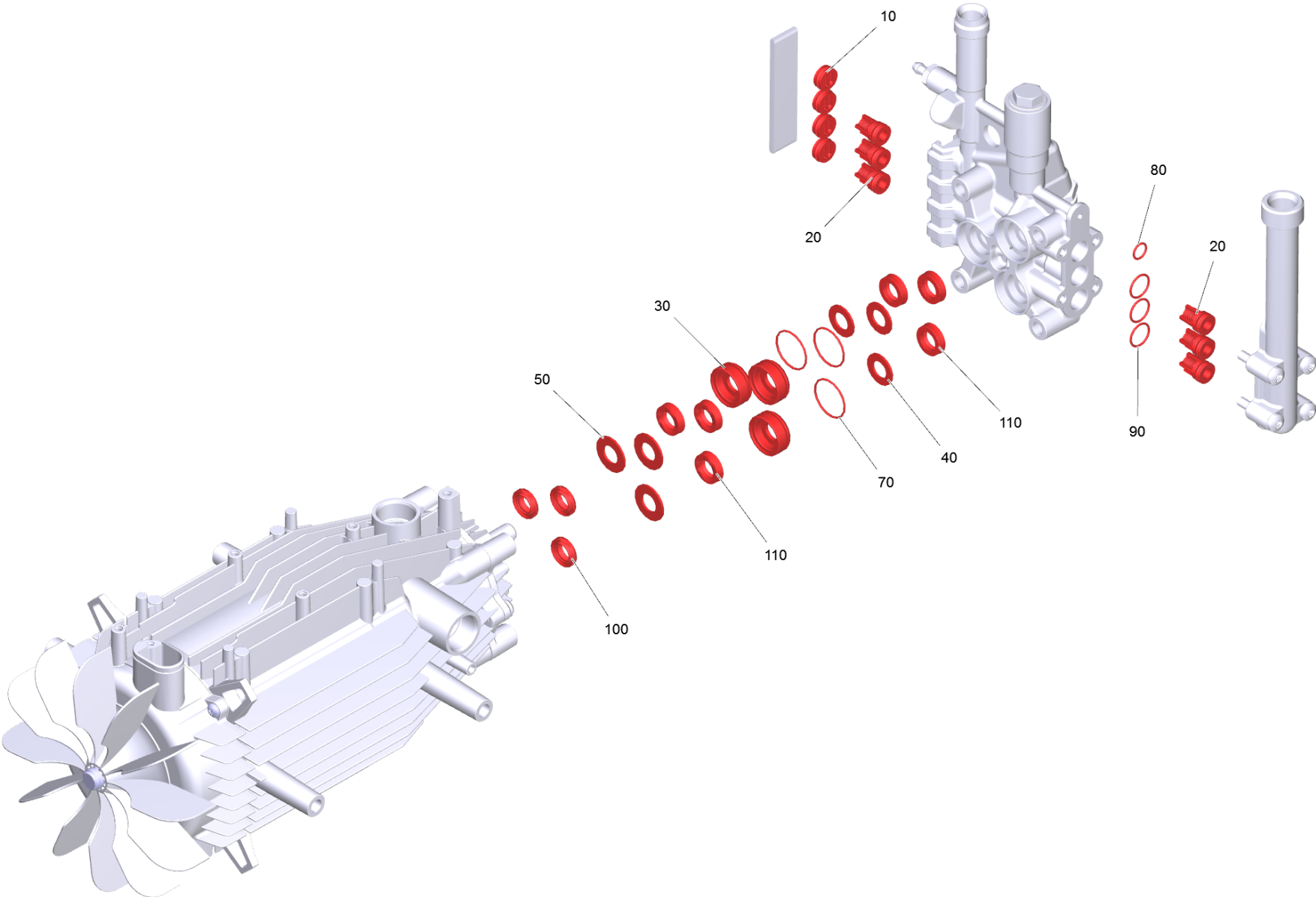
31 Spindle complete (4.291-014.0)

POS	Article no.	Description	Quantity	Unit
2	6.362-468.0	O-Ring seal complete 1ST.-R.	1.000	ST



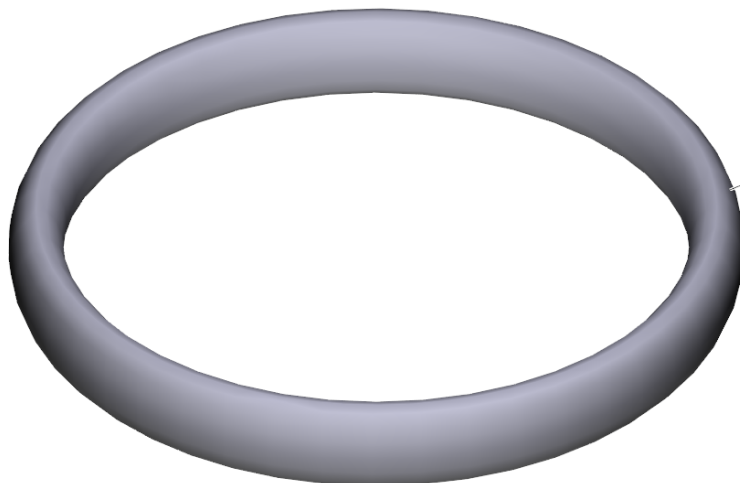
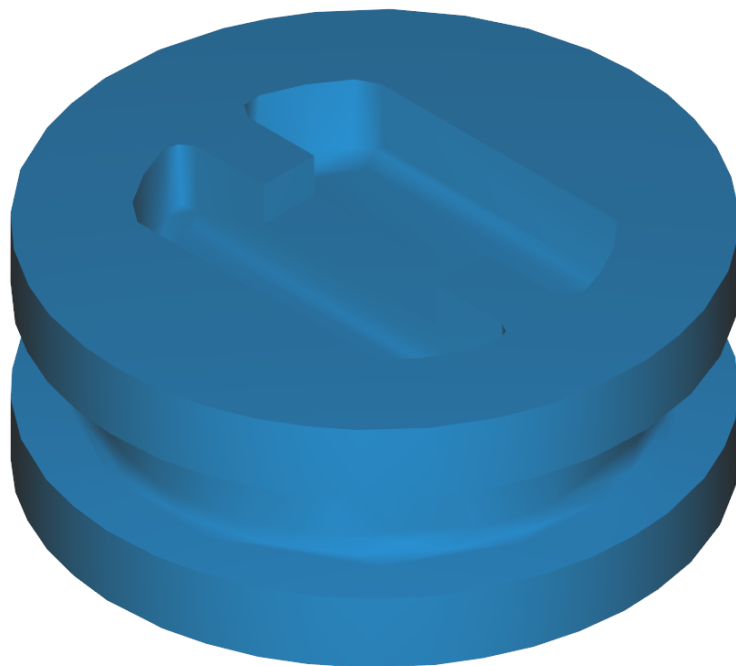
47 Screw connector part (4.401-074.0)

POS	Article no.	Description	Quantity	Unit
14	5.364-129.0	Flat gasket	2.000	ST



100 PUMP SET HD 5/12 C (2.883-997.0)

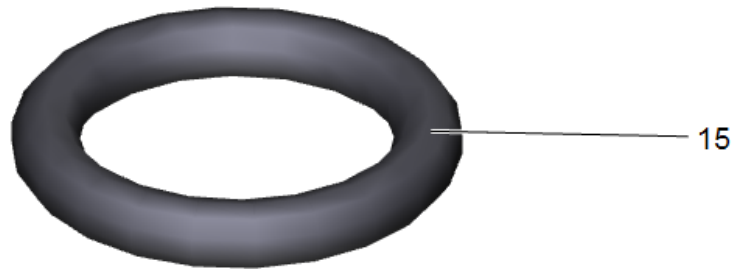
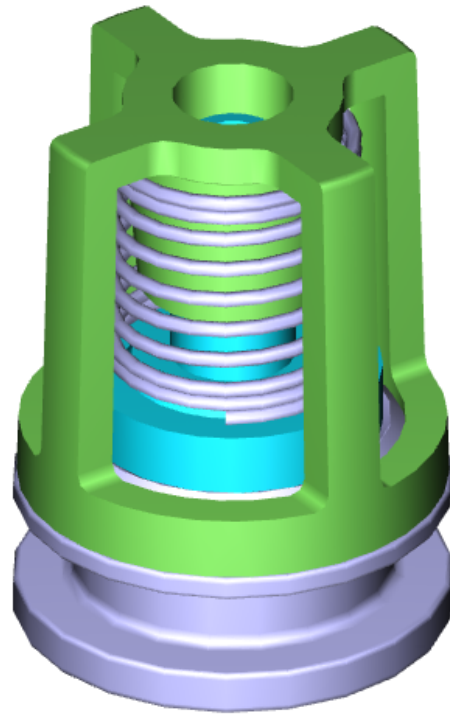
POS	Article no.	Description	Quantity	Unit
30	5.112-726.0	Bush	3.000	ST
10	4.132-007.0	Drain plug only for replacement	4.000	ST
100	6.365-001.0	Grooved ring 12x20x4/6	3.000	ST
110	6.365-477.0	Grooved ring 12x20x5,3/2,8	6.000	ST
80	6.362-384.0	O-Ring seal 9x1,5 - NBR 70	1.000	ST
90	6.362-533.0	O-Ring seal 14,0 X 1,5-NBR 70	3.000	ST
70	6.362-376.0	O-Ring seal 24,0 X 1,5	3.000	ST
60	6.288-072.0	Silicon grease	1.000	ST
20	2.884-916.0	Valve (3 Stück)	2.000	ST
40	5.115-721.0	Washer	3.000	ST
50	5.116-093.0	Washer	3.000	ST



18

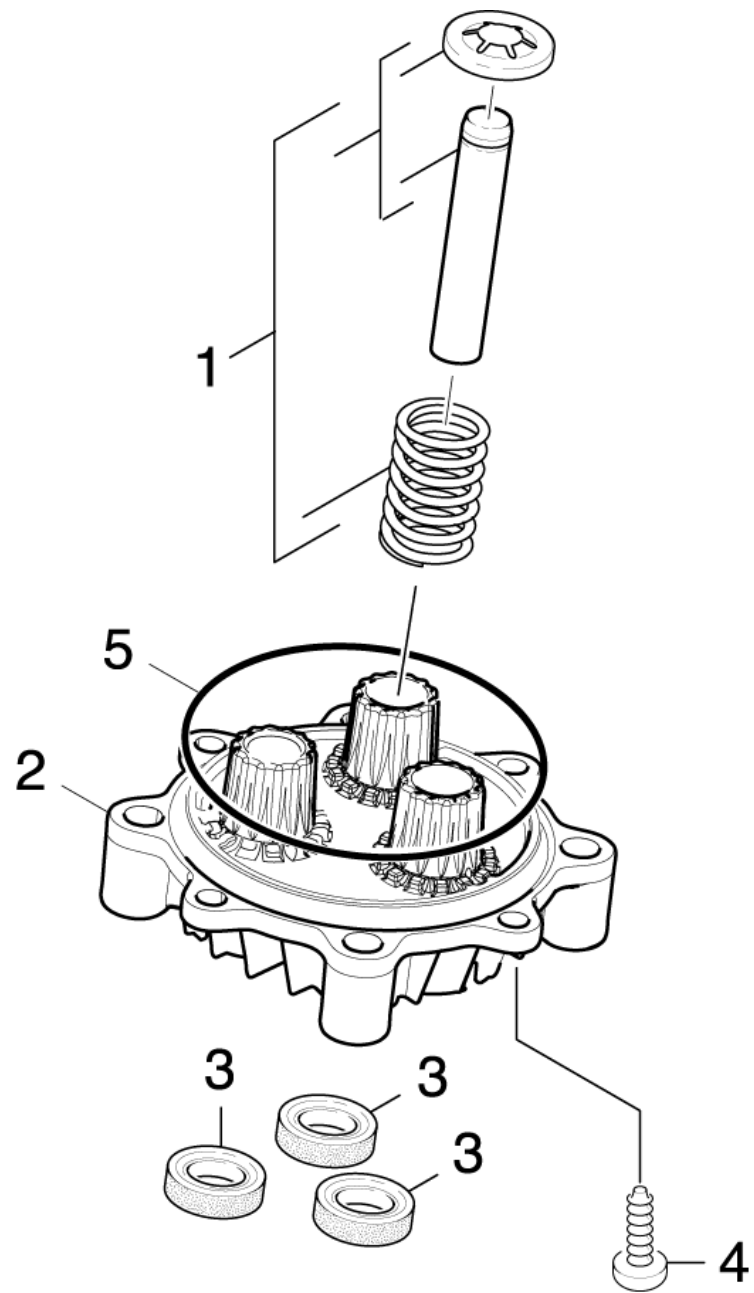
10 Drain plug only for replacement (4.132-007.0)

POS	Article no.	Description	Quantity	Unit
18	6.362-458.0	O-Ring seal 11,0x2,0-NBR 70	1.000	ST



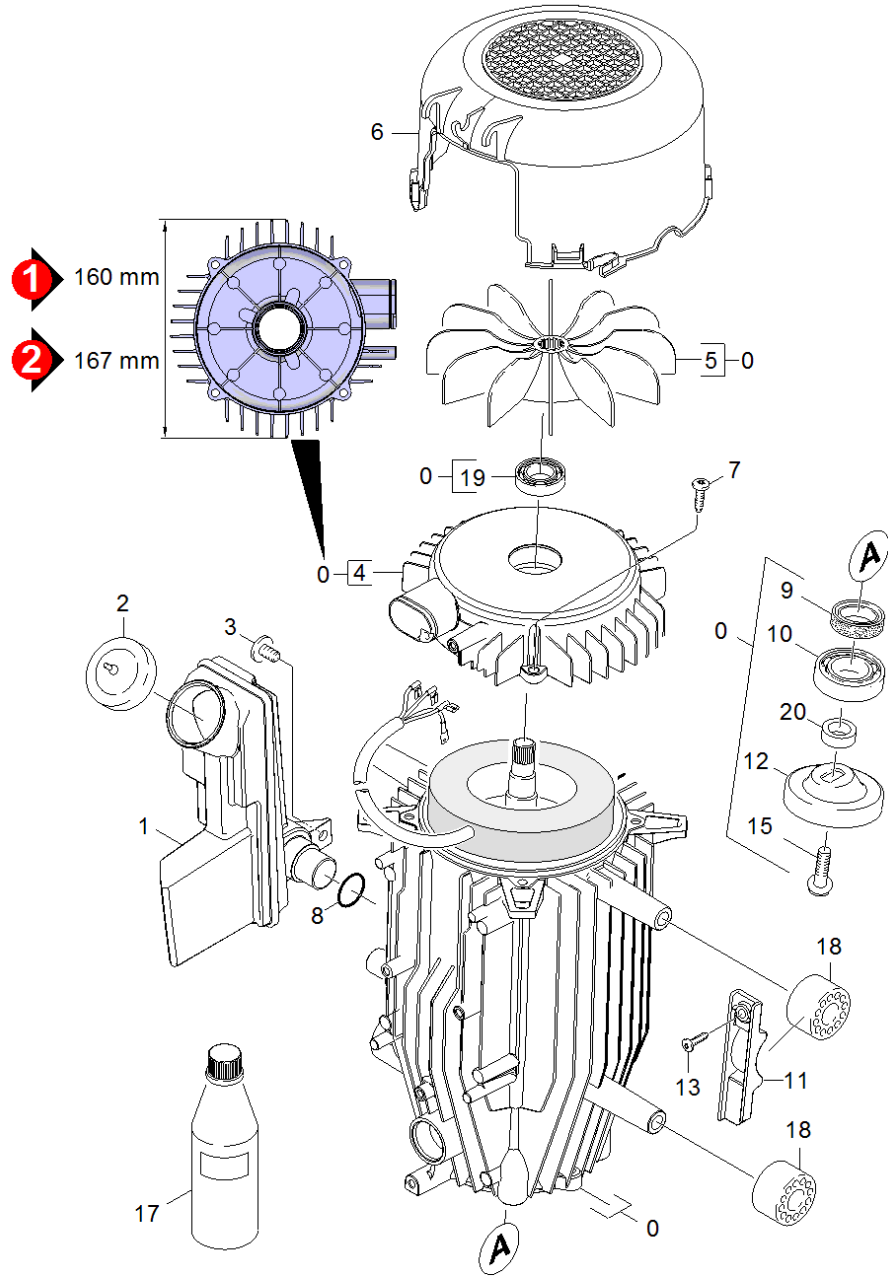
20 Valve (3 Stück) (2.884-916.0)

POS	Article no.	Description	Quantity	Unit
15	6.362-077.0	O-Ring seal 10 x 2,2 NBR 70	1.000	ST



22 Thrust guidance

POS	Article no.	Description	Quantity	Unit
3	6.365-001.0	Grooved ring 12x20x4/6	3.000	ST
5	6.363-077.0	O-Ring seal 75x3	1.000	ST
1	4.553-230.0	Piston complete	3.000	ST
	Item text1: / 1.514-101.0 /-103.0 /-104.0 /-105.0 /-112.0 /-113.0 /-123.0 /-124.0 /-151.0 /-503.0 /-507.0 /-508.0			
1	4.553-302.0	Piston complete only for replacement	3.000	ST
	Item text1: 1.514-110.0 /-127.0			
1	4.553-301.0	Piston complete only for replacement	3.000	ST
	Item text1: 1.514-109.0			
1	4.553-231.0	Piston complete only for replacement	3.000	ST
	Item text1: / 1.514-201.0 / -203.0 / -204.0			
	Item text2: / -251.0 / -252.0 / -255.0			
1	4.553-273.0	Piston complete only for replacement	3.000	ST
	Item text1: / 1.514-205.0 /-206.0 /-207.0			
1	4.553-237.0	Piston D12 *CDN	3.000	ST
	Item text1: / 1.514-106.0 / -111.0			
4	7.303-047.0	Screw M6x16 -St-R3R (In6Rd)	2.000	ST
2	5.061-018.3	Thrust guidance	1.000	ST

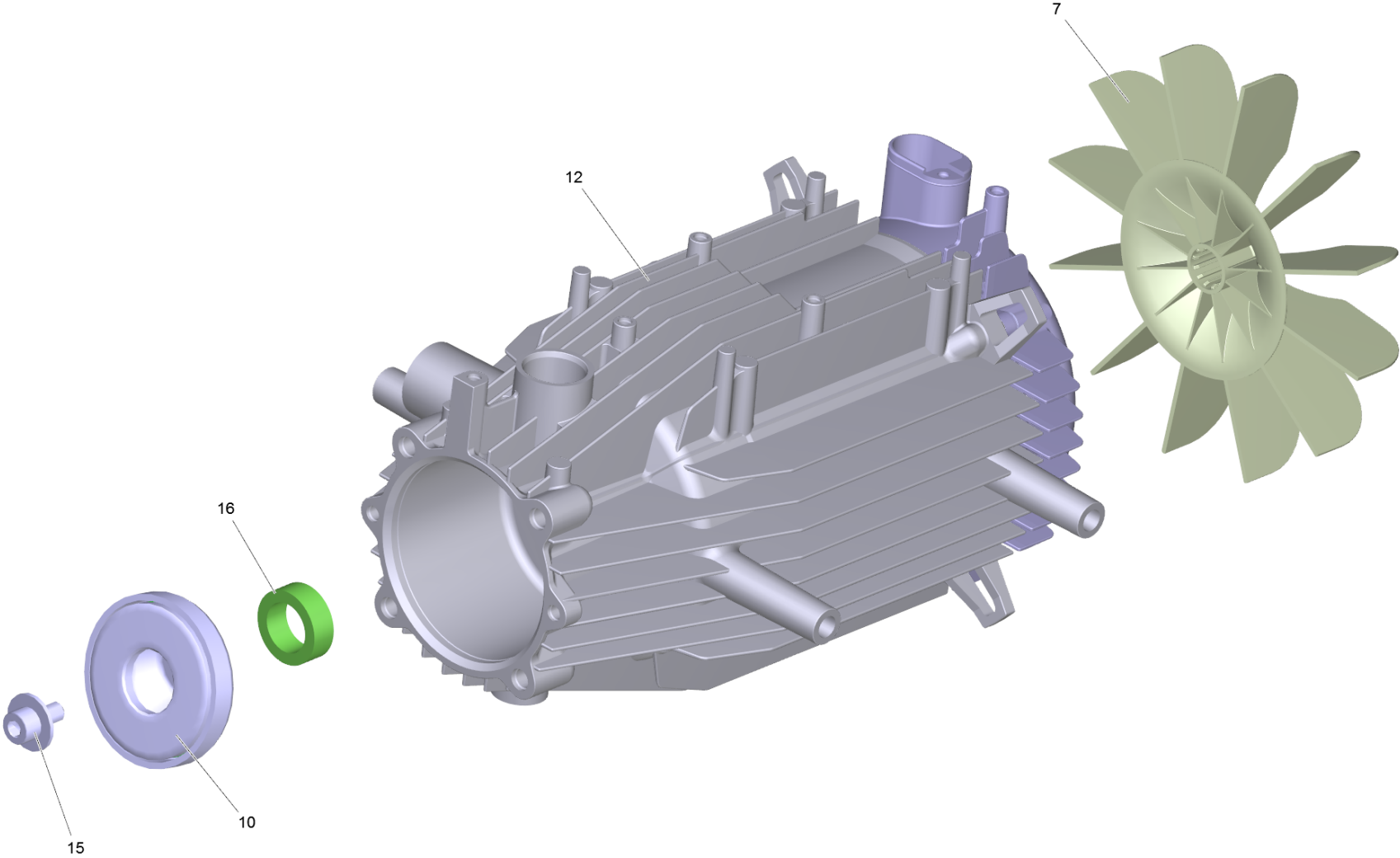


30 Motor

POS	Article no.	Description	Quantity	Unit	Foot note text
6	5.692-081.0	Air circulation	1.000	ST	
10	6.401-427.0	Angular contact ball bearing	1.000	ST	
	Item text1: 1.514-123.0 /-124.0 /-508.0				
10	6.401-437.0	Ball bearing	1.000	ST	
	Item text1: 1.514-101.0 /-103.0 /-104.0 /-105.0 /-106.0 /-109.0 /-110.0 /-111.0 /-112.0 /-113.0 /-127.0 /-151.0 /-201.0 /-203.0 /-204.0 /-205.0 /-206.0 /-207.0 /-251.0 /-252.0 /-255.0 /-503.0 /-507.0				
19	7.401-128.0	Ball bearing 6202-2RS -Wälzl.St DIN 625	1.000	ST	
4	5.094-148.0	Bearing cover B	1.000	ST	VERSION 2
4	5.094-127.0	Bearing cover B	1.000	ST	VERSION 1
5	5.600-060.0	Blower wheel	1.000	ST	
2	5.063-389.0	Cover	1.000	ST	
17	6.288-050.0	Engine oil 1L	1.000	ST	
0	4.623-615.0	Motor complete	1.000	ST	VERSION 1
	Item text1: 1.514-101.0 / -103.0 / -104.0 / -105.0				
	Item text2: / -151.0				
0	4.623-815.0	Motor complete	1.000	ST	
	Item text1: 1.514-112.0 /-113.0 /-503.0 /-507.0 /				
0	4.623-618.0	Motor complete	1.000	ST	VERSION 1
	Item text1: 1.514-109.0 / -201.0 / -203.0 / -204.0				
	Item text2: / -251.0 / -252.0 / -255.0				
0	4.623-669.0	Motor complete only for replacement	1.000	ST	
	Item text1: 1.514-110.0 /-127.0				
0	4.623-680.0	Motor complete only for replacement	1.000	ST	
	Item text1: / 1.514-106.0 / -111.0				
0	4.624-093.0	Motor complete only for replacement	1.000	ST	VERSION 2
	Item text1: 1.514-201.0 /-203.0 /-251.0 /-252.0				
0	4.623-684.0	Motor complete only for replacement	1.000	ST	
	Item text1: / 1.514-205.0 /-206.0 /-207.0				
0	4.624-095.0	Motor complete only for replacement	1.000	ST	VERSION 2
	Item text1: 1.514-123.0 /-124.0 /-508.0				
0	4.624-091.0	Motor complete only for replacement	1.000	ST	VERSION 2
	Item text1: 1.514-101.0 /-103.0 /-104.0 /-105.0 /				
	Item text2: -151.0				

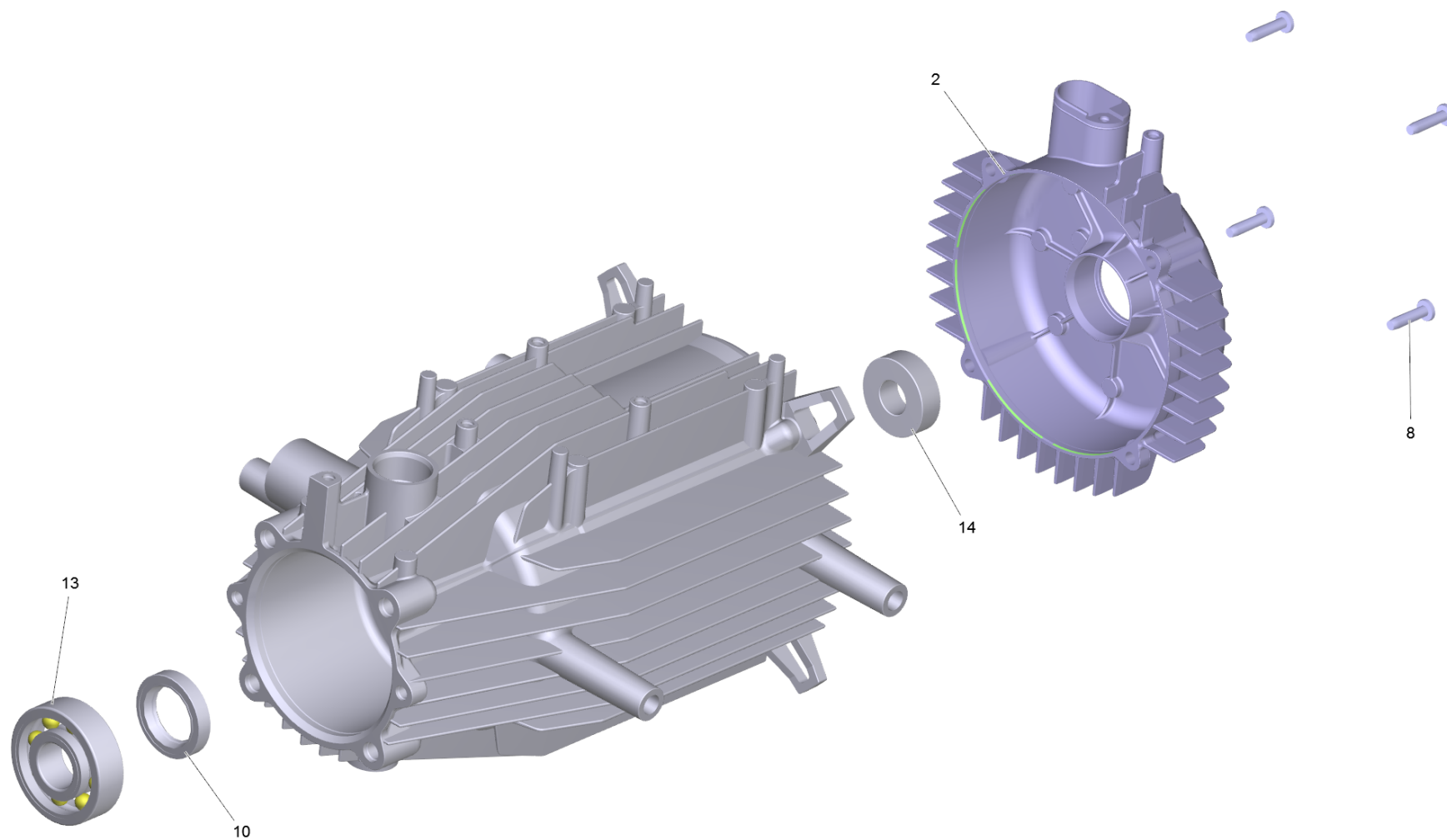
30 Motor

POS	Article no.	Description	Quantity	Unit	Foot note text
0	4.624-012.0	Motor complete only for replacement	1.000	ST	VERSION 1
	Item text1: 1.514-123.0 /-124.0 /-508.0				
11	5.802-288.0	Mounting part	2.000	ST	
8	6.362-161.0	O-Ring seal 19,3 X 2,4	1.000	ST	
9	7.367-001.0	Radial shaft seal ring A24x37x7 -NBR DI	1.000	ST	
18	5.767-005.0	Rubber buffer	4.000	ST	
13	7.303-108.0	Screw 5x20 -10.9-R2R (In6Rd)	2.000	ST	
3	6.303-153.0	Screw M5x15-ST-R2R (IN6RD)	1.000	ST	
7	6.303-320.0	Screw M 5x 20-St-R2R	4.000	ST	
1	5.070-639.0	Tank oil	1.000	ST	
20	5.116-144.0	Washer	1.000	ST	VERSION 2
	Item text1: 1.514-101.0 /-103.0 /-104.0 /-105.0 / -123.0 /-124.0 /-144.0 /-151.0 /-201.0 /-203.0 /-251.0 /-252.0 /-508.0				
12	6.401-196.0	Wobble plate	1.000	ST	
	Item text1: / 1.514-106.0 / -111.0				
12	6.401-289.0	Wobble plate	1.000	ST	
	Item text1: / 1.514-205.0 /-206.0 /-207.0				
12	6.401-291.0	Wobble plate	1.000	ST	
	Item text1: 1.514-110.0 /-127.0				
12	6.401-395.0	Wobble plate	1.000	ST	
	Item text1: 1.514-201.0 / -203.0 / -204.0 / -251.0 /				
	Item text2: -252.0 / -255.0				
12	6.401-289.0	Wobble plate	1.000	ST	
	Item text1: 1.514-101.0 /-103.0 /-104.0 /-105.0 /-109.0 /-112.0 /-113.0 /-123.0 /-124.0 /-151.0/-503.0 /-507.0 /-508.0 /				
15	9.086-169.0	Wobble plate screw M8x16	1.000	ST	



Motor complete only for replacement (4.624-095.0)

POS	Article no.	Description	Quantity	Unit
7	5.600-060.0	Blower wheel	1.000	ST
12		Motor complete	1.000	ST
16	5.116-144.0	Washer	1.000	ST
10	6.401-289.0	Wobble plate	1.000	ST
15	9.086-169.0	Wobble plate screw M8x16	1.000	ST

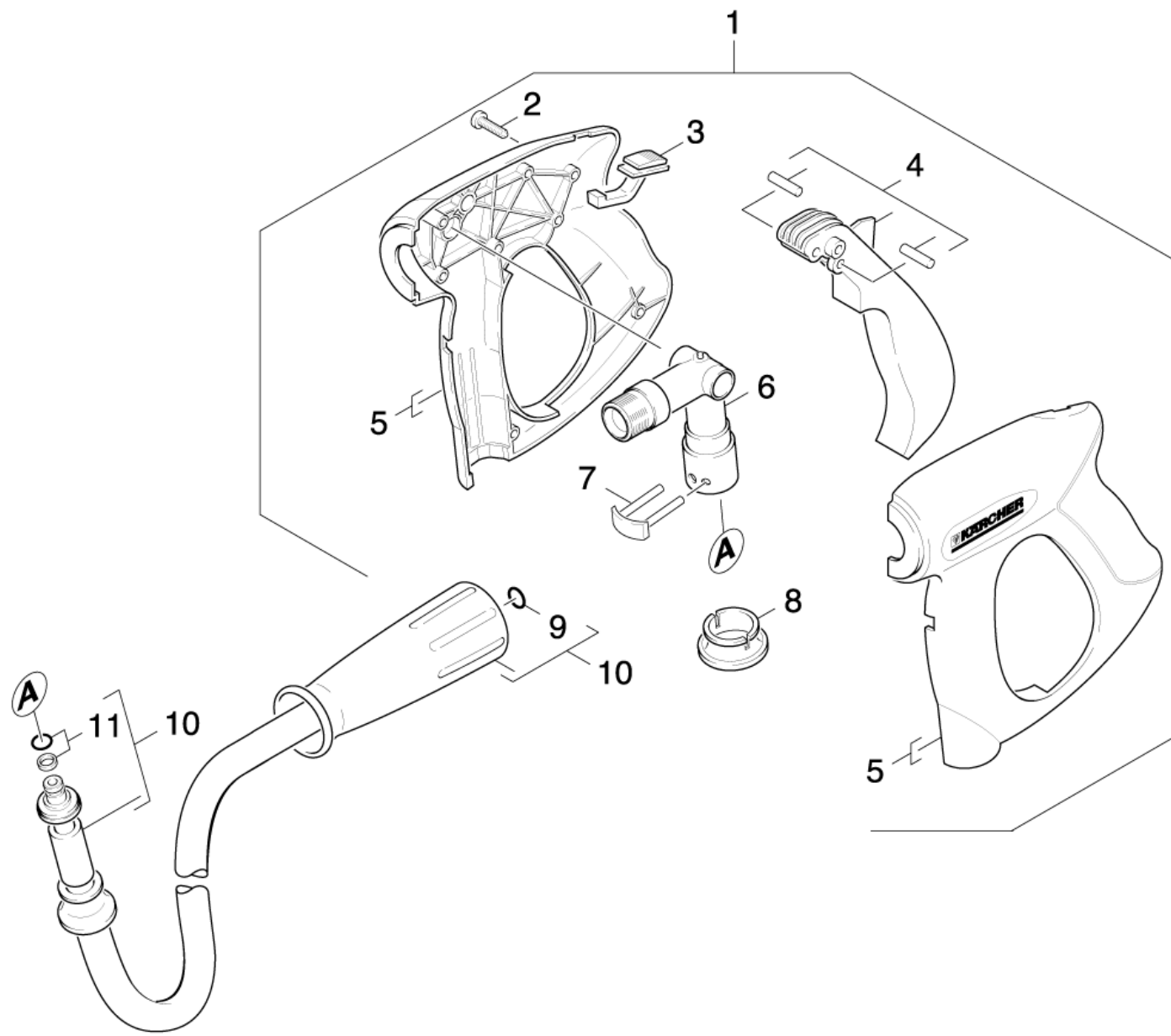


12 Motor complete

POS	Article no.	Description	Quantity	Unit
13	6.401-427.0	Angular contact ball bearing	1.000	ST
14	7.401-128.0	Ball bearing 6202-2RS -Wälzl.St DIN 625	1.000	ST
2	5.094-148.0	Bearing cover B	1.000	ST
10	7.367-001.0	Radial shaft seal ring A24x37x7 -NBR DI	1.000	ST
8	6.303-320.0	Screw M 5x 20-St-R2R	4.000	ST

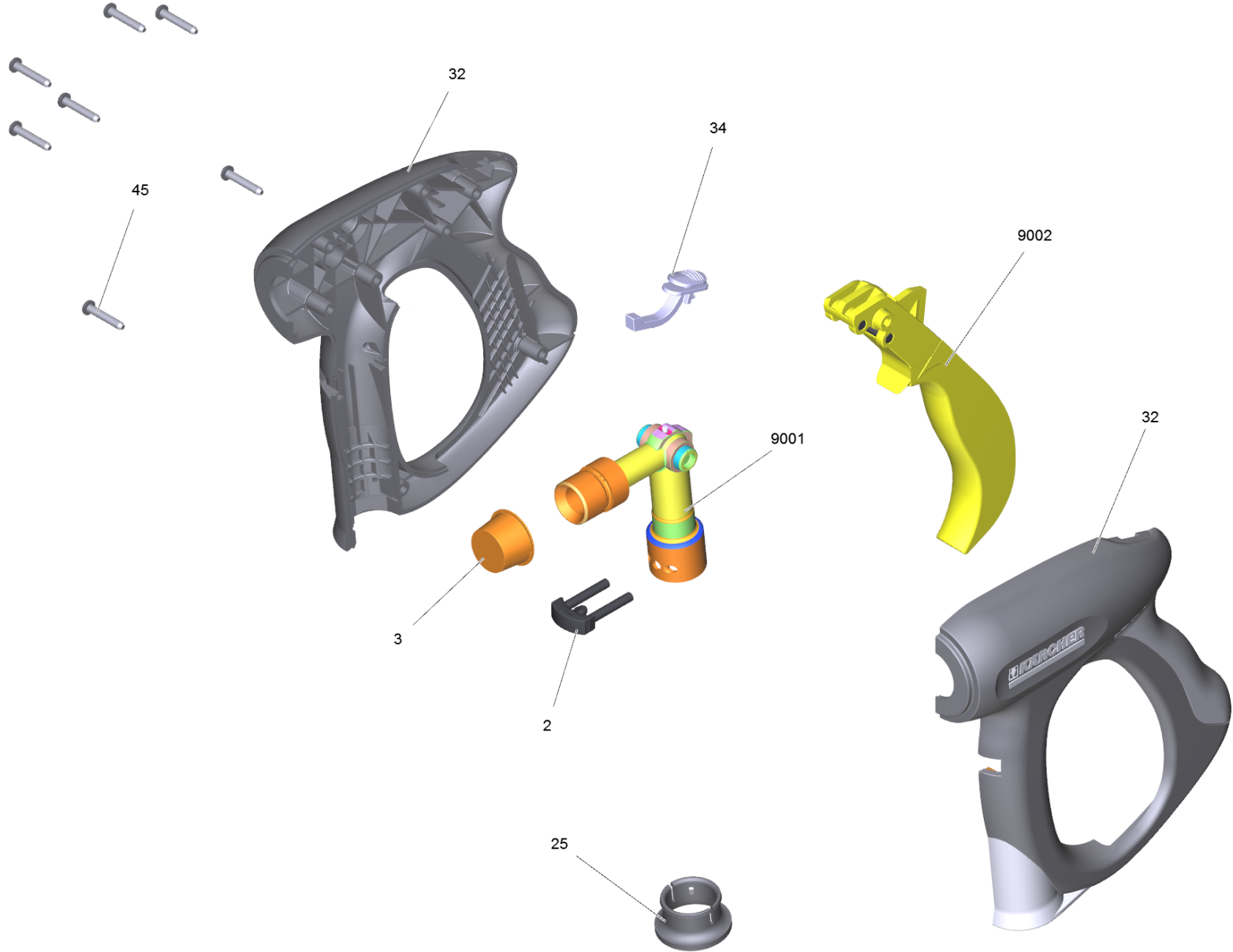
40 Accessories

POS	Description	Quantity	Unit	Remark
41	Hand trigger gun	1.000	ST	VERSION 1
43	Hand trigger gun	1.000	ST	VERSION 3
42	Hand trigger gun	1.000	ST	VERSION 2
45	Jet pipe	1.000	ST	
44	Jet pipe	1.000	ST	
47	Nozzle	1.000	ST	VERSION 2
46	Nozzle	1.000	ST	VERSION 1



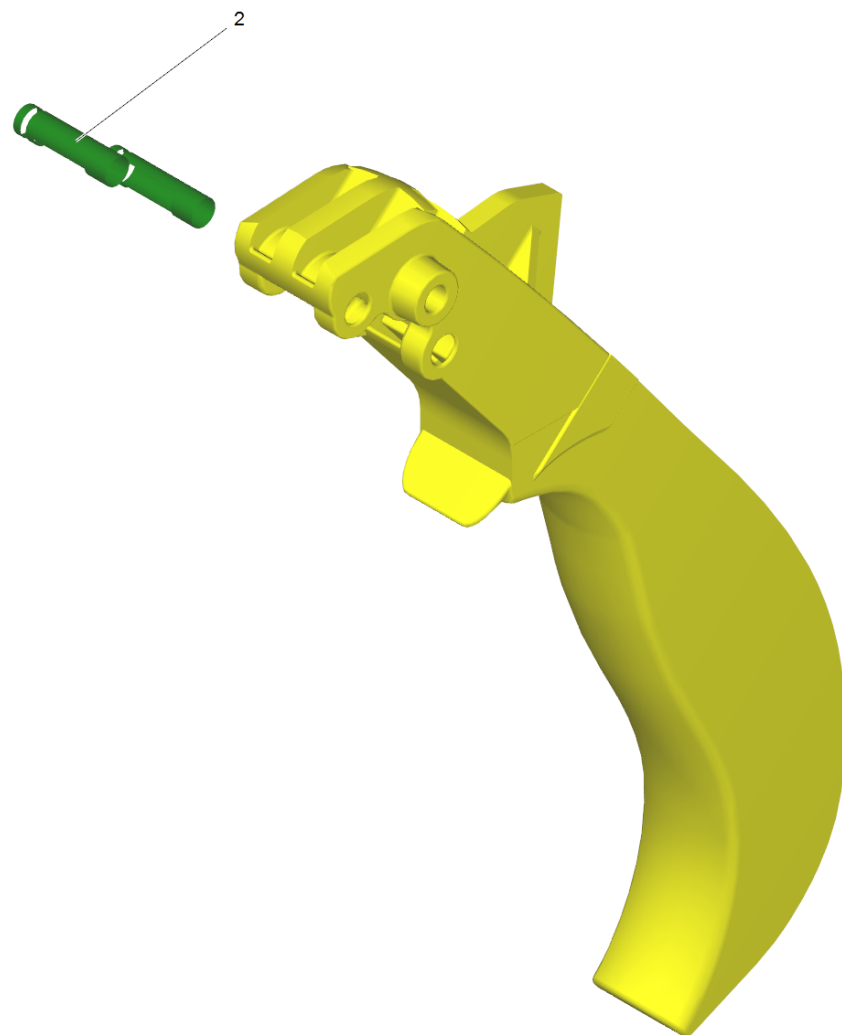
41 Hand trigger gun

POS	Article no.	Description	Quantity	Unit
5	5.321-669.3	Handhold few	1.000	ST
1	4.775-463.0	HAND TRIGGER GUN EASY PRESS	1.000	ST
7	4.037-013.0	Hook	1.000	ST
10	6.390-025.0	Hose assembly DN8 max.31,5MPa 10m	1.000	ST
4	4.481-209.0	Lever complete	1.000	ST
6	4.427-215.0	Manifold complete only for replacement	1.000	ST
11	4.363-691.0	O-Ring seal kpl. -nur fuer Ersatz-	1.000	ST
2	7.303-096.0	Screw 4x22 -ST-10.9-R2R (IN6RD)	7.000	ST
8	5.110-596.0	Sleeve	1.000	ST
3	5.481-331.0	Slider	1.000	ST
9	2.880-990.0	Spare part set O-Ring 5x -Kaercher	1.000	ST



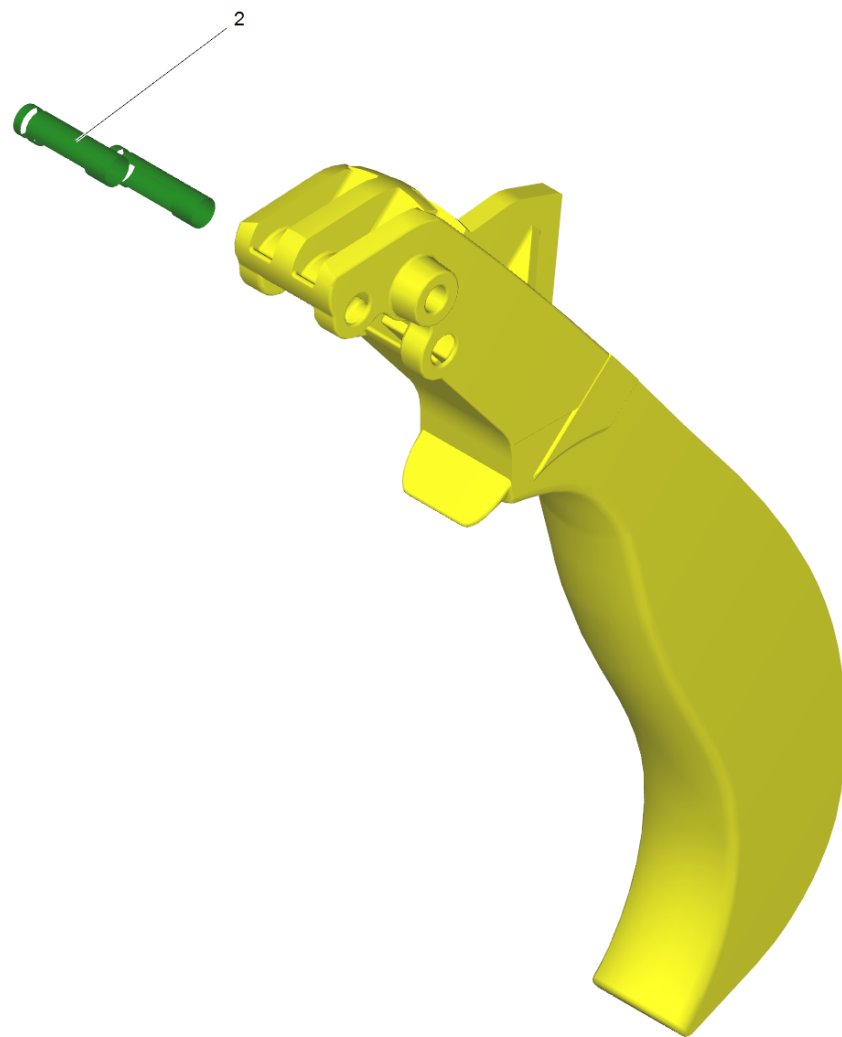
1 HAND TRIGGER GUN EASY PRESS (4.775-463.0)

POS	Article no.	Description	Quantity	Unit
32	5.321-669.3	Handhold few	1.000	ST
2	4.037-013.0	Hook	1.000	ST
9002	4.481-209.0	Lever complete	1.000	ST
9001	4.427-215.0	Manifold complete only for replacement	1.000	ST
4	6.869-075.0	Metal bonding agent 1 ml	1.000	ST
3	6.368-012.0	Protecting cap 22X1,5	1.000	ST
45	7.303-096.0	Screw 4x22 -ST-10.9-R2R (IN6RD)	7.000	ST
1041	6.288-044.0	Silicon grease 100 G	1.000	ST
25	5.110-596.0	Sleeve	1.000	ST
34	5.481-331.0	Slider	1.000	ST



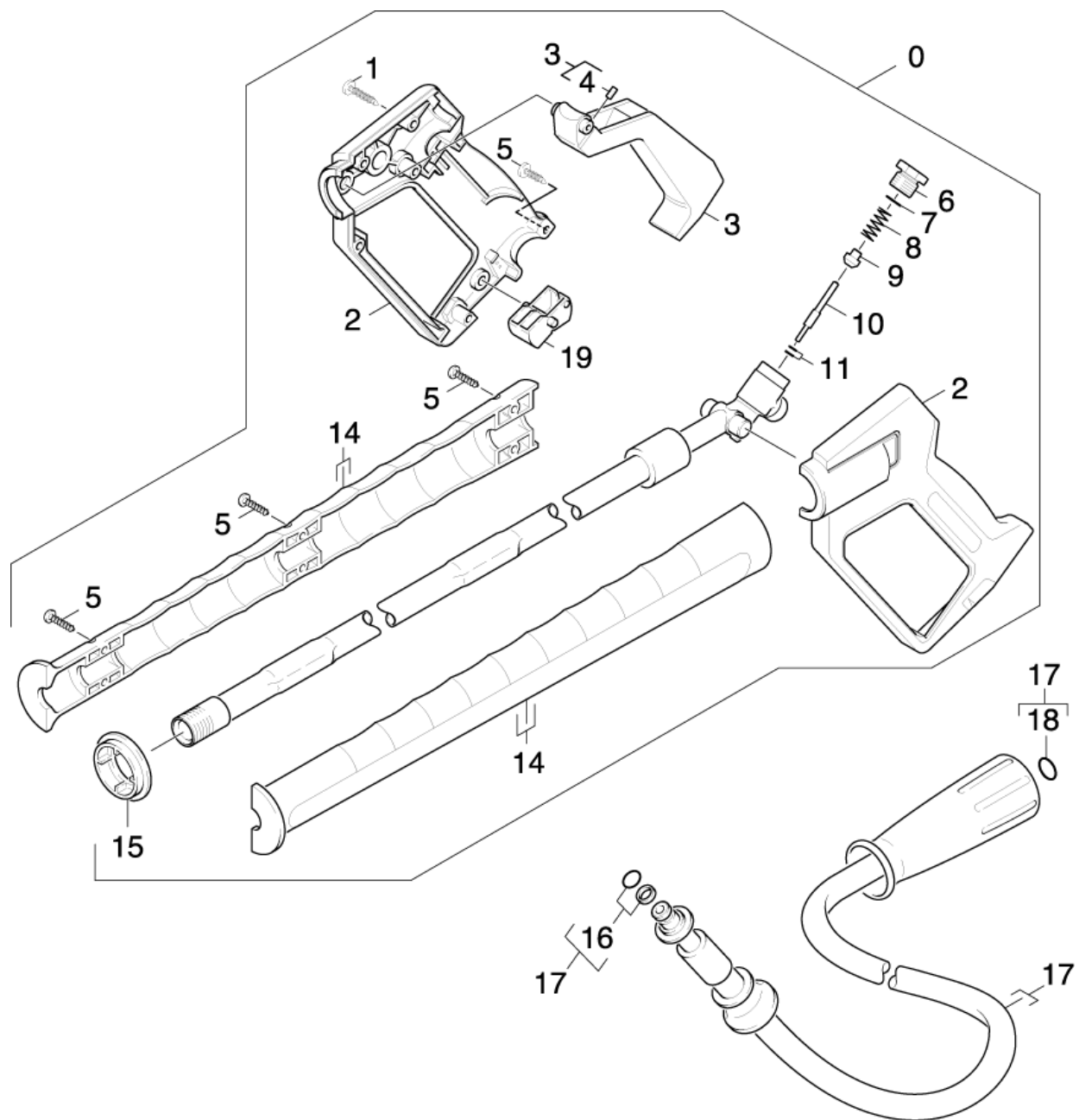
9002 Lever complete (4.481-209.0)

POS	Article no.	Description	Quantity	Unit
2	5.314-119.0	Pin	2.000	ST



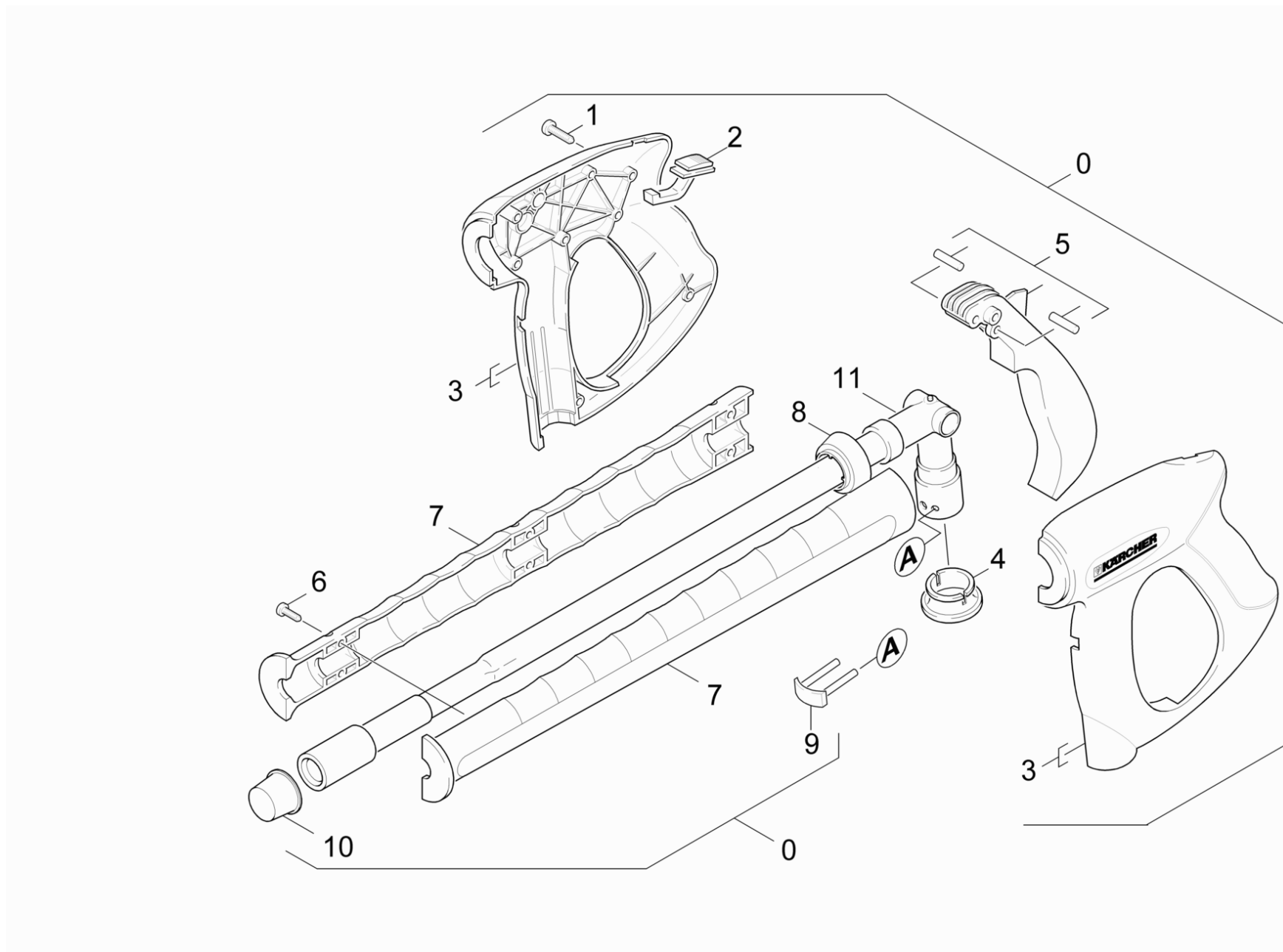
4 Lever complete (4.481-209.0)

POS	Article no.	Description	Quantity	Unit
2	5.314-119.0	Pin	2.000	ST



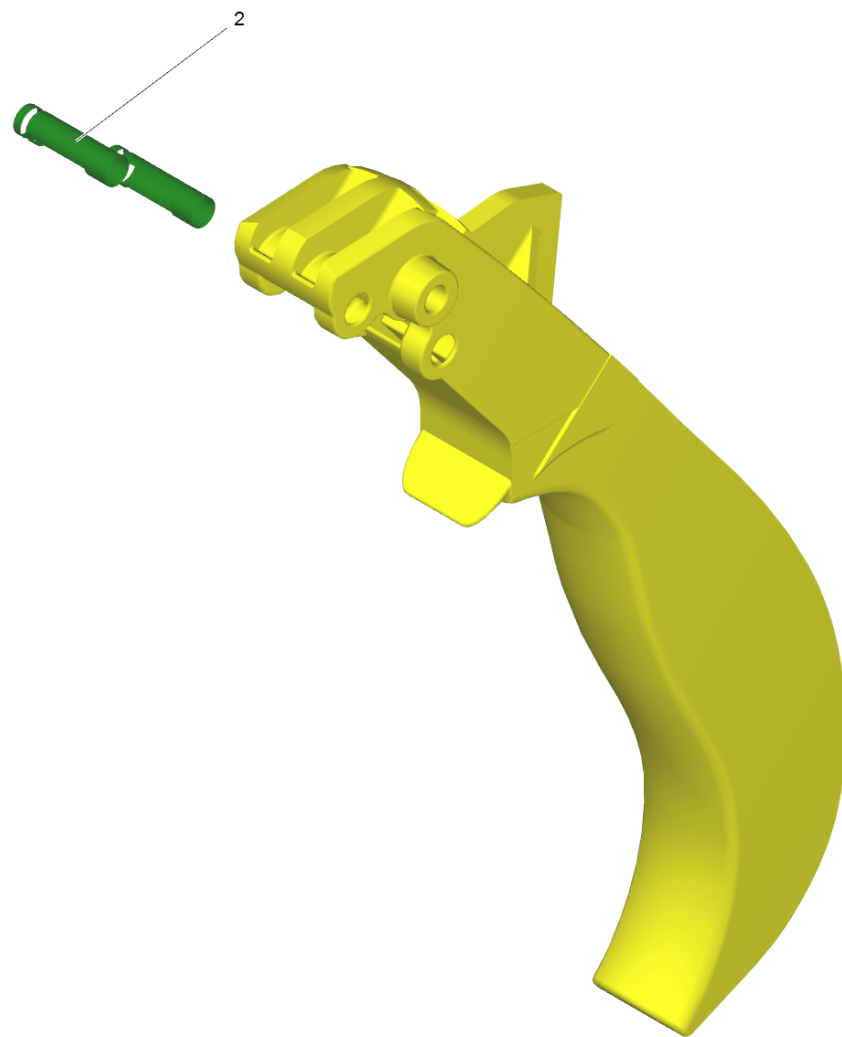
42 Hand trigger gun

POS	Article no.	Description	Quantity	Unit
10	5.107-259.0	Bar	1.000	ST
2	5.321-206.0	Handhold few	1.000	ST
14	5.322-083.0	Handhold few extended Low End	1.000	ST
0	4.775-492.0	Hand trigger gun	1.000	ST
8	5.332-157.0	Helical spring	1.000	ST
17	6.391-238.0	Hose assembly standard DN6 25MPa 10m	1.000	ST
19	5.481-052.0	Lever	1.000	ST
3	4.481-050.0	Lever	1.000	ST
15	5.031-259.0	Moulded part	1.000	ST
7	6.362-584.0	O-Ring seal 12,42X 1,78	1.000	ST
16	6.363-115.0	O-Ring seal complete 1ST.-R.	1.000	ST
5	7.303-129.0	Screw 4x16 -10.9-R2R (K-In6Rd)	7.000	ST
1	7.303-096.0	Screw 4x22 -ST-10.9-R2R (IN6RD)	6.000	ST
6	5.411-067.0	Screw plug	1.000	ST
11	4.880-069.0	Spare part O-ring kit	1.000	ST
18	2.880-990.0	Spare part set O-Ring 5x -Kaercher	1.000	ST
4	7.307-417.0	Threaded pin M8x16 -45H-A2E ISO 4026	1.000	ST
9	5.582-058.0	Valve disc	1.000	ST



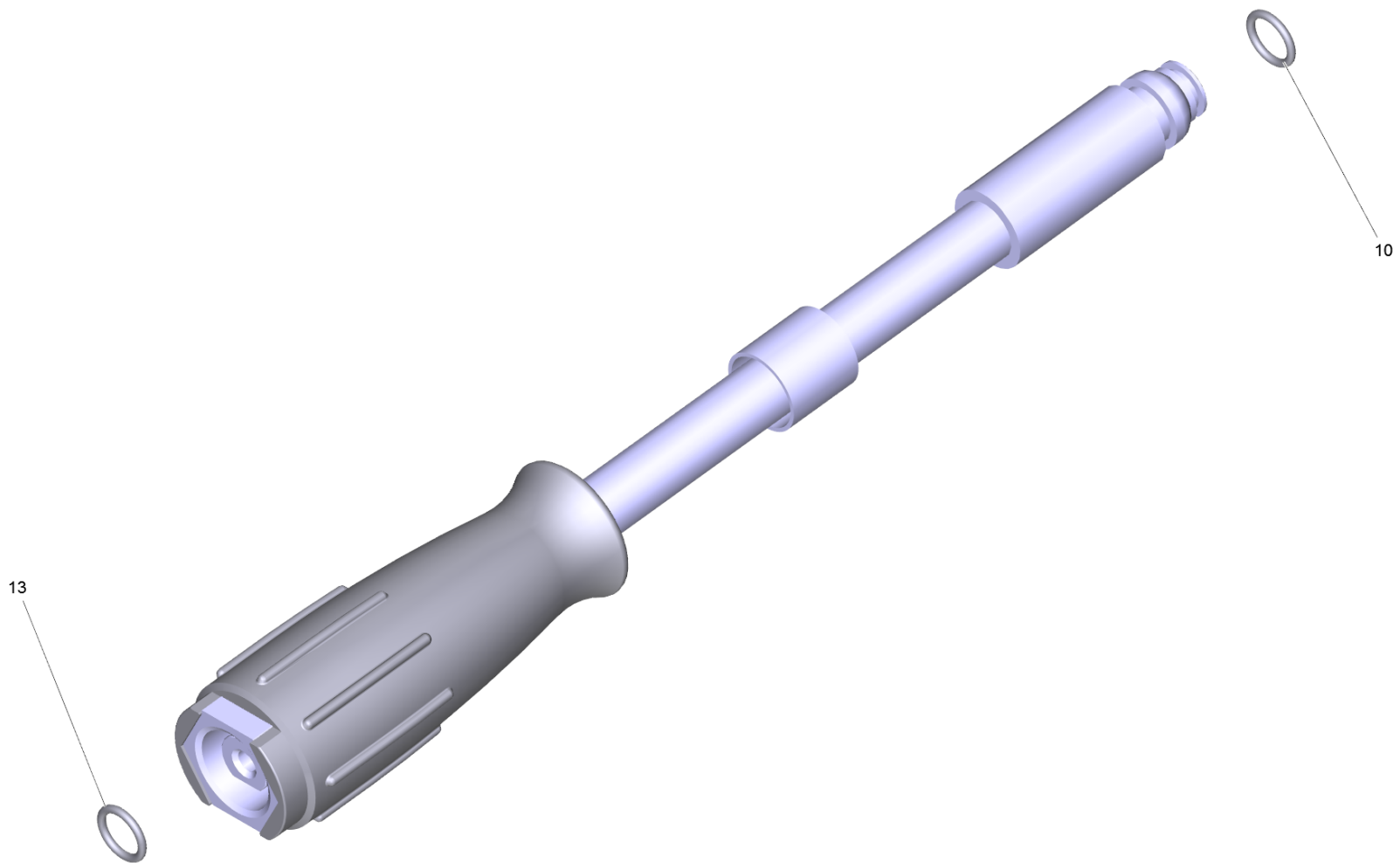
Hand trigger gun (4.775-492.0)

POS	Article no.	Description	Quantity	Unit
7	5.322-083.0	Handhold few extended Low End	1.000	ST
3	5.322-082.0	Handhold few hand trigger gun Low End	1.000	ST
9	4.037-013.0	Hook	1.000	ST
5	4.481-209.0	Lever complete	1.000	ST
11	4.427-363.0	Manifold complete only for replacement L	1.000	ST
8	5.032-801.0	Moulded part	1.000	ST
10	6.368-012.0	Protecting cap 22X1,5	1.000	ST
6	7.303-129.0	Screw 4x16 -10.9-R2R (K-In6Rd)	6.000	ST
1	7.303-096.0	Screw 4x22 -ST-10.9-R2R (IN6RD)	7.000	ST
4	5.110-596.0	Sleeve	1.000	ST
2	5.481-331.0	Slider	1.000	ST
0	4.775-529.0	Trigger gun	1.000	ST



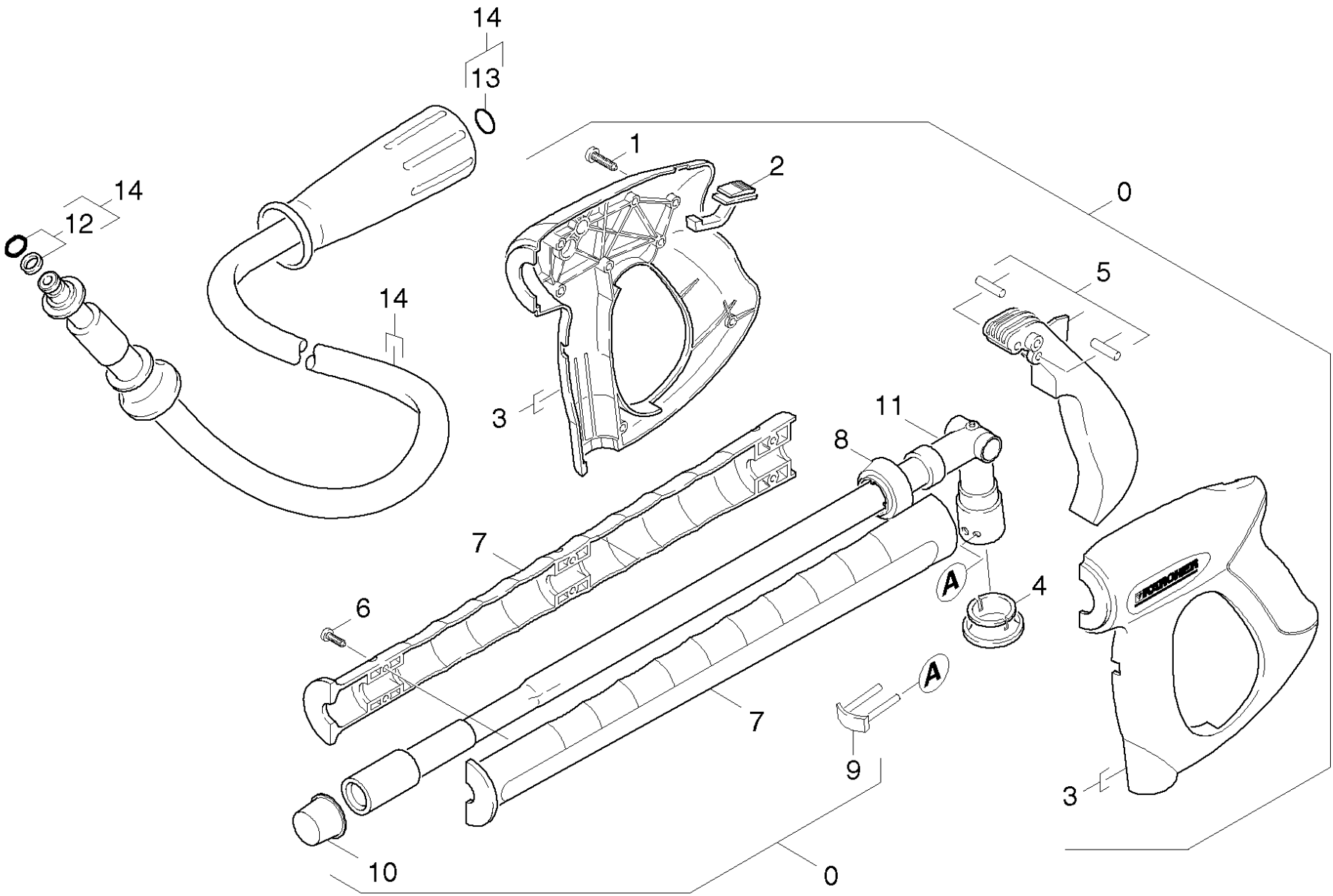
5 Lever complete (4.481-209.0)

POS	Article no.	Description	Quantity	Unit
2	5.314-119.0	Pin	2.000	ST



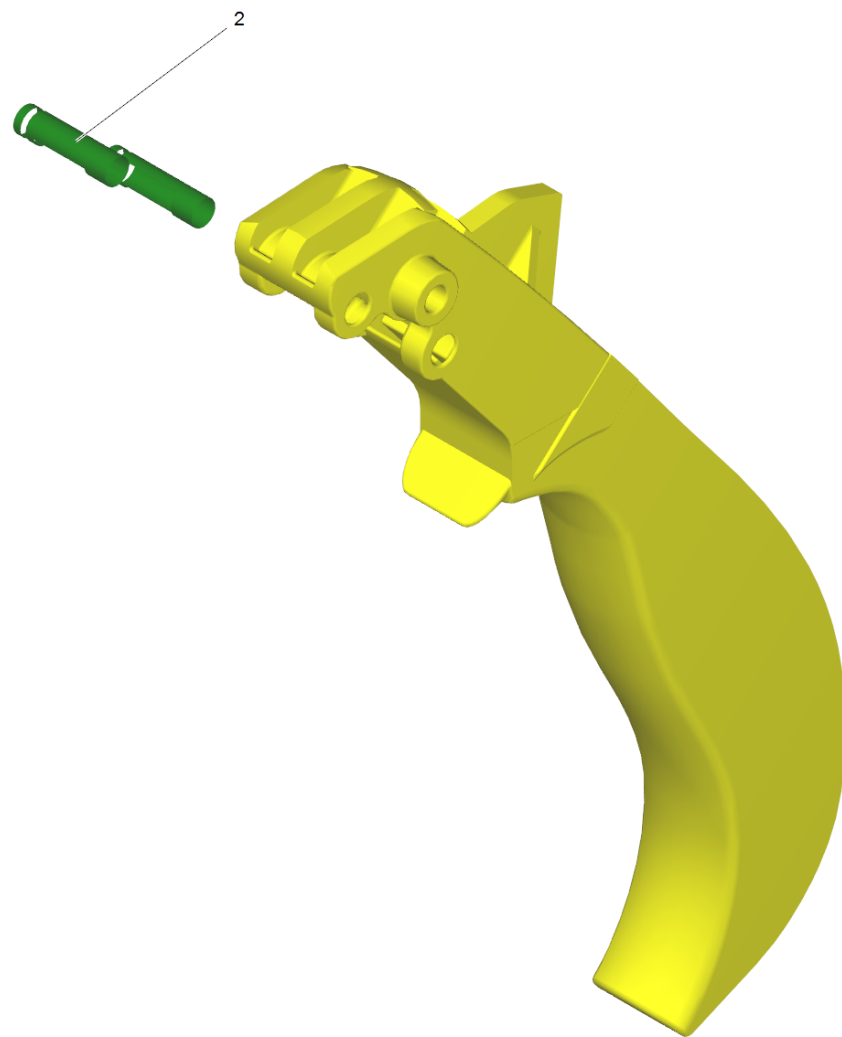
17 Hose assembly standard DN6 25MPa 10m (6.391-238.0)

POS	Article no.	Description	Quantity	Unit
10	4.363-691.0	O-Ring seal kpl. -nur fuer Ersatz-	1.000	ST
13	2.880-990.0	Spare part set O-Ring 5x -Kaercher	1.000	ST



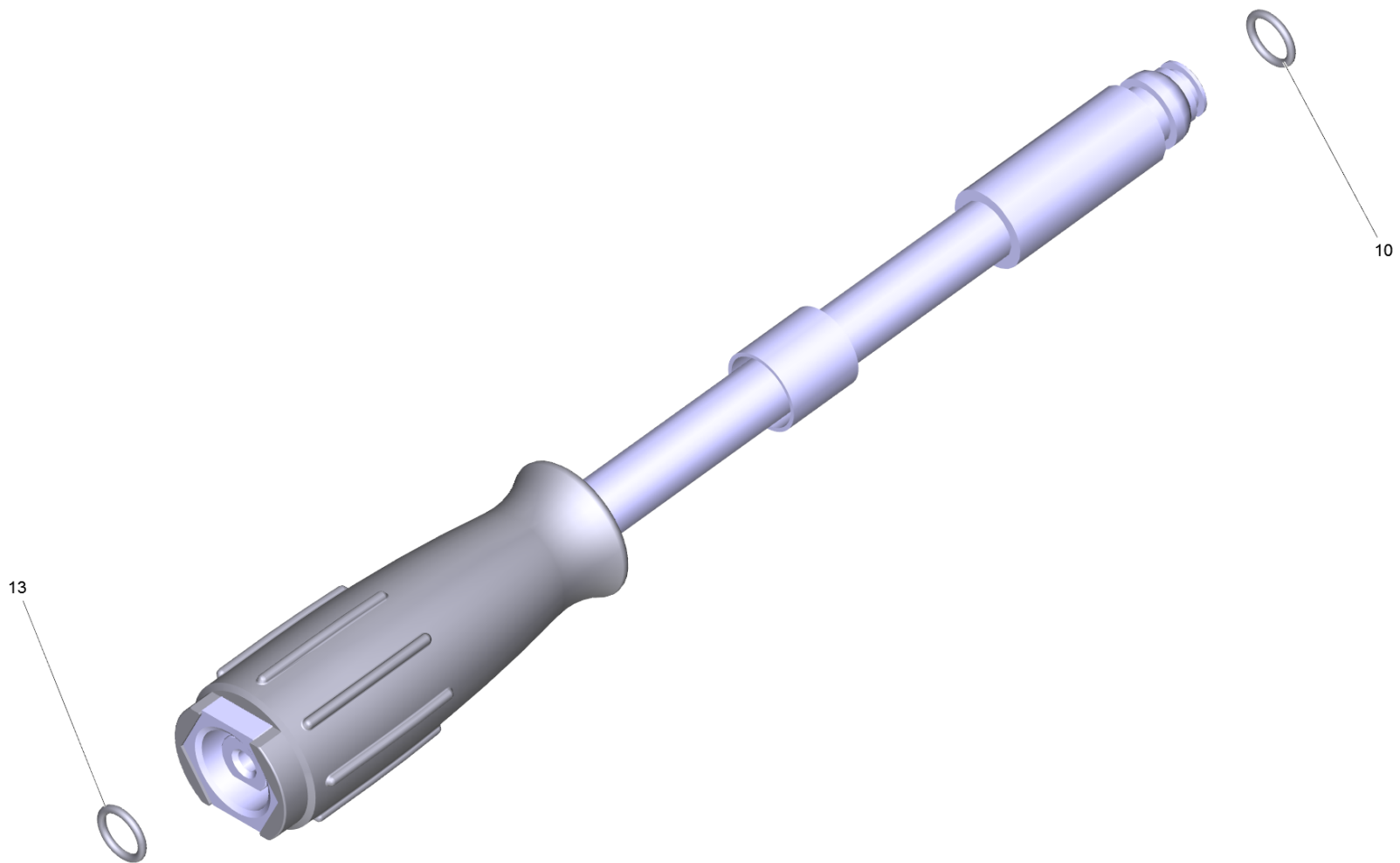
43 Hand trigger gun

POS	Article no.	Description	Quantity	Unit	Remark
7	5.322-083.0	Handhold few extended Low End	1.000	ST	
3	5.322-082.0	Handhold few hand trigger gun Low End	1.000	ST	
9	4.037-013.0	Hook	1.000	ST	
14	6.391-238.0	Hose assembly standard DN6 25MPa 10m	1.000	ST	10 m
14	6.391-394.0	Hose assembly standard DN6 25MPa 15m	1.000	ST	15 m
5	4.481-209.0	Lever complete	1.000	ST	
11	4.427-363.0	Manifold complete only for replacement L	1.000	ST	
8	5.032-801.0	Moulded part	1.000	ST	
12	4.363-691.0	O-Ring seal kpl. -nur fuer Ersatz-	1.000	ST	
10	6.368-012.0	Protecting cap 22X1,5	1.000	ST	
6	7.303-129.0	Screw 4x16 -10.9-R2R (K-In6Rd)	6.000	ST	
1	7.303-096.0	Screw 4x22 -ST-10.9-R2R (IN6RD)	7.000	ST	
4	5.110-596.0	Sleeve	1.000	ST	
2	5.481-331.0	Slider	1.000	ST	
13	2.880-990.0	Spare part set O-Ring 5x -Kaercher	1.000	ST	
0	4.775-529.0	Trigger gun	1.000	ST	



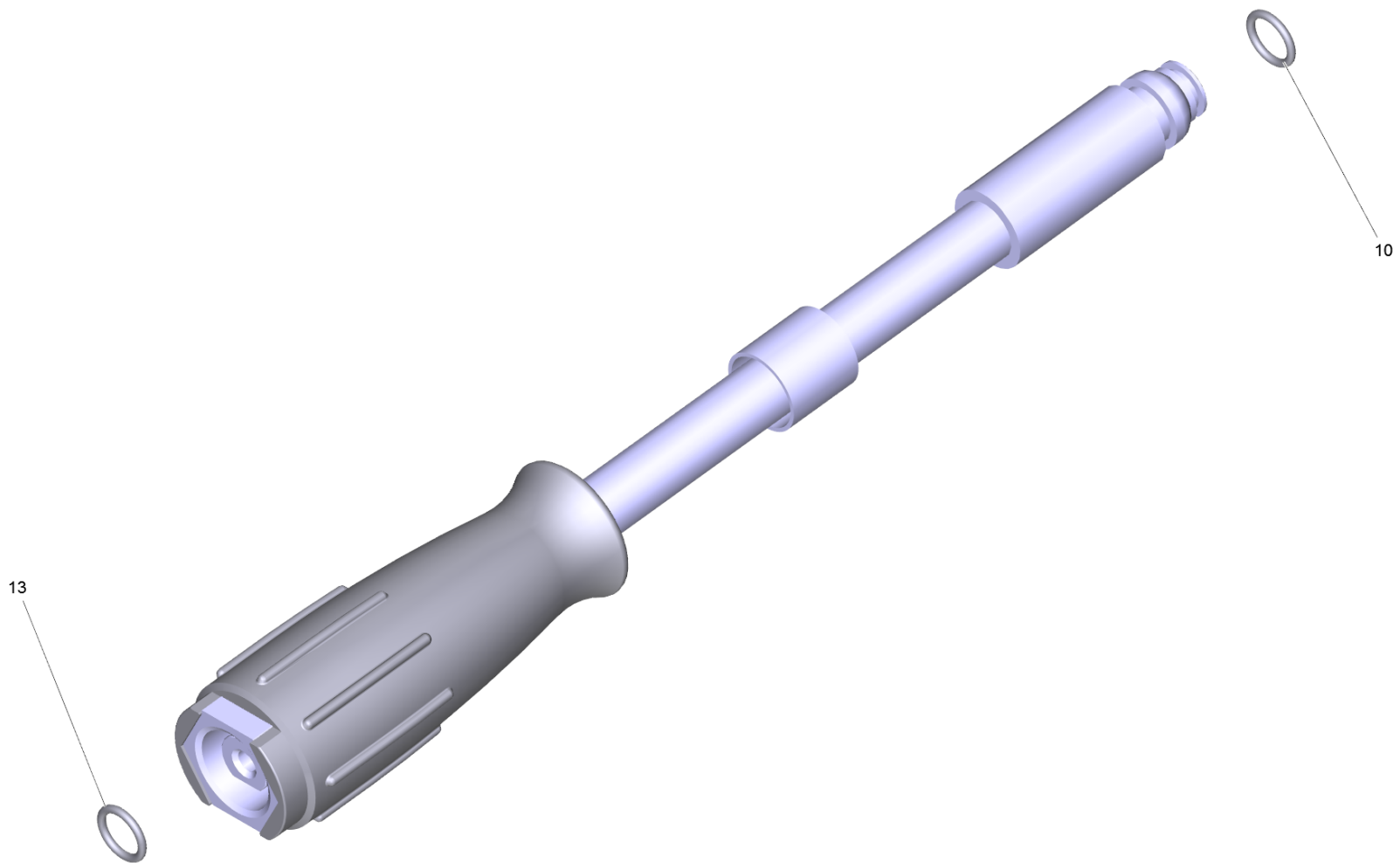
5 Lever complete (4.481-209.0)

POS	Article no.	Description	Quantity	Unit
2	5.314-119.0	Pin	2.000	ST



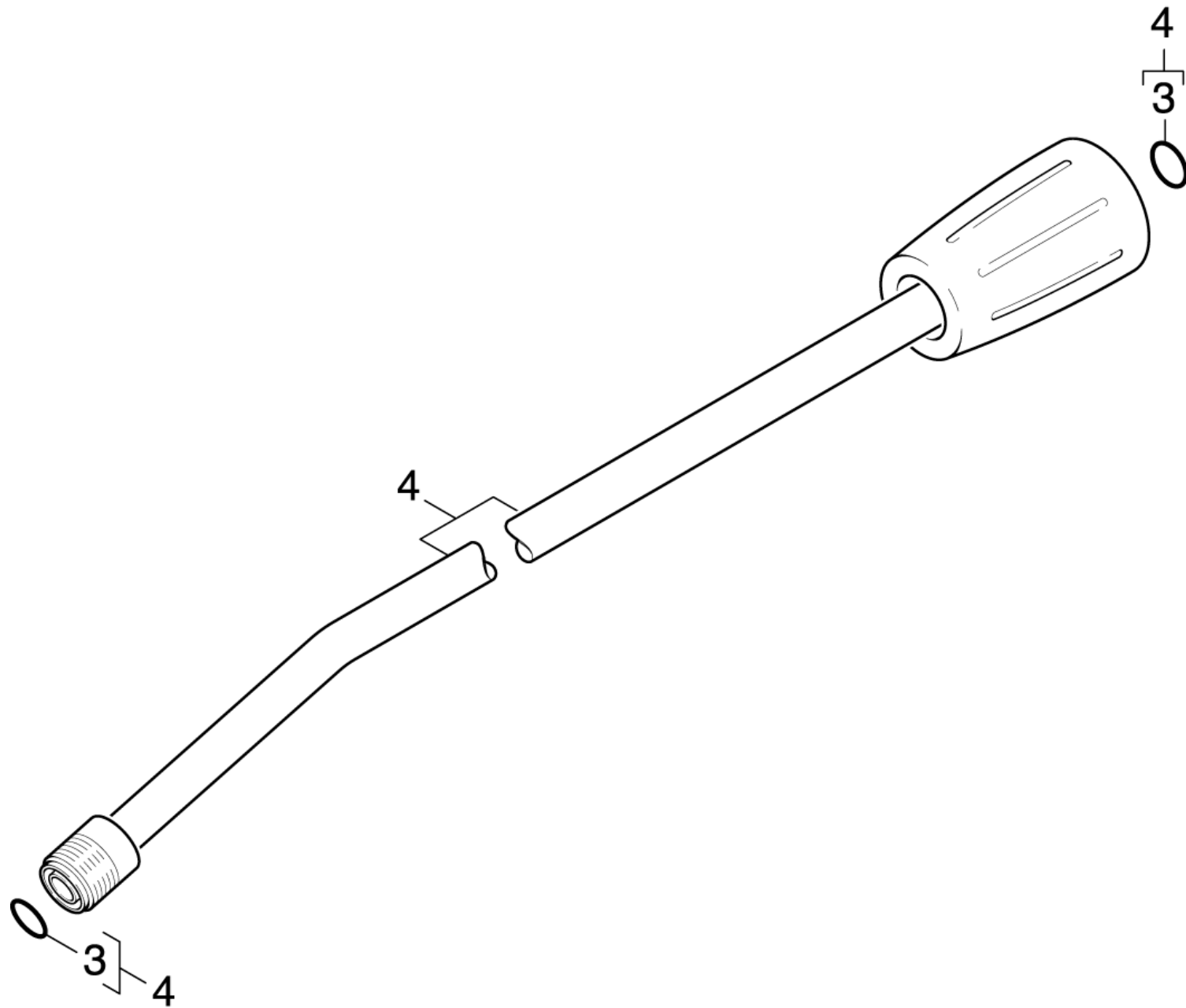
14 Hose assembly standard DN6 25MPa 10m (6.391-238.0)

POS	Article no.	Description	Quantity	Unit
10	4.363-691.0	O-Ring seal kpl. -nur fuer Ersatz-	1.000	ST
13	2.880-990.0	Spare part set O-Ring 5x -Kaercher	1.000	ST



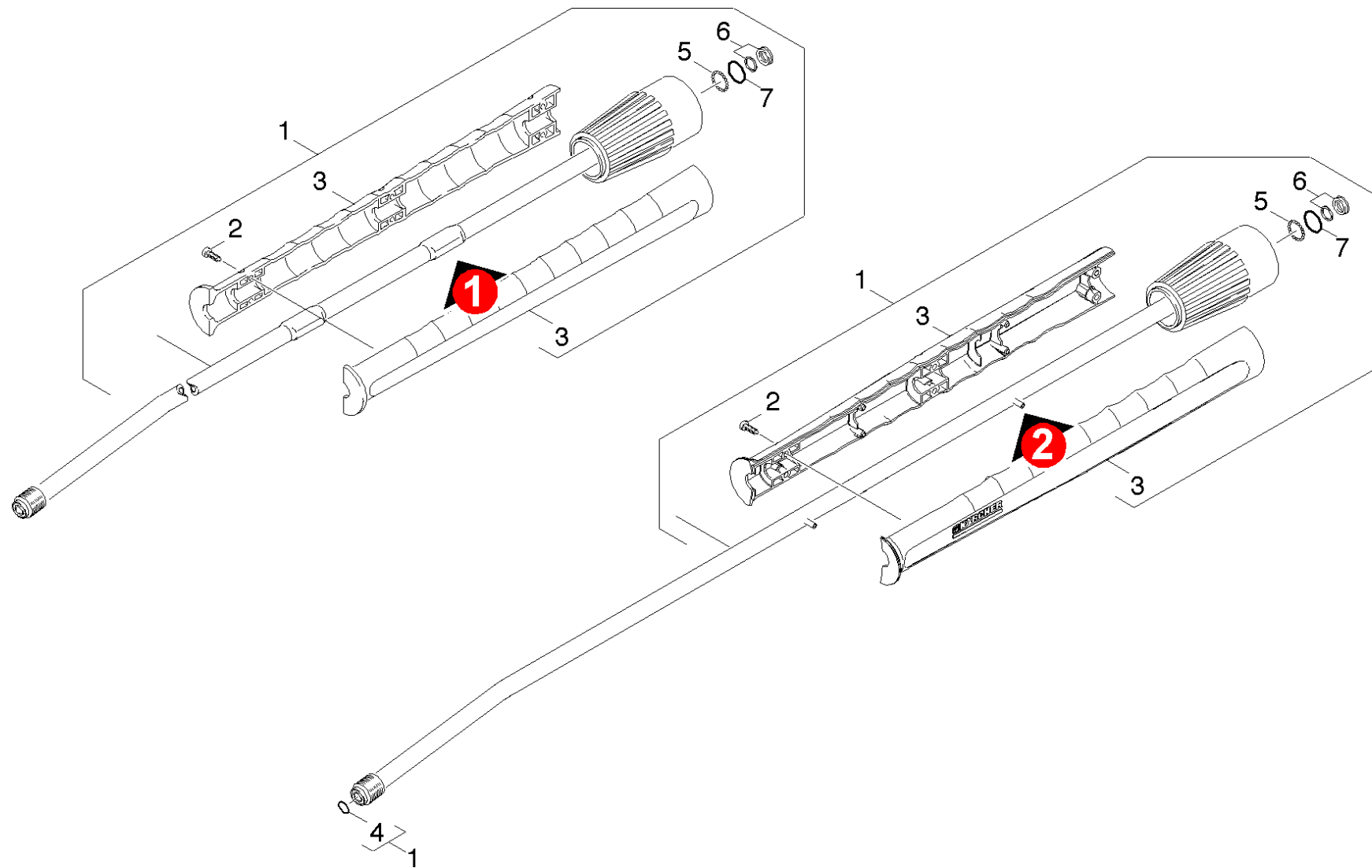
14 Hose assembly standard DN6 25MPa 15m (6.391-394.0)

POS	Article no.	Description	Quantity	Unit
10	4.363-691.0	O-Ring seal kpl. -nur fuer Ersatz-	1.000	ST
13	2.880-990.0	Spare part set O-Ring 5x -Kaercher	1.000	ST



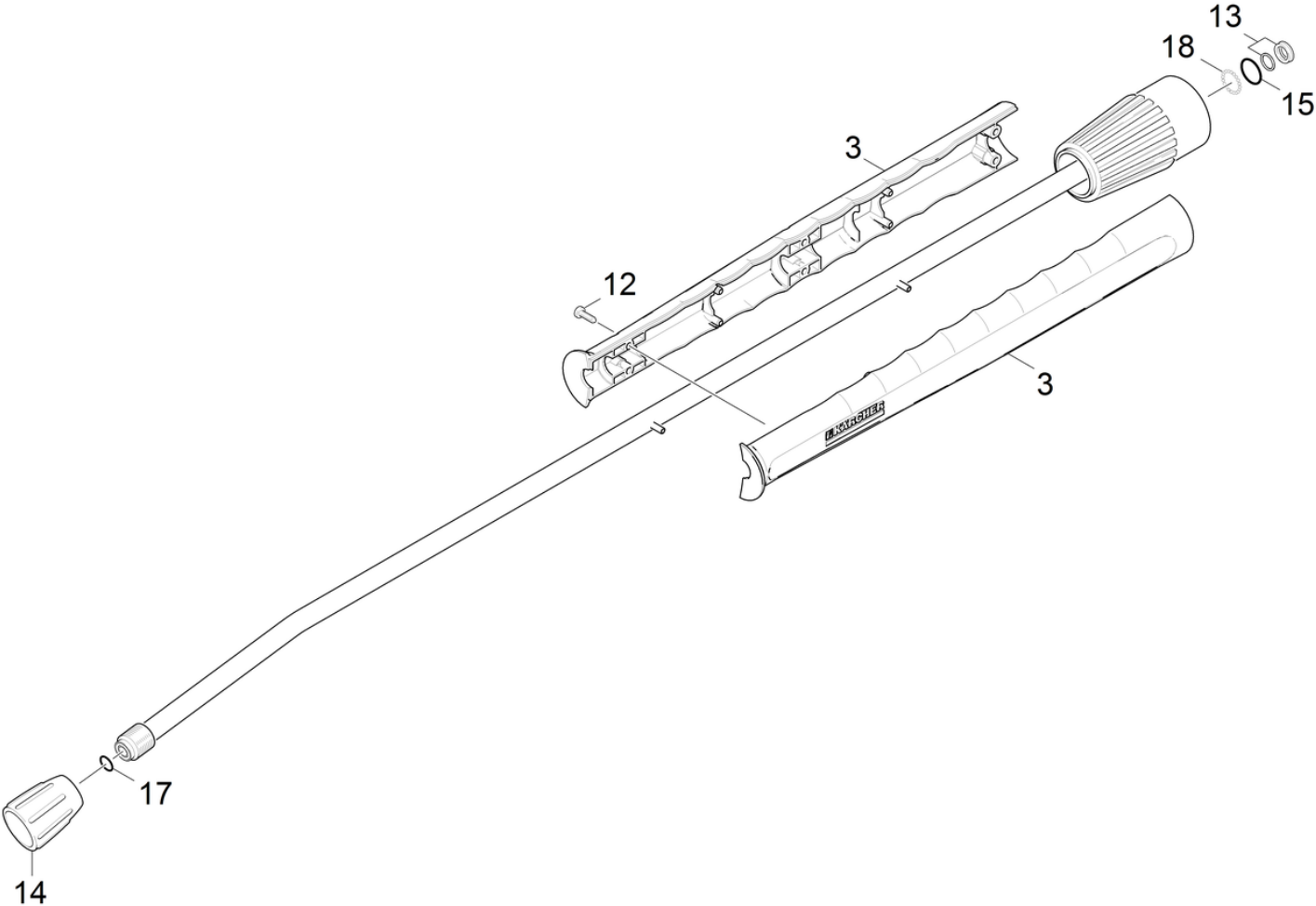
44 Jet pipe

POS	Article no.	Description	Quantity	Unit
4	4.760-665.0	Jet pipe packaged only for replacement	1.000	ST
3	2.880-990.0	Spare part set O-Ring 5x -Kaercher	1.000	ST



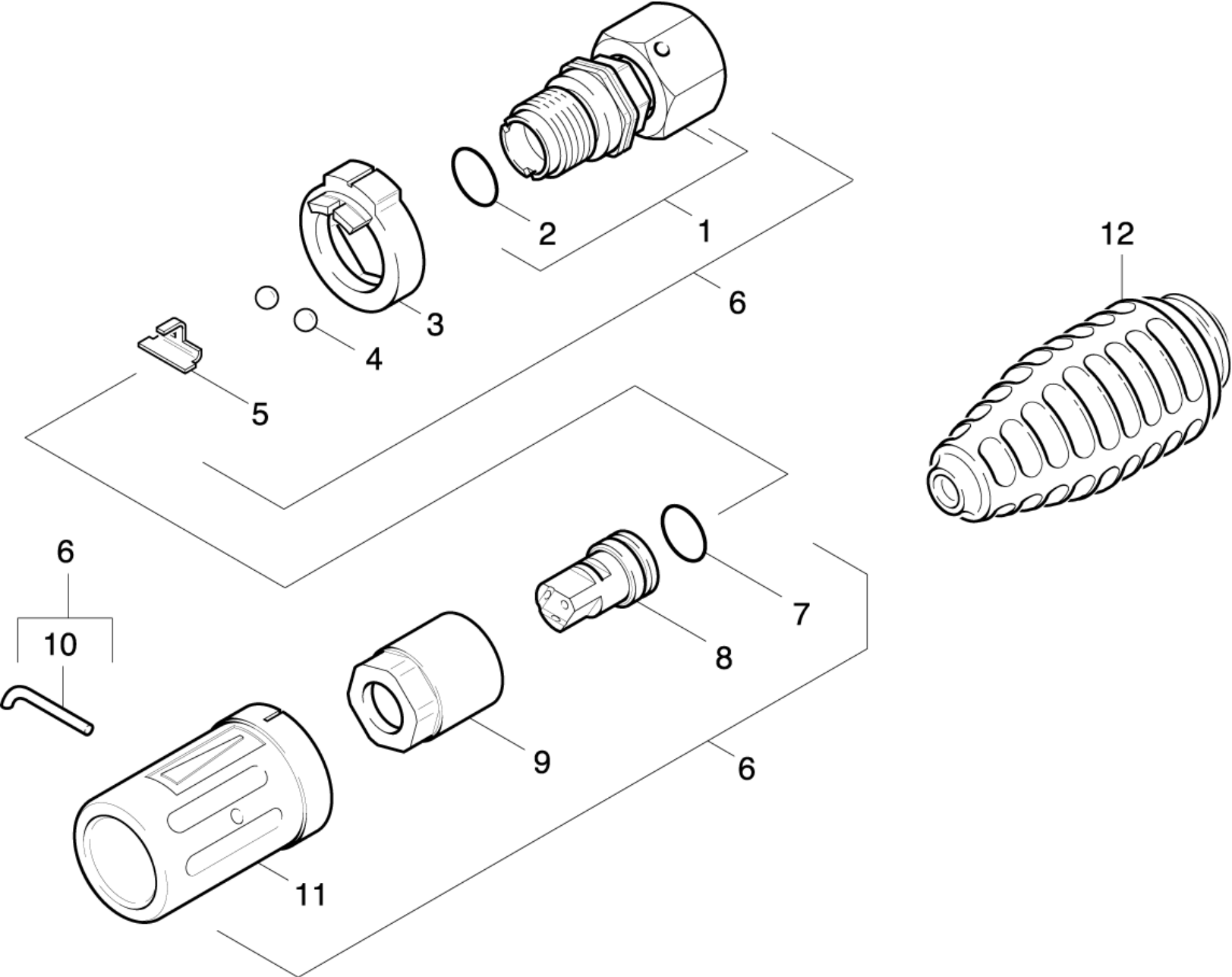
45 Jet pipe

POS	Article no.	Description	Quantity	Unit	Remark
6	4.363-692.0	Grooved ring kpl. -nur fuer Ersatz-	1.000	ST	
3	5.321-691.0	Handhold few jet pipe	1.000	ST	VERSION 1
3	5.321-855.0	Handhold few jet pipe with welding bolt	1.000	ST	VERSION 2
1	4.760-663.0	Jet pipe packaged only for replacement	1.000	ST	
7	6.362-524.0	O-Ring seal 17,0 X 1,5	1.000	ST	
2	7.303-129.0	Screw 4x16 -10.9-R2R (K-In6Rd)	6.000	ST	
4	2.880-990.0	Spare part set O-Ring 5x -Kaercher	1.000	ST	
5	7.401-915.0	Sphere 2,5 G20 -1.4034 DIN 5401	20.000	ST	



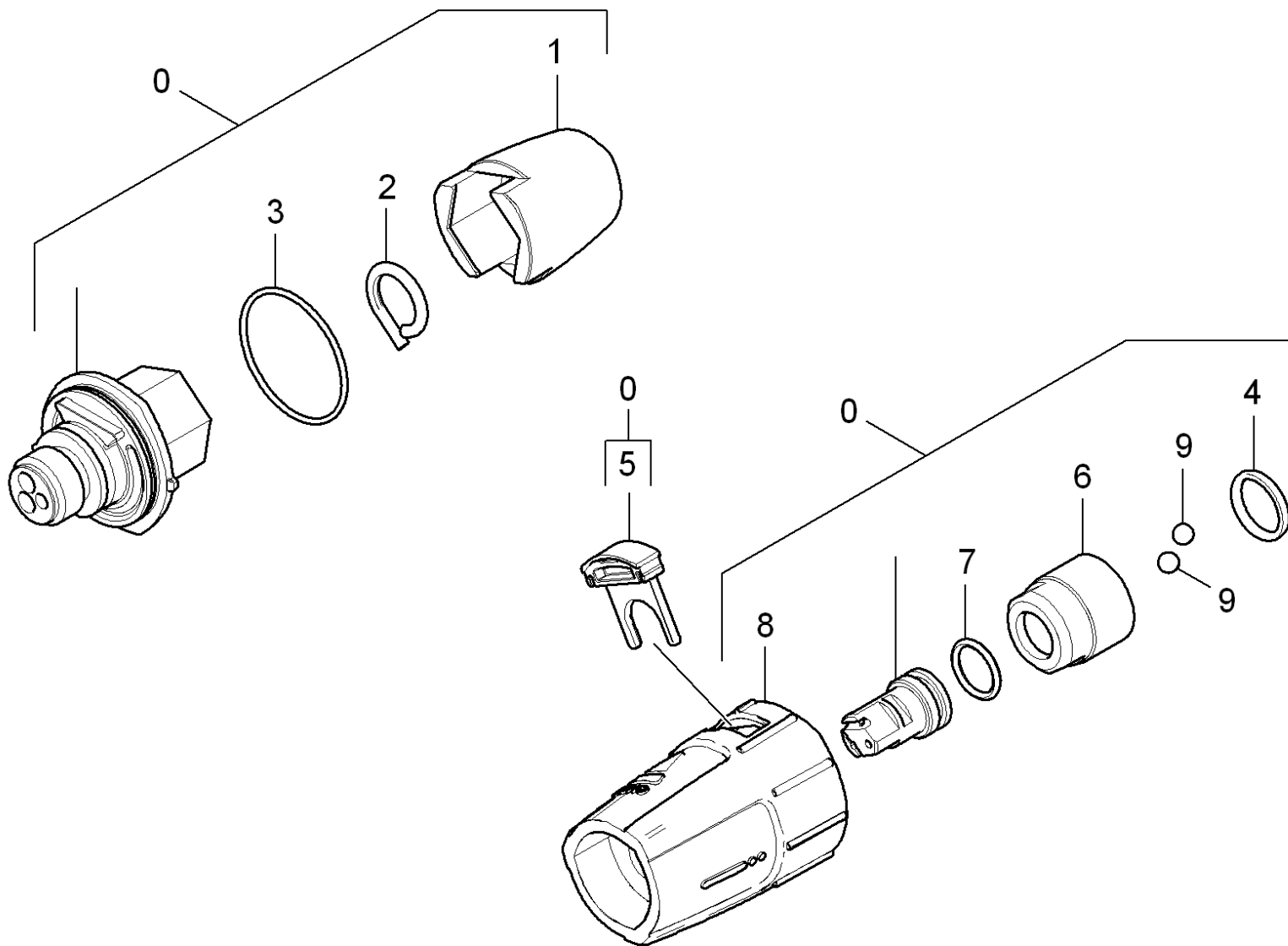
1 Jet pipe packaged only for replacement (4.760-663.0)

POS	Article no.	Description	Quantity	Unit
13	4.363-692.0	Grooved ring kpl. -nur fuer Ersatz-	1.000	ST
3	5.321-855.0	Handhold few jet pipe with welding bolt	1.000	ST
17	7.362-501.0	O-Ring seal 10x2 EPDM 70 DIN 3770	1.000	ST
15	6.362-524.0	O-Ring seal 17,0 X 1,5	1.000	ST
12	7.303-129.0	Screw 4x16 -10.9-R2R (K-In6Rd)	6.000	ST
14	5.401-210.0	Screw connector part	1.000	ST
18	7.401-915.0	Sphere 2,5 G20 -1.4034 DIN 5401	20.000	ST



46 Nozzle

POS	Article no.	Description	Quantity	Unit
12	4.767-022.0	Dirt blaster 035	1.000	ST
	Item text1: 1.514-113.0 /-507.0			
12	4.767-023.0	Dirt blaster 040	1.000	ST
	Item text1: / 1.514-103.0 / -104.0 / -105.0 / -151.0 / -203.0 / -204.0 / -205.0 / -206.0 / -251.0 / -252.0 / -255.0			
12	4.767-041.0	Dirt blaster packaged 03	1.000	ST
	Item text1: 1.514-124.0			
9	5.311-117.0	Hexagon nut	1.000	ST
5	5.042-405.0	Holder	1.000	ST
10	5.037-059.0	Hook	1.000	ST
3	5.030-528.0	Moulded part	1.000	ST
7	6.362-480.0	O-Ring seal 12,42x 1,78	1.000	ST
2	6.362-460.0	O-Ring seal 14,0 X 2,5-NBR 70	1.000	ST
11	5.394-269.0	Protection part	1.000	ST
1	4.402-042.0	Screw union	1.000	ST
4	7.401-902.0	Sphere 5 G20 -1.4034 DIN 5401	2.000	ST
6	7.777-999.0	Stockpiling discontinued	1.000	ST
8	7.777-999.0	Stockpiling discontinued	1.000	ST
	Item text1: 1.514-104.0 / -106.0 / -109.0 / -110.0			
	Item text2: / -111.0 /			
8	7.777-999.0	Stockpiling discontinued	1.000	ST
	Item text1: 1.514-101.0 / -103.0 / -151.0			
8	5.415-598.0	Triple jet nozzle 031	1.000	ST
	Item text1: 1.514-112.0 /-113.0 /-503.0			
8	5.415-602.0	Triple jet nozzle 038	1.000	ST
	Item text1: / 1.514-105.0 / -201.0 /-203.0 /-204.0 /			
	Item text2: -205.0 /-206.0 /-251.0 /-252.0 /			



47 Nozzle

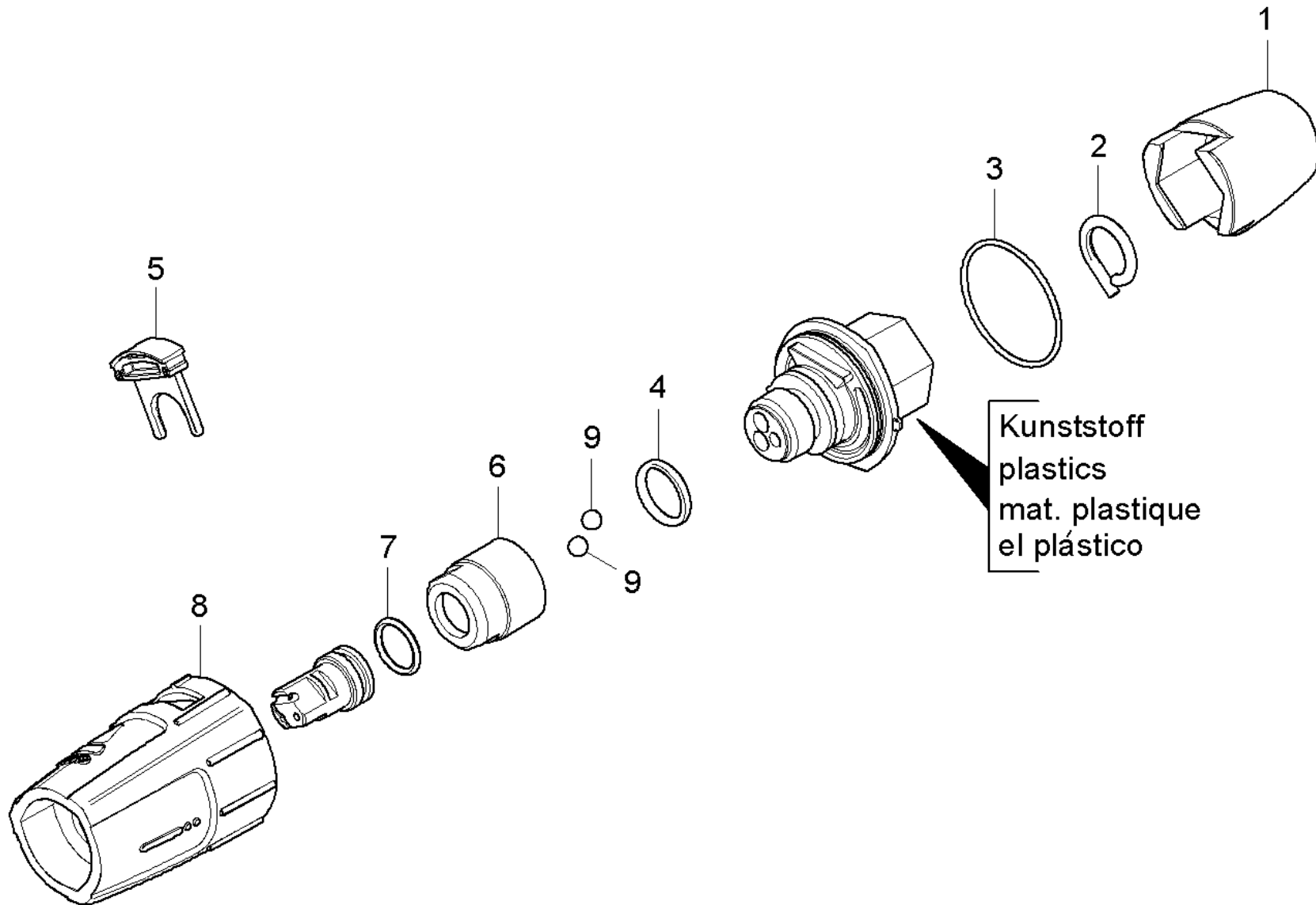
POS	Article no.	Description	Quantity	Unit
5	5.321-884.0	Clamp	1.000	ST
6	5.311-225.0	Nut	1.000	ST
7	6.362-480.0	O-Ring seal 12,42x 1,78	1.000	ST
4	6.362-460.0	O-Ring seal 14,0 X 2,5-NBR 70	1.000	ST
3	6.362-409.0	O-Ring seal 32,0 X 1,5	1.000	ST
2	6.343-150.0	Pin 03	1.000	ST
8	5.394-859.0	Protection part	1.000	ST
1	5.394-530.0	Protection part complete	1.000	ST
9	7.401-902.0	Sphere 5 G20 -1.4034 DIN 5401	2.000	ST
0	4.767-145.0	Triple jet nozzle replacement 031	1.000	ST
	Item text1: 1.514-112.0 /-113.0 /-123.0 /-124.0 /			
	Item text2: -503.0 /-508.0			
0	4.767-146.0	Triple jet nozzle replacement 033	1.000	ST
	Item text1: 1.514-507.0 /			
0	4.767-148.0	Triple jet nozzle replacement 036	1.000	ST
	Item text1: 1.514-101.0 /103.0 /-106.0 /-109.0 /-110.0 / -111.0 /-127.0 /-151.0			
0	4.767-149.0	Triple jet nozzle replacement 038	1.000	ST
	Item text1: 1.514-104.0 /-105.0 /-201.0 /-203.0 /-204.0 / -205.0 /-206.0 /-207.0 /-251.0 /-252.0 /-255.0			

Triple jet nozzle replacement 031 (4.767-145.0)

POS	Article no.	Description	Quantity	Unit
2	5.970-837.0	Spare parts list triple jet nozzle	1.000	ST

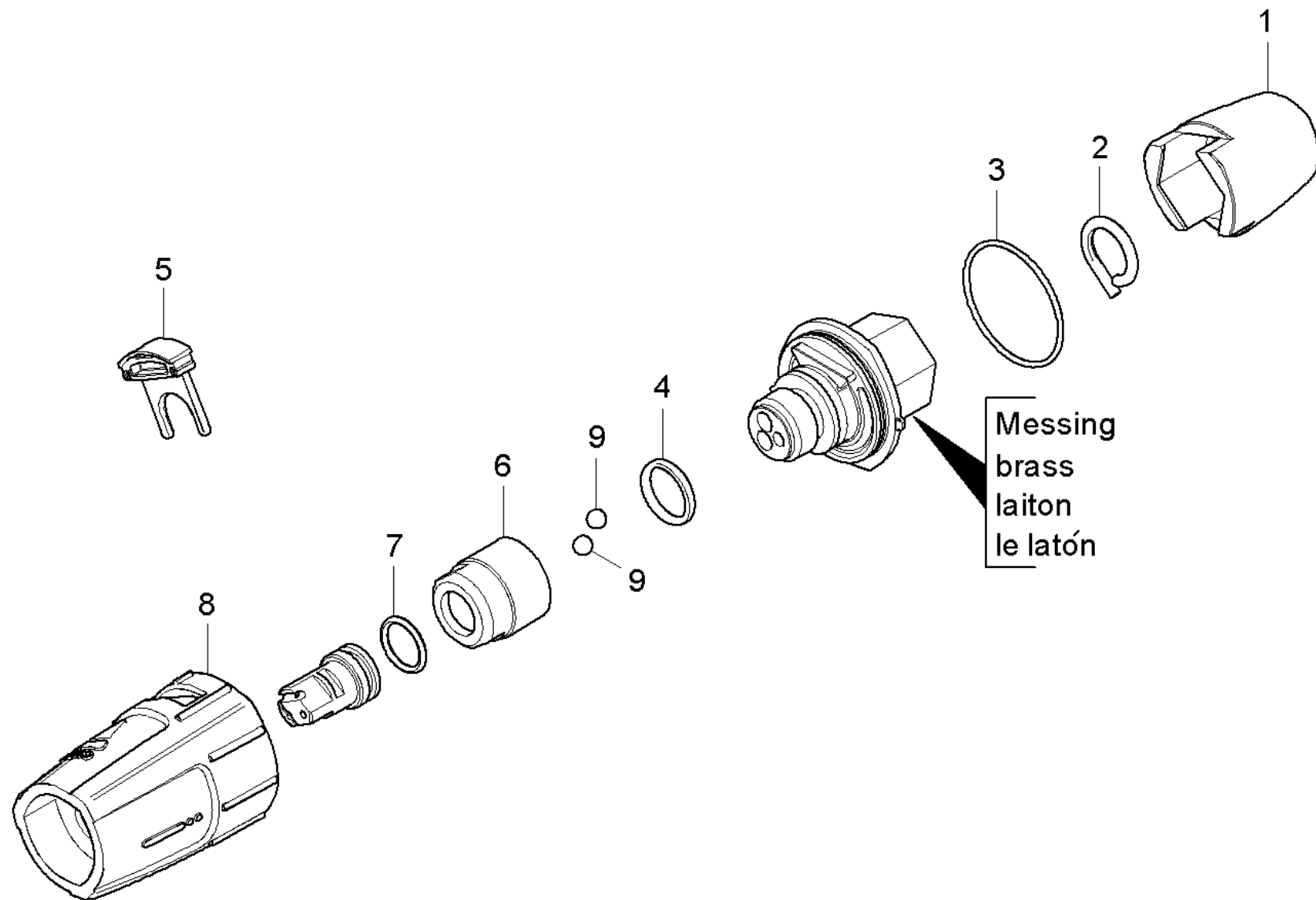
2 Spare parts list triple jet nozzle (5.970-837.0)

POS	Description	Quantity	Unit
20	Triple jet nozzle brass	1.000	ST
10	Triple jet nozzle plastics	1.000	ST



10 Triple jet nozzle plastics

POS	Article no.	Description	Quantity	Unit
5	5.321-884.0	Clamp	1.000	ST
6	5.311-236.0	Nut	1.000	ST
7	6.362-480.0	O-Ring seal 12,42x 1,78	1.000	ST
4	7.362-039.0	O-Ring seal 15,5x1,5 -NBR70 DIN 3771	1.000	ST
3	6.362-409.0	O-Ring seal 32,0 X 1,5	1.000	ST
2	6.343-150.0	Pin 03	1.000	ST
8	5.394-874.0	Protection part	1.000	ST
1	5.394-530.0	Protection part complete	1.000	ST
9	7.401-902.0	Sphere 5 G20 -1.4034 DIN 5401	2.000	ST



20 Triple jet nozzle brass

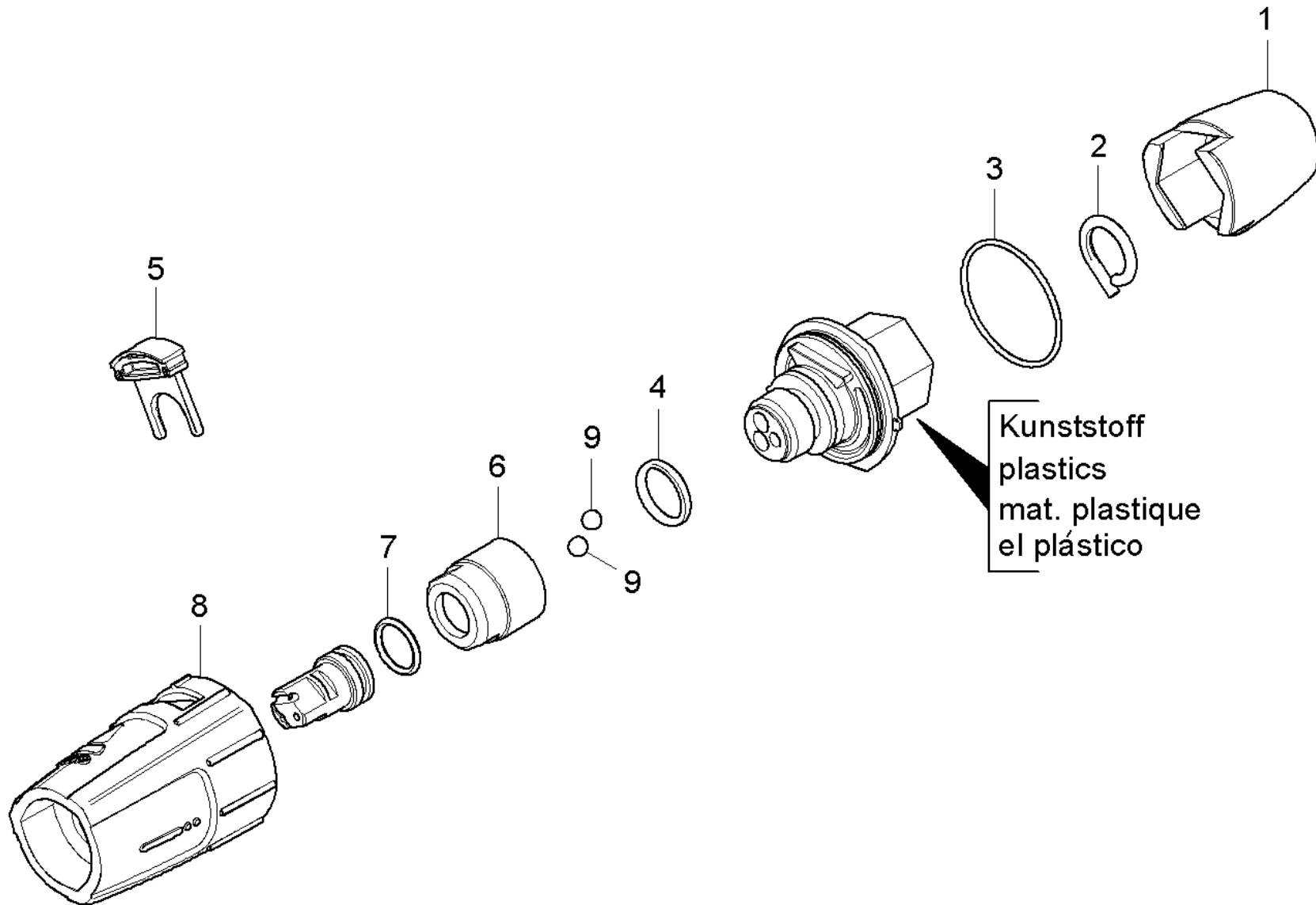
POS	Article no.	Description	Quantity	Unit
5	5.321-884.0	Clamp	1.000	ST
6	5.311-225.0	Nut	1.000	ST
7	6.362-480.0	O-Ring seal 12,42x 1,78	1.000	ST
4	6.362-460.0	O-Ring seal 14,0 X 2,5-NBR 70	1.000	ST
3	6.362-409.0	O-Ring seal 32,0 X 1,5	1.000	ST
2	6.343-150.0	Pin 03	1.000	ST
8	5.394-859.0	Protection part	1.000	ST
1	5.394-530.0	Protection part complete	1.000	ST
9	7.401-902.0	Sphere 5 G20 -1.4034 DIN 5401	2.000	ST

Triple jet nozzle replacement 033 (4.767-146.0)

POS	Article no.	Description	Quantity	Unit
2	5.970-837.0	Spare parts list triple jet nozzle	1.000	ST

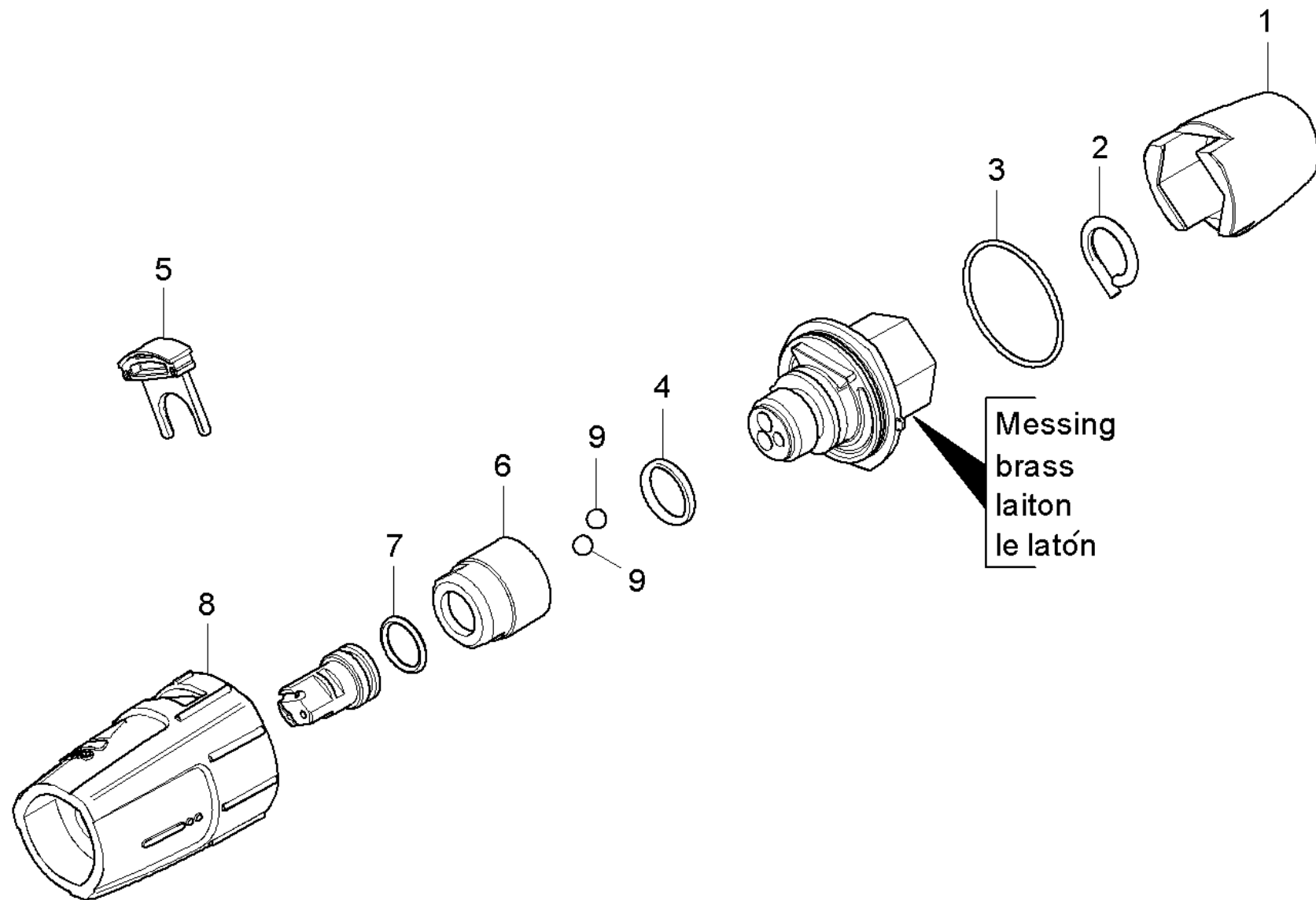
2 Spare parts list triple jet nozzle (5.970-837.0)

POS	Description	Quantity	Unit
20	Triple jet nozzle brass	1.000	ST
10	Triple jet nozzle plastics	1.000	ST



10 Triple jet nozzle plastics

POS	Article no.	Description	Quantity	Unit
5	5.321-884.0	Clamp	1.000	ST
6	5.311-236.0	Nut	1.000	ST
7	6.362-480.0	O-Ring seal 12,42x 1,78	1.000	ST
4	7.362-039.0	O-Ring seal 15,5x1,5 -NBR70 DIN 3771	1.000	ST
3	6.362-409.0	O-Ring seal 32,0 X 1,5	1.000	ST
2	6.343-150.0	Pin 03	1.000	ST
8	5.394-874.0	Protection part	1.000	ST
1	5.394-530.0	Protection part complete	1.000	ST
9	7.401-902.0	Sphere 5 G20 -1.4034 DIN 5401	2.000	ST



20 Triple jet nozzle brass

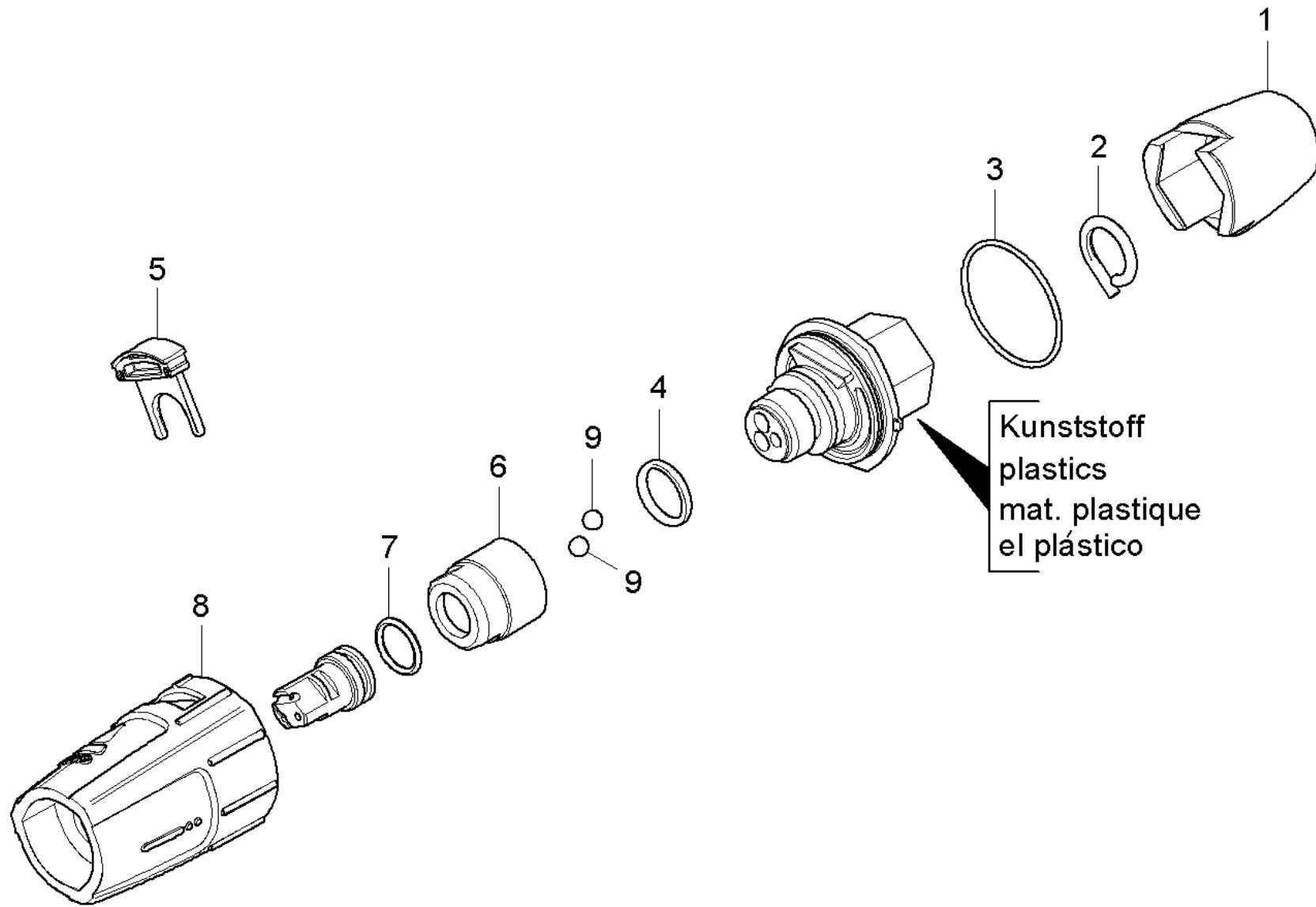
POS	Article no.	Description	Quantity	Unit
5	5.321-884.0	Clamp	1.000	ST
6	5.311-225.0	Nut	1.000	ST
7	6.362-480.0	O-Ring seal 12,42x 1,78	1.000	ST
4	6.362-460.0	O-Ring seal 14,0 X 2,5-NBR 70	1.000	ST
3	6.362-409.0	O-Ring seal 32,0 X 1,5	1.000	ST
2	6.343-150.0	Pin 03	1.000	ST
8	5.394-859.0	Protection part	1.000	ST
1	5.394-530.0	Protection part complete	1.000	ST
9	7.401-902.0	Sphere 5 G20 -1.4034 DIN 5401	2.000	ST

Triple jet nozzle replacement 036 (4.767-148.0)

POS	Article no.	Description	Quantity	Unit
2	5.970-837.0	Spare parts list triple jet nozzle	1.000	ST

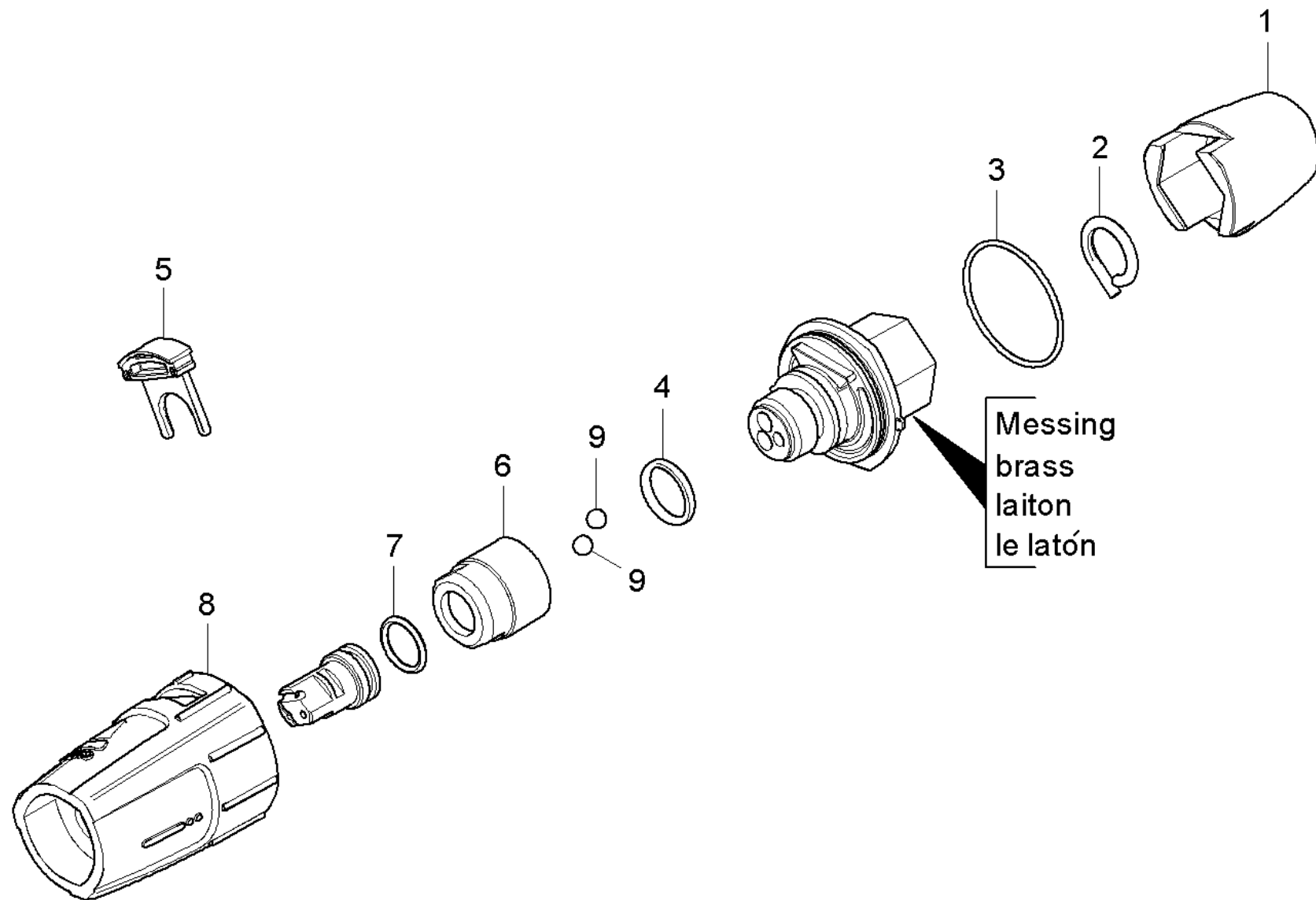
2 Spare parts list triple jet nozzle (5.970-837.0)

POS	Description	Quantity	Unit
20	Triple jet nozzle brass	1.000	ST
10	Triple jet nozzle plastics	1.000	ST



10 Triple jet nozzle plastics

POS	Article no.	Description	Quantity	Unit
5	5.321-884.0	Clamp	1.000	ST
6	5.311-236.0	Nut	1.000	ST
7	6.362-480.0	O-Ring seal 12,42x 1,78	1.000	ST
4	7.362-039.0	O-Ring seal 15,5x1,5 -NBR70 DIN 3771	1.000	ST
3	6.362-409.0	O-Ring seal 32,0 X 1,5	1.000	ST
2	6.343-150.0	Pin 03	1.000	ST
8	5.394-874.0	Protection part	1.000	ST
1	5.394-530.0	Protection part complete	1.000	ST
9	7.401-902.0	Sphere 5 G20 -1.4034 DIN 5401	2.000	ST



20 Triple jet nozzle brass

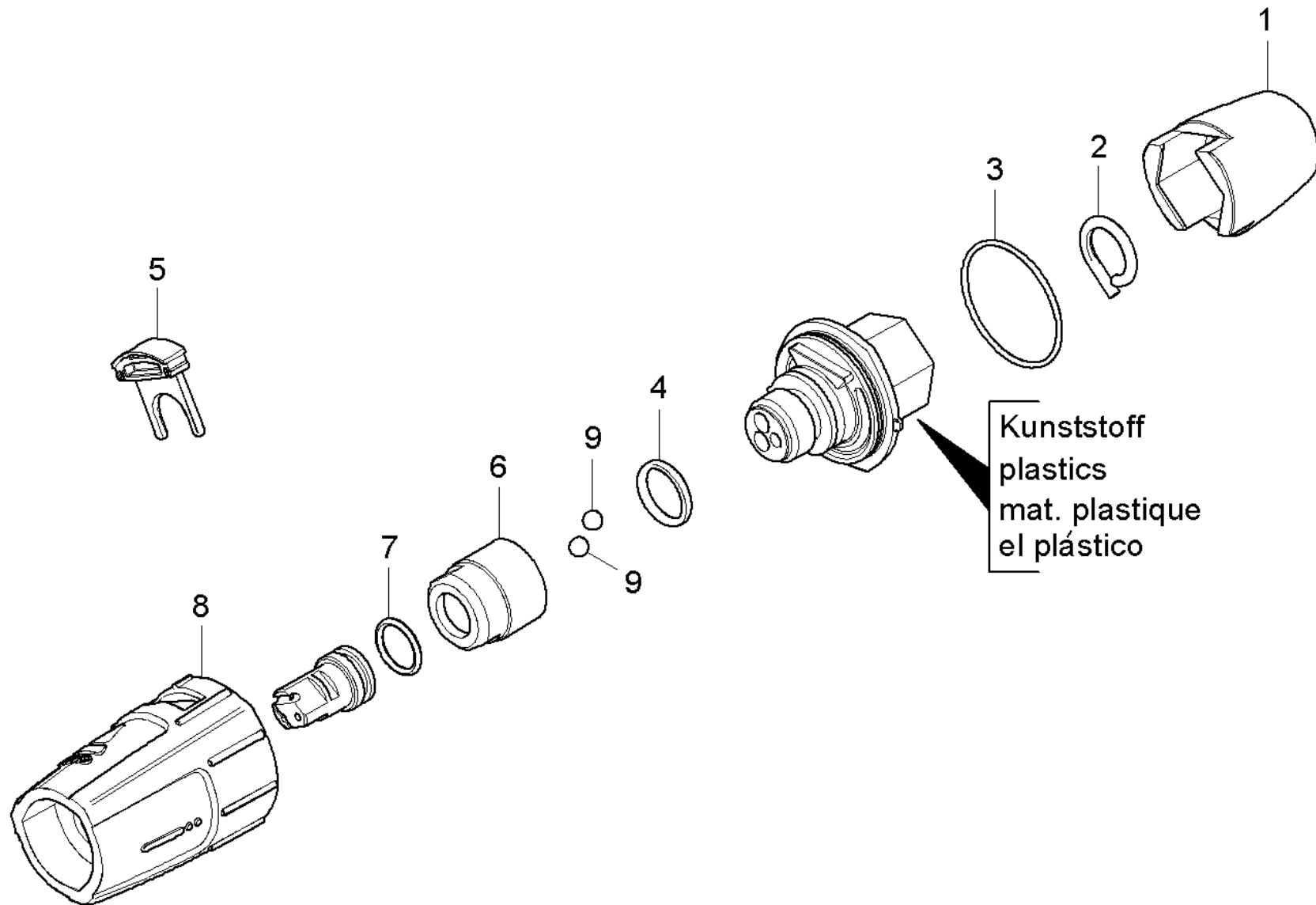
POS	Article no.	Description	Quantity	Unit
5	5.321-884.0	Clamp	1.000	ST
6	5.311-225.0	Nut	1.000	ST
7	6.362-480.0	O-Ring seal 12,42x 1,78	1.000	ST
4	6.362-460.0	O-Ring seal 14,0 X 2,5-NBR 70	1.000	ST
3	6.362-409.0	O-Ring seal 32,0 X 1,5	1.000	ST
2	6.343-150.0	Pin 03	1.000	ST
8	5.394-859.0	Protection part	1.000	ST
1	5.394-530.0	Protection part complete	1.000	ST
9	7.401-902.0	Sphere 5 G20 -1.4034 DIN 5401	2.000	ST

Triple jet nozzle replacement 038 (4.767-149.0)

POS	Article no.	Description	Quantity	Unit
2	5.970-837.0	Spare parts list triple jet nozzle	1.000	ST

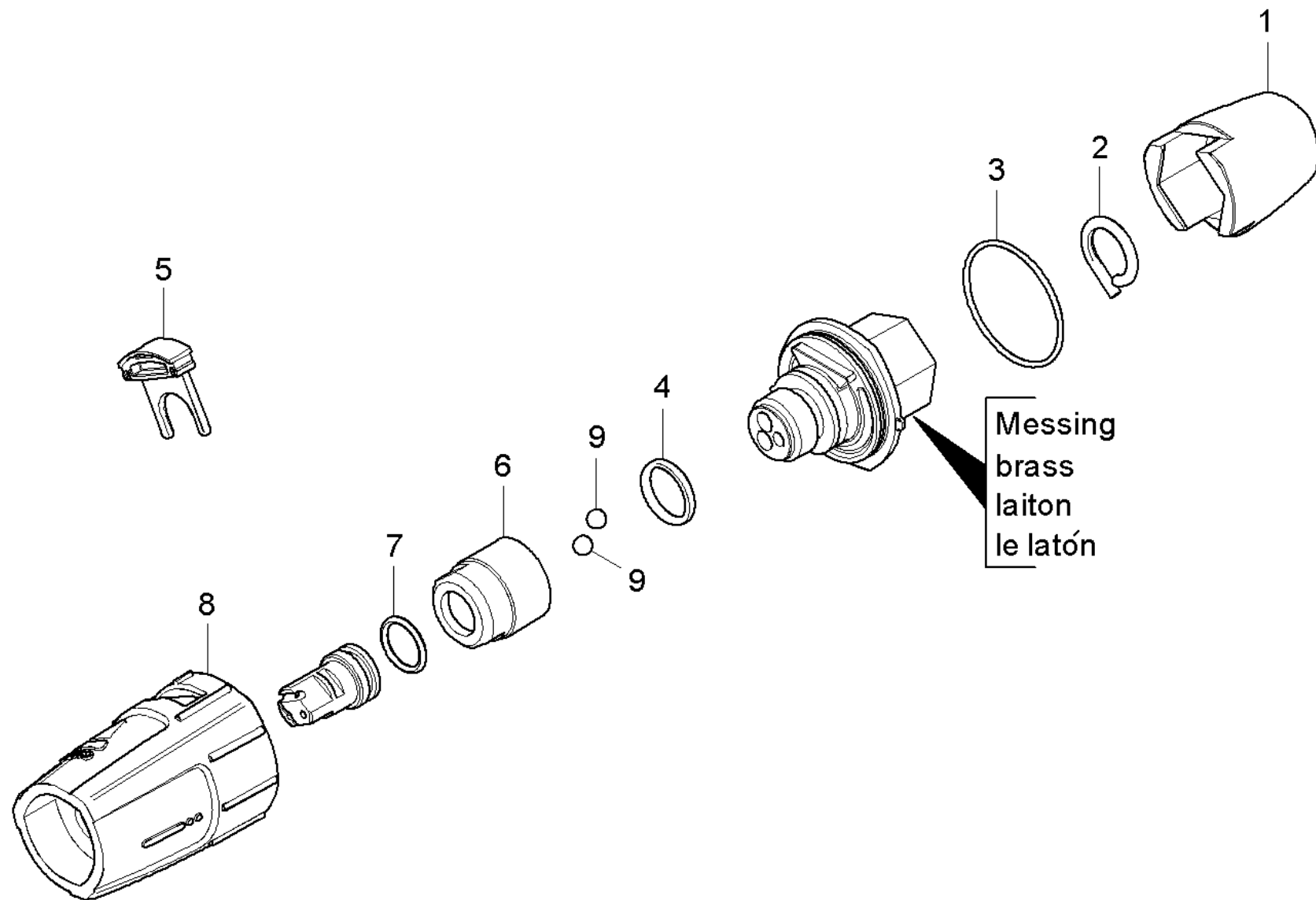
2 Spare parts list triple jet nozzle (5.970-837.0)

POS	Description	Quantity	Unit
20	Triple jet nozzle brass	1.000	ST
10	Triple jet nozzle plastics	1.000	ST



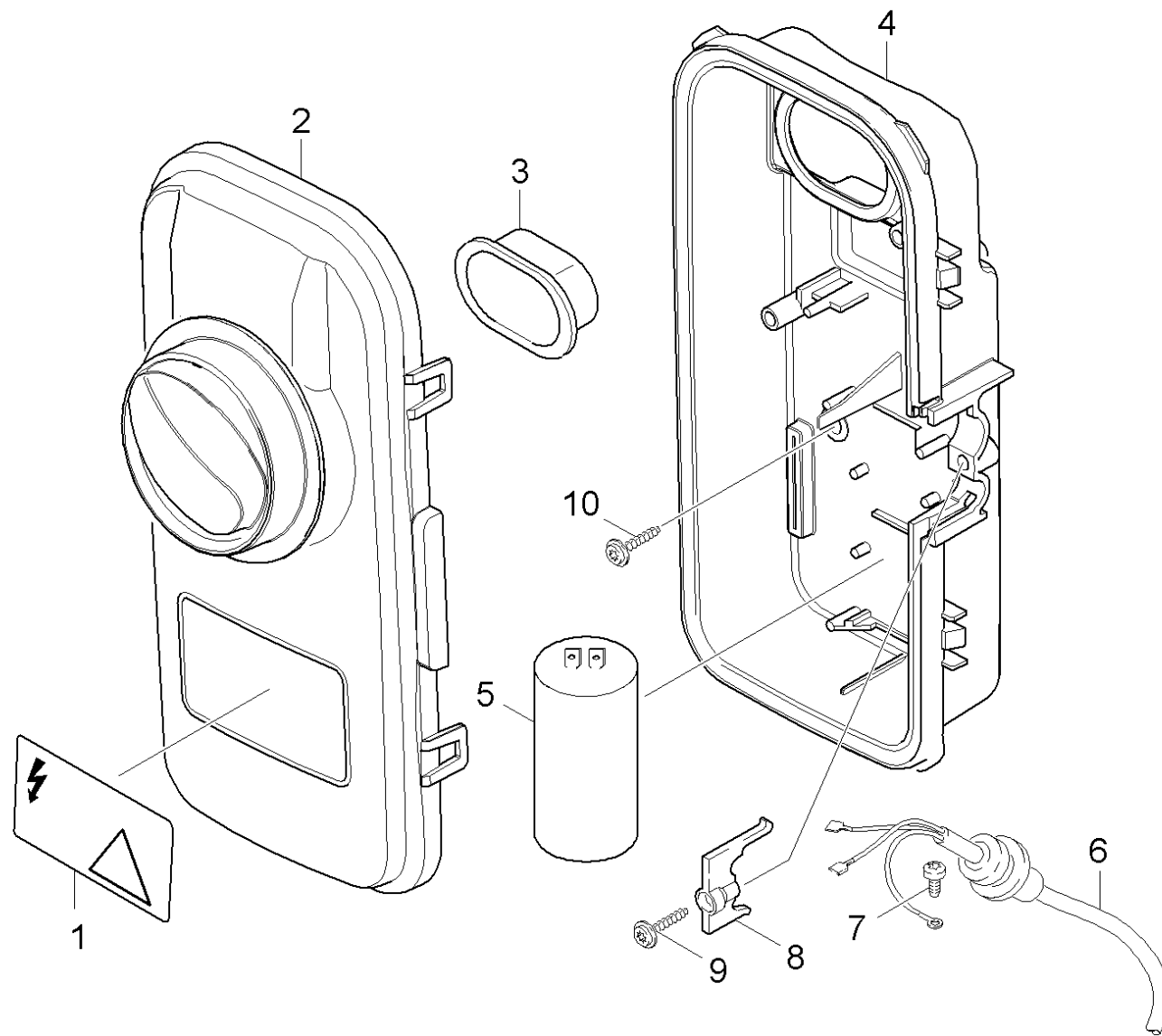
10 Triple jet nozzle plastics

POS	Article no.	Description	Quantity	Unit
5	5.321-884.0	Clamp	1.000	ST
6	5.311-236.0	Nut	1.000	ST
7	6.362-480.0	O-Ring seal 12,42x 1,78	1.000	ST
4	7.362-039.0	O-Ring seal 15,5x1,5 -NBR70 DIN 3771	1.000	ST
3	6.362-409.0	O-Ring seal 32,0 X 1,5	1.000	ST
2	6.343-150.0	Pin 03	1.000	ST
8	5.394-874.0	Protection part	1.000	ST
1	5.394-530.0	Protection part complete	1.000	ST
9	7.401-902.0	Sphere 5 G20 -1.4034 DIN 5401	2.000	ST



20 Triple jet nozzle brass

POS	Article no.	Description	Quantity	Unit
5	5.321-884.0	Clamp	1.000	ST
6	5.311-225.0	Nut	1.000	ST
7	6.362-480.0	O-Ring seal 12,42x 1,78	1.000	ST
4	6.362-460.0	O-Ring seal 14,0 X 2,5-NBR 70	1.000	ST
3	6.362-409.0	O-Ring seal 32,0 X 1,5	1.000	ST
2	6.343-150.0	Pin 03	1.000	ST
8	5.394-859.0	Protection part	1.000	ST
1	5.394-530.0	Protection part complete	1.000	ST
9	7.401-902.0	Sphere 5 G20 -1.4034 DIN 5401	2.000	ST



50 Electric box

POS	Article no.	Description	Quantity	Unit	Remark
6	6.649-292.0	Cable with plug	1.000	ST	
	Item text1: / 1.514-111.0				
6	6.648-906.3	Cable with plug	1.000	ST	(EUR)
	Item text1: 1.514-101.0 /-109.0 /-110.0 /-112.0 /-113.0 /-123.0 /-124.0 /-151.0 /-201.0 /-204.0 /-205.0 /-206.0 /-251.0 /-252.0 /-255.0 /-503.0 /-508.0				
6	6.648-979.0	Cable with plug *AUS	1.000	ST	(AU)
	Item text1: / 1.514-105.0				
6	6.648-980.0	Cable with plug *CDN	1.000	ST	(CSA)
	Item text1: / 1.514-106.0				
6	6.648-977.0	Cable with plug *GB	1.000	ST	(GB)
	Item text1: / 1.514-103.0 /-127.0 /-203.0 /-207.0				
	Item text2: /-507.0				
6	6.649-943.0	Cable with plug CH	1.000	ST	(CH)
	Item text1: / 1.514-104.0				
5	6.661-129.0	Capacitor 25MF	1.000	ST	25 mF
	Item text1: /1.514-101.0/-103.0/-104.0/-105.0 /-109.0 /-112.0 /-113.0 /-123.0 /-124.0 /-151.0 /-201.0 /-203.0 /-251.0 /-252.0 /-255.0 /-503.0 /-507.0 /-508.0				
5	6.661-132.0	Capacitor 35MF	1.000	ST	35 mF
5	6.661-298.0	Capacitor 40µf	1.000	ST	40 mF
5	6.661-237.0	Capacitor 70µF	1.000	ST	70 mF
4	5.061-084.0	Housing	1.000	ST	
	Item text1: / 1.514-106.0 / -111.0				
4	5.061-000.0	Housing	1.000	ST	
	Item text1: 1.514-101.0 /-103.0 /-104.0 /-105.0 / -110.0 /-112.0 /-113.0 /-123.0 /-124.0 /-127.0 /-151.0 /-201.0 /-203.0 /-204.0 /-205.0 /-206.0 /-207.0 /-251.0 /-252.0 /-255.0 /-503.0 /-507.0 /-508.0				
1	5.388-512.0	Label	1.000	ST	
3	5.365-181.0	Profile gasket	1.000	ST	
9	6.303-200.0	Screw 5x25-IN6RD	1.000	ST	
7	7.303-031.0	Screw M4x10 -St-P2R (In6Rd)	1.000	ST	
10	6.303-153.0	Screw M5x15-ST-R2R (IN6RD)	3.000	ST	
2	4.744-266.0	Switch complete	1.000	ST	
	Item text1: 1.514-112.0 /-113.0 /-123.0 /-124.0 /-201.0 /-203.0 /-204.0 / -205.0 /-206.0 /-207.0 /-251.0 /-252.0 /-255.0 /-503.0 /-507.0 /-508.0				
2	4.744-200.0	Switch complete	1.000	ST	
	Item text1: / 1.514-106.0 / -111.0				
2	4.744-166.0	Switch complete	1.000	ST	

50 Electric box

POS	Article no.	Description	Quantity	Unit	Remark
	Item text1: 1.514-101.0 / -103.0 / -104.0 / -105.0 /				
	Item text2: 1.514-109.0 / -110.0 / -127.0 /-151.0 /				
8	5.263-051.0	Tensioning part	1.000	ST	