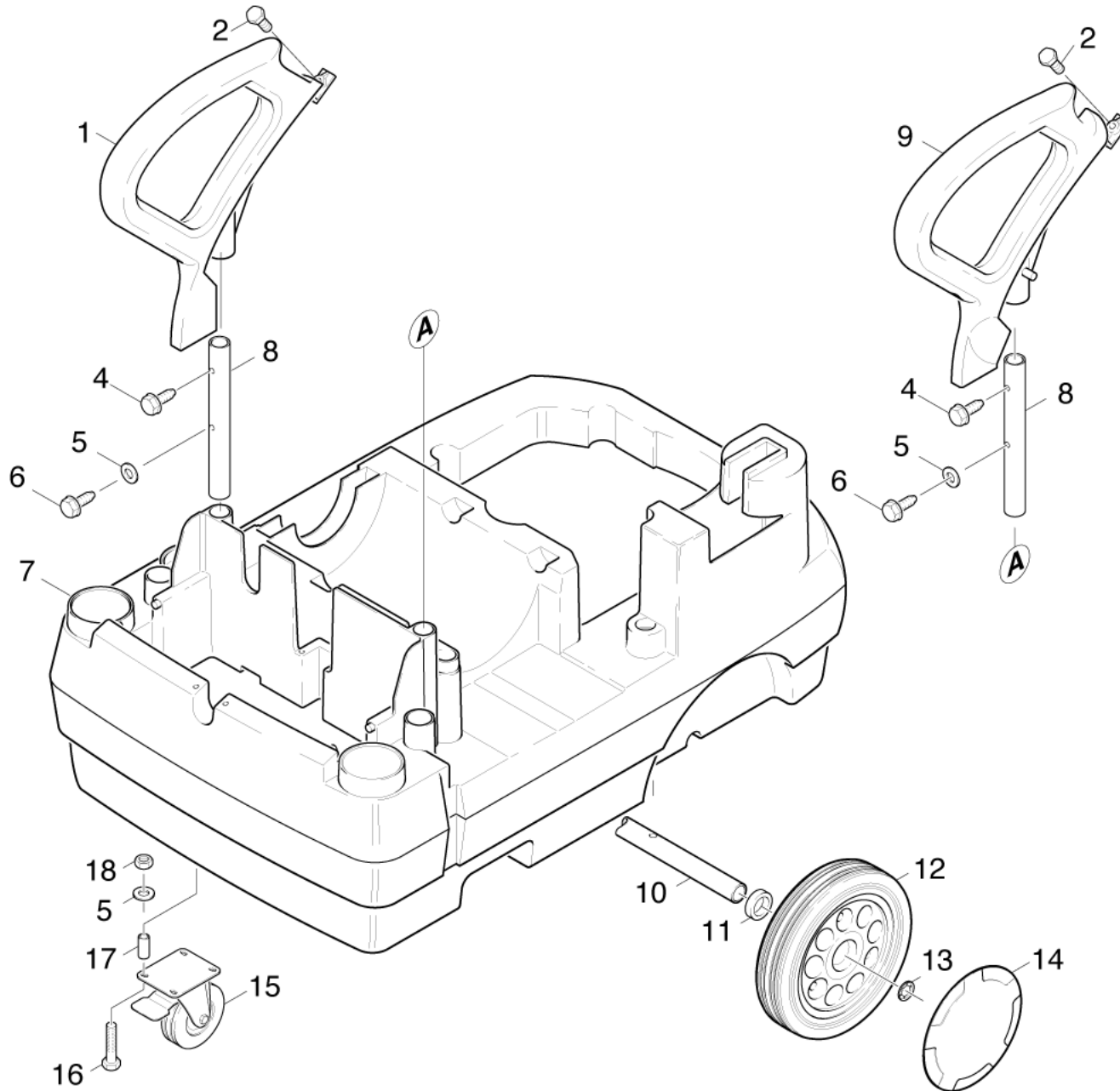


12 Frame

Professional \ High pressure cleaner hotwater \ Electric motor \ HDS 798 C *EU \ Spare parts list HDS 798 C \ Individual parts \ Frame



12 Frame

Professional \ High pressure cleaner hotwater \ Electric motor \ HDS 798 C *EU \ Spare parts list HDS 798 C \ Individual parts \ Frame

KÄRCHER

POS	Article no.	Description	Quantity	Unit
1	5.321-580.0	Handhold left	1.000	ST
2	7.303-114.0	Screw 6 x 35-ST-10.9-R2R (IN6RD)	2.000	ST
4	6.303-305.0	Screw M8x40	2.000	ST
5	7.312-277.0	Washer 8-200HV-A2E ISO7093-1	6.000	ST
6	6.303-191.0	Screw M8x30-ST-A2R DIN 7500-1	2.000	ST
7	4.050-436.3	Frame tank	1.000	ST
8	5.321-582.0	Tube handhold	2.000	ST
9	5.321-576.0	Handhold right	1.000	ST
10	5.105-298.0	Axle	1.000	ST
11	5.110-773.0	Sleeve	2.000	ST
12	6.435-312.0	Wheel D250	2.000	ST
13	6.343-217.0	Clamping washer D25	2.000	ST
14	6.435-197.0	Wheel cap zinc yellow	2.000	ST
15	6.435-116.0	Castor	1.000	ST
16	7.304-407.0	Hexagonal head screw M 8x45-8.8-A2E ISO	4.000	ST
17	5.110-778.0	Sleeve	4.000	ST
18	7.311-004.0	Hexagon nut M8 -8-A3E ISO 4032	4.000	ST