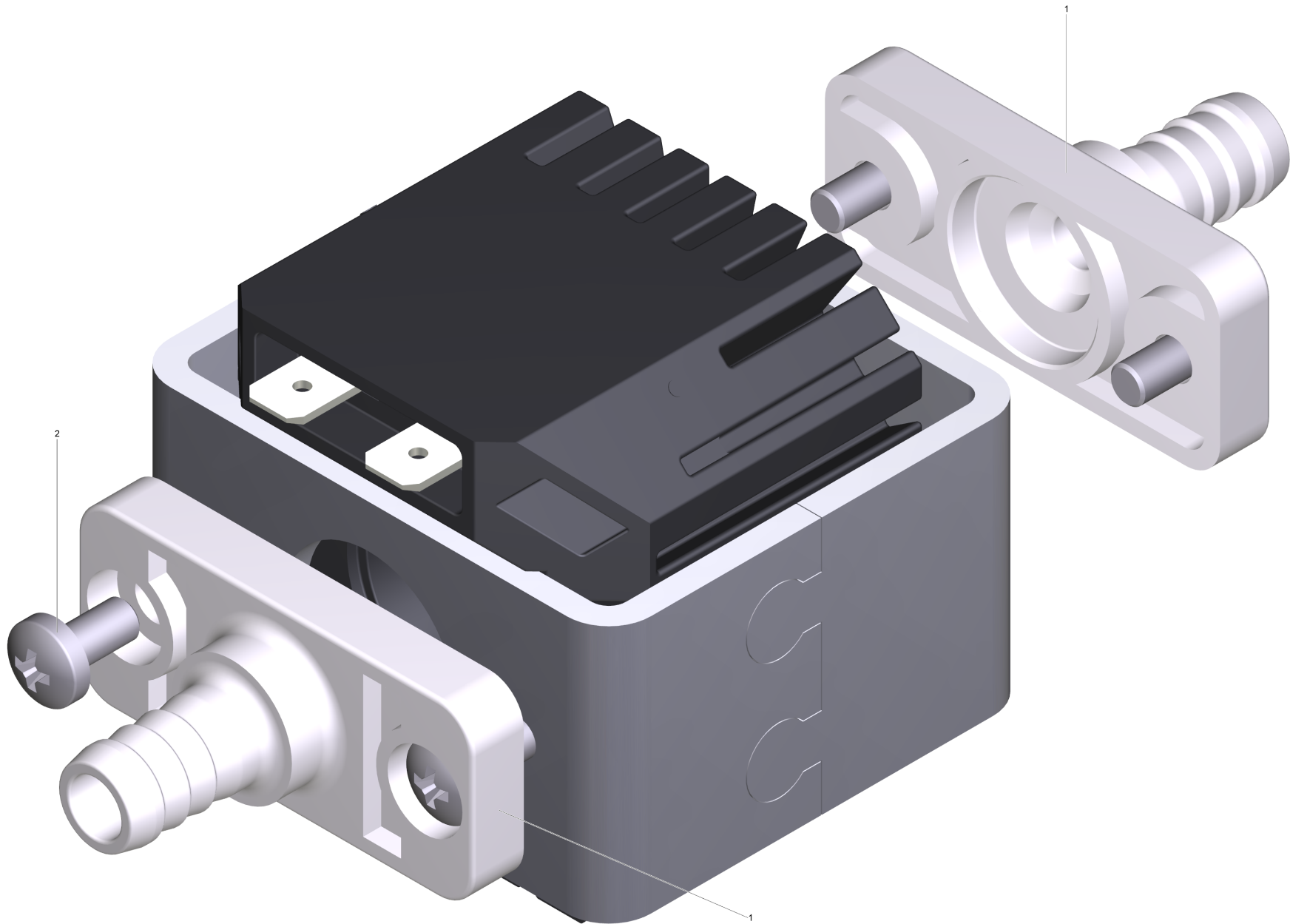


80 Pump for replacement 230V-GOTEC (4.610-102.0)

Home and Garden \ Spray extraction \ PUZZI 10/2 220V \ Puzzi 10/2 Adv *EU \ Chassis + turbine \ Pump for replacement 230V-GOTEC



80 Pump for replacement 230V-GOTEC (4.610-102.0)

Home and Garden \ Spray extraction \ PUZZI 10/2 220V \ Puzzi 10/2 Adv *EU \ Chassis + turbine \ Pump for replacement 230V-GOTEC



POS	Article no.	Description	Quantity	Unit
1	5.443-439.0	Hose stem D9,5	2	PC
2	7.306-236.0	Screw M4x6 -8.8 (In6Rd)	4	PC