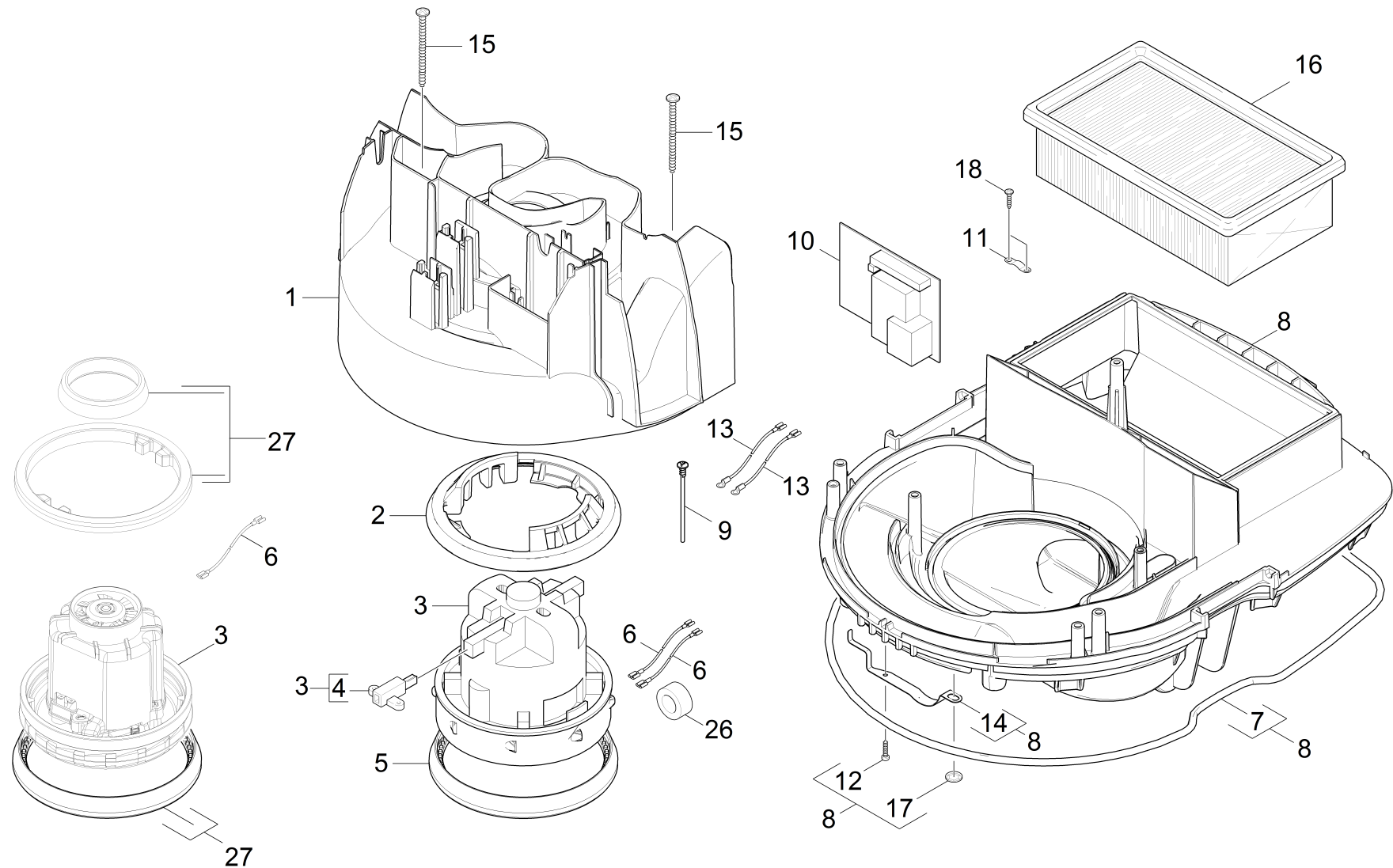


## 20 Turbine

Overview technical documents/Professional/Vacuum cleaner/Wet-/dry vacuum cleaner/NT 55/1 Tact \*EU (1.146-820.0)/Spare parts list NT 55/1 Tact \*EU/20 Turbine



## 20 Turbine

Overview technical documents/Professional/Vacuum cleaner/Wet-dry vacuum cleaner/NT 55/1 Tact \*EU (1.146-820.0)/Spare parts list NT 55/1 Tact \*EU/20 Turbine

Rez.daļas/nodil.pakļ.daļas	Poz.	Materiāla Nr.	Nosaukums	Daudzums	Pārdoš. vienība	no sēr. Nr..	līdz sēr. Nr.
	1	4.605-088.0	Housing vacuum motor only for replacemen	1.000	ST		40000
	1	4.605-141.0	Housing vacuum motor only for replacemen	1.000	ST	40001	
X	2	5.363-664.0	Wobble plate	1.000	ST		40000
X-X	3	6.490-215.0	Vakuuma turbīna 230V	1.000	ST		40000
X-X	3	6.490-245.0	Vakuuma turbīna 230V	1.000	ST	40001	
X-X	4	6.610-285.0	Ogles birstes komplekts	1.000	ST		40000
X-X	5	5.363-665.0	Seal vacuum motor bottom	1.000	ST		40000
X-X	6	6.649-678.0	Cable turbine	2.000	ST	40001	
	6	6.649-809.0	Cable turbine	2.000	ST		40000
X	7	6.273-192.0	Vads no porainās gumijas D6	1.000	ST		
	8	4.060-772.0	Housing complete only for replacement Ec	1.000	ST		
X-X	9	5.107-270.0	Probe	2.000	ST		
	10	4.682-002.0	Circuit board packaged only for replacem	1.000	ST	40001	
	10	4.682-096.0	Impeller	1.000	ST		40000
	11	5.034-505.0	Retaining bracket cable	1.000	ST		
X-X	12	7.303-129.0	Skrūve 4x16 -10.9-R2R (K-In6Rd)	1.000	ST		
	13	6.649-314.0	Cable probe light blue 0,5mm²x610mm	2.000	ST		
	14	5.332-967.0	Spring electrically conducting	1.000	ST		
X-X	15	7.303-086.0	Skrūve 5x30 -10.9-R2R (K-In6Rd)	2.000	ST		
	16	6.907-455.0	Flat-pleated filter packaged PTFE	1.000	ST		
X-X	16	6.904-367.0	Filtrs plakanais, NT 25/35/45	1.000	ST		
	17	6.343-169.0	quick fastener	1.000	ST		
	18	7.303-096.0	Skrūve 4x22 -ST-10.9-R2R (IN6RD)	2.000	ST		
	26	6.346-043.0	Ferrite ring	1.000	ST		
X	27	2.840-029.0	Set seal replacement	1.000	ST	40001	