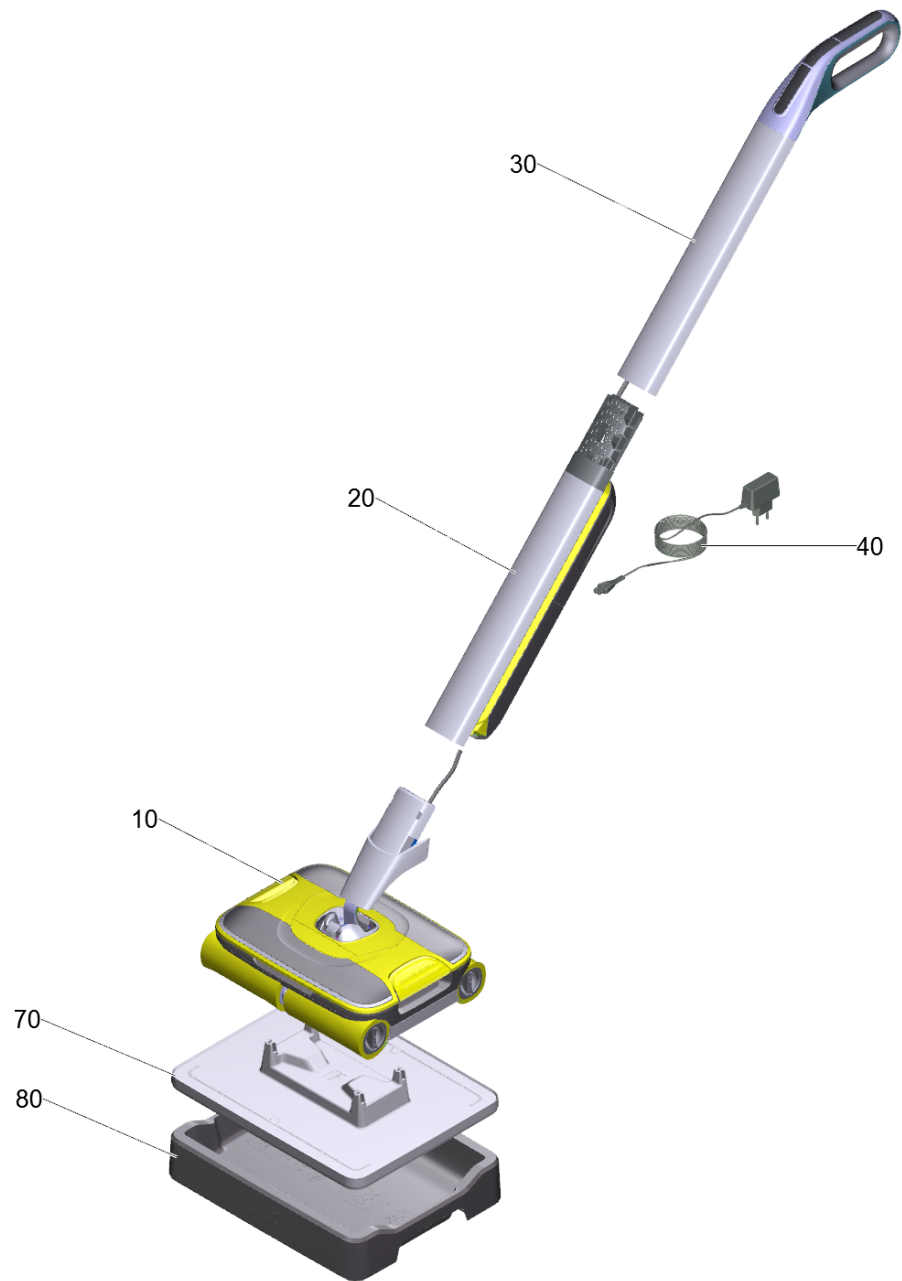


Spare parts list

(1.055-730.0) FC 7 Cordless (yellow) *EU

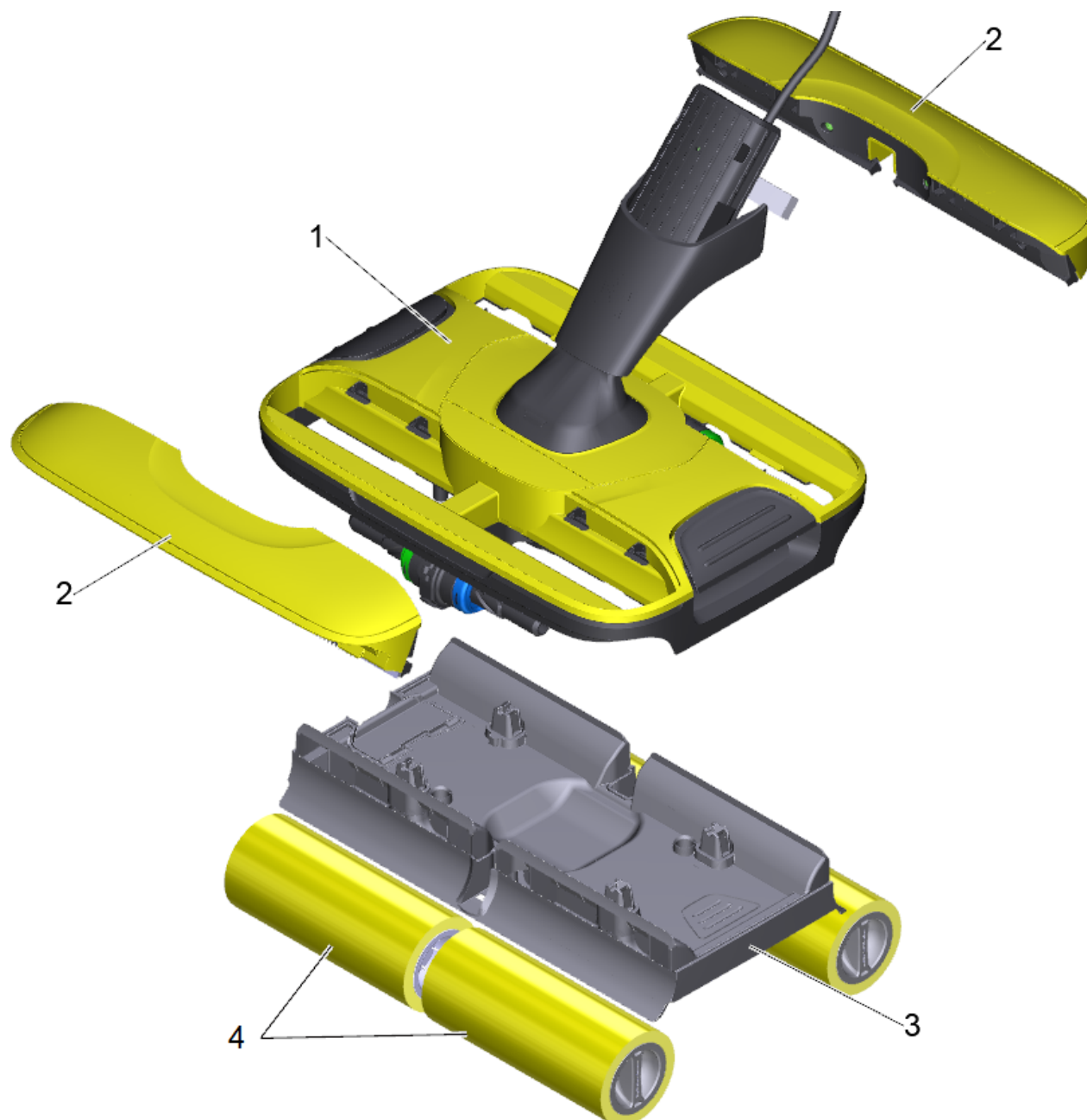
Table of contents

FC 7 Cordless (yellow) *EU (1.055-730.0)	3
10 Power brush complete FC 7	5
1 Power brush assembly FC 7	7
20 Basic unit FC 7	10
12 Clean water tank complete FC 7	12
30 Handle complete	14
2 Hand grip handle for replacement (4.055-235.0)	16



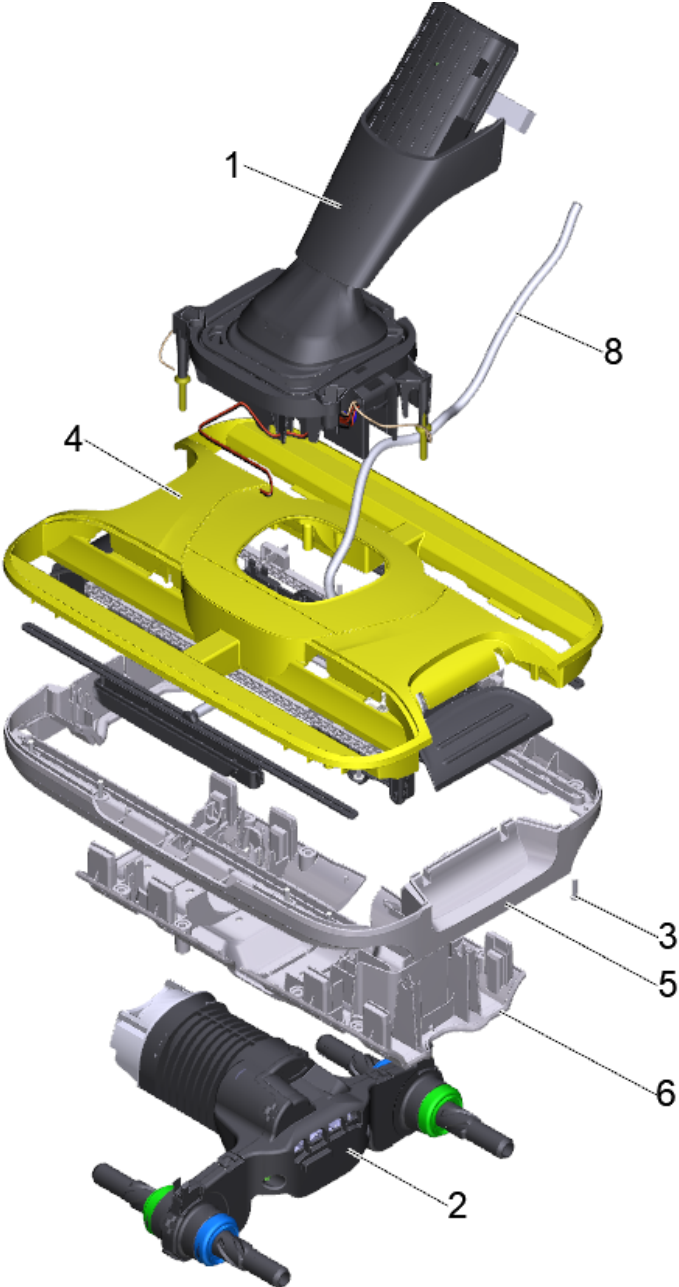
FC 7 Cordless (yellow) *EU (1.055-730.0)

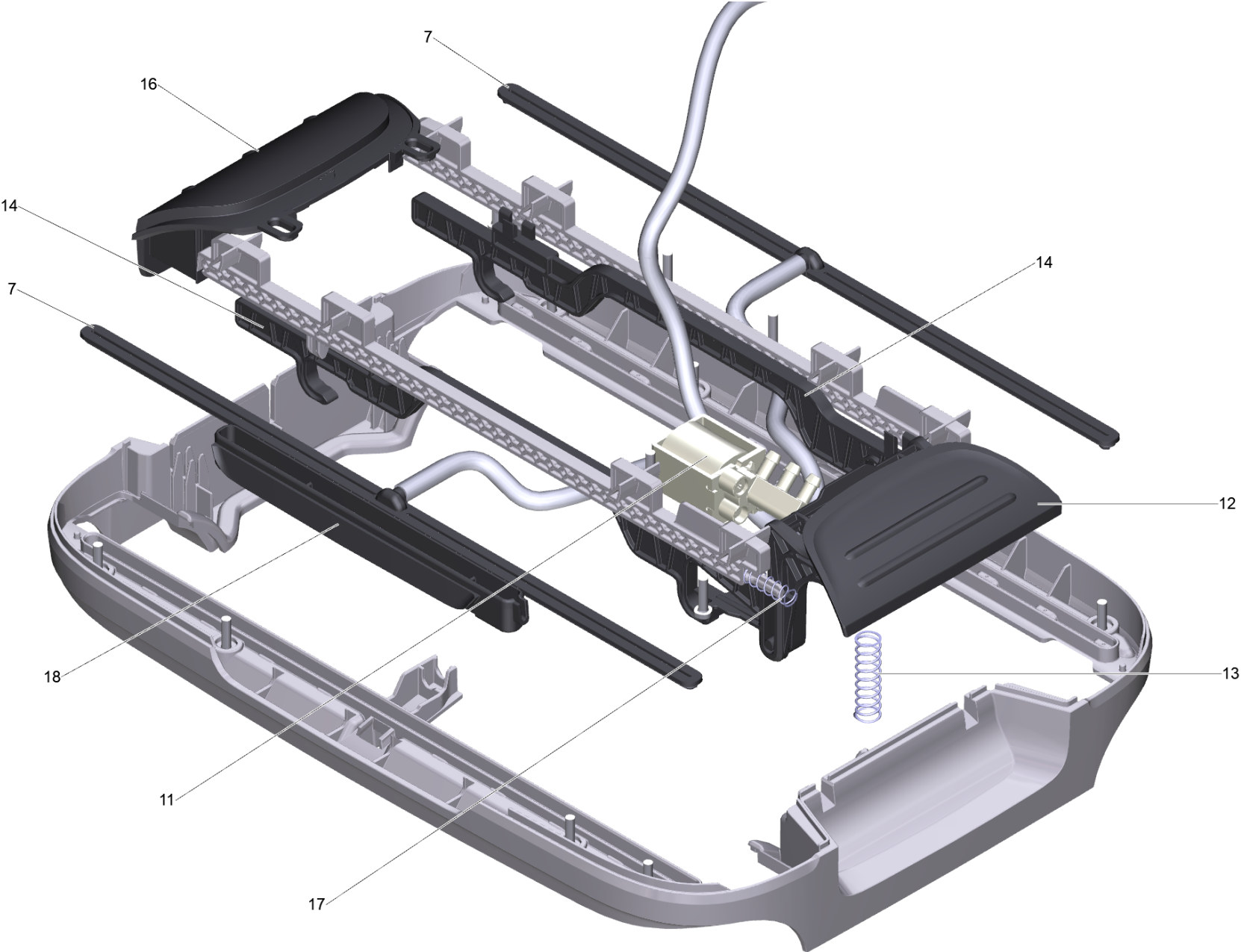
POS	Article no.	Description	Quantity	Unit
20		Basic unit FC 7	1.000	ST
80	5.055-591.3	Cleaning station for replacement	1.000	ST
30		Handle complete	1.000	ST
70	5.055-590.3	Parking station for replacement	1.000	ST
10		Power brush complete FC 7	1.000	ST
40	6.195-069.0	Power supply PS07 Phihong *EU	1.000	ST



10 Power brush complete FC 7

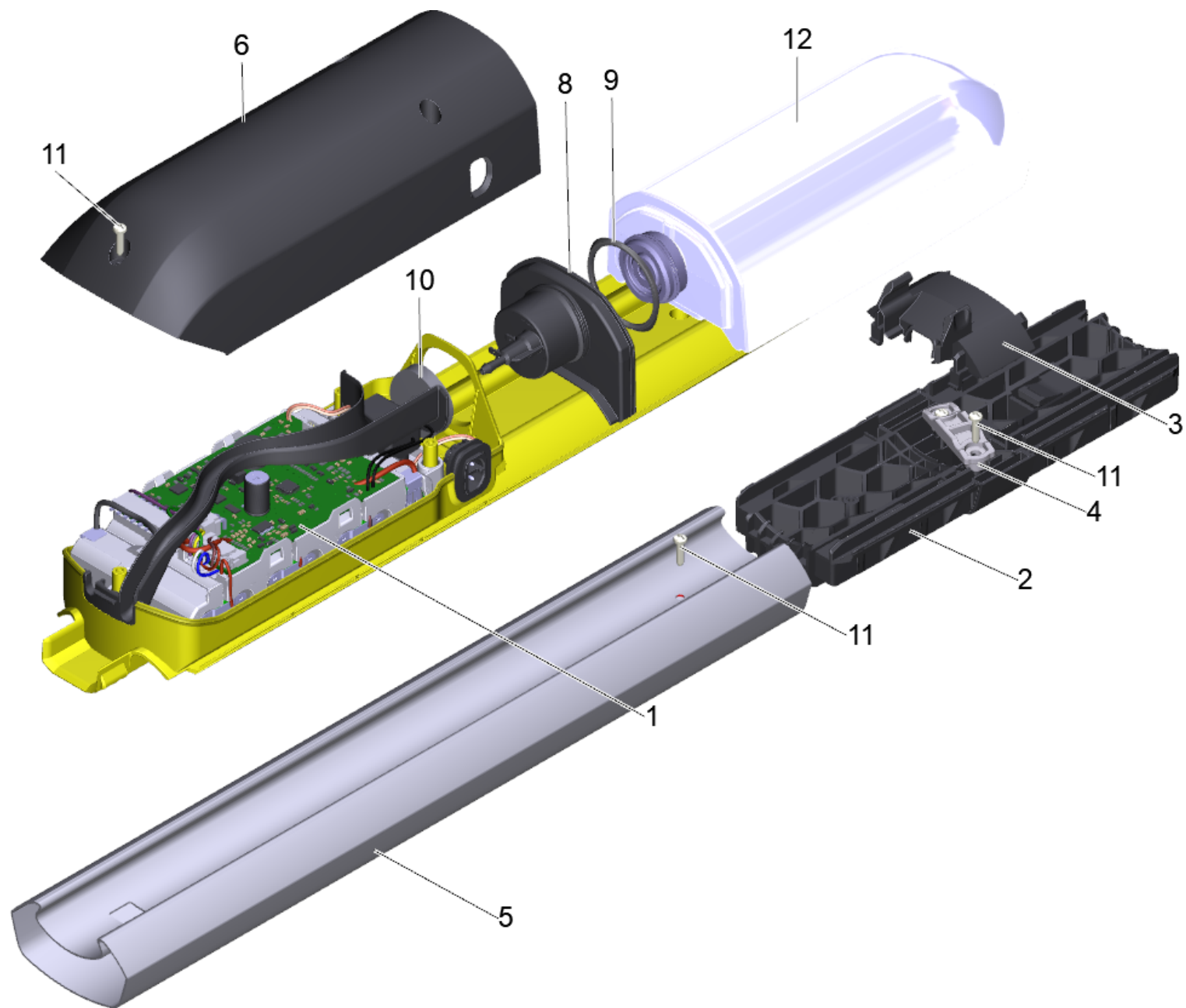
POS	Article no.	Description	Quantity	Unit
2	4.055-169.3	Hair filter complete for replacement FC 7	2.000	ST
1		Power brush assembly FC 7	1.000	ST
4	2.055-006.0	Set of rollers yellow set gelb	2.000	ST
3	4.055-168.3	Waste water tank complete for replacement	1.000	ST





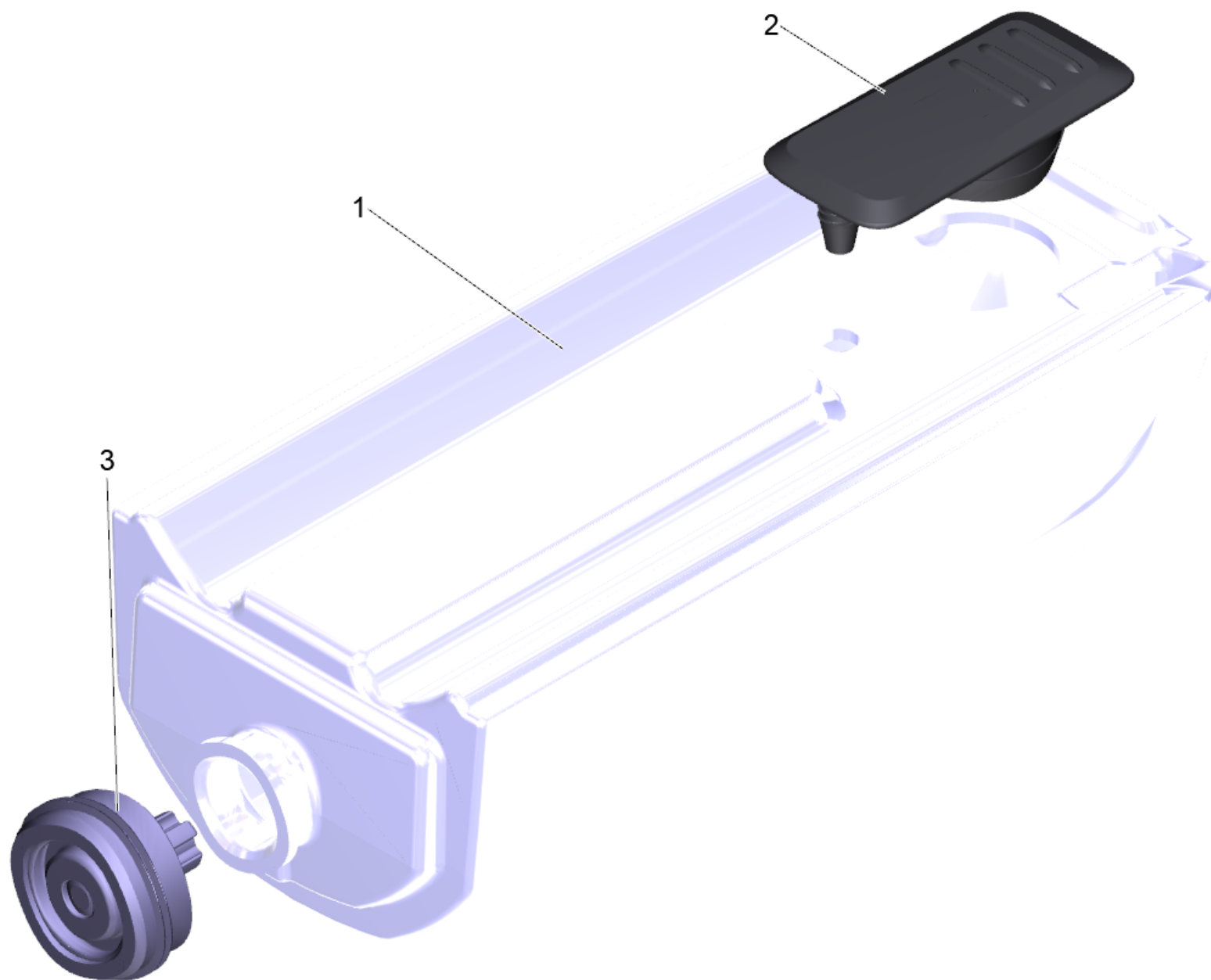
1 Power brush assembly FC 7

POS	Article no.	Description	Quantity	Unit
6	5.055-632.3	Covering cap power brush for replacement	1.000	ST
4	4.055-187.3	Cover power brush printed	1.000	ST
5	5.055-631.0	Frame power brush	1.000	ST
2	4.055-165.3	Gear complete for replacement	1.000	ST
1	4.055-170.3	Joint complete for replacement	1.000	ST
18	5.055-662.0	Optical fibre black	1.000	ST
14	5.055-619.3	Pusher dirt water tank	2.000	ST
3	6.303-557.0	Screw 3x12 Kombitorx T8	20.000	ST
7	5.055-654.0	Seal water outlet	2.000	ST
11	6.686-620.3	Solenoid valve for replacement 22V	1.000	ST
17	6.330-284.0	Spring	2.000	ST
13	6.330-283.0	Spring	1.000	ST
8	7.777-999.0	Stockpiling discontinued	3.000	ST
16	5.055-621.3	Stripper edge trigger for replacement	1.000	ST
12	5.055-618.3	Trigger for replacement	1.000	ST



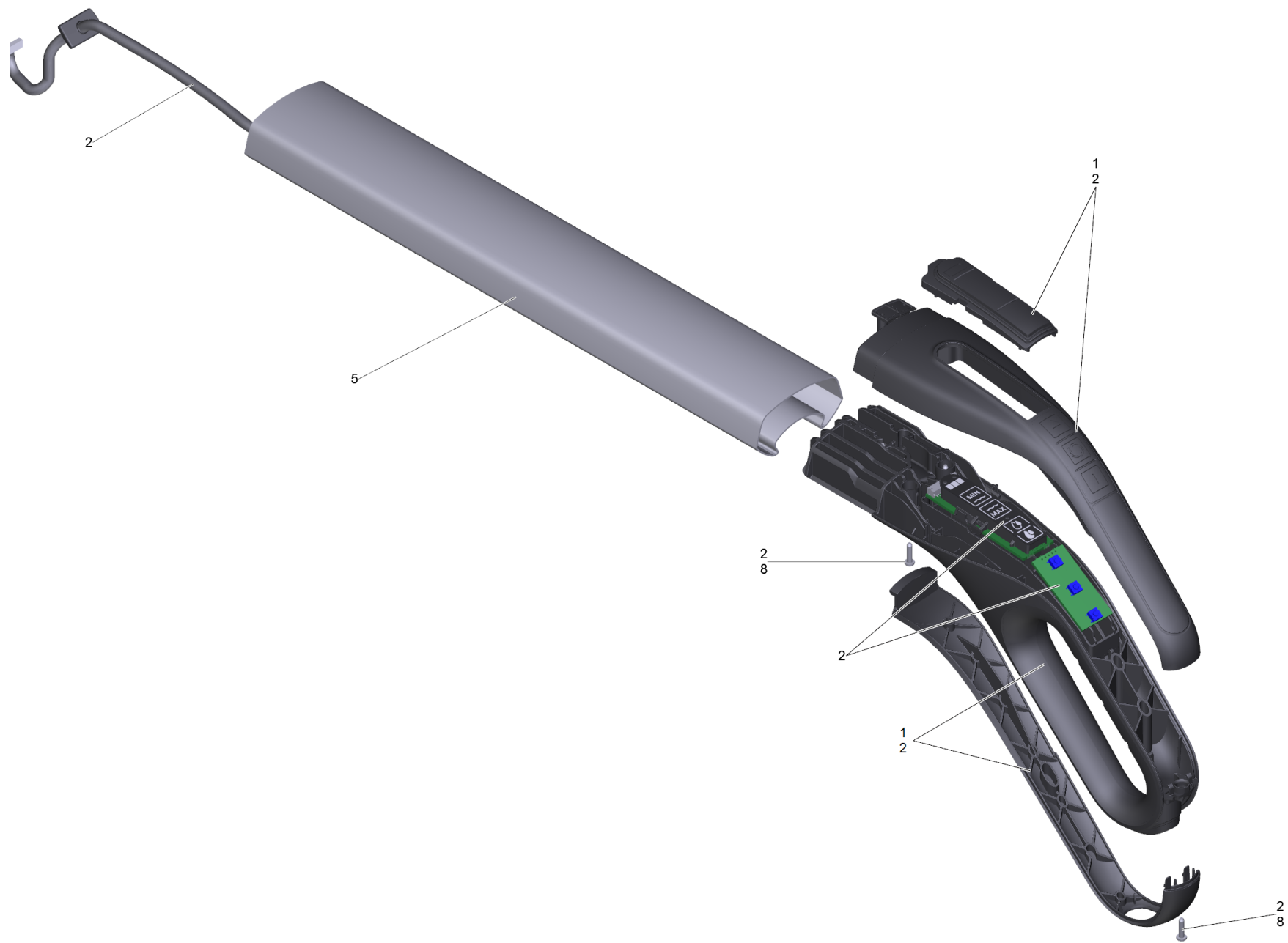
20 Basic unit FC 7

POS	Article no.	Description	Quantity	Unit
3	5.055-598.3	Cap connector for replacement	1.000	ST
12		Clean water tank complete FC 7	1.000	ST
2	5.055-597.0	Connector	1.000	ST
6	5.055-599.3	Cover rear cordless	1.000	ST
1	4.683-237.3	Electronics complete for replacement FC 7 cordless	1.000	ST
10	4.071-646.0	Filter sponge for replacement	1.000	ST
9	6.362-511.0	O-Ring seal 31,47X 1,78	1.000	ST
5	5.055-634.3	Profile aluminium for replacement FC 7	1.000	ST
8	5.055-602.3	Retainer with pins	1.000	ST
11	6.303-557.0	Screw 3x12 Kombitorx T8	6.000	ST
4	5.055-601.0	Strain relief	1.000	ST



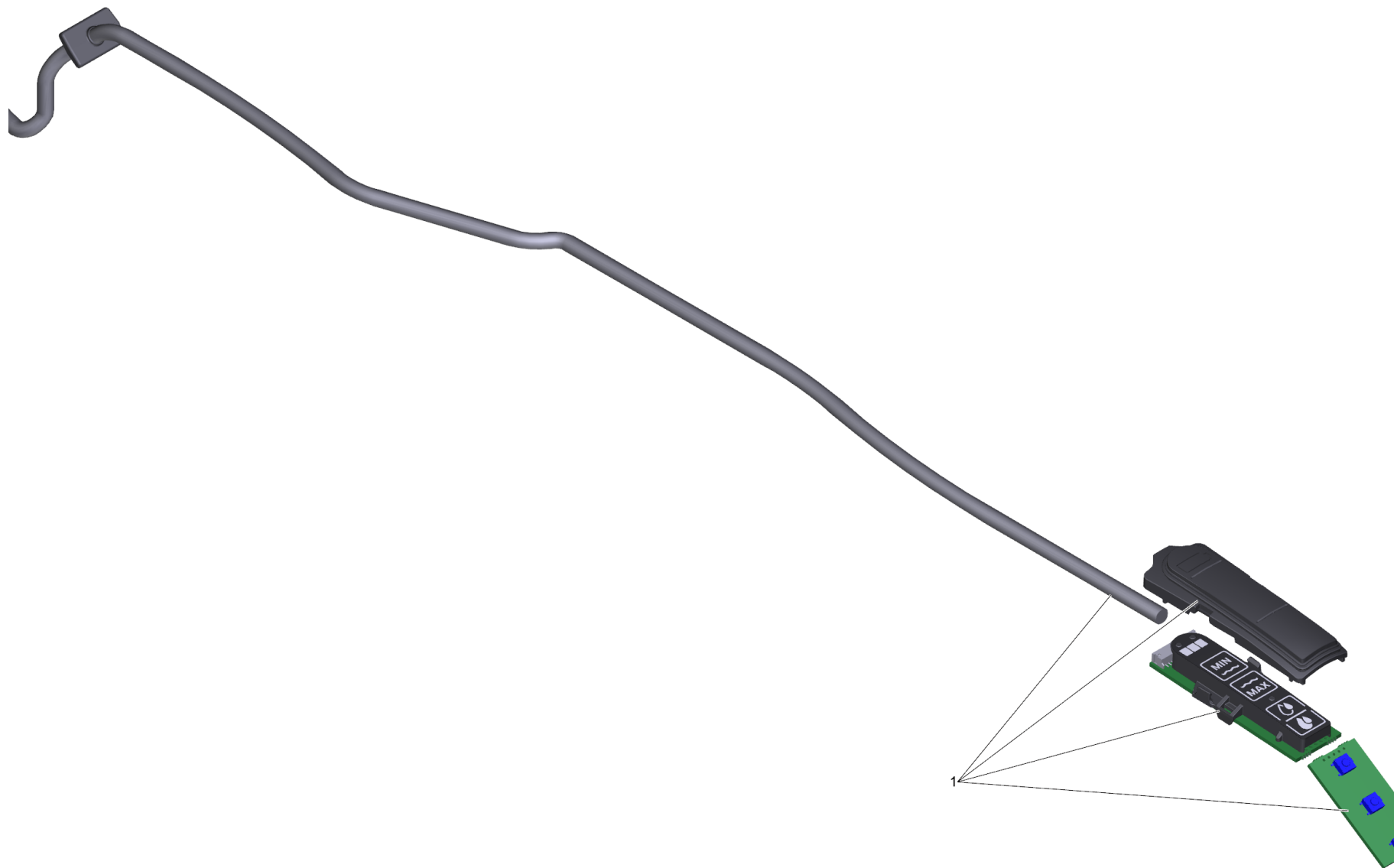
12 Clean water tank complete FC 7

POS	Article no.	Description	Quantity	Unit
1	5.055-606.3	Fresh water tank for replacement	1.000	ST
2	5.055-605.0	Lock cap	1.000	ST
3	4.055-112.0	Valve complete for replacement	1.000	ST



30 Handle complete

POS	Article no.	Description	Quantity	Unit
2	4.055-235.0	Hand grip handle for replacement	1.000	ST
5	5.055-634.3	Profile aluminium for replacement FC 7	1.000	ST
8	6.303-557.0	Screw 3x12 Kombitorx T8	6.000	ST
1	4.071-637.0	Set hand grip for replacement	1.000	ST



2 Hand grip handle for replacement (4.055-235.0)

POS	Article no.	Description	Quantity	Unit
1	4.055-236.0	User interface for replacement	1.000	ST