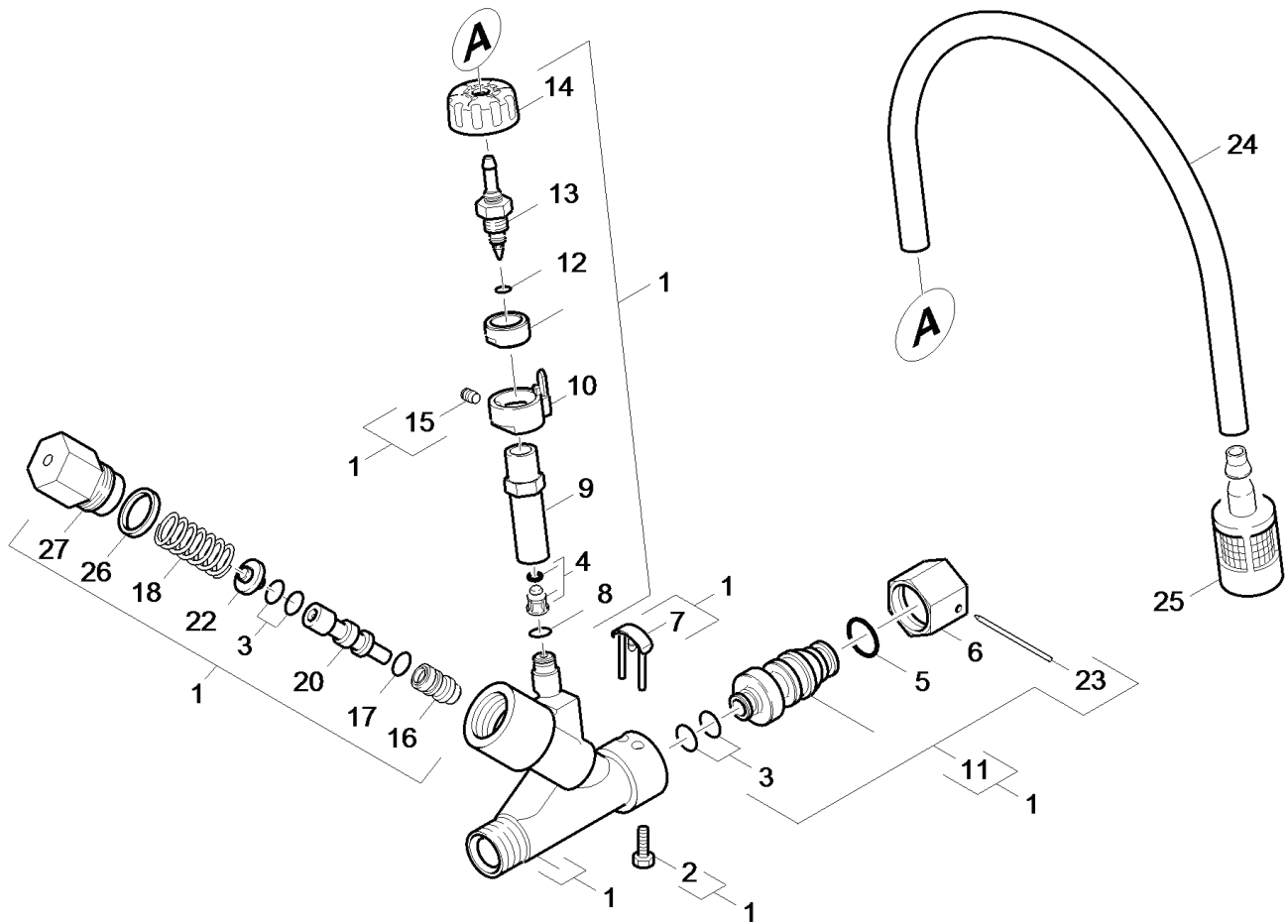


20 Injector

Professional \ High pressure cleaner hotwater \ Accessories \ Easy Foam Set \ Spare parts list set Inno + Easy Foam \ Injector



20 Injector

Professional \ High pressure cleaner hotwater \ Accessories \ Easy Foam Set \ Spare parts list set Inno + Easy Foam \ Injector



POS	Article no.	Description	Quantity	Unit	Foot note text
11	4.440-823.0	Connection injector	1.000	ST	
25	5.731-652.0	Filter with weight	1.000	ST	
14	5.321-733.0	Handhold	1.000	ST	
18	5.332-512.0	Helical spring	1.000	ST	
27	5.304-088.0	Hexagonal head screw	1.000	ST	
	Item text1: 2.640-151.0 /-691.0 /-692.0 /693.0/				
27	5.304-082.0	HEXAGON Schraube	1.000	ST	
	Item text1: 2.641-544.0 /-564.0 /				
7	4.037-013.0	Hook	1.000	ST	
24	6.388-216.0	Hose DN 5	1.000	M	TO ORDER AS CUT GOODS
9	5.061-031.0	Housing	1.000	ST	
1	4.060-563.3	Injector complete	1.000	ST	
	Item text1: 2.640-151.0 /-691.0 /-692.0 /693.0/				
1	4.060-741.0	Injector complete	1.000	ST	
	Item text1: 2.641-544.0 /-564.0 /				
10	5.032-634.0	Moulded part	1.000	ST	
5	2.880-154.0	O-Ring kit	1.000	ST	
12	6.362-930.0	O-Ring seal 5,0 X 1,5	1.000	ST	
8	6.362-388.0	O-Ring seal 8,0x1,5 -EPDM 70	1.000	ST	
17	6.363-045.0	O-Ring seal 8X1,25 NBR	1.000	ST	
3	6.362-365.0	O-Ring seal complete 1ST.-R.- 7,65X 1,7	2.000	ST	
20	5.553-465.0	Piston	1.000	ST	
2	7.306-206.0	Screw M4x10 -A2-70 ISO 14583	1.000	ST	
	Item text1: 2.640-151.0 /-691.0 /-692.0 /693.0/				
15	7.307-360.0	Threaded pin M 5X 6-A2-21H ISO 4029	1.000	ST	
13	5.108-257.0	Turned part	1.000	ST	
6	6.386-655.0	Union nut M 22 X 1,5	1.000	ST	
22	5.584-134.0	Valve pin	1.000	ST	
4	4.584-423.0	Valve pin complete only for replacement	1.000	ST	
16	5.581-285.0	Valve seat	1.000	ST	
26	5.116-349.0	Washer 22.5 x 3,5	1.000	ST	
	Item text1: 2.641-544.0 /-564.0 /				