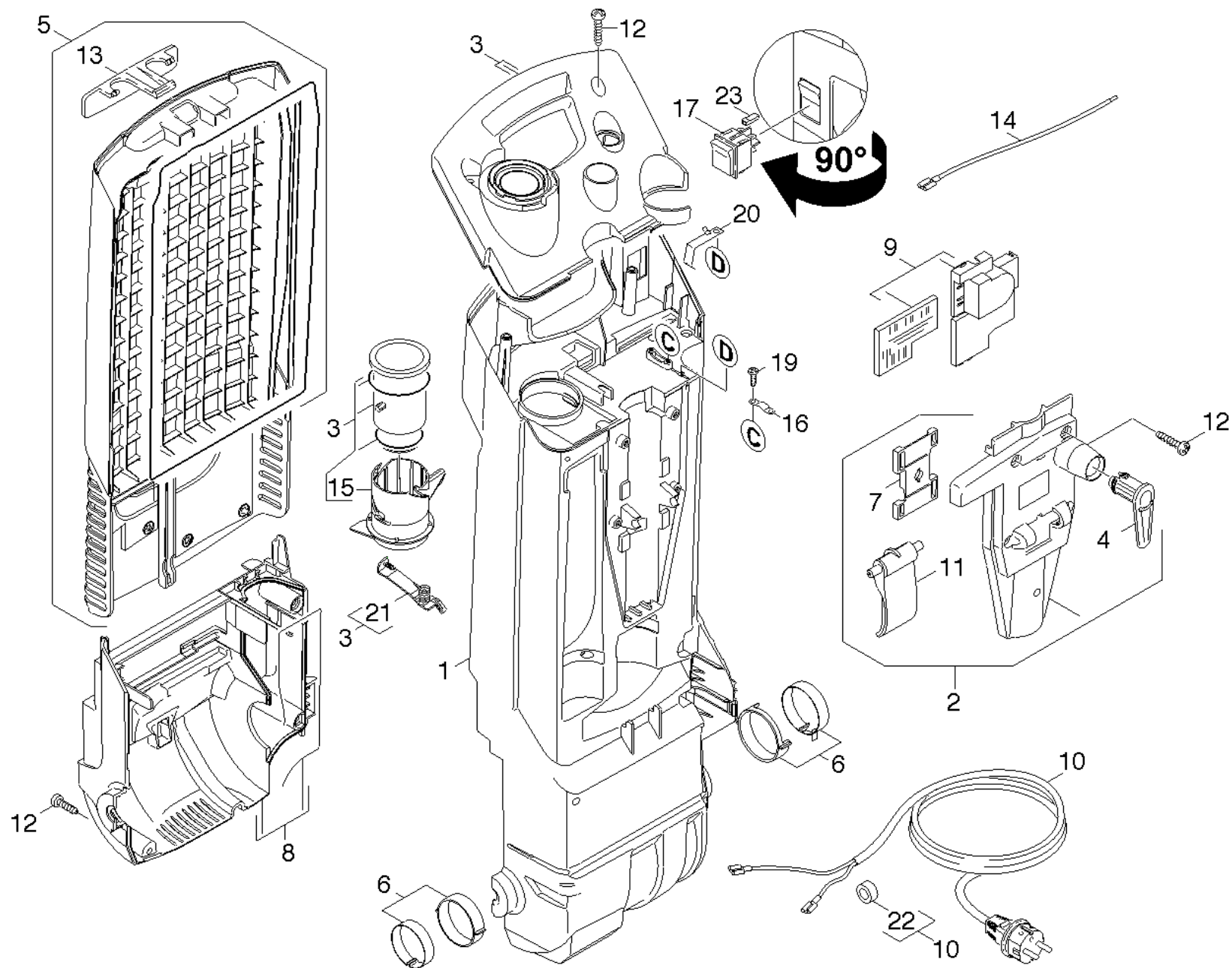


12 Appliance top part

Professional \ Vacuum cleaner \ Dry vacuum cleaner \ CV 38/2 *EU \ Spare parts list CV 38/2, CV 48/2 \ Top part \ Appliance top part

KÄRCHER



12 Appliance top part

Professional \ Vacuum cleaner \ Dry vacuum cleaner \ CV 38/2 *EU \ Spare parts list CV 38/2, CV 48/2 \ Top part \ Appliance top part



POS	Preces Nr.	Apraksts	Skaits	Vienība	Sērijas numurs no	Sērijas numurs līdz	Piezīme	Zemsvītras piezīme
4	5.044-661.0	Catch for cable yellow	1.000	ST	0000000000	0000000000		
9	4.682-000.0	Circuit board only for replacement	1.000	ST	0000000000	0000000000		
7	5.032-448.0	CLAMP	1.000	ST	0000000000	0000000000		
16	6.903-241.0	Clamp clip	1.000	ST	0000000000	0000000000		
11	5.481-345.0	Clamp lever	1.000	ST	0000000000	0000000000		
13	5.075-038.0	Closure cover	1.000	ST				YELLOW
13	5.075-030.0	Closure cover	1.000	ST	0000000000	0000000000		BLACK
5	4.064-020.0	Cover complete	1.000	ST				
	Vienuma teksts 1: 1.033-321.0 / -322.0 / -323.0							
	Vienuma teksts 2: 1.057-315.0 / -316.0 / -317.0							
5	4.064-016.0	Cover complete	1.000	ST	0000000000	0000000000		
	Vienuma teksts 1: 1.033-315.0 / -316.0 / -317.0 / -319.0 -							
	Vienuma teksts 2: 1.057-310.0 / -311.0 / -312.0 / -320.0							
2	4.032-003.0	Covering cap complete only for replaceme	1.000	ST	0000000000	0000000000		
3	4.032-004.0	Covering cap electric	1.000	ST	0000000000	0000000000		
8	4.053-224.0	Covering cap motor complete nur fuer Ers	1.000	ST	0000000000	0000000000		
14	4.839-402.0	Electrical small parts CV 38/2, CV 48/2	1.000	ST	0000000000	0000000000		
22	6.346-043.0	Ferrite ring	1.000	ST				
1	5.060-991.0	Housing	1.000	ST	0000000000	0000000000		
23	6.647-748.0	Insulation sheath	2.000	ST				
15	5.481-352.0	OPERATING LEVER	1.000	ST				
10	4.649-049.0	Power cable for replacement	1.000	ST	0000000000	0000000000	*EU	
	Vienuma teksts 1: 1.033-315.0 - 1.057-310.0							
10	4.649-042.0	Power cable for replacement	1.000	ST				
	Vienuma teksts 1: 1.033-321.0 - 1.057-315.0							
10	4.649-036.0	Power cable for replacement	1.000	ST			*GB	
	Vienuma teksts 1: 1.033-316.0 / -322.0 - 1.057-311.0							

12 Appliance top part

Professional \ Vacuum cleaner \ Dry vacuum cleaner \ CV 38/2 *EU \ Spare parts list CV 38/2, CV 48/2 \ Top part \ Appliance top part



POS	Preces Nr.	Apraksts	Skaitis	Vienība	Sērijas numurs no	Sērijas numurs līdz	Piezīme	Zemsvītras piezīme
		Vienuma teksts 2: / -316.0						
10	4.649-037.0	Power cable for replacement	1.000	ST			*AU	
		Vienuma teksts 1: 1.033-317.0 / -323.0 - 1.057-312.0						
		Vienuma teksts 2: / -317.0						
10	4.649-059.0	Power cable for replacement *CN	1.000	ST			*CN	
		Vienuma teksts 1: 1.033-319.0 / -320.0						
17	6.630-156.0	Rocker switch black	1.000	ST	0000000000	0000000000		
19	6.303-318.0	Screw 3,5x12-10.9-R2R (IN6RD)	2.000	ST	0000000000	0000000000		
6	2.889-076.0	Set bearing shells	1.000	ST				
12	7.303-108.0	Skrūve 5x20 -10.9-R2R (In6Rd)	9.000	ST	0000000000	0000000000		
21	4.332-008.0	Spring connection piece completely	1.000	ST	0000000000	0000000000		
20	5.034-689.0	Spring earthing	1.000	ST	0000000000	0000000000		