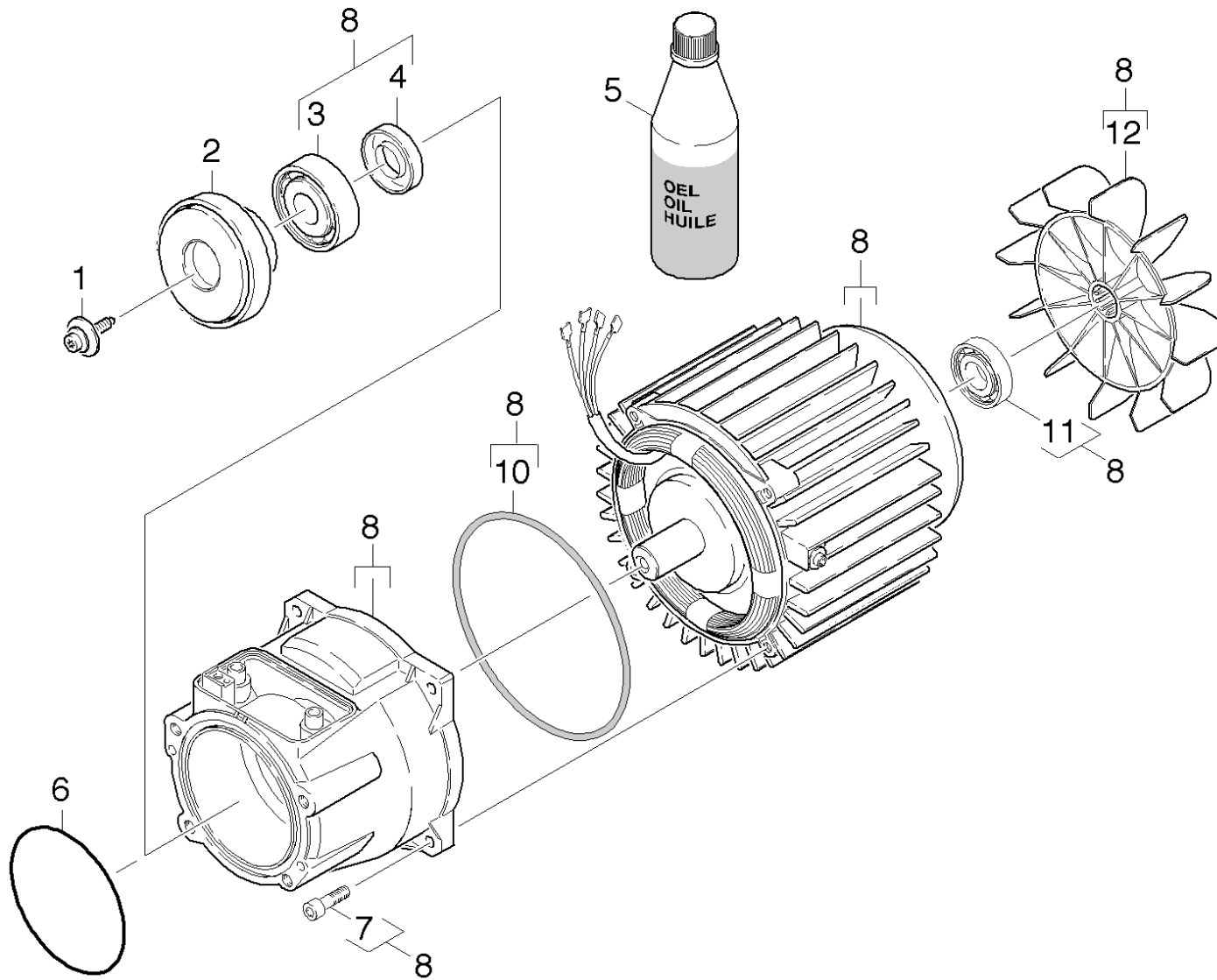


30 Motor

Home and Garden \ High pressure cleaner cold water \ Electric motor \ K 5 \ K 5.85M *EU \ Spare parts list K 5.8X M \ Motor



30 Motor

Home and Garden \ High pressure cleaner cold water \ Electric motor \ K 5 \ K 5.85M *EU \ Spare parts list K 5.8X M \ Motor

KÄRCHER

POS	Article no.	Description	Quantity	Unit
11	7.401-128.0	Ball bearing 6202-2RS -Wälzl.St DIN 625	1.000	ST
3	7.401-010.0	Ball bearing 6303 -St DIN 625	1.000	ST
12	5.600-077.0	Blower wheel	1.000	ST
1	6.304-048.0	Cylinder head screw M6x19	1.000	ST
5	6.288-050.0	Engine oil 1L	1.000	ST
10	5.363-466.0	Joint ring	1.000	ST
8	4.623-591.0	Motor complete K5 *EU	1.000	ST
8	4.623-719.0	Motor complete K5.80 *SA	1.000	ST
	Item text1: 1.396-304.0			
6	6.362-471.0	O-Ring seal 80,0 X 3,0 -NBR 70	1.000	ST
4	7.367-002.0	Radial shaft seal ring A17x35x7-NBR DIN	1.000	ST
4	7.367-008.0	Radial shaft seal ring A25x35x7-NBR DIN	1.000	ST
	Item text1: 1.396-304.0			
7	6.303-320.0	Screw M 5x 20-St-R2R	4.000	ST
2	6.401-196.0	Wobble plate	1.000	ST
	Item text1: 1.396-304.0			
2	6.401-300.0	Wobble plate	1.000	ST