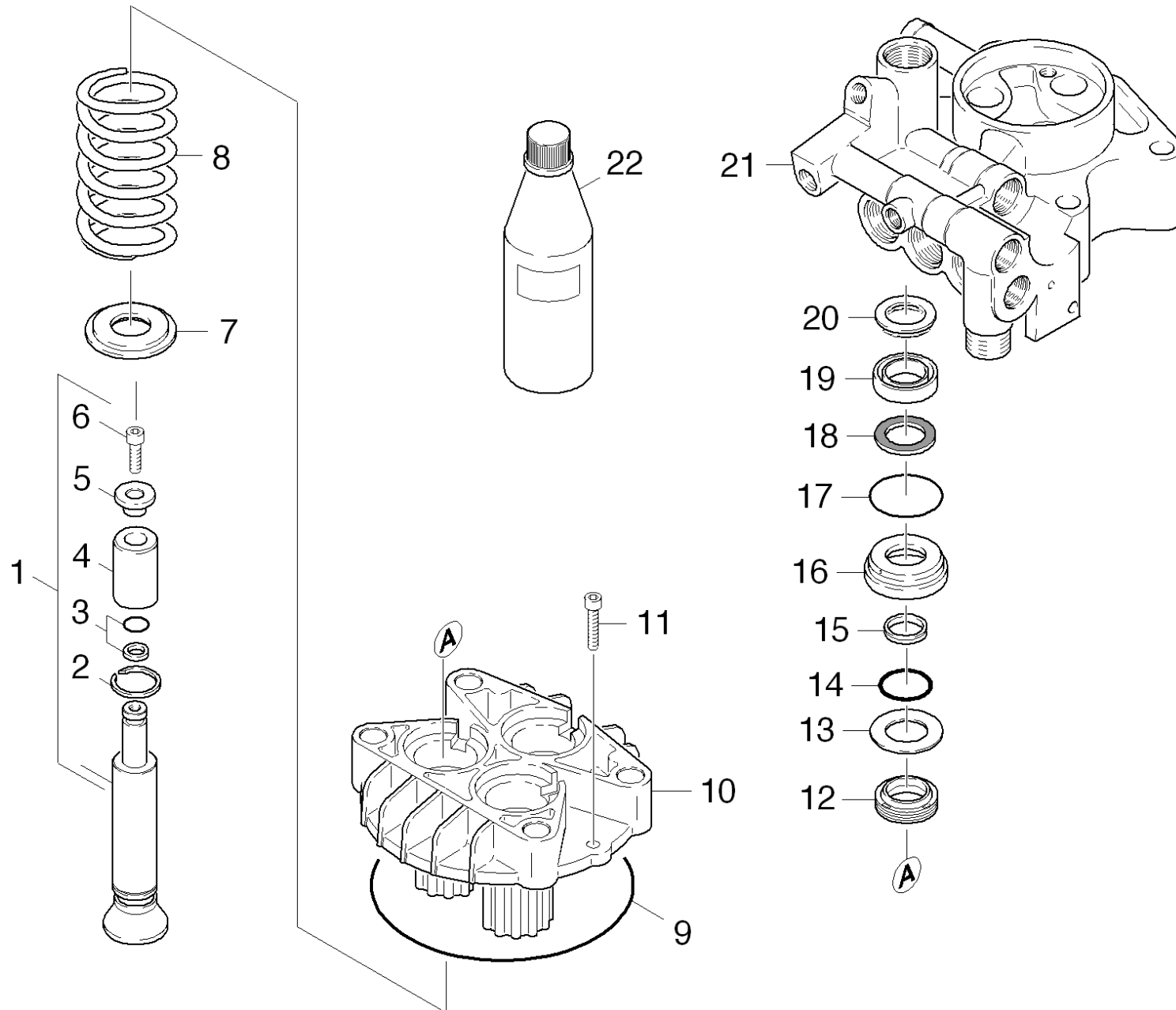


# 23 Piston

Professional \ High pressure cleaner cold water \ Stationary \ HD 6/15 -4ST \*EU \ Documentation pocket HD 6/13 ST, HD 6/15 \ Spare parts list HD 6/13 ST, HD 6/15 ST \ Pump set \ Piston



## 23 Piston

Professional \ High pressure cleaner cold water \ Stationary \ HD 6/15 -4ST \*EU \ Documentation pocket HD 6/13 ST, HD 6/15 \ Spare parts list HD 6/13 ST, HD 6/15 ST \ Pump set \ Piston

**KÄRCHER**

POS	Article no.	Description	Quantity	Unit
1	4.553-261.0	Piston complete	3	PC
2	6.472-331.0	Snap ring 20	3	PC
3	6.362-365.0	O-Ring seal complete 1ST.-R.- 7,65X 1,7	3	PC
4	5.110-282.0	Sleeve ceramic	3	PC
5	5.110-484.0	Sleeve	3	PC
6	7.306-158.0	Cylinder head screw M 5x20-A4-70 ISO 47	3	PC
7	5.115-539.0	Washer	3	PC
8	5.332-281.0	Helical spring	3	PC
9	6.362-796.0	O-Ring seal 107,62X 2,62	1	PC
10	7.777-999.0	Stockpiling discontinued	1	PC
11	7.306-023.0	Cylinder head screw M6x25 -8.8-A2E ISO4	2	PC
12	6.365-525.0	Grooved ring	3	PC
13	5.115-537.0	Washer	3	PC
14	6.362-614.0	O-Ring seal 21,0 X 4,0-FPM 83 VITON	3	PC
15	5.363-232.0	Joint ring	3	PC
16	5.112-817.0	Bush	3	PC
17	6.363-607.0	O-Ring seal 34,65 x 1,78 -NBR70	3	PC
18	6.365-379.0	Supportring	3	PC
19	6.365-377.0	Grooved ring 20x30x6	3	PC
20	6.365-378.0	Supportring 20x30x4,2	3	PC
21	7.777-999.0	Stockpiling discontinued	1	PC
22	6.288-016.0	Gear oil 1L	1	PC