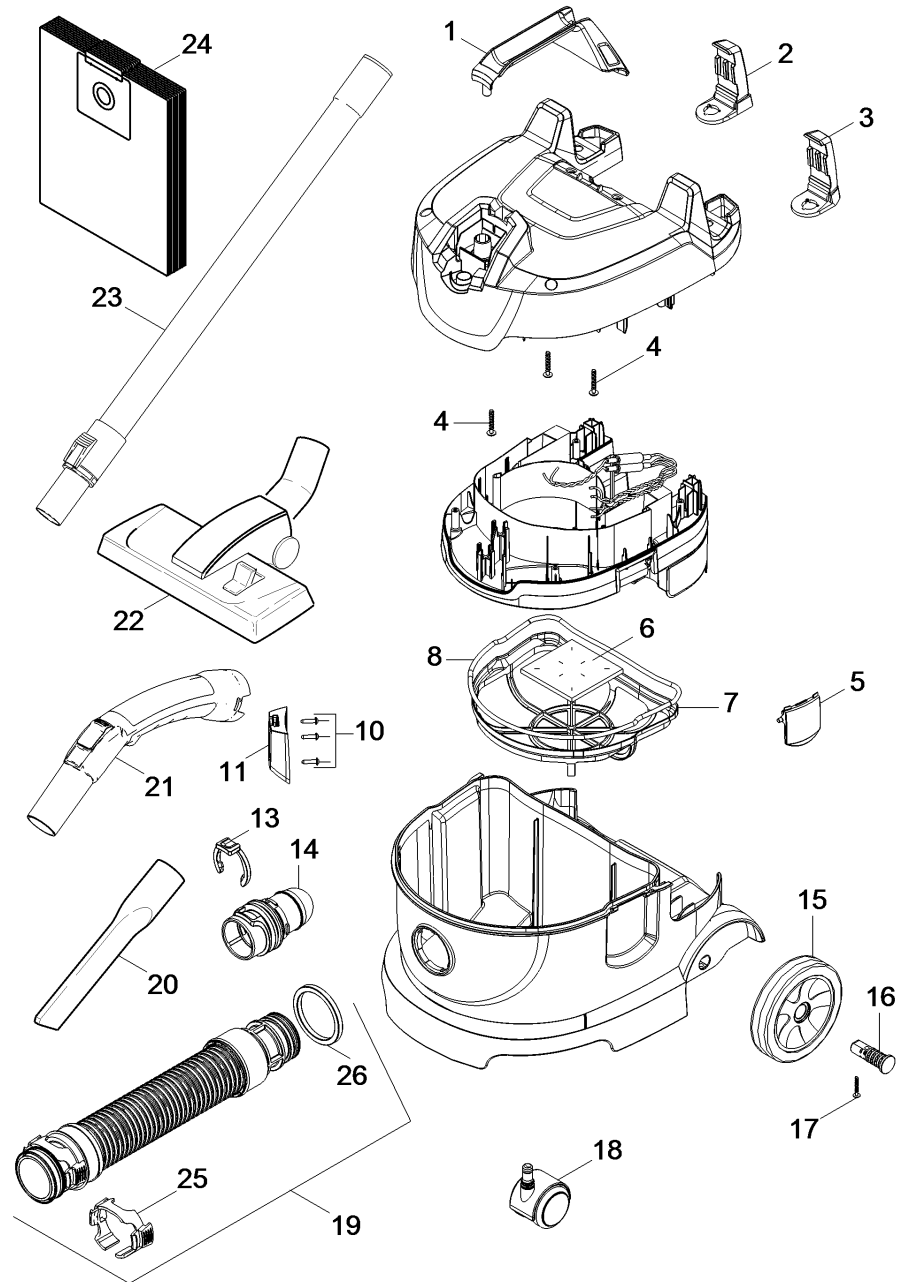


9010 Short spare parts list

Professional \ Vacuum cleaner \ Dry vacuum cleaner \ T 9/1 Bp *EU \ Short spare parts list



9010 Short spare parts list

Professional \ Vacuum cleaner \ Dry vacuum cleaner \ T 9/1 Bp *EU \ Short spare parts list



POS	Article no.	Description	Quantity	Unit
16	5.317-379.0	Bolt basalt grey RAL 7012	2.000	ST
18	6.435-707.0	Castor	2.000	ST
20	2.889-130.0	Crevice nozzle packaged NW35	1.000	ST
21	2.889-148.0	Elbow packaged antistatic NW35 2K	1.000	ST
24	6.904-335.0	Filter bags fleece 10 Stck Kärcher	1.000	ST
7	5.731-628.0	Filtering basket packaged T9/1 Bp	1.000	ST
11	5.032-931.0	Floor tool holder	1.000	ST
22	2.889-129.0	Floor tool packaged NW35	1.000	ST
1	5.322-205.0	Handhold	1.000	ST
3	5.045-083.0	Holder hose left T 9/1 BP	1.000	ST
2	5.045-082.0	Holder hose right T 9/1 BP	1.000	ST
19	2.889-133.0	Hose packaged NW35 2.5m	1.000	ST
5	5.034-101.0	Locking clip	2.000	ST
13	5.343-022.0	Locking ring	1.000	ST
10	7.303-205.0	Screw 4x16-St-10.9-R2R (In6Rd)	3.000	ST
4	7.303-086.0	Screw 5x30 -10.9-R2R (K-In6Rd)	3.000	ST
17	7.303-086.0	Screw 5x30 -10.9-R2R (K-In6Rd)	2.000	ST
8	6.273-257.0	Seal string cellular rubber D6	1.000	ST
26	5.363-255.0	Seal X-shaped	1.000	ST
6	2.889-119.0	Set filter motor protecting	1.000	ST
14	5.034-163.0	Suction connection T	1.000	ST
23	2.862-008.0	Telescopic tube packaged NW35	1.000	ST
25	5.031-140.0	Tension ring NW35	1.000	ST
15	5.515-355.0	Wheel basalt grey RAL 7012	2.000	ST