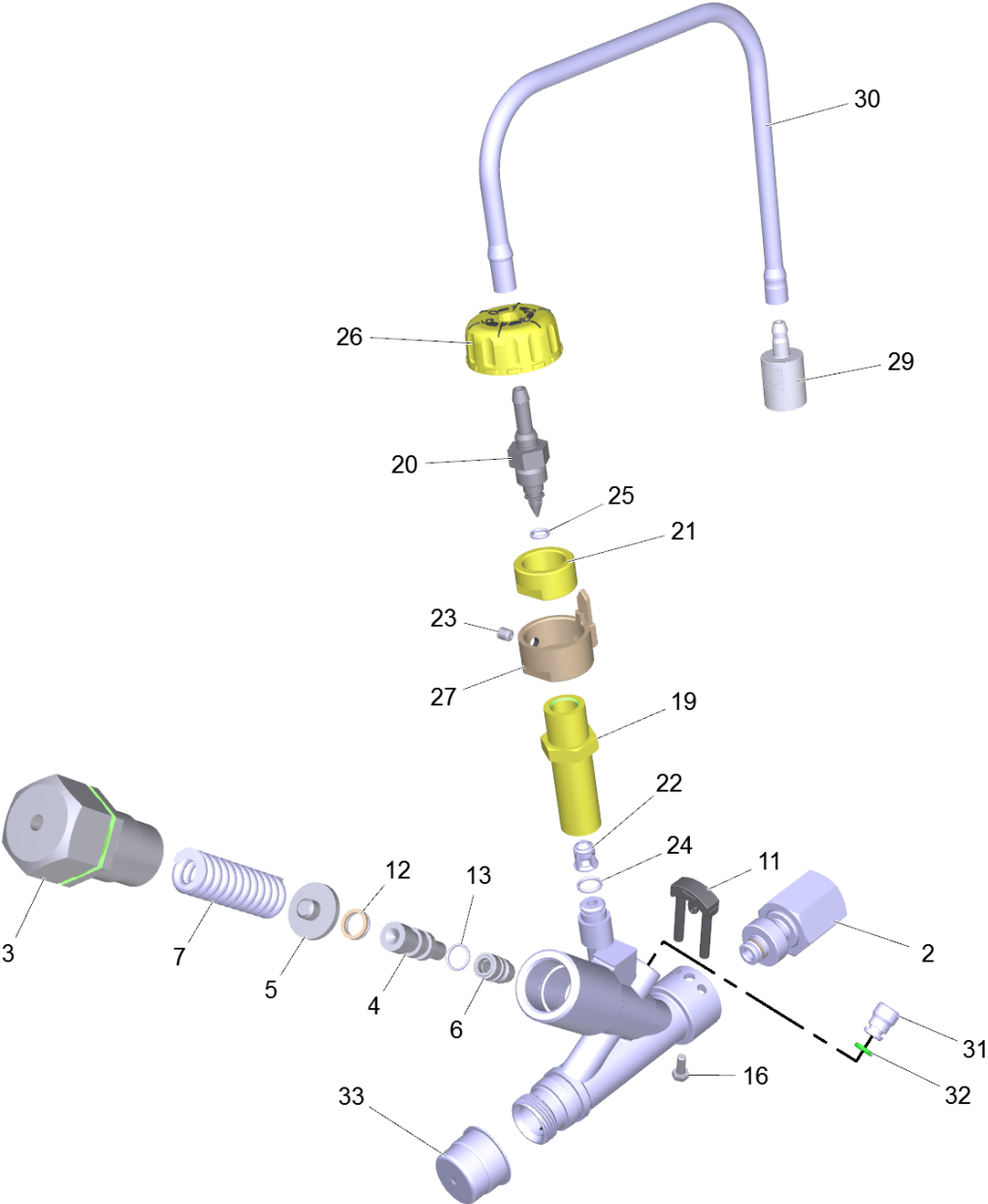


Table of contents

Easy-Foam-Set TR (2.112-010.0)	2
1 Injector complete TR	3
2 Connection injector TR	5
3 Foam nozzle trapezoidal thread (4.117-021.0)	7
9500 Nozzle pack 055 (2.111-009.0)	9
9501 Nozzle pack 060 (2.111-018.0)	11
9502 Nozzle pack 090 (2.111-019.0)	13
9503 Nozzle pack 0110 (2.111-020.0)	15

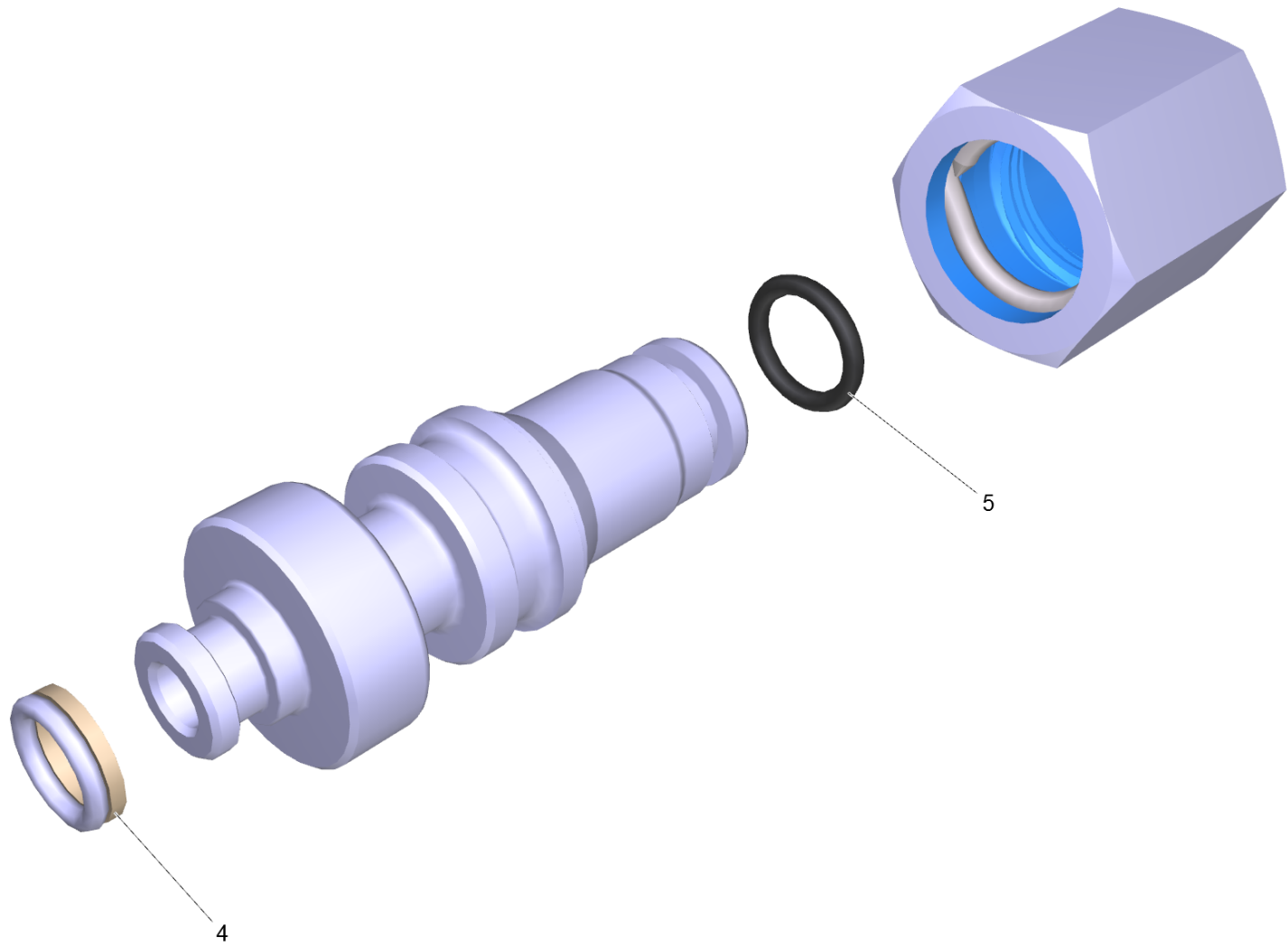
Easy-Foam-Set TR (2.112-010.0)

POS	Article no.	Description	Quantity	Unit
1		Injector complete TR	1	ST
3	4.117-021.0	Foam nozzle trapezoidal thread	1	ST
9500	2.111-009.0	Nozzle pack 055	1	ST
9501	2.111-018.0	Nozzle pack 060	1	ST
9502	2.111-019.0	Nozzle pack 090	1	ST
9503	2.111-020.0	Nozzle pack 0110	1	ST



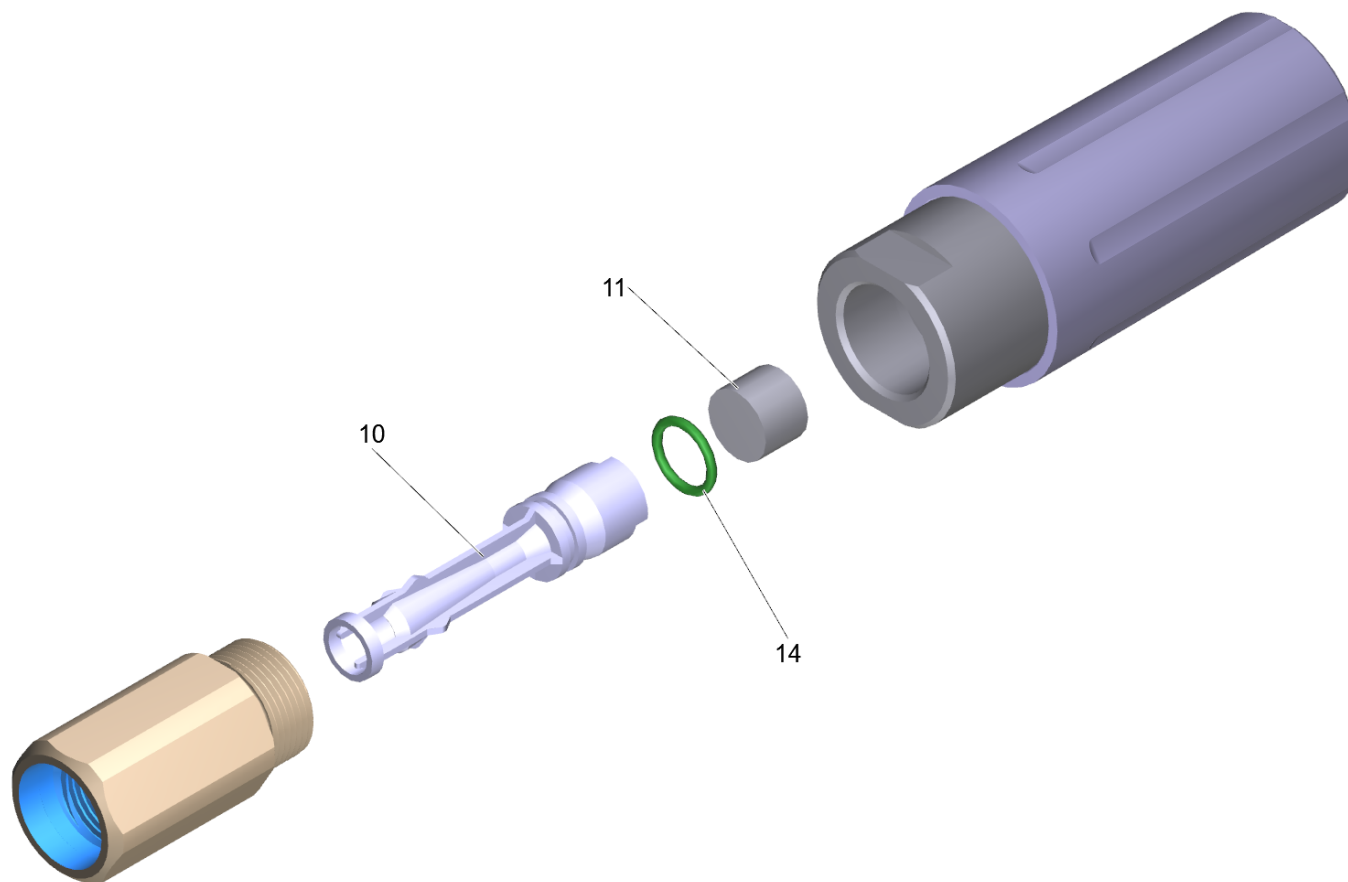
1 Injector complete TR

POS	Article no.	Description	Quantity	Unit
2		Connection injector TR	1	ST
3	5.304-088.0	Hexagonal head screw	1	ST
4	5.553-465.0	Piston	1	ST
5	5.584-134.0	Valve pin	1	ST
6	5.581-285.0	Valve seat	1	ST
7	5.332-512.0	Helical spring	1	ST
11	4.037-013.0	Hook	1	ST
12	6.362-365.0	O-Ring seal complete 1ST.-R.- 7,65X 1,7	1	ST
13	6.363-045.0	O-Ring seal 8X1,25 NBR	1	ST
16	7.306-206.0	Screw M4x10 -A2-70 ISO 14583	1	ST
19	5.061-031.0	Housing	1	ST
20	5.108-257.0	Turned part	1	ST
21	5.110-988.0	Sleeve	1	ST
22	4.584-423.0	Valve pin complete only for replacement	1	ST
23	7.307-360.0	Threaded pin M 5X 6-A2-21H ISO 4029	1	ST
24	6.362-388.0	O-Ring seal 8,0x1,5 -EPDM 70	1	ST
25	6.362-930.0	O-Ring seal 5,0 X 1,5	1	ST
26	5.321-733.0	Handhold	1	ST
27	5.032-634.0	Moulded part	1	ST
29	5.731-652.0	Filter with weight	1	ST
30	6.388-216.0	Hose DN 5	1	M
31	5.411-161.0	CLOSING SCREW M10X1	1	ST
32	6.362-703.0	O-Ring seal 6,0x1,5-NBR 70	1	ST
33	5.394-378.0	Protecting cap TR 22	1	ST



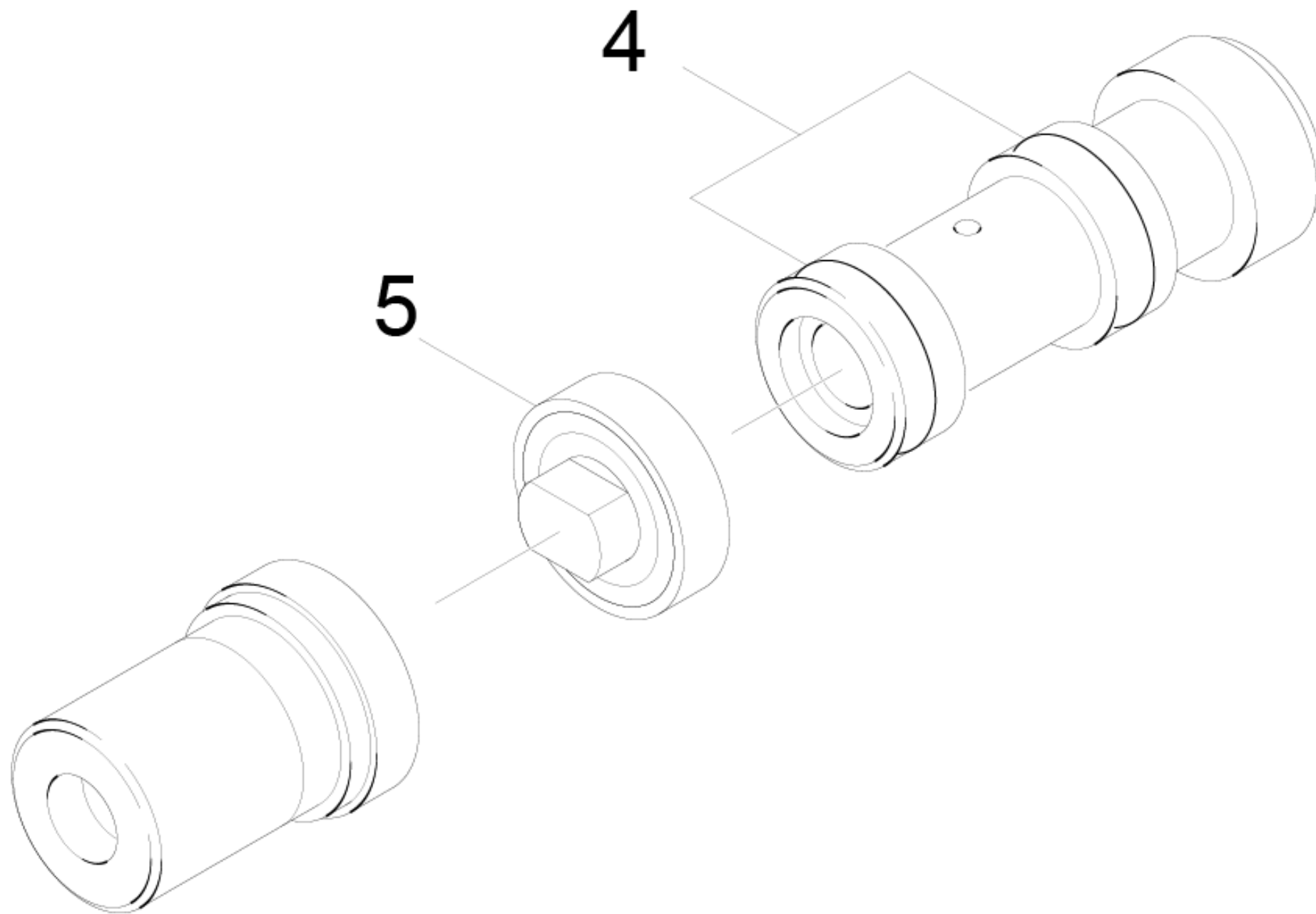
2 Connection injector TR

POS	Article no.	Description	Quantity	Unit
4	6.362-365.0	O-Ring seal complete 1ST.-R.- 7,65X 1,7	2	ST
5	6.363-485.0	O-Ring seal 10x 2 mm HNBR Shore 80	1	ST



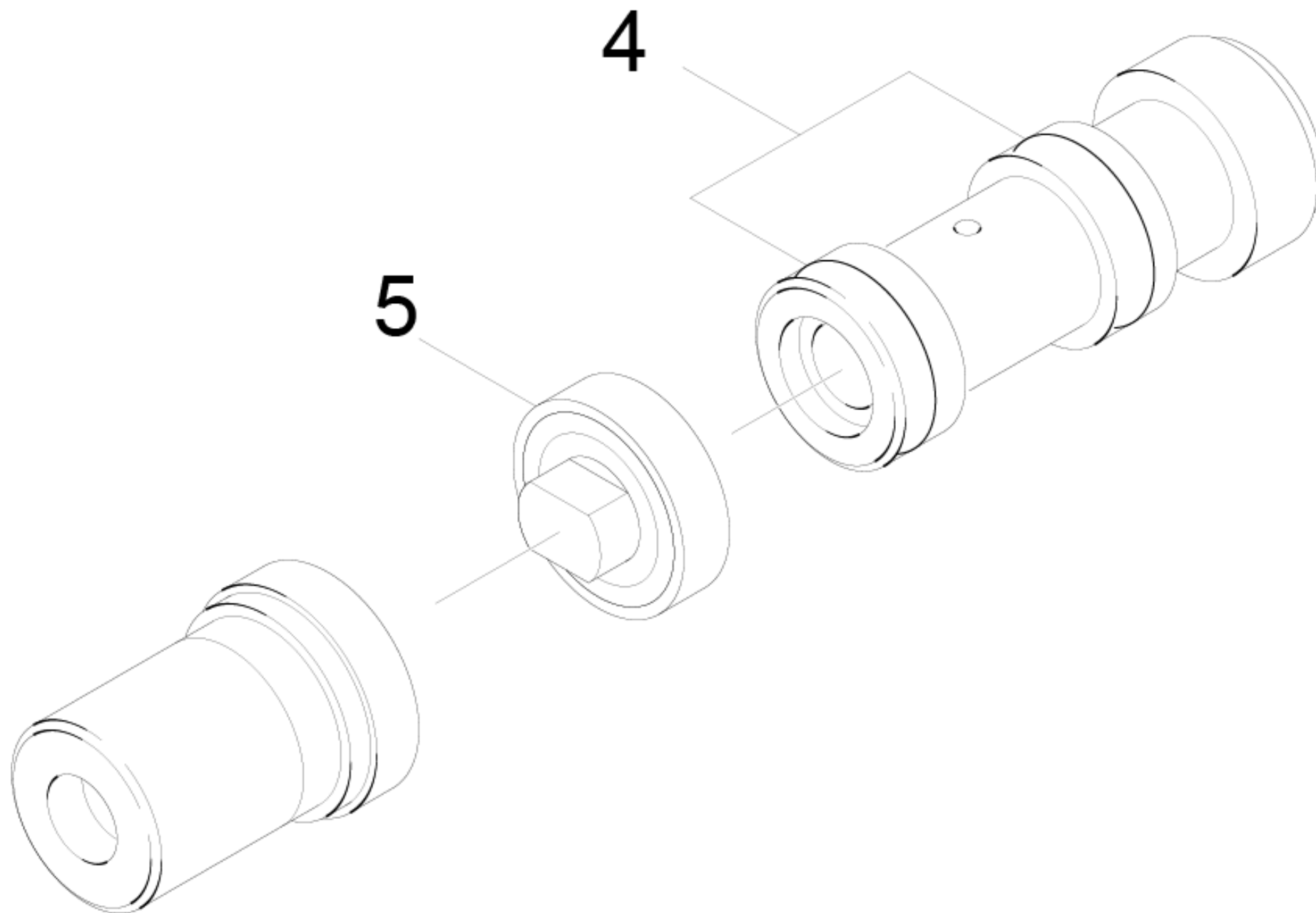
3 Foam nozzle trapezoidal thread (4.117-021.0)

POS	Article no.	Description	Quantity	Unit
10	6.415-525.0	Venturi nozzle	1	ST
11	6.414-356.0	Wire mesh	1	ST
14	6.365-000.0	O-Ring seal 12,0 x 2,0 EPDM	1	ST



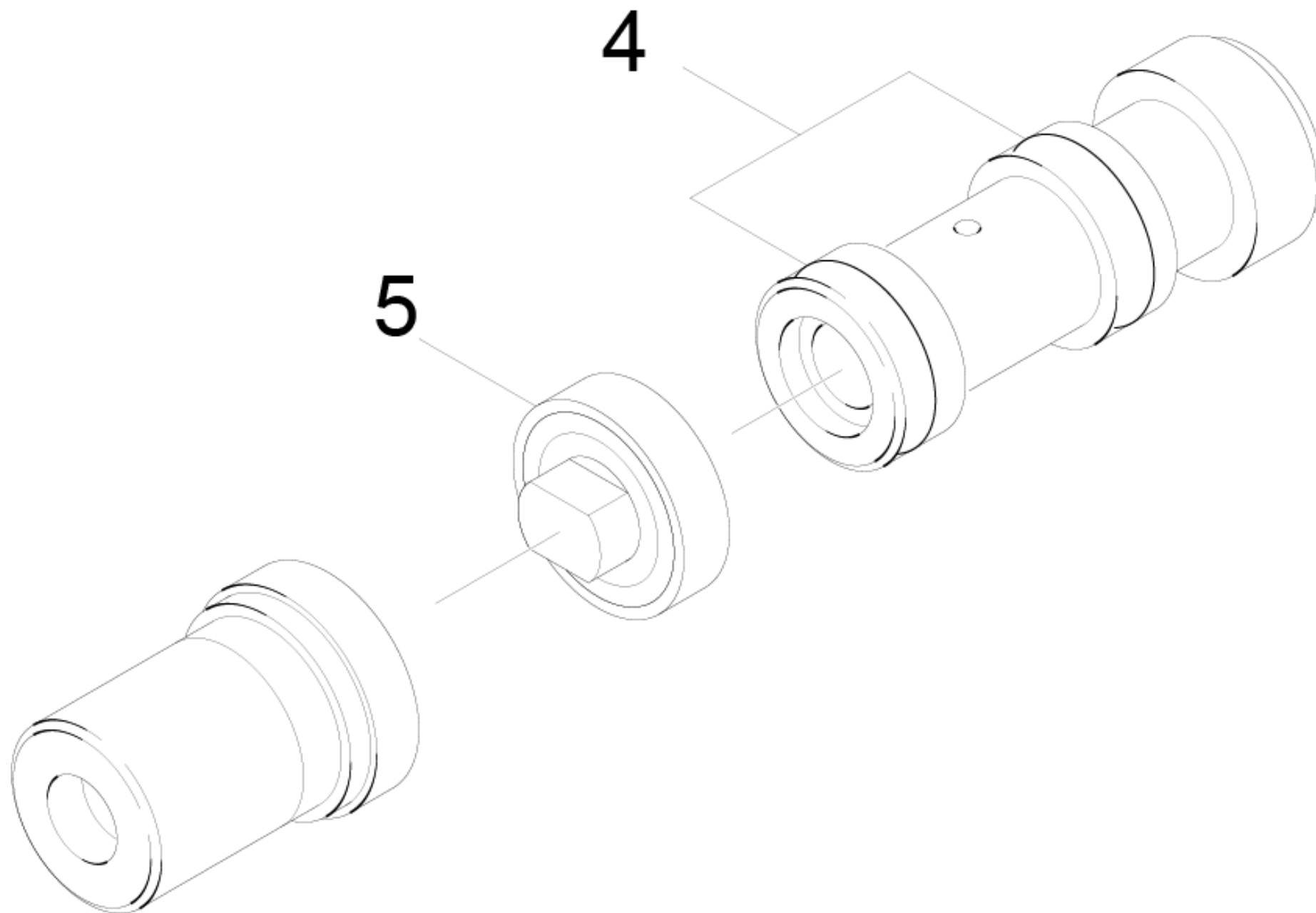
9500 Nozzle pack 055 (2.111-009.0)

POS	Article no.	Description	Quantity	Unit
4	6.365-519.0	O-Ring seal 9,0x1,5 EPDM	2	ST
5	4.100-827.0	Spare parts set moulded part 3x	1	ST



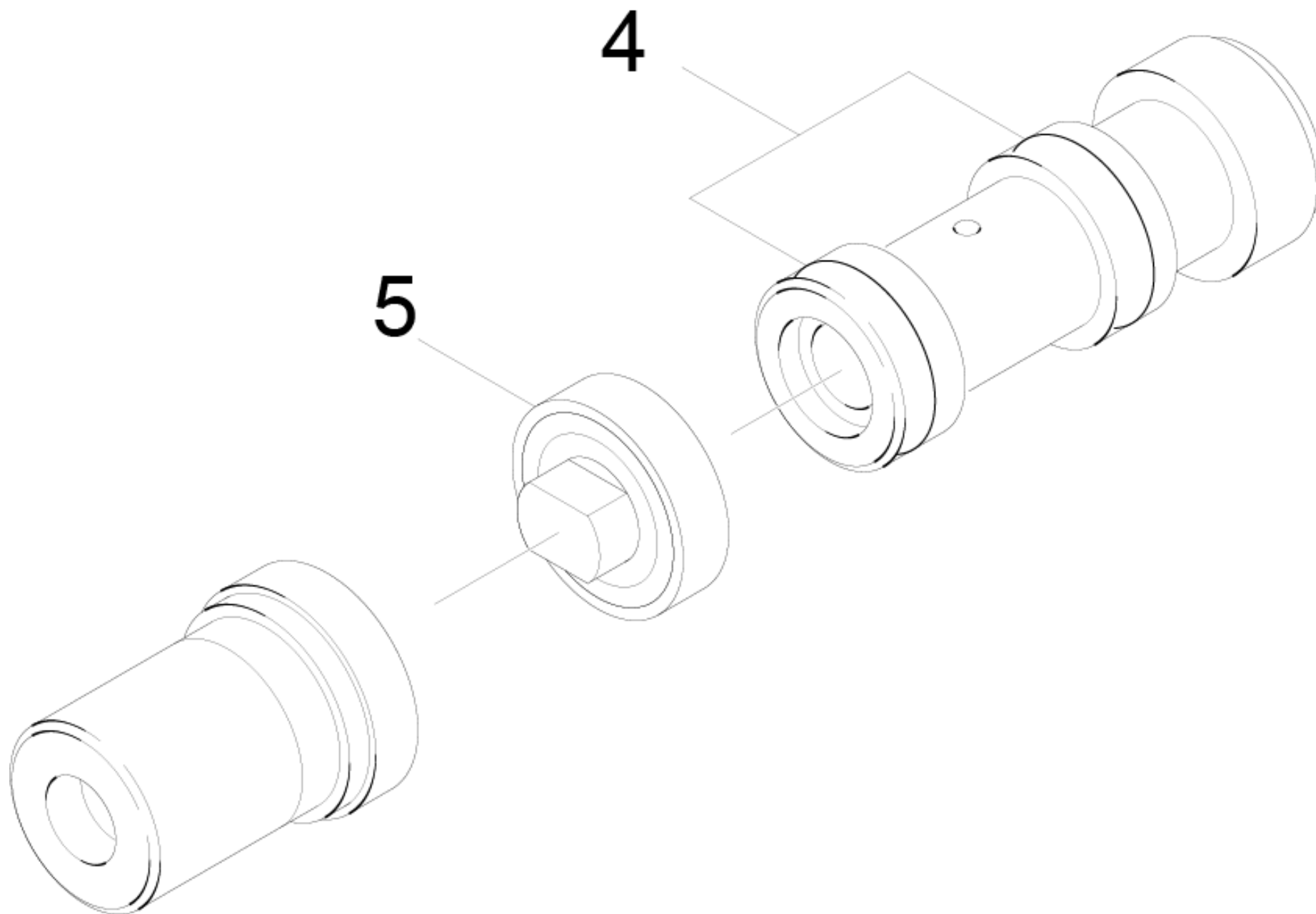
9501 Nozzle pack 060 (2.111-018.0)

POS	Article no.	Description	Quantity	Unit
4	6.365-519.0	O-Ring seal 9,0x1,5 EPDM	2	ST
5	4.100-827.0	Spare parts set moulded part 3x	1	ST



9502 Nozzle pack 090 (2.111-019.0)

POS	Article no.	Description	Quantity	Unit
4	6.365-519.0	O-Ring seal 9,0x1,5 EPDM	2	ST
5	4.100-827.0	Spare parts set moulded part 3x	1	ST



9503 Nozzle pack 0110 (2.111-020.0)

POS	Article no.	Description	Quantity	Unit
4	6.365-519.0	O-Ring seal 9,0x1,5 EPDM	2	ST
5	4.100-827.0	Spare parts set moulded part 3x	1	ST