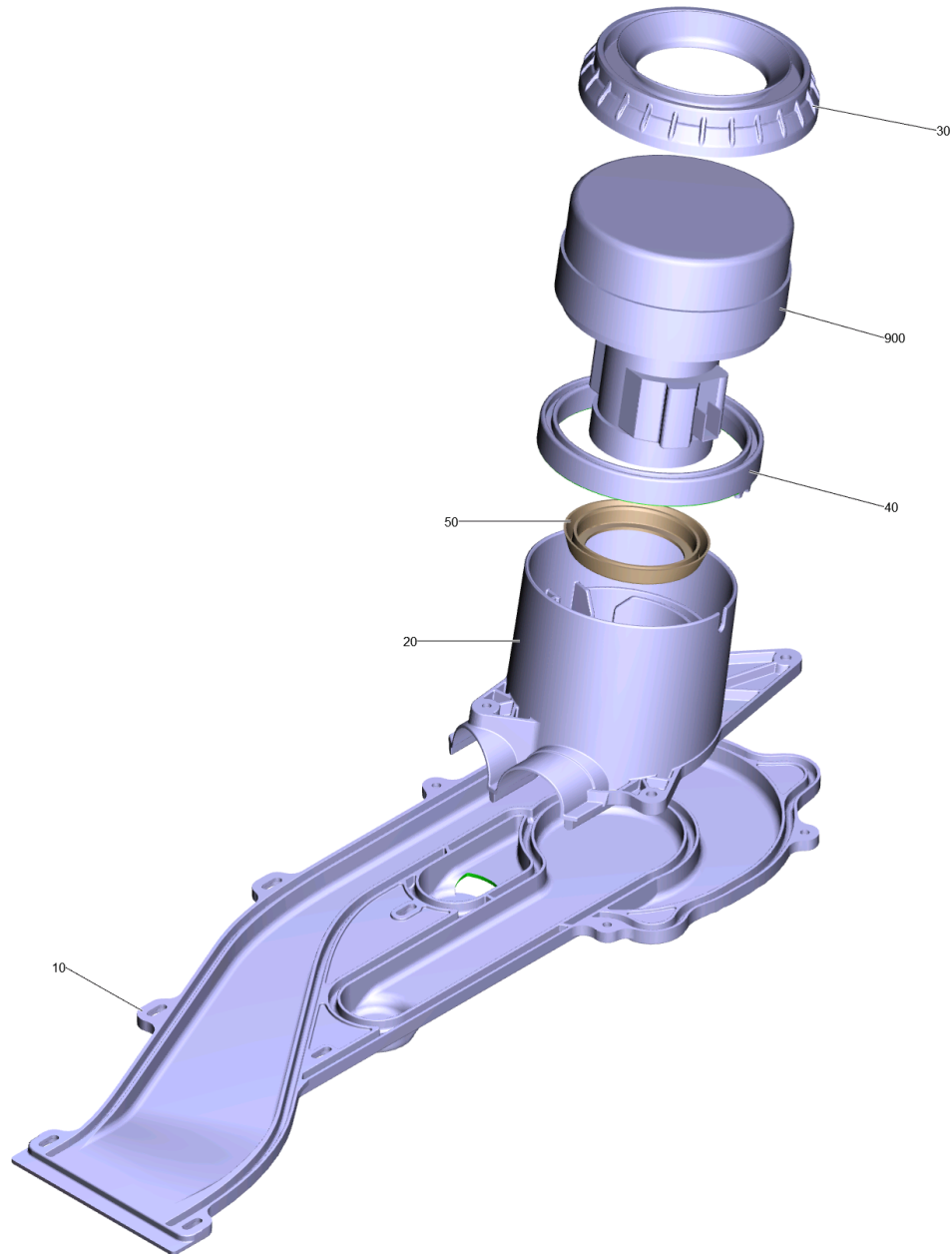


100 Vacuum motor enclosure

Professional \ Floor cleaner \ Walk behind \ B 40 \ B 40 C Bp Dose \ Basic machinery B40 \ Vacuum motor enclosure



100 Vacuum motor enclosure

Professional \ Floor cleaner \ Walk behind \ B 40 \ B 40 C Bp Dose \ Basic machinery B40 \ Vacuum motor enclosure

POS	Article no.	Description	Quantity	Unit
10	5.034-034.0	Air circulation turbine above foamed	1	PC
20	5.034-032.0	Air circulation turbine bottom	1	PC
910	4.034-009.0	Air circulation turbine replacement	1	PC
30	5.035-333.0	Bearing vacuum motor	1	PC
40	5.035-332.0	Joint ring turbine	1	PC
50	5.363-395.0	Seal	1	PC
900	4.035-420.0	Vacuum motor replacement	1	PC
900	4.035-580.0	Vacuum motor replacement	1	PC

Item text1: successor of 4.035-420.0