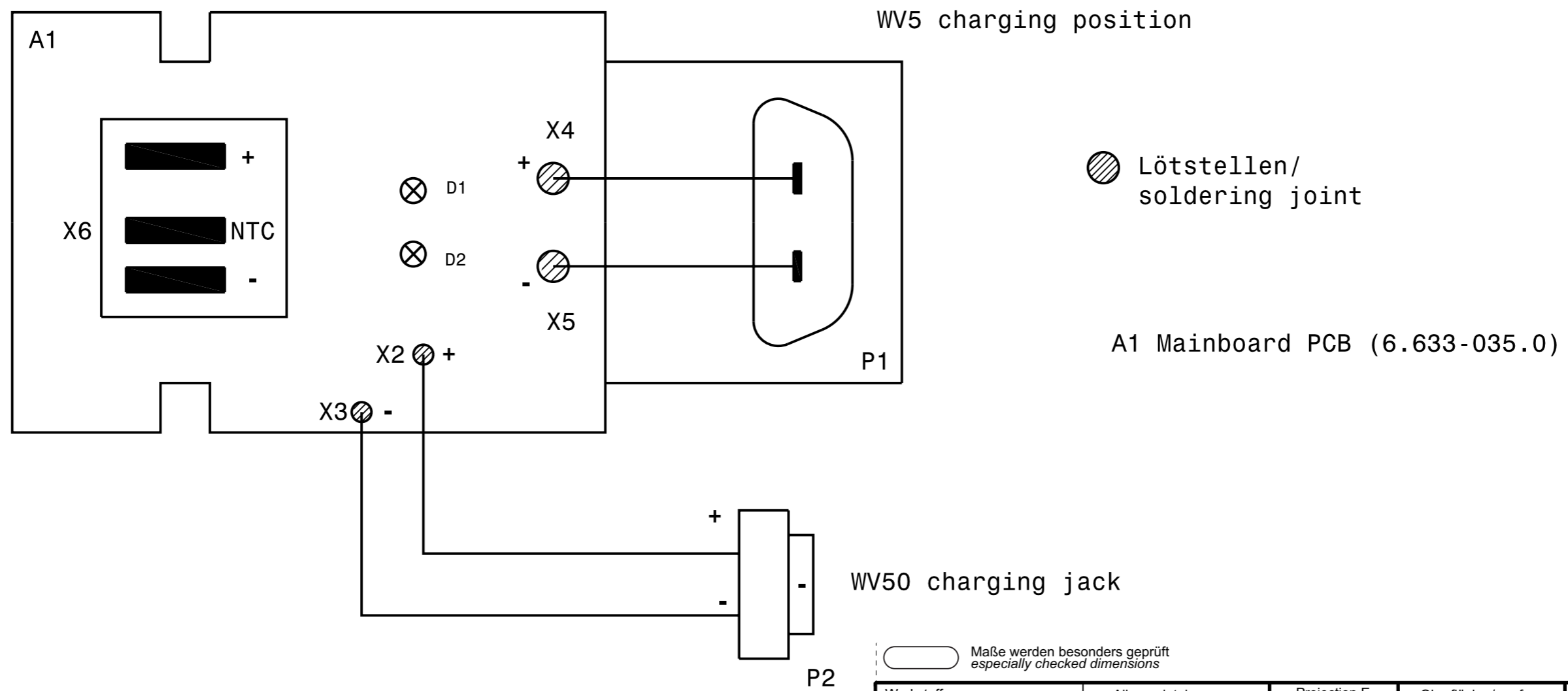


Compliance with the current version of Kärcher standard KN 050.032 Constituent substances (ban of lead, cadmium, etc.) must be guaranteed. Standard date format according to ISO 8601 (YYYY-MM-DD).
 The reproduction, distribution and utilization of this document as well as the communication of its contents to others without explicit authorization is prohibited. Offenders will be held liable for the payment of damages.
 All rights reserved in the event of the grant of a patent, utility model or design. Copyright © Alfred Kärcher GmbH & Co. KG

- X6 Akku Kontaktsystem/ Steckerseite / Accumulator connection system/ Male-Port / Batterie contact système/ fiche mâle / Bateria contato sistema/ macho de enchufe
- P1 WV5 Ladeposition (angelötet an X4 und X5)/ WV5 charging position (already soldered to X4 and X5)/ WV5 charger position (soudé à X4 et X5)/ WV5 carga posición (soldado a X4 y X5)
- P2 WV50 Ladebuchse (Stromversorgung für die Platine)/ WV50 charging jack (power supply for the board)/ WV50 charger jack (alimentación pour la platine)/ WV50 carga enchufe (alimentación por la platina)
- D₁ LED rot/ LED red/ LED rouge/ LED roja
- D₂ LED grün/ LED green/ LED verte/ LED verde



<input type="checkbox"/> Maße werden besonders geprüft especially checked dimensions		Erstmusterprüfung <input type="checkbox"/> first sample examination Bescheinigung EN 10204 <input type="checkbox"/> certification EN 10204	
Werkstoff material / substance	Allgemeintoleranzen general tolerances	Projection E 	Oberfläche / surface EN ISO 1302
Halbzeug semi finished product	Tolerierung / toleration	dimensions in mm	Material-Nr. / material no. 0.089-708.0
Benennung / description SLP Ladestation Wiring diagram charging station			
Werkstoffbez. / mat. designation <input type="checkbox"/> geprüft checked	Schweißtechn. / welding techn. <input type="checkbox"/> checked	document	number type version status scale sheet of
		Ladestation-WV 5_SLP	5434817 SLP 00 FR 1:1 1 1
Datum date	Gezeichnet drawn by	Gepreüft checked by	Normgeprüft std. checked by
2014-10-15	AW11001	AW11001	AW03274
		Änderung / Engineering change	Ersatz für / replaces
		index Anzahl / count number	Datum / date index
		0 0	2049512