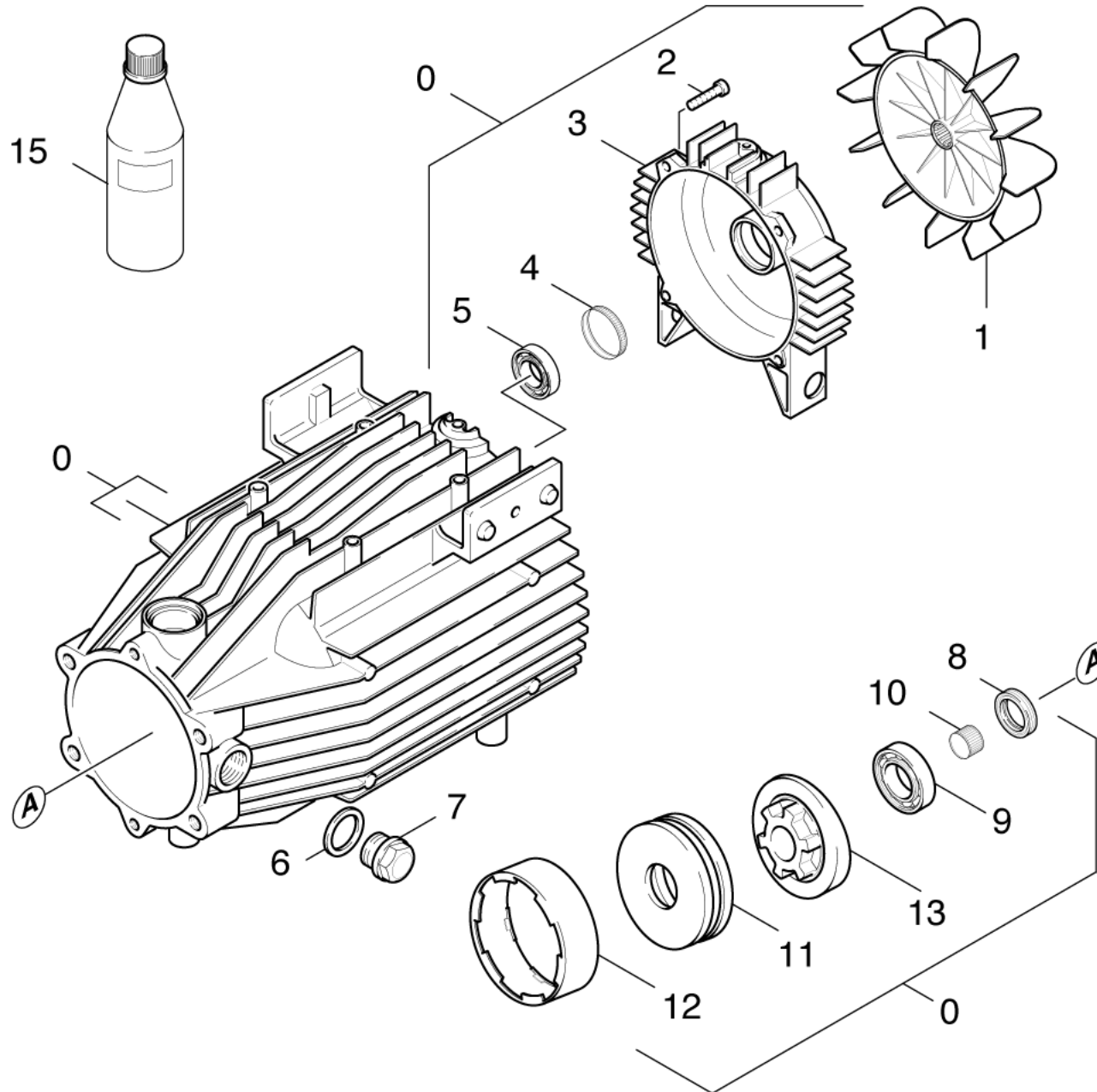


# 31 Transmission

Professional \ High pressure cleaner cold water \ Electric motor \ HD 655 S \* UL \ Spare parts list HD 655S /CDN \ Motor \ Transmission



## 31 Transmission

Professional \ High pressure cleaner cold water \ Electric motor \ HD 655 S \* UL \ Spare parts list HD 655S /CDN \ Motor \ Transmission

**KÄRCHER**

POS	Article no.	Description	Quantity	Unit
9	6.401-427.0	Angular contact ball bearing	1.000	ST
5	6.401-331.0	Ball bearing	1.000	ST
1	5.600-030.0	Blower wheel 695	1.000	ST
3	5.063-445.0	Cover	1.000	ST
11	4.401-096.0	Deep groove ball thrust bearing only for	1.000	ST
15	6.288-050.0	Engine oil 1L	1.000	ST
12	5.015-046.0	PROFILE RING	1.000	ST
8	7.367-008.0	Radial shaft seal ring A25x35x7-NBR DIN	1.000	ST
2	7.303-048.0	Screw M6x20 -St-R3R (In6Rd)	4.000	ST
7	5.411-062.0	Screw plug	1.000	ST
6	6.362-585.0	Seal	1.000	ST
0	7.777-999.0	Stockpiling discontinued	1.000	ST
10	6.343-016.0	Tolerance ring 20X14	1.000	ST
4	6.343-015.0	Tolerance ring 35X6	1.000	ST
13	5.120-240.0	Wobble plate	1.000	ST