

Spare parts list

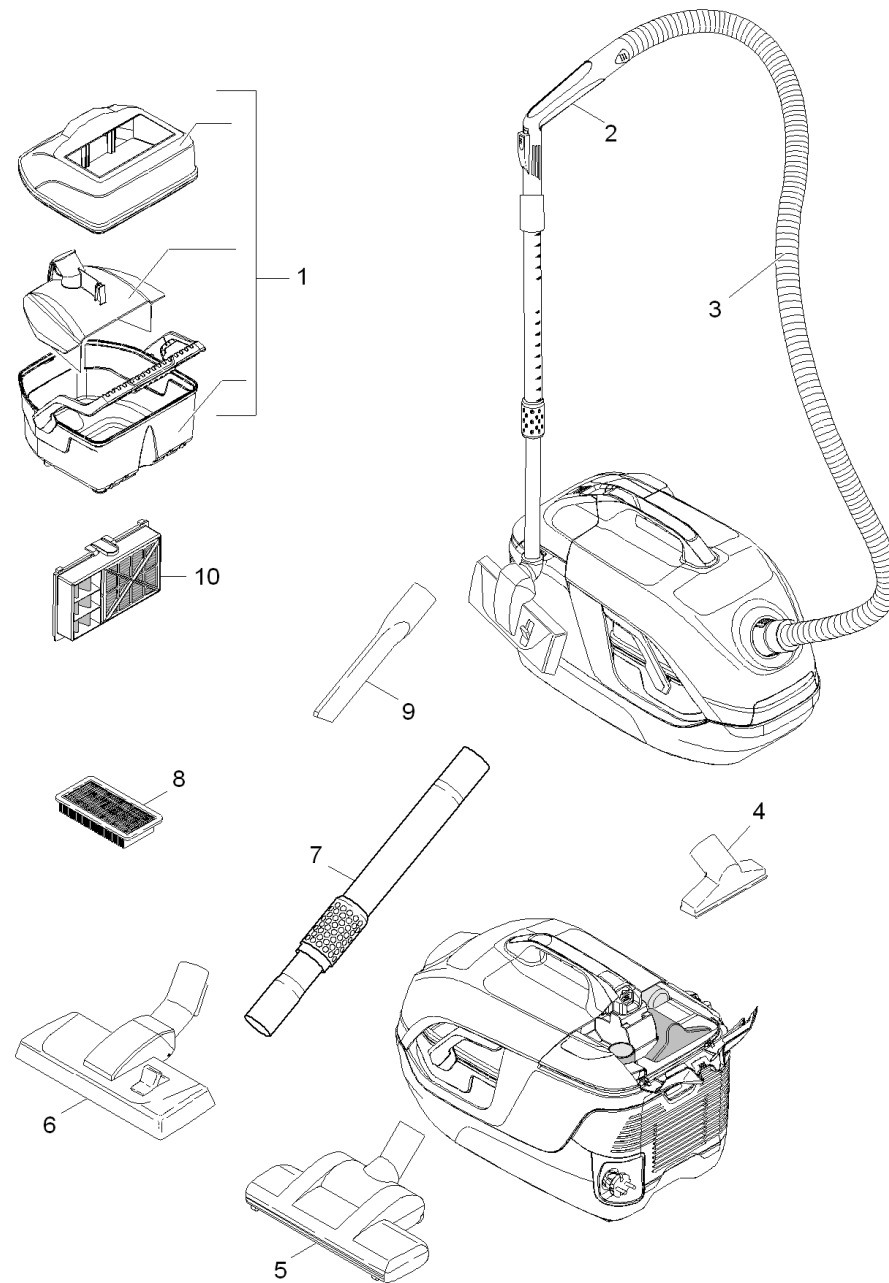
(1.195-202.0) DS 6.000 (white) Mediclean *RU

Table of contents

DS 6.000 (white) Mediclean *RU (1.195-202.0)	3
Short spare parts list	4
220 Spare parts list DS 6.000 Mediclean (5.972-107.0)	6
10 Cover	7
3 Slider complete for replacement (4.195-224.0)	9
7 Upper housing set replacement DS 6.000 (4.195-255.0)	11
20 Vacuum motor	13
1 Air circulation complete for replacement (4.195-226.0)	15
13 Housing bottom part for replacement (4.195-227.0)	17
30 Water filter	19
1 Water filter blue replacement (4.195-072.0)	21
1 Water filter complete for replacement (4.195-223.0)	23
40 Accessories	25

DS 6.000 (white) Mediclean *RU (1.195-202.0)

POS	Article no.	Description	Quantity	Unit
0		Short spare parts list	1.000	ST
220	5.972-107.0	Spare parts list DS 6.000 Mediclean	1.000	ST

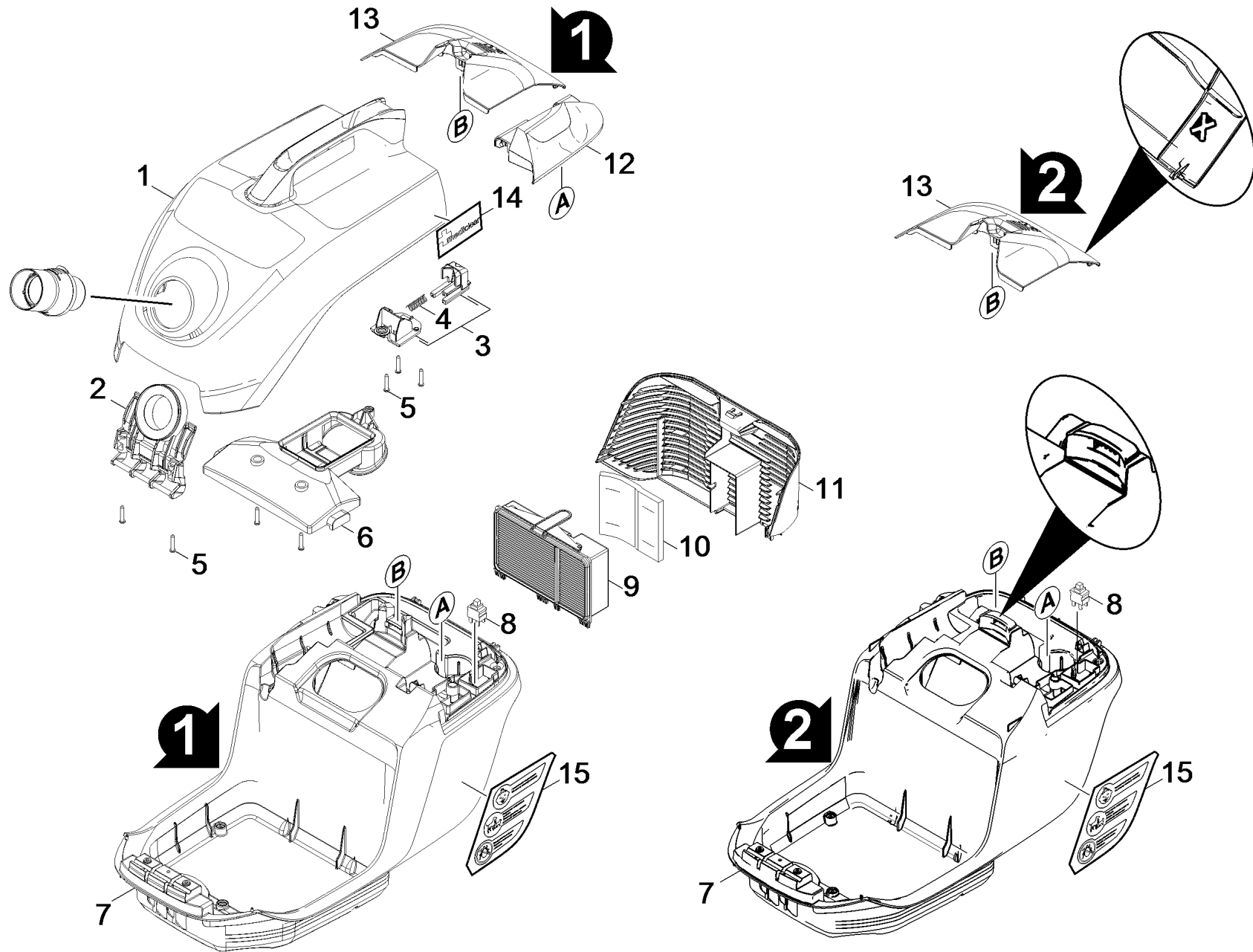


Short spare parts list

POS	Article no.	Description	Quantity	Unit
1	4.195-072.0	Water filter blue replacement	1.000	ST
2	4.195-247.0	Hand grip complete replacement	1.000	ST
3	6.901-058.0	Suction hose complete	1.000	ST
4	6.906-622.0	Upholstery nozzle	1.000	ST
5	6.907-376.0	Turbo brush	1.000	ST
6	6.906-894.0	Floor tool black RD270 DN35	1.000	ST
7	6.902-127.0	Telescopic tube	1.000	ST
8	6.414-631.0	Filter motor protecting	1.000	ST
9	5.195-196.0	Crevice nozzle	1.000	ST
10	2.860-273.0	Filter HEPA 13 DS	1.000	ST

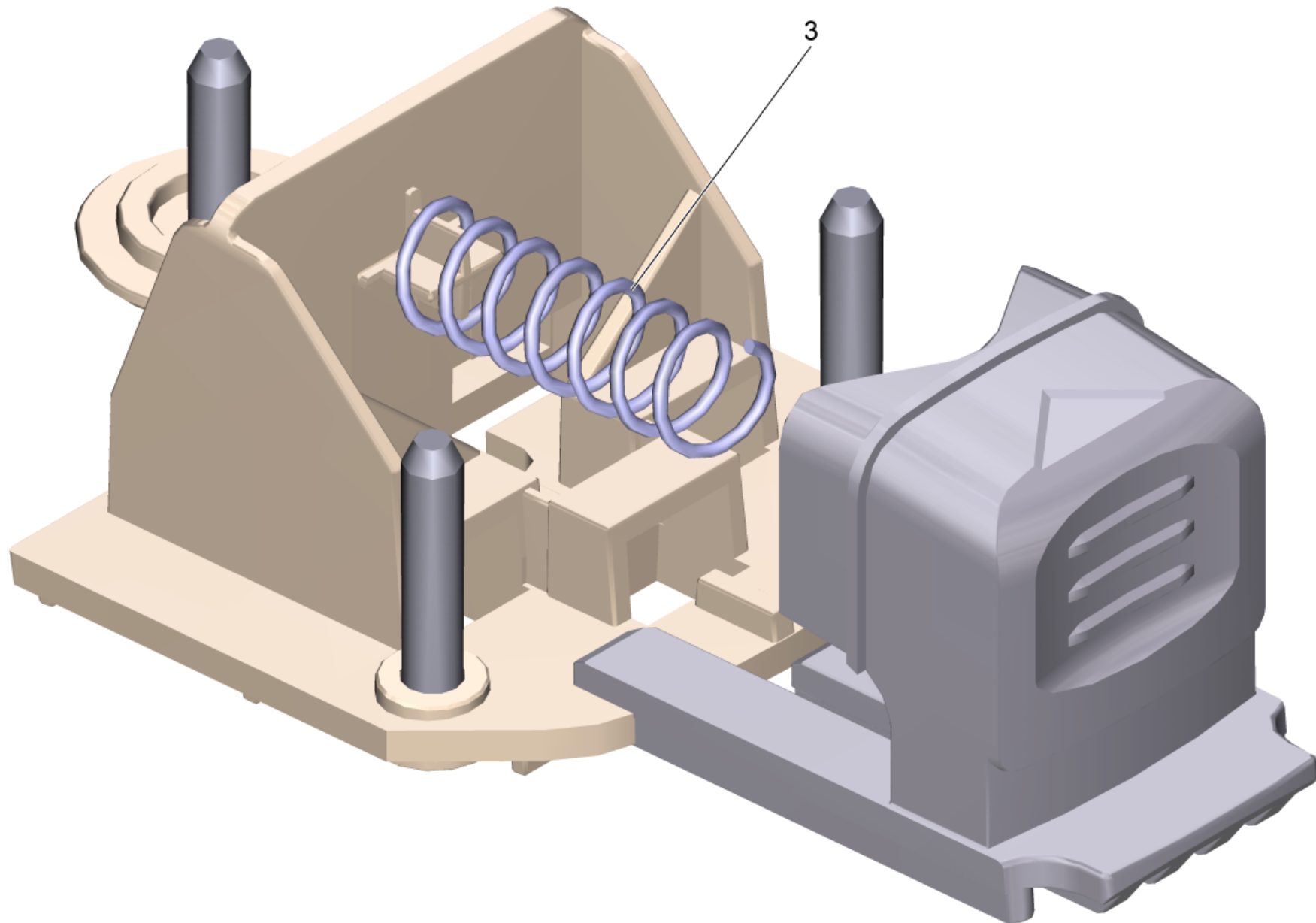
220 Spare parts list DS 6.000 Mediclean (5.972-107.0)

POS	Description	Quantity	Unit
10	Cover	1.000	ST
20	Vacuum motor	1.000	ST
30	Water filter	1.000	ST
40	Accessories	1.000	ST



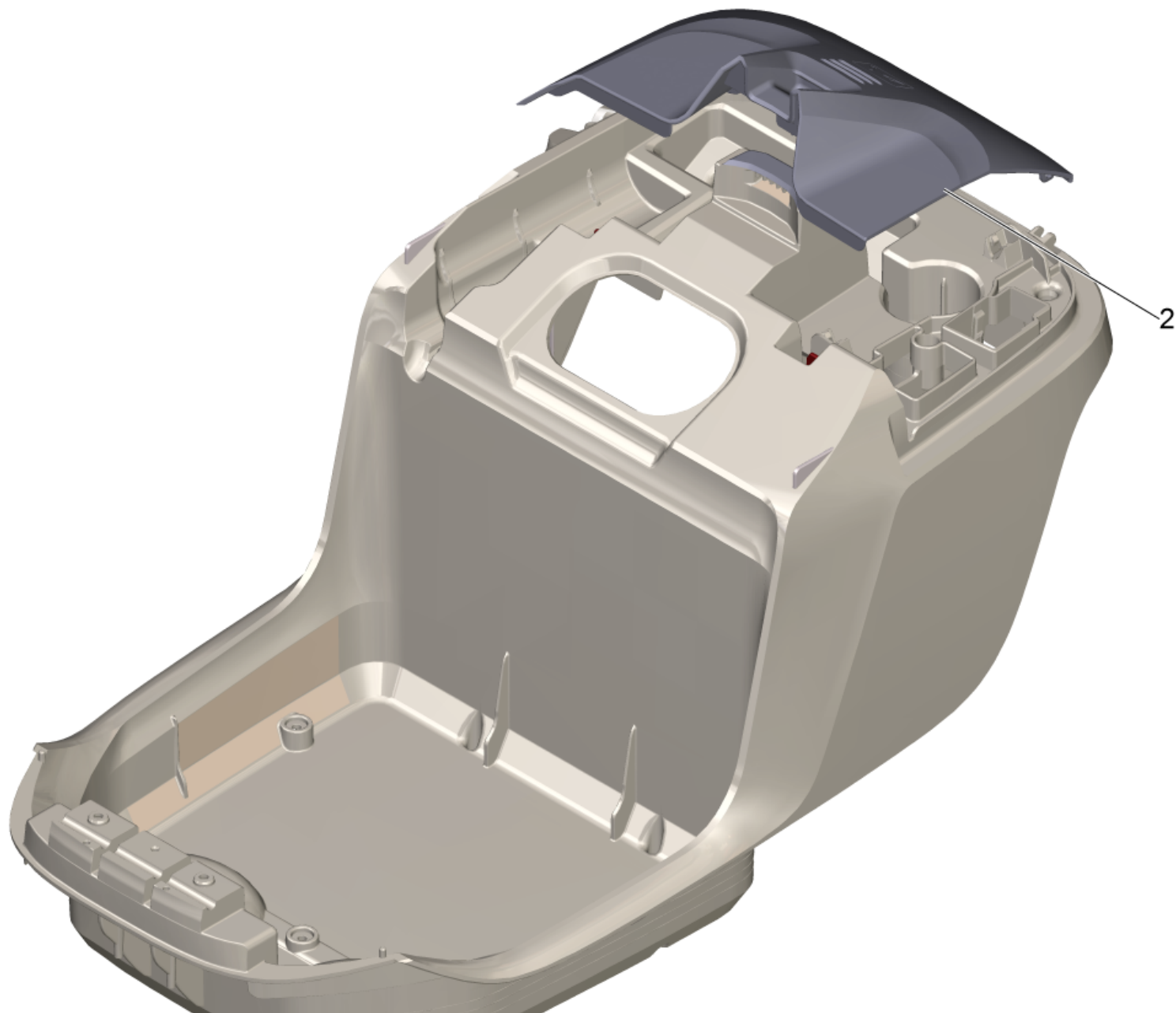
10 Cover

POS	Article no.	Description	Quantity	Unit	Remark	Foot note text
1	4.195-230.0	Front flap for replacement DS 6.000	1.000	ST		
2	5.195-367.0	Stop suction hose	1.000	ST		
3	4.195-224.0	Slider complete for replacement	1.000	ST		
4	5.332-169.0	Pressure spring	1.000	ST		
5	7.303-096.0	Screw 4x22 -ST-10.9-R2R (IN6RD)	7.000	ST		
6	5.195-368.0	Air duct	1.000	ST		
7	4.195-255.0	Upper housing set replacement DS 6.000	1.000	ST		
8	6.630-650.0	Main switch	1.000	ST		
9	2.860-273.0	Filter HEPA 13 DS	1.000	ST		
10	6.195-241.0	Insulation mat exhaust air flap DS 6.000	1.000	ST		
11	4.195-236.0	Air exhaust louver for replacement DS 6.	1.000	ST		
12	4.195-233.0	Pushbutton on off DS 6.000	1.000	ST		
13	5.195-198.3	Accessories flap for replacement DS 6.00	1.000	ST		VERSION 2
13	4.195-234.0	Accessories flap for replacement DS 6.00	1.000	ST		VERSION 1
14	5.195-393.0	Label Mediclean	1.000	ST		
15	5.195-408.0	Label Seite Mediclean engl.	1.000	ST	/*EU	
15	5.195-392.0	Label side Mediclean	1.000	ST	/*RU	



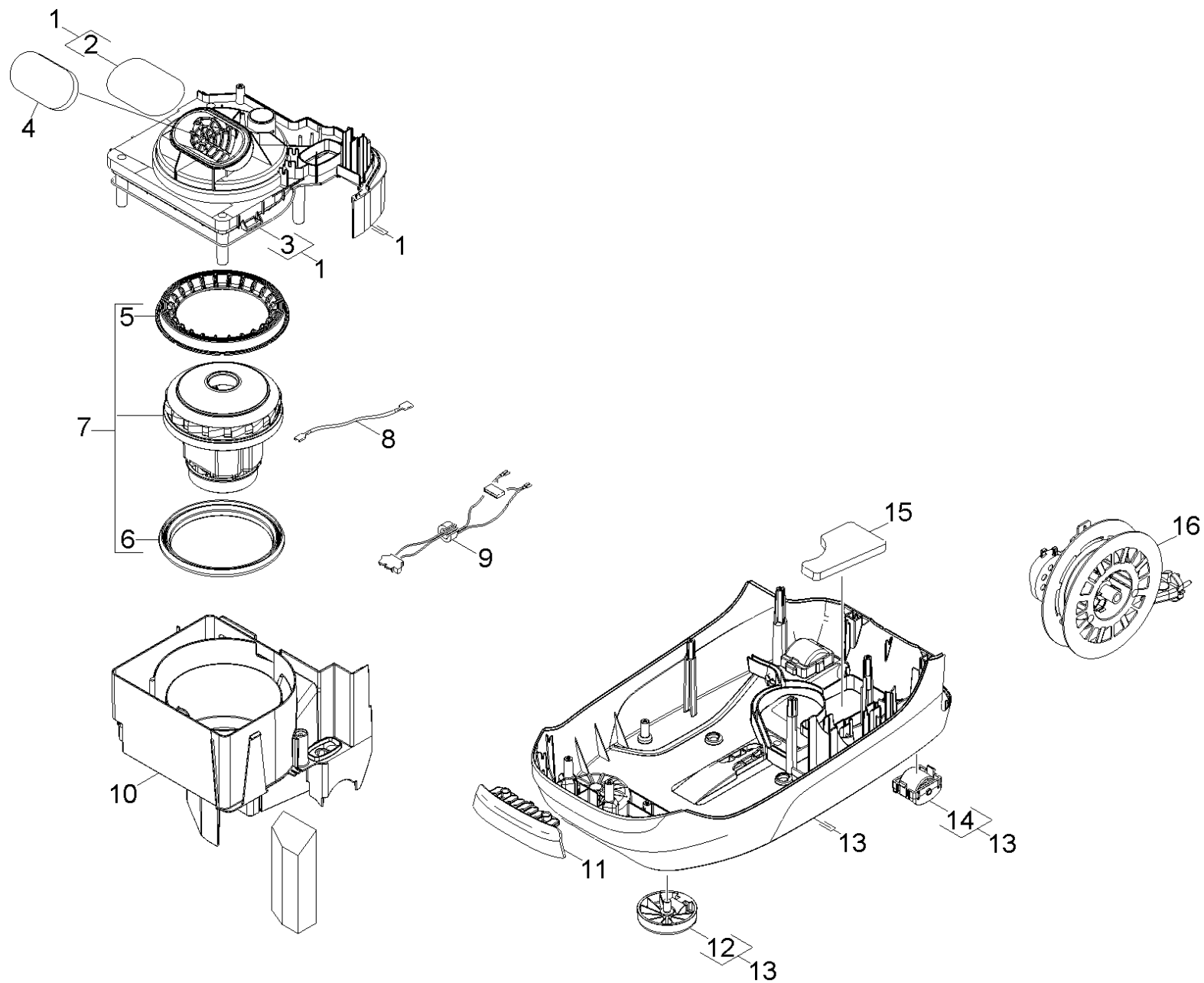
3 Slider complete for replacement (4.195-224.0)

POS	Article no.	Description	Quantity	Unit
3	5.332-169.0	Pressure spring	1.000	ST



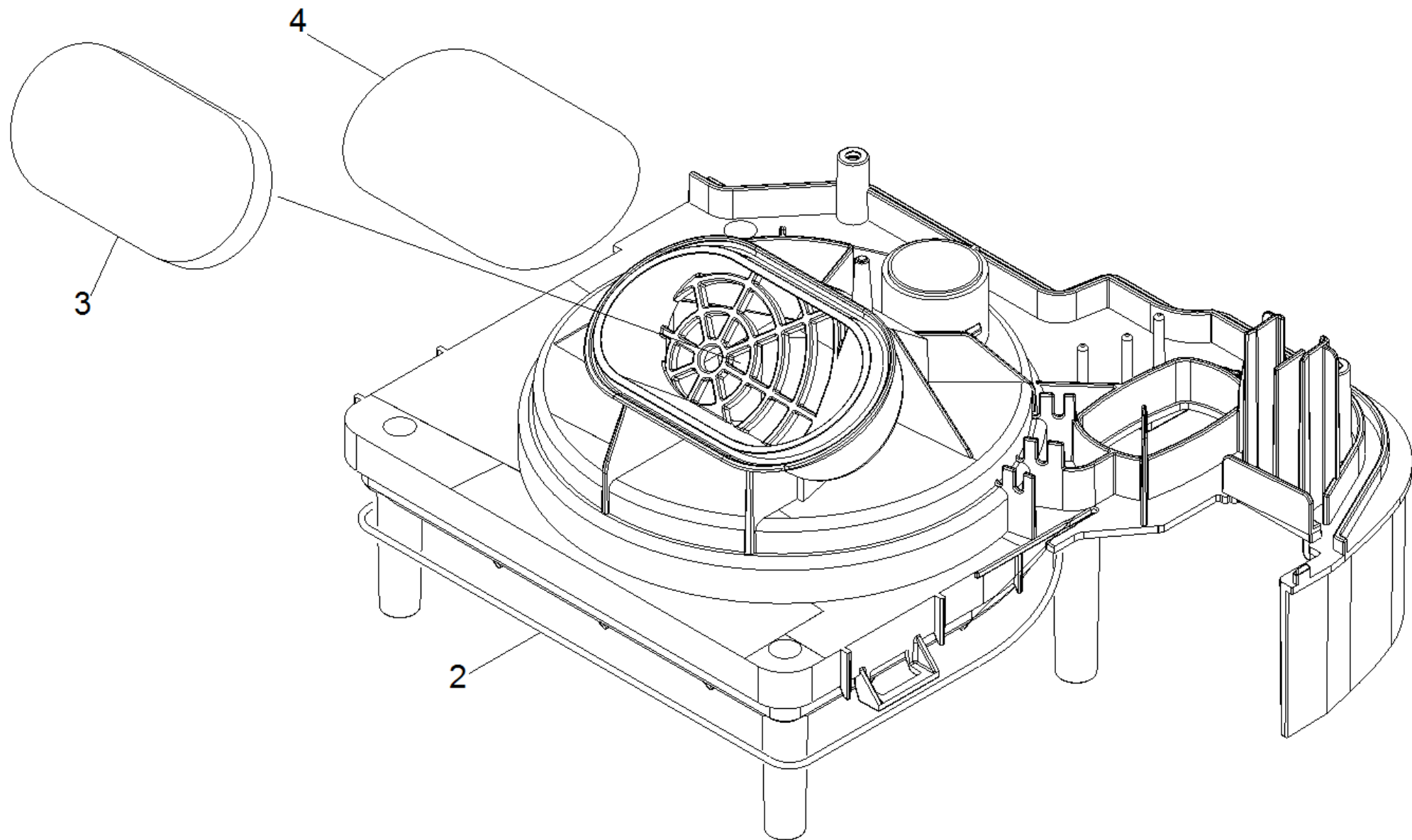
7 Upper housing set replacement DS 6.000 (4.195-255.0)

POS	Article no.	Description	Quantity	Unit
2	5.195-198.3	Accessories flap for replacement DS 6.00	1.000	ST



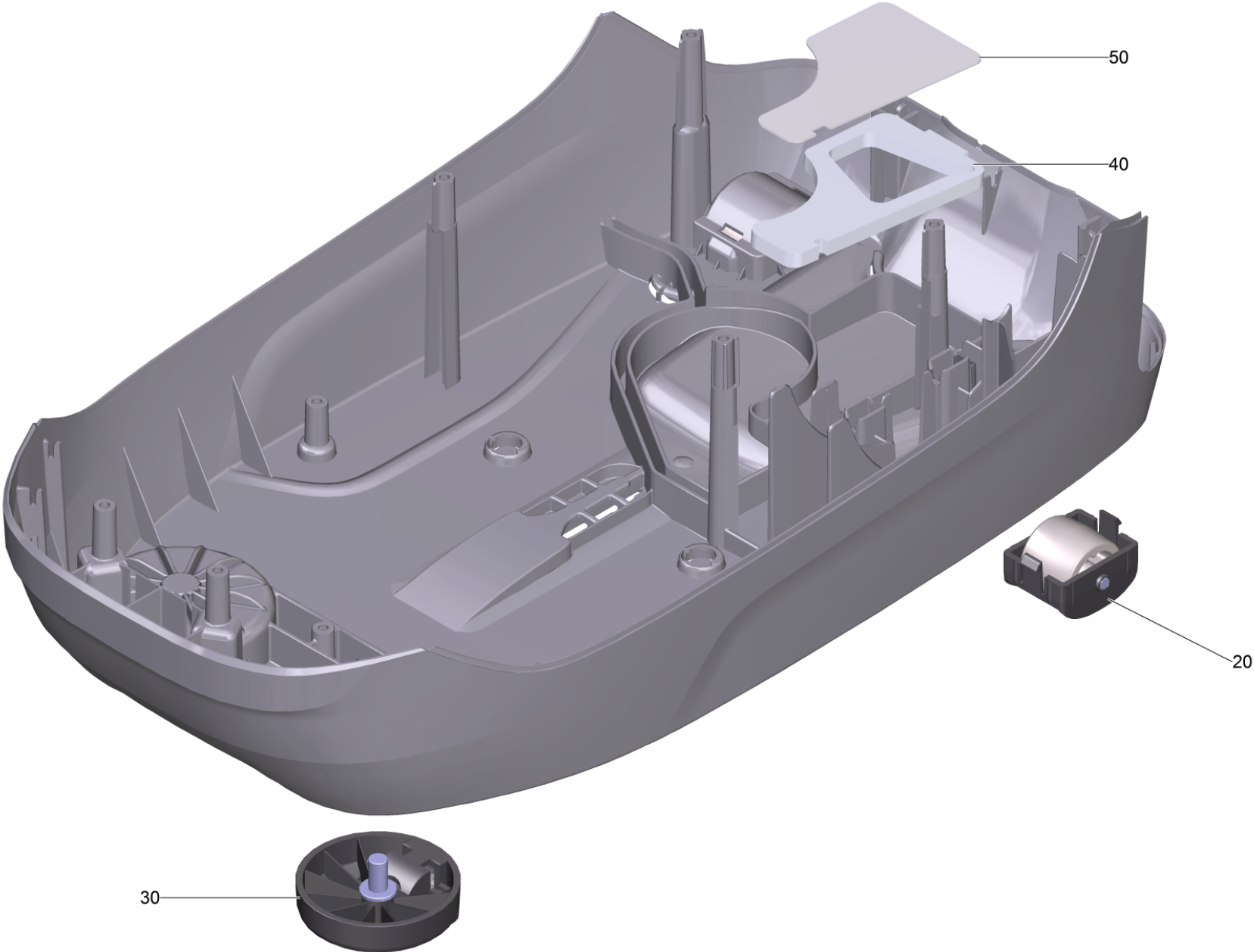
20 Vacuum motor

POS	Article no.	Description	Quantity	Unit	Remark
1	4.195-226.0	Air circulation complete for replacement	1.000	ST	
2	5.195-398.0	Seal air circulation DS 6.000	1.000	ST	
3	5.195-376.0	Seal string DS 6.000	1.000	ST	
4	6.195-239.0	Foam insert air circulation DS 6.000	1.000	ST	
5	9.079-050.0	Motor sealing	1.000	ST	
6	9.079-024.0	Seal motor above	1.000	ST	
7	4.195-225.0	Vacuum motor 900W	1.000	ST	
8	6.195-249.0	Cable DS 6.000	1.000	ST	
9	4.195-231.0	Cable with capacitor	1.000	ST	
10	5.195-370.0	Motor mount	1.000	ST	
11	4.195-235.0	Bearing for replacement DS 6.000	1.000	ST	
12	4.195-220.0	Castor complete black	2.000	ST	
13	4.195-227.0	Housing bottom part for replacement	1.000	ST	
14	4.195-219.0	Fixed castor complete black	2.000	ST	
15	6.195-240.0	Foam insert GUT DS 6.000	1.000	ST	
16	4.195-229.0	Cable automatic complete for replacement	1.000	ST	/*EU
16	4.195-054.0	Cable automatic complete for replacement	1.000	ST	/*GB



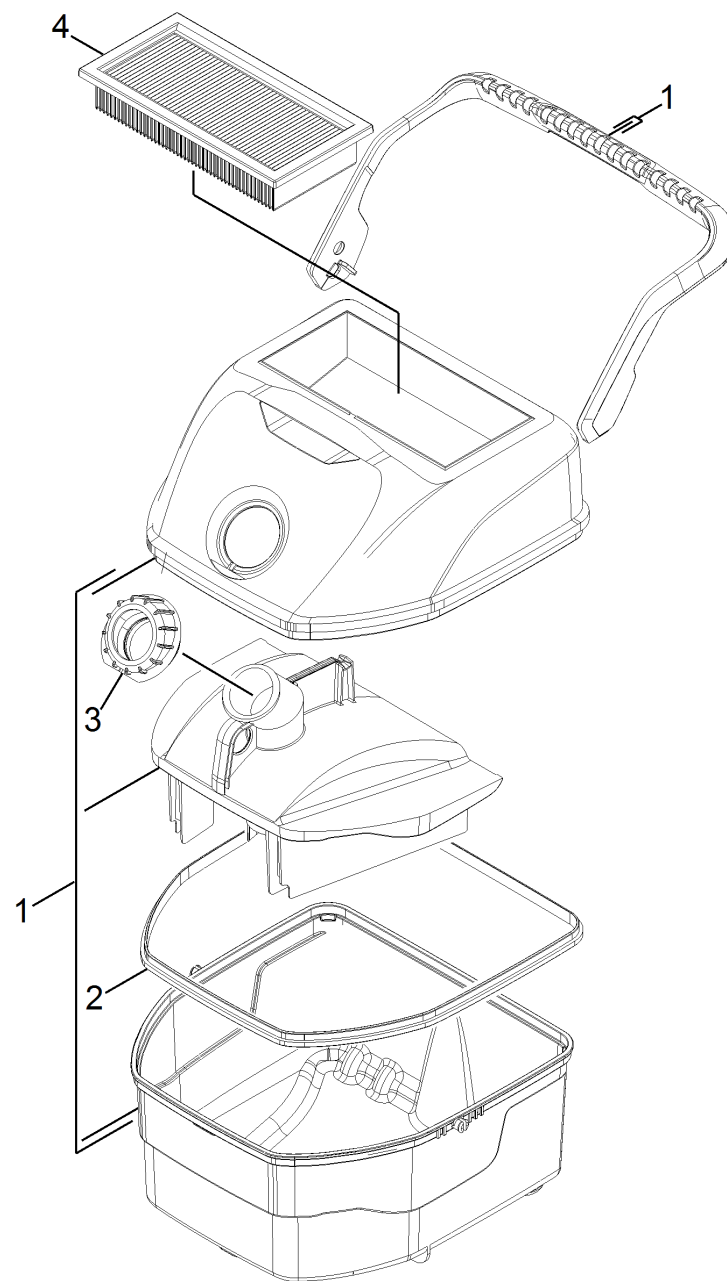
1 Air circulation complete for replacement (4.195-226.0)

POS	Article no.	Description	Quantity	Unit
2	5.195-376.0	Seal string DS 6.000	1.000	ST
3	6.195-239.0	Foam insert air circulation DS 6.000	1.000	ST
4	5.195-398.0	Seal air circulation DS 6.000	1.000	ST



13 Housing bottom part for replacement (4.195-227.0)

POS	Article no.	Description	Quantity	Unit
20	4.195-219.0	Fixed castor complete black	2.000	ST
30	4.195-220.0	Castor complete black	2.000	ST
40	6.195-075.0	Foam insert bottom housing DS 6	1.000	ST
50	6.195-074.0	Filter GUT	1.000	ST



30 Water filter

POS	Article no.	Description	Quantity	Unit
1	4.195-223.0	Water filter complete for replacement	1.000	ST
1	4.195-072.0	Water filter blue replacement	1.000	ST
	Item text1: nur für 1.195-202.0			
2	5.195-350.0	Seal box water	1.000	ST
3	5.195-366.0	Seal baffle plate	1.000	ST
4	6.414-631.0	Filter motor protecting	1.000	ST



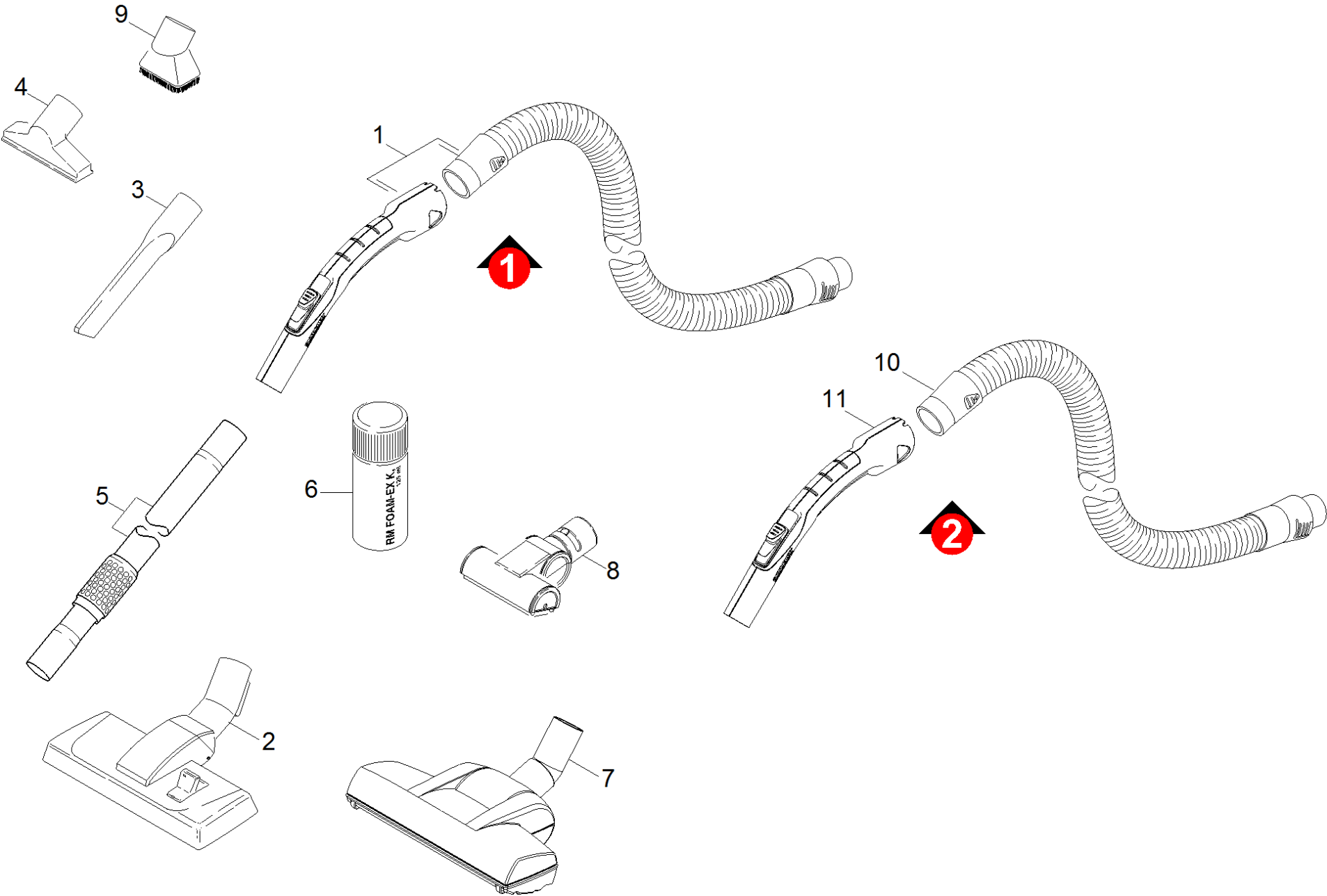
1 Water filter blue replacement (4.195-072.0)

POS	Article no.	Description	Quantity	Unit
2	5.195-366.0	Seal baffle plate	1.000	ST
6	5.195-350.0	Seal box water	1.000	ST



1 Water filter complete for replacement (4.195-223.0)

POS	Article no.	Description	Quantity	Unit
2	5.195-366.0	Seal baffle plate	1.000	ST
6	5.195-350.0	Seal box water	1.000	ST



40 Accessories

POS	Article no.	Description	Quantity	Unit	Serial number from	Remark	Foot note text
1	4.195-097.0	Suction hose complete for replacement	1.000	ST			VERSION 1
2	6.906-894.0	Floor tool black RD270 DN35	1.000	ST			
3	5.195-196.0	Crevice nozzle	1.000	ST			
4	6.906-622.0	Upholstery nozzle	1.000	ST			
5	6.902-148.0	Telescopic tube stainless steel	1.000	ST		/*SEA	
5	6.902-127.0	Telescopic tube	1.000	ST		/*RU	
6	6.290-852.0	RM FOAMSTOP neutral,125ml*DE,FR,IT,EN,NL	1.000	ST			
7	6.907-376.0	Turbo brush	1.000	ST			
8	2.903-001.0	Turbo nozzle upholstery	1.000	ST			
9	6.906-623.0	Nozzle furniture brush	1.000	ST			
10	6.901-058.0	Suction hose complete	1.000	ST	11600	/*SEA	VERSION 2
10	6.901-058.0	Suction hose complete	1.000	ST	46451	/*RU	VERSION 2
11	4.195-247.0	Hand grip complete replacement	1.000	ST	11600	/*SEA	VERSION 2
11	4.195-247.0	Hand grip complete replacement	1.000	ST	46451	/*RU	VERSION 2