

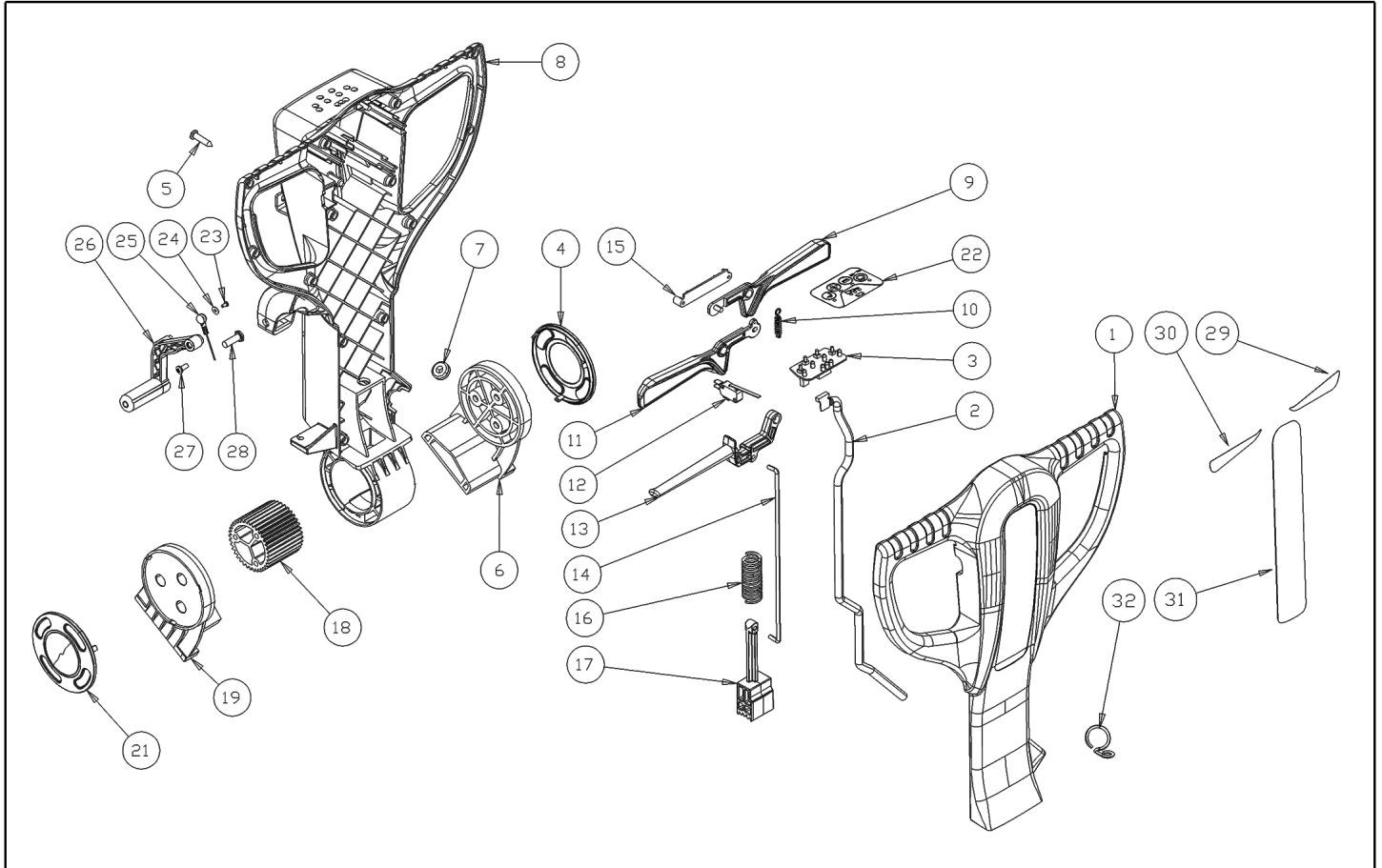


**IPC**

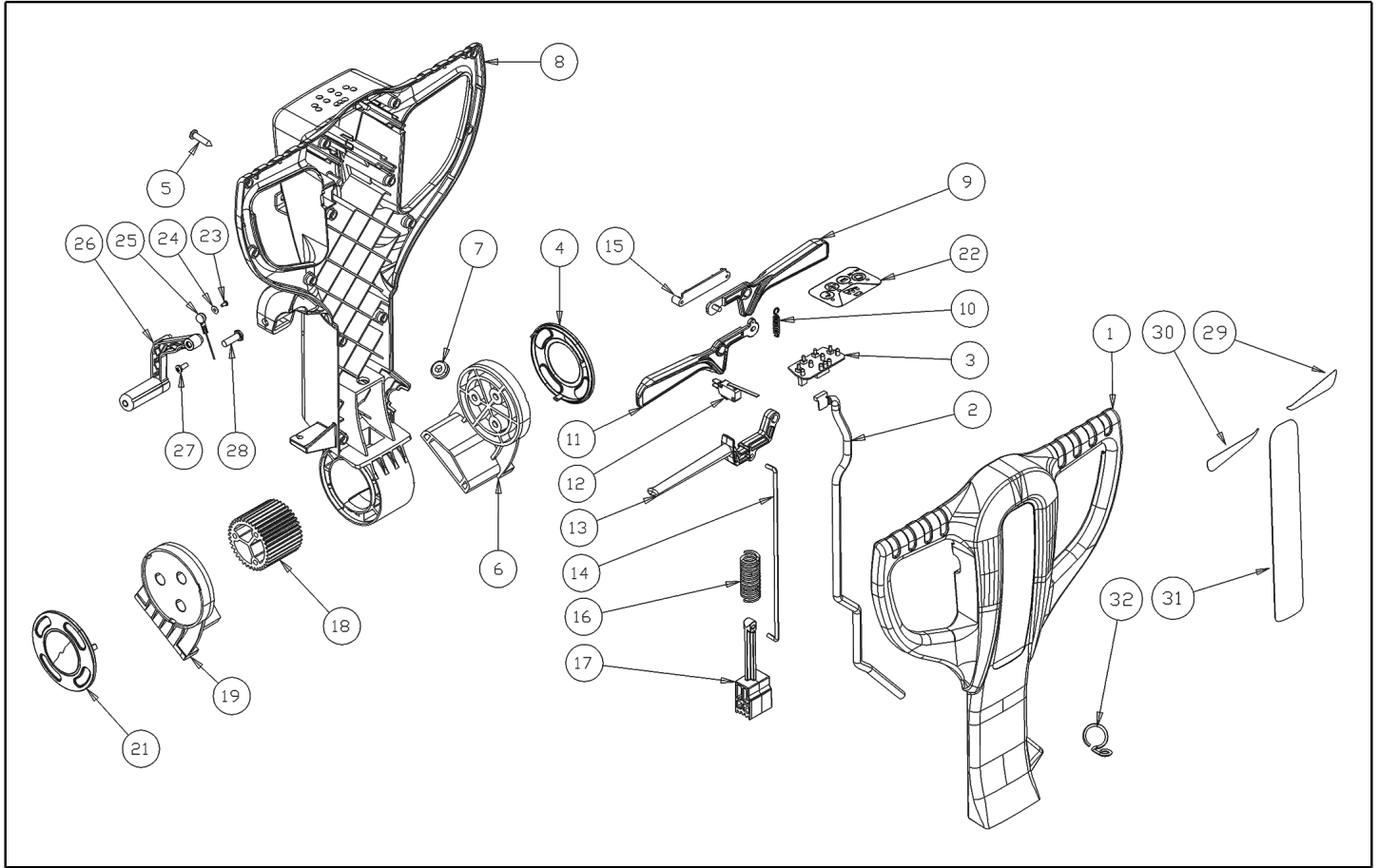
**Spare parts list**

Ref: LPTB01861

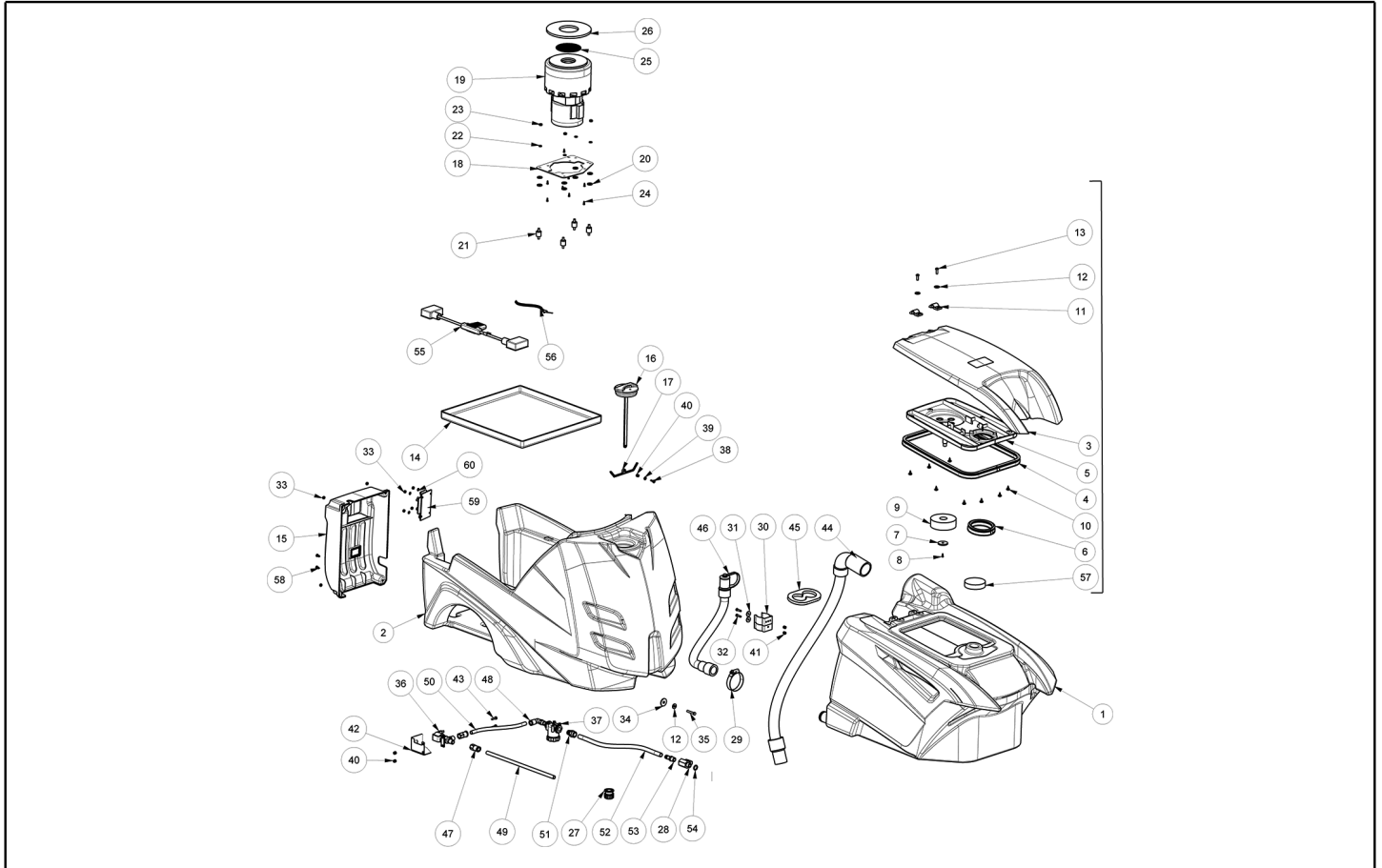
Model: FLOOR WASHER CT46 B50+CB GR/VE USA



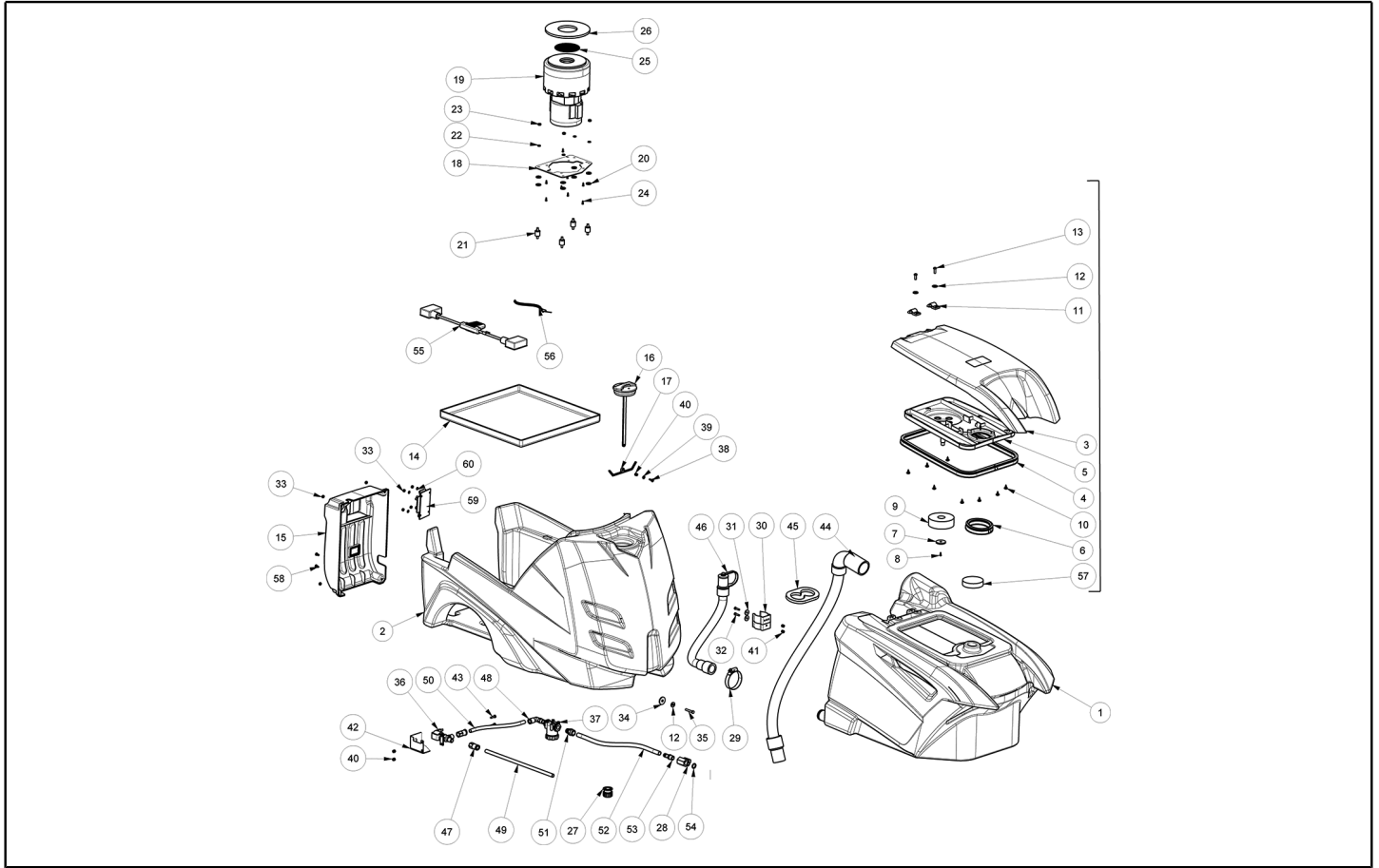
Ref. K	Part n.	Customer part n.	Description	Quantity	Validity		Price
					From	To	
0001	MPVR06046		CRANKCASE NEW HANDLE FRONT 15-30-45	1,00			--
0002	MECB01326		WIRING FLAT CABLE CT45	1,00		20/09/2015	--
0002	MECB01257		CABLE RIBBON CT15	1,00	21/09/2015	25/11/2015	--
0002	MECB01396		WIRING	1,00	26/11/2015		--
0003	MECE00579		BOARD LOGIC CT45 24V	1,00		20/09/2015	--
0003	S MECE00605		BOARD LOGIC CT30 24V	1,00	21/09/2015		--
0004	MPVR06055		COVER -	1,00			--
0005	VTVT01371		SCREW 4,8X19	14,00			--
0006	MPVR06054		SHELL SX	1,00			--
0007	MPVR06057		FAIR-LEAD -	1,00			--
0008	MPVR06047		CRANKCASE -	1,00			--
0009	MPVR06048		LEVER SX	1,00			--
0010	MLML00336		SPRING -	1,00			--
0011	MPVR06049		LEVER DX	1,00			--
0012	MECI36393	SL23109	MICROSWITCH TRZ. DRW	1,00			--
0013	MPVR06050		LEVER ADJUSTMENT	1,00			--
0014	LAFN09221		LEVER RINVIO	1,00			--
0015	MPVR06298		SUPPORT ELECTRONIC CARD	1,00			--
0016	MLML00337		SPRING -	1,00			--
0017	MPVR06052		HANDLE SUPPORT	1,00			--
0018	MPVR06056		GEAR -	1,00			--
0019	MPVR06053		SHELL DX	1,00			--
0021	MPVR06055		COVER -	1,00			--
0022	ETET01780		LABEL -	1,00		20/09/2015	--
0022	ETET01842		LABEL -	1,00	21/09/2015		--
0023	VTVT00800	SL04303	SCREW TC 4X12 ZN	1,00	22/09/2014		--
0024	VTRS00251	SL06031	WASHER 4-16 INOX A2	1,00	22/09/2014		--
0025	CMCV00364		CABLE -	1,00	22/09/2014		--
0026	MPVR49942	SL17614	LEVER SQUEEGEE LIFTING PP	1,00	22/09/2014		--
0027	VTVT00796		SCREW TC 6X12	1,00	22/09/2014		--
0028	LAFN09248		PIN -	1,00	22/09/2014		--
0029	ETET01775		LABEL CT15 BLUE	1,00			--
0029	ETET01773		LABEL CT15 RED	1,00			--
0029	ETET01770		LABEL CT15 GREEN	1,00			--
0030	ETET01775		LABEL CT15 BLUE	1,00			--
0030	ETET01773		LABEL CT15 RED	1,00			--
0030	ETET01770		LABEL CT15 GREEN	1,00			--
0031	ETET01774		LABEL CT15 BLUE	1,00			--
0031	ETET01772		LABEL CT15 RED	1,00			--
0031	ETET01769		LABEL CT15 GREEN	1,00			--
0032	LAFN11049		HOOK -	1,00	15/04/2016		--



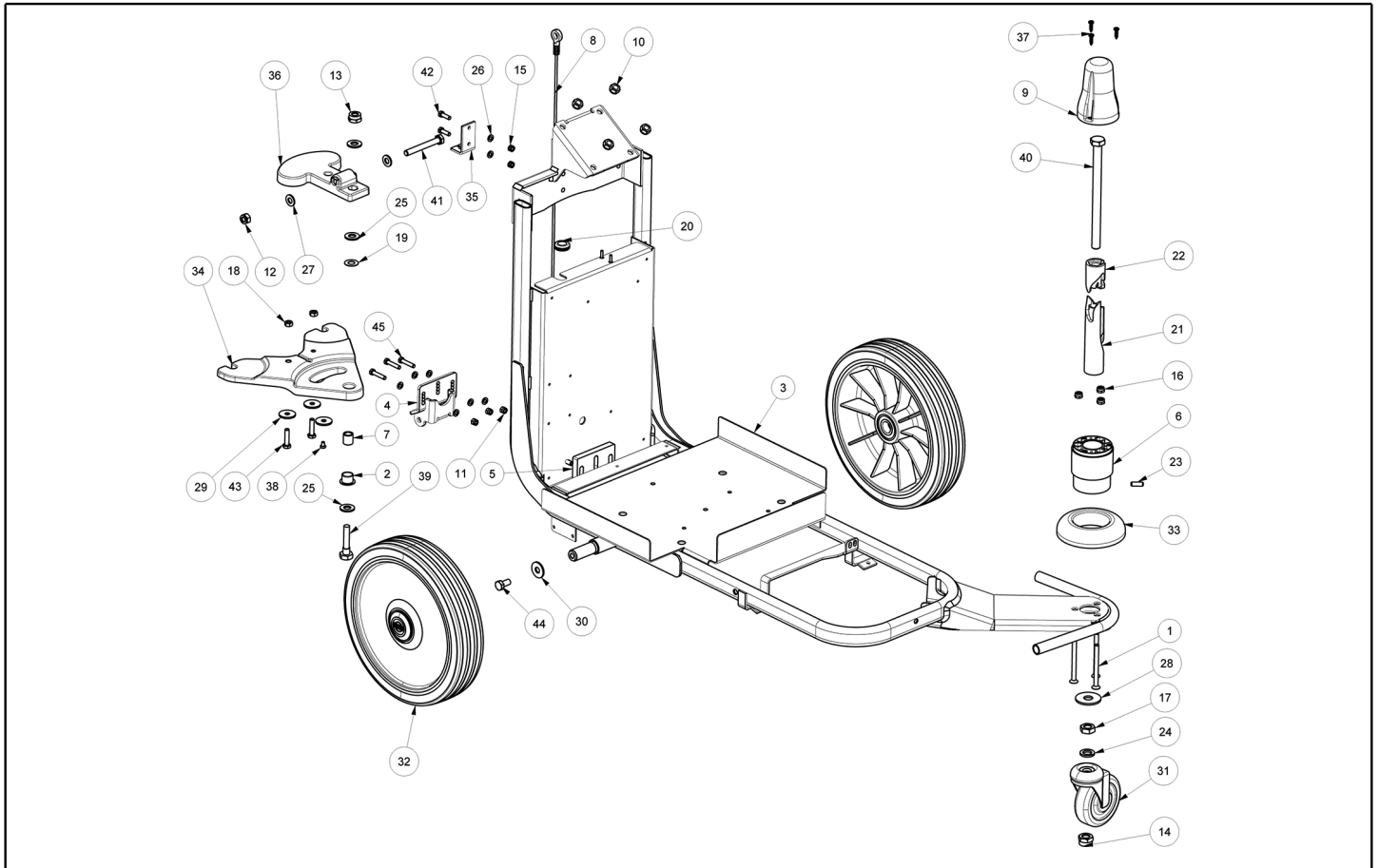
Ref. Part n.	Cust. part n.	Description	Reference	Price
KTRI04750		KIT NEW PCB CT30B AND CT45B	0003	--



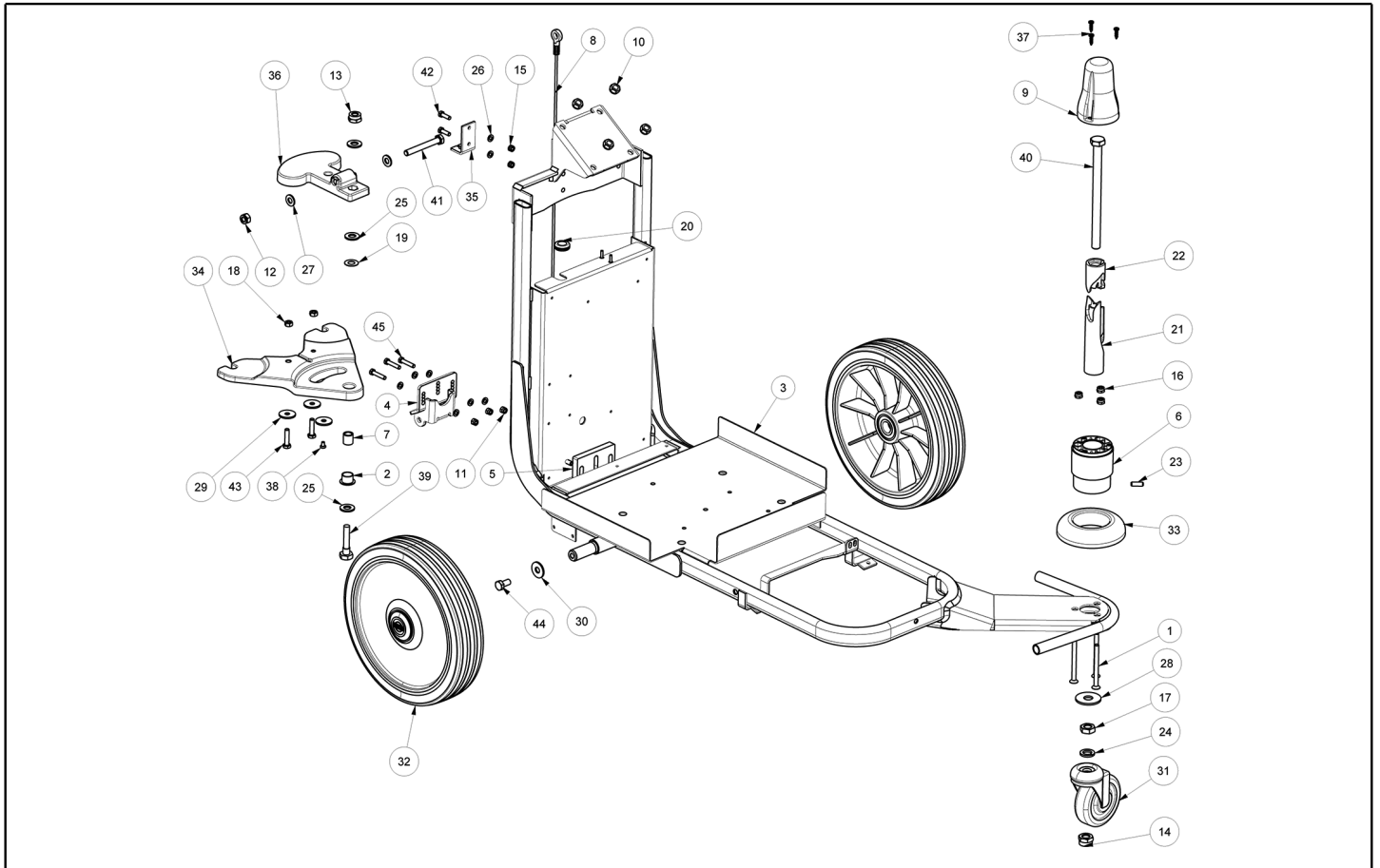
Ref. K	Part n.	Customer part n.	Description	Quantity	Validity		Price
					From	To	
0001	MPVR10598		TANK CT46	1,00			--
0002	MPVR10599		TANK CT46	1,00			--
0003	MPVR10715		COVER CT46	1,00			--
0004	GUVR01018		GASKET	1,00			--
0005	MPVR10716		BUSHING CT46	1,00			--
0006	GUVR01017		GASKET	1,00			--
0007	VTRS00573		WASHER 30x6x3	1,00			--
0008	VTVT48694	SL04371	SCREW TCB TC 5 X12 UNI 9707 TZ	1,00			--
0009	MPVR05836		FLOATER -	1,00			--
0010	VTVT01694		SCREW TCB TC 5 X10 UNI 9707 TZ	9,00			--
0011	MPVR10718		HINGE CT46	2,00			--
0012	VTRS13750	SL06038	WASHER D. 5X14 INX	3,00			--
0013	VTVT00805	SL04310	SCREW TBEI M. 5-10	2,00			--
0014	LAFN35588	SL17162-1	BATTERY SUPPORT LAV. BT	1,00			--
0015	MPVR10769		COVER CT46	1,00			--
0016	MPVR05188		CAP SOLUTION TANK	1,00			--
0017	MPVR08038		PLATE CT15-30	1,00			--
0018	LAFN08894		PLATE -	1,00			--
0019	MOCC00397		MOTOR VACUUM CT15-CT30	1,00			--
0020	VTRS13750	SL06038	WASHER D. 5X14 INX	8,00			--
0021	ABGO00052		VIBRATION DAMP. -	4,00			--
0022	VTRS15908	SL06094	WASHER D. 5 INX GRW UNI 1751	4,00			--
0023	VTDD07727	SL05016	NUT M 5 INOX	4,00			--
0024	VTVT48694	SL04371	SCREW TCB TC 5 X12 UNI 9707 TZ	8,00			--
0025	LAFN05830	SL39298	NET FERMA FILTRO INOX	1,00			--
0026	GUGO00444		GASKET -	1,00		19/09/2016	--
0026	GUGO00498		GASKET	1,00	20/09/2016		--
0027	MPVR08003		CAP	1,00		24/10/2016	--
0027	MPVR10774		CAP 1/2"	1,00	25/10/2016		--
0028	RCGR00082		VALVE -	1,00			--
0029	FSVR00095	SL14099	CLAMP 30-45	1,00			--
0030	MPVR46988	SL13118	CLIP LAV. SHK	1,00			--
0031	VTRS05904	1105807	WASHER UNI 6592 4X16 ZB	2,00			--
0032	VTVT29884	1105002	SCREW TE UNI 5739 4X16 ZB	2,00			--
0033	VTDD04368	05090	NUT M 4 ZIN UNI 5588	4,00			--
0034	VTRS16937	11051241	WASHER 6x24 INOX UNI 6593	1,00			--
0035	VTVT01376		SCREW TE M 5X 35 UNI 5739	1,00			--
0036	MEEV00052		SOLENOID VALVE	1,00			--
0037	FTAC00044		FILTER CT15-CT30	1,00			--
0038	VTVT15965	SL04346	SCREW TCB-TC 4X12 UNI7687 INX	1,00			--
0039	VTRS00515	SL06032	WASHER D. 4 INX	1,00			--
0040	VTDD00055	75289	NUT M 4 ATB A2	3,00			--
0041	VTDD04369	75259	NUT M 4 TEF UNI 7473	2,00			--
0042	LAFN07948		PROTECTION ELETTROVALVOLA	1,00			--



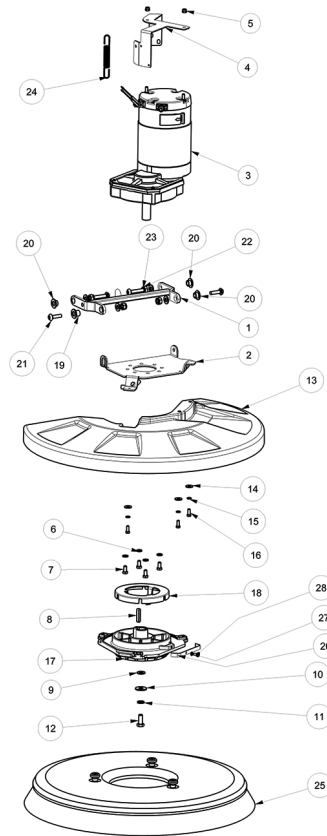
Ref. K	Part n.	Customer part n.	Description	Quantity	Validity		Price
					From	To	
0043	VTVT15924	1105494	SCREW TCTC 4X16 ACCIAIO INOX	2,00			--
0044	TBFX00357		TUBE CT45	1,00			--
0045	MPVR04659		FLANGE	1,00			--
0046	TBFX00350		TUBE HOSE DRAIN CT30	1,00			--
0047	RCVR00772		CONNECTOR 1/4	2,00			--
0048	RCVR00773		CONNECTOR 1/4	1,00			--
0051	RCVR00807		CONNECTOR 10 1/4	1,00			--
0053	RCVR00784		CONNECTOR -	1,00			--
0054	GUGO31088	SL03149	O-RING D. 12 X 2.50 NBR 70SH	1,00			--
0055	MECB01943		WIRING FUSE CT 46	1,00			--
0056	MECB01966		WIRING	1,00			--
0057	FTDP00683		FILTER -	1,00			--
0058	MPVR10815		RIVET	2,00			--
0059	MECE00742		BOARD POWER CT15-30-45B-BT	1,00			--
0060	VTRS00377		WASHER M4	4,00			--



Ref. K	Part n.	Customer part n.	Description	Quantity	Validity		Price
					From	To	
0001	VTVT01160		SCREW M6x65	3,00			--
0002	CUVR00193		BUSHING -	1,00			--
0003	LAFN11041		FRAME -	1,00			--
0004	LAFN08106		COUPLING SQUEEGEE	1,00			--
0005	LAFN11083		SPACER -	1,00			--
0006	MPVR07136		BUSHING -	1,00			--
0007	LAFN08067		BUSHING CT45	1,00			--
0008	CMCV00364		CABLE -	1,00			--
0009	MPVR07133		COVER -	1,00			--
0010	VTDD00124	SL05001	NUT M 8 BASSO	4,00			--
0011	VTDD15517	SL05043	NUT M 5 INX	3,00			--
0012	VTDD01695	SL05039	NUT M 8 INX	1,00			--
0013	VTDD10310		NUT AUTOBL.M10 INOX DIN 985	1,00			--
0014	VTDD00176	SL05092	NUT M.12 INOX A2 BASSO AUTOB.	1,00			--
0015	VTDD01693	SL05087	NUT M 5 INX	2,00			--
0016	VTDD01694	SL05074	NUT M6 INOX	3,00			--
0017	VTDD00502		NUT M12	1,00			--
0018	VTDD15520	SL05017	NUT M 6 A2 UNI 5588 INX	2,00			--
0019	MLML34767	SL13052	SPRING D.10.2 X20	1,00			--
0020	MEVR00686	71003	FAIR-LEAD DIAMETER 15.5	1,00			--
0021	MPVR06462		PIN -	1,00			--
0022	MPVR06461		PIN -	1,00			--
0023	VTVT01382		PIN -	1,00			--
0024	VTRS15919		WASHER D.12 GROVER UNI 1751 INX	1,00			--
0025	VTRS15523	11051234	WASHER D.10 X21 INOX UNI 6592	3,00			--
0026	VTRS00516	SL06034	WASHER D. 5 INX	8,00			--
0027	VTRS13947	75373	WASHER D. 8 INX UNI 6592	2,00			--
0028	VTRS09142	1105328	WASHER UNI 6593 12X36X2,5	1,00			--
0029	VTRS16937	11051241	WASHER 6x24 INOX UNI 6593	3,00			--
0030	VTRS00512	RS01113	WASHER D. 8 X24 ZC.	2,00			--
0031	RTRT00550		WHEEL -	1,00		23/02/2017	--
0031	RTRT00633		WHEEL -	1,00	24/02/2017		--
0032	RTRT00537		WHEEL GRAY d.250 CT15-30-45	2,00			--
0033	MPVR07134		WHEEL -	1,00			--
0034	MFVR00224		ARTICULATION SQUEEGEE SUPPORT CT45	1,00			--
0035	LAFN09365		BRACKET -	1,00			--
0036	MFVR00223		SUPPORT SQUEEGEE CT45	1,00			--
0037	VTVT00044	1105362	SCREW TC AF.X PLAS UNI9707 4X16	3,00			--
0038	VTVT00881	SL04403	SCREW TC+ M4x6 TRILOBATA INOX	1,00			--
0039	VTVT01169		SCREW TE M10X45	1,00			--
0040	VTVT01171		SCREW TE M12x170 UNI5737	1,00			--
0041	VTVT00757	SL04229	SCREW	1,00			--
0042	VTVT07725	SL04152	SCREW TE 5X16 UNI5739 INX	2,00			--
0043	VTVT15141	05245	SCREW TE M 6X 25 UNI 5739 INX	2,00			--

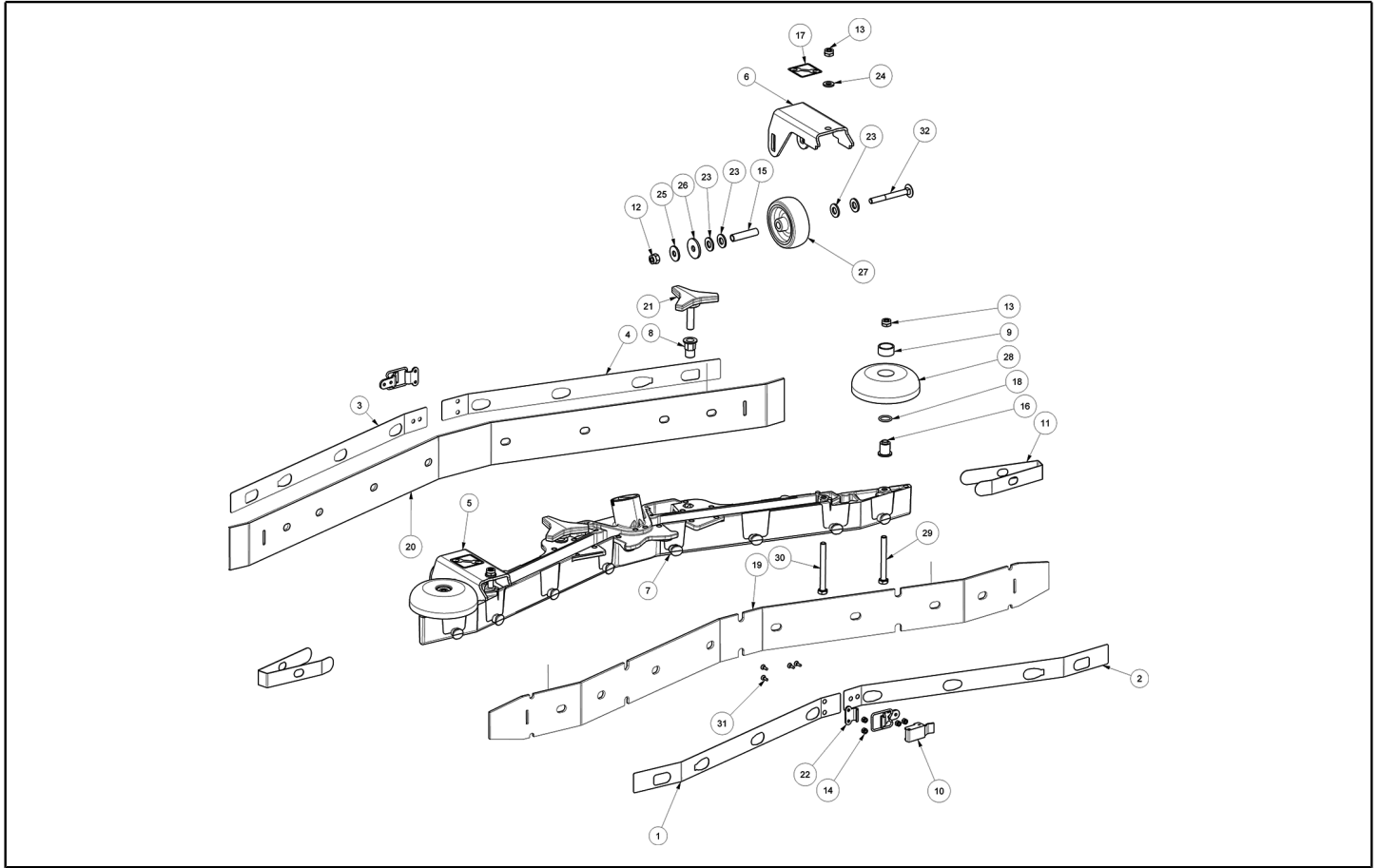


Ref. K	Part n.	Customer part n.	Description	Quantity	Validity		Price
					From	To	
0044	VTVT01110	05000	SCREW TE 8X16 UNI5739	2,00			--
0045	VTVT00766	SL04244	SCREW TE M. 5-25	3,00			--

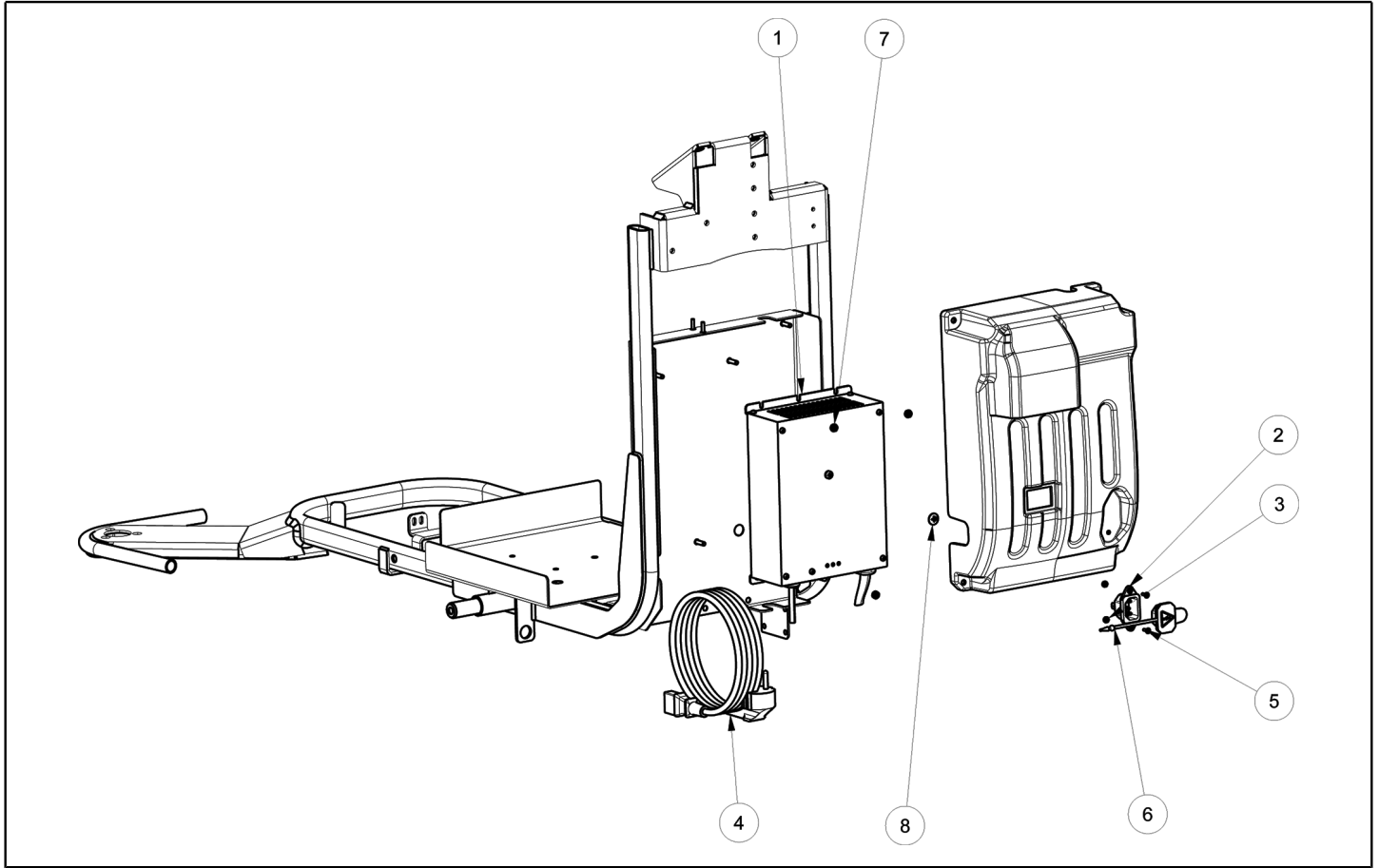


Ref. K	Part n.	Customer part n.	Description	Quantity	Validity		Price
					From	To	
0001	LAFN07910		BRACKET -	1,00			--
0002	LAFN07905		SUPPORT -	1,00			--
0003	MOCC00426		MOTOR 24V 20A 400W IP44	1,00			--
0004	LAFN08083		BRACKET -	1,00			--
0005	VTDD01693	SL05087	NUT M 5 INX	2,00			--
0006	VTRS15144	11051232	WASHER D. 6 INX GRW UNI 1751	4,00			--
0007	VTVT15906	SL04180	SCREW TE 6X 12 A2 UNI 5739	4,00			--
0008	VTVR16617		KEY 6X 6X30 UNI 6604	1,00			--
0009	VTRS13947	75373	WASHER D. 8 INX UNI 6592	5,00			--
0010	VTRS13946	SL06025	WASHER D. 8 X24 INX UNI 6593	1,00			--
0011	VTRS15146	05519	WASHER D. 8 INX GRW UNI 1751	1,00			--
0012	VTVT13938	75362	SCREW TE 8X20 UNI5739 INX	1,00			--
0013	MPVR06243		COVER CT45	1,00			--
0014	VTRS13750	SL06038	WASHER D. 5X14 INX	3,00			--
0015	VTRS15908	SL06094	WASHER D. 5 INX GRW UNI 1751	3,00			--
0016	VTVT01300		SCREW TE M5X12 INOX	3,00			--
0017	MFVR00212		DRIVE DISK	1,00			--
0018	MPVR06045		CONVEYOR -	1,00			--
0019	LAFN51068		Bushing	1,00			--
0020	LAFN06391		BUSHING PARALLELOGRAMMA	3,00			--
0021	VTVT01195		SCREW TBEI M 8X 25 ISO 7380 IX	2,00			--
0022	VTDD01695	SL05039	NUT M 8 INX	4,00			--
0023	VTVT01378		SCREW TBEI M8X35	2,00			--
0024	MLML00340		SPRING -	1,00			--
0025	SPPV01332		BRUSH D.500 NYLON	1,00			--
0026	MLML00477		SPRING -	1,00	03/03/2017		--
0027	VTVT21887	SL04079	SCREW TCB-TC 4X10 8112	1,00	03/03/2017		--
0028	VTRS15913	SL06107	WASHER D. 4 GROVER A2 UNI1751	1,00	03/03/2017		--





Ref. K	Part n.	Customer part n.	Description	Quantity	Validity		Price
					From	To	
0001	LAFN09275		SHEET METAL PA. -	1,00			--
0002	LAFN09276		SHEET METAL PA. -	1,00			--
0003	LAFN09277		SHEET METAL PA. -	1,00			--
0004	LAFN09278		SHEET METAL PA. -	1,00			--
0005	LAFN09216		SUPPORT DX	1,00			--
0006	LAFN09217		SUPPORT SX	1,00			--
0007	MFVR00143	SL01060XS	BODY SQUEEGEE PRESSOFUSO	1,00			--
0008	VTVR00567		INSERT -	2,00			--
0009	MPVR49229	SL17608	BUSHING SHK	2,00			--
0010	LAFN09302		CLOSURE -	2,00			--
0011	MPVR05897		CLOSURE S	2,00			--
0012	VTDD15518	75375	NUT M 6 INX	2,00			--
0013	VTDD01694	SL05074	NUT M6 INOX	4,00			--
0014	VTDD00210		NUT M 3 AUTOBL.DIN 985 IX.A2	8,00			--
0015	LAFN07589		SPACER -	2,00			--
0016	LAFN04100	SL07596	SPACER PER RUOTINO PARACOLPI	2,00			--
0017	ETET01817		LABEL -	2,00			--
0018	GUGO00164	SL03199	GASKET	2,00			--
0019	MPVR06287		BLADE XS 3MM LATEX	1,00			--
0020	MPVR06288		BLADE XS 3MM LATEX	1,00			--
0021	MPVR06004		KNOB AISI 304	2,00			--
0022	LAFN09301		SOCKET -	2,00			--
0023	VTRS00274	SL06064	WASHER NYLON 66 D.8,4-17-2 UNI	8,00			--
0024	VTRS00245	SL06022	WASHER D.6 UNI 6592 INOX	2,00			--
0025	VTRS13945	SL06039	WASHER D. 6X18 INX UNI 6593	2,00			--
0026	VTRS16937	11051241	WASHER 6x24 INOX UNI 6593	2,00			--
0027	RTRT00398		WHEEL -	2,00			--
0028	MPVR06105		SMALL WHEEL -	2,00			--
0029	VTVT00655	SL04061	SCREW TE M. 6-55	2,00			--
0030	VTVT17342	SL04058	SCREW TE M 6X 60 UNI 5739 INX	2,00			--
0031	VTVT01070		SCREW TSTC M3X8	8,00			--
0032	VTVT01206		SCREW M6X55	2,00			--



Ref. K	Part n.	Customer part n.	Description	Quantity	Validity		Price
					From	To	
0001	BACA00194		BATTERY-CHARGER	1,00			--
0002	MEVR02074		PLUG IEC	1,00			--
0003	VTDD00001	1105120	NUT UNI 5588 M3 ZB	2,00			--
0004	MECB00922		EXTENSION 3x0,75 SHUKO PLUG	1,00			--
0005	VTVT00035	1105300	SCREW M 3X 8 TS TC ZC	2,00			--
0006	MPVR10801		CAP IEC	1,00			--
0007	VTDD04368	05090	NUT M 4 ZIN UNI 5588	3,00			--
0008	ETET00762	SL25185	ADHESIVE SIMBOLO TERRA	1,00			--