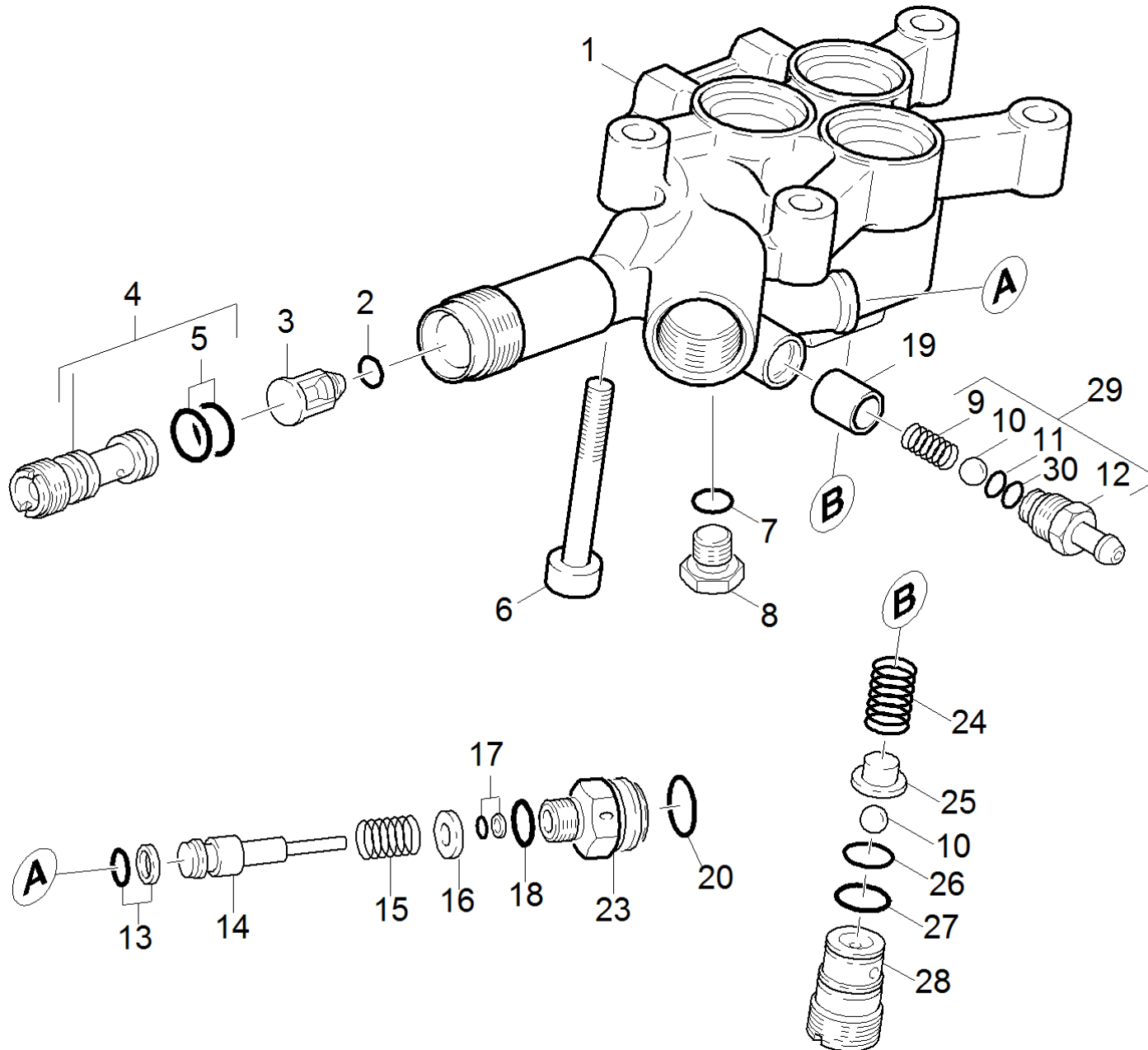


21 Cylinder head

Professional \ High pressure cleaner cold water \ Electric motor \ HD 690 *EU \ Spare parts list HD 690 400V 3 PH 50 H \ Pump set \ Cylinder head



21 Cylinder head

Professional \ High pressure cleaner cold water \ Electric motor \ HD 690 *EU \ Spare parts list HD 690 400V 3 PH 50 H \ Pump set \ Cylinder head

KÄRCHER

POS	Article no.	Description	Quantity	Unit
1	5.550-265.0	Cylinder head	1.000	ST
2	6.363-613.0	O-Ring seal 4 x 2 -NBR90	1.000	ST
3	4.584-022.0	Valve pin complete	1.000	ST
4	4.769-034.0	Nozzle insert only for replacement	1.000	ST
5	6.362-384.0	O-Ring seal 9x1,5 - NBR 70	2.000	ST
6	7.306-047.0	Cylinder head screw M8x60 -8.8-A2E ISO4	4.000	ST
7	6.362-101.0	O-Ring seal 8 X 2	1.000	ST
8	5.411-070.0	Screw plug	1.000	ST
9	5.332-258.0	Helical spring	1.000	ST
10	7.401-908.0	Sphere 7 G300 -1.4301 DIN 5401	1.000	ST
11	6.363-597.0	O-Ring seal 5,28 x 1,78	1.000	ST
12	5.443-448.0	Nipple chemistry	1.000	ST
13	6.362-467.0	O-Ring seal complete 1ST.-R.	1.000	ST
14	4.553-183.0	Piston complete	1.000	ST
15	5.332-157.0	Helical spring	1.000	ST
16	5.115-616.0	Washer	1.000	ST
17	6.362-587.0	O-Ring seal complete 2,9 -NBR 70	1.000	ST
18	6.362-528.0	O-Ring seal 9,5 X 2,0	1.000	ST
19	5.110-714.0	Sleeve	1.000	ST
20	6.362-634.0	O-Ring seal 15,6 x 1,78-NBR 70	1.000	ST
23	4.411-008.0	Screw plug	1.000	ST
24	5.332-203.0	Helical spring	1.000	ST
25	5.582-119.0	Valve disc	1.000	ST
26	6.363-273.0	O-Ring seal 11,0 x 2,0	1.000	ST
27	6.362-169.0	O-Ring seal 12,0 X 2,0	1.000	ST
28	5.583-187.0	Valve screw	1.000	ST
29	2.883-862.0	Spare part set chemistry	1.000	ST
30	6.362-451.0	O-Ring seal 8,0 x 1,0	1.000	ST
100	2.883-869.0	PUMP SET	1.000	ST