

## **Spare parts list** (1.601-812.0) K 3 \*EU

## Table of contents

---

K 3 *EU (1.601-812.0)	4
201 Spare parts list K3 *EU (5.972-129.0)	5
10 Housing	6
11 Bumper with wheels K3.190M (9.755-326.0)	8
20 Pump set	10
21 Housing	11
7 Pressostat piston and detergent fitting (9.755-285.0)	13
22 Thrust guidance	15
20 Pump set	17
21 Housing	19
7 Pressostat piston and detergent fitting (9.755-285.0)	21
22 Thrust guidance	23
23 Pump set	25
4 Spare parts set control piston with nipp (2.885-397.0)	27
5 Cylinder head for replacement (981) RV (4.551-144.0)	29
1 Cylinder head complete RV K2.0X	30
Cylinder head only for replacement (4.551-159.3)	32
40 Cylinder head RV K2.0X	34
45 Spare parts set control piston with nipp (2.885-397.0)	36
43 Thrust guidance complete quadruple	38
7 Suction cover straight for replacement + (4.063-915.0)	40
12 High-pressure outlet short for replaceme (4.063-916.0)	42
30 Motor	44
30 Motor	45
31 Motor	47
32 Motor	48
11 Spare parts set strain relief with cable (2.885-475.0)	50
40 Accessories	52
41 Hand trigger gun	53
G 180 Q Trigger gun Quick Connect (2.642-889.0)	55
42 High pressure hose	57
1 H 9 Q high pressure hose Quick Connect (2.641-721.0)	59
43 Vario-Power Jet pipe K2	61
2 VPS K2 025 (4.760-535.0)	63
44 Dirt blaster	65
2 Dirt blaster K2 027 St (4.764-243.0)	67
45 Washing brush	69
46 Surface cleaner	71

## Table of contents

---

1 Single-step jet pipe extension (2.643-240.0)	73
7 Spare parts nozzles T-Racer (2.643-338.0)	75
47 PS 20 power swab	78
3 Spare parts set power swab PS 20 018 (2.885-356.0)	80
2 Nozzle complete black (4.762-566.0)	82
6 Single-step jet pipe extension (2.643-240.0)	84
48 Surface cleaner	86
1 Single-step jet pipe extension (2.643-240.0)	88
3 Bearing support kpl.	90
1 Adapter complete	92
4 replacement nozzles T-Racer (2.644-081.0)	94
202 Spare parts list K3 *EU (QC)	96
10 Pistol entry (4.775-236.3)	98
11 High pressure hose 13,5MPa/6 40°C QCS B (6.396-715.0)	100
12 VPS entry 026 K (4.760-313.3)	101
14 Dirt blaster entry 026 ST (4.764-342.3)	103
109 Pump set complete K3 FC/MR *EU (0,8kW)	105
1 Pump set RVu K3*EU (0,8kW-QC)INA	107
103 Gear complete 6°12'/4,02 RV upr. (INA)	109
901 Spare part set planet wheel (4.100-662.0)	111
901 Suction cover for replacement with SV5 ( 4.063-913.0)	113
902 High-pressure outlet with clamp for repl (4.064-047.0)	115
903 Cylinder head for replacement (981) RV (4.551-144.0)	117
1 Cylinder head complete RV K2.0X	118
Cylinder head only for replacement (4.551-159.3)	120
40 Cylinder head RV K2.0X	122
45 Spare parts set control piston with nipp (2.885-397.0)	124
43 Thrust guidance complete quadruple	126
3 Switch with axle RV	128
6 Spare parts set strain relief with cable (2.885-475.0)	130
119 Hose cleaning agents complete K2 FAMILY	132
901 Bumper with wheel replacement MR (QC) (9.755-601.0)	134

K 3 \*EU (1.601-812.0)

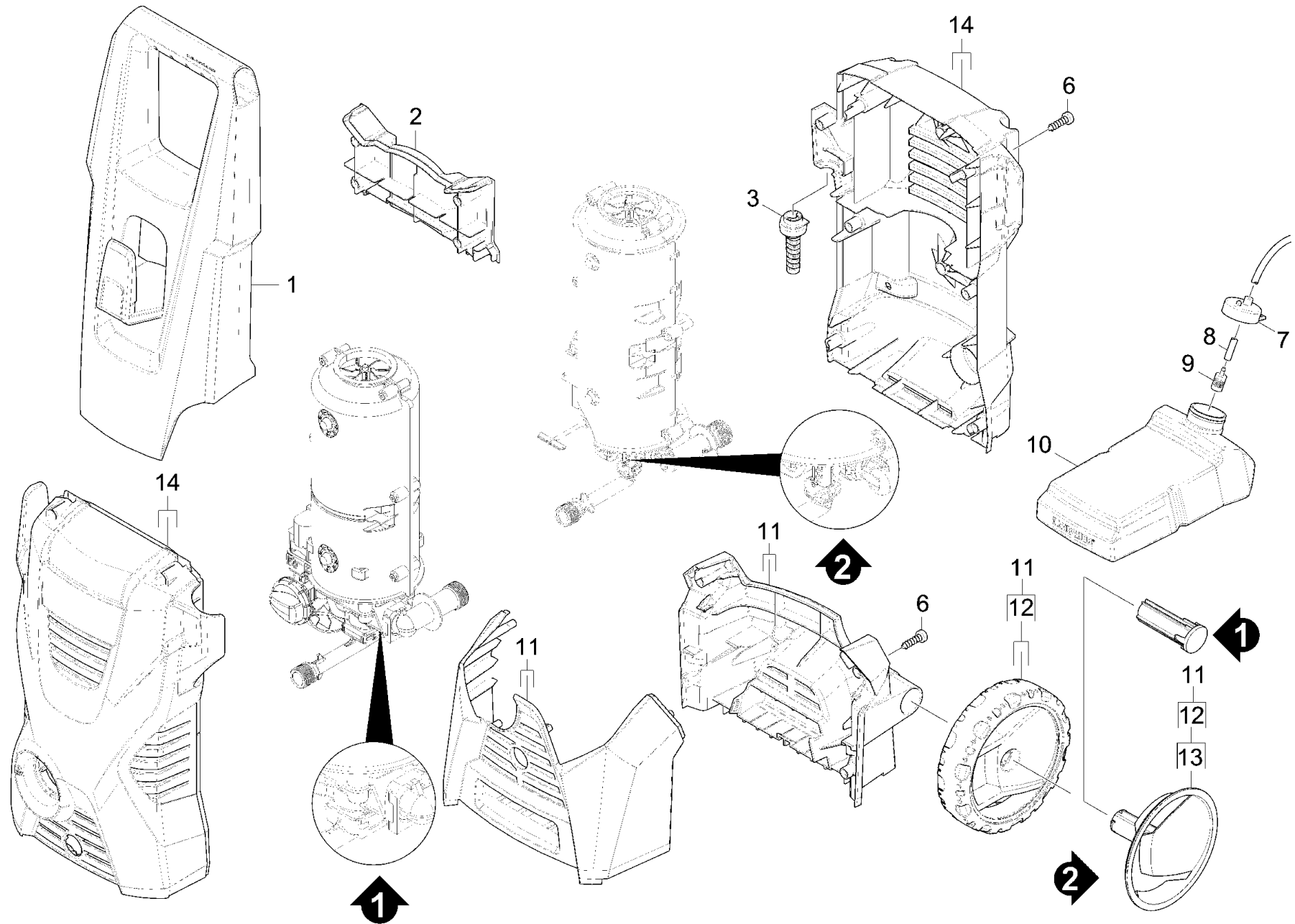
---

<b>POS</b>	<b>Article no.</b>	<b>Description</b>	<b>Quantity</b>	<b>Unit</b>	<b>Foot note text</b>
201	5.972-129.0	Spare parts list K3 *EU	1	PC	
202		Spare parts list K3 *EU (QC)	1	PC	NEW VERSION



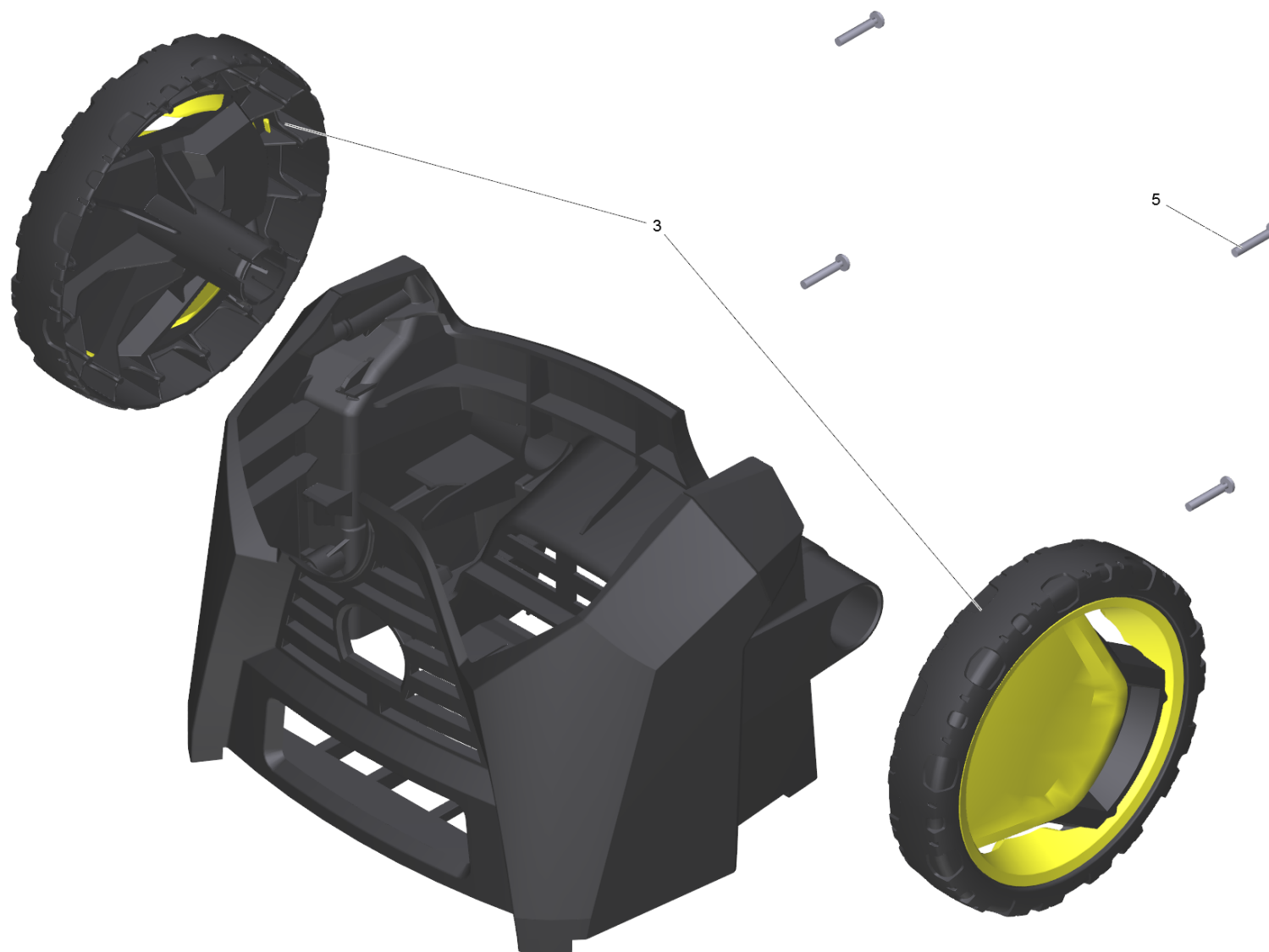
201 Spare parts list K3 \*EU (5.972-129.0)

POS	Description	Quantity	Unit
10	Housing	1	PC
20	Pump set <b>Item text1:</b> 1.601-823.0	1	PC
20	Pump set <b>Item text1:</b> 1.601-812.0/-813.0	1	PC
30	Motor <b>Item text1:</b> 1.601-823.0	1	PC
30	Motor <b>Item text1:</b> 1.601-812.0/-813.0	1	PC
40	Accessories	1	PC



## 10 Housing

POS	Article no.	Description	Quantity	Unit	Foot note text
1	9.762-034.0	Hand grip K3.190*EU	1	PC	
2	9.762-080.0	Hand grip covering cap	1	PC	
3	9.760-372.0	strain relief	1	PC	
6	9.086-221.0	Screw ATF 4.1x22	11	PC	
7	9.760-653.0	Cover tank cleaning agents	1	PC	
8	6.388-216.0	Hose DN 5	1	m	TO ORDER AS CUT GOODS
9	5.731-652.0	Filter with weight	1	PC	
10	9.755-247.0	Tank cleaning agents spare part K2 famil	1	PC	
11	9.755-326.0	Bumper with wheels K3.190M	1	PC	
12	5.515-397.3	Wheel only for replacement	2	PC	
13	7.777-999.0	Stockpiling discontinued	1	PC	SET OF 2 PIECES
14	9.755-437.0	Housing pair K2 MR spare part	1	PC	VERSION 1
14	9.755-535.0	Housing pair replacement K2	1	PC	VERSION 2



## 11 Bumper with wheels K3.190M (9.755-326.0)

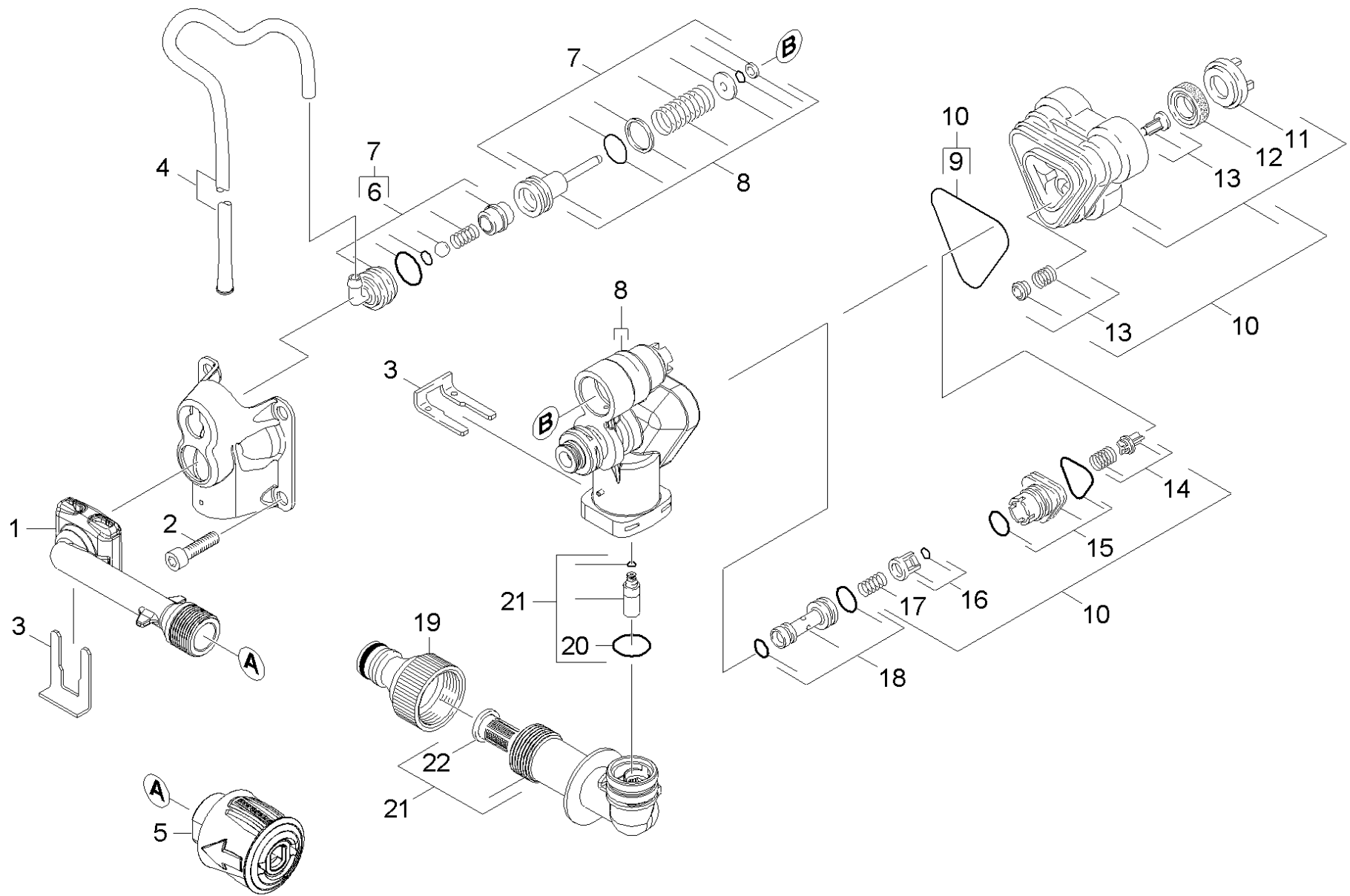
---

<b>POS</b>	<b>Article no.</b>	<b>Description</b>	<b>Quantity</b>	<b>Unit</b>
3	5.515-397.3	Wheel only for replacement	2	PC
5	9.086-221.0	Screw ATF 4.1x22	4	PC

## 20 Pump set

---

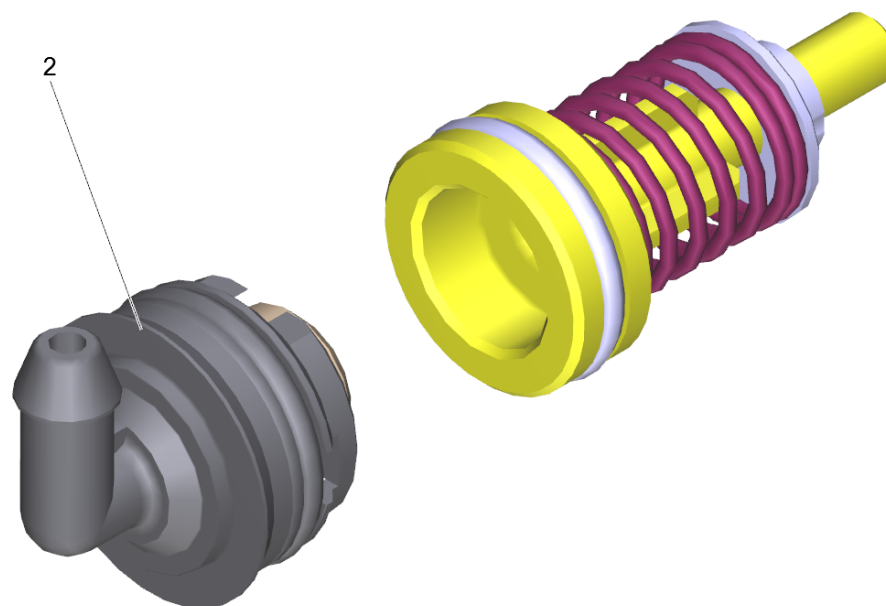
<b>POS</b>	<b>Description</b>	<b>Quantity</b>	<b>Unit</b>
21	Housing	1	PC
22	Thrust guidance	1	PC



## 21 Housing

POS	Article no.	Description	Quantity	Unit	Foot note text
1	9.755-236.0	Connection delivery side spare part K2 M	1	PC	
2	7.306-151.0	Cylinder head screw M8x65 -8.8-A2E ISO4	4	PC	
3	9.039-148.0	Metal fork	2	PC	
4	9.011-911.0	Filter cleaning agents W107/207	1	PC	
5	4.470-041.0	High pressure quick-fitting pipe union A	1	PC	
6	9.001-741.0	Aspiration cleaning agents for replaceme	1	PC	
7	9.755-285.0	Pressostat piston and detergent fitting	1	PC	
8	9.755-286.0	Manifold with pressostat spring assem.	1	PC	
9	9.081-422.0	Form seal	1	PC	
10	9.755-339.0	H.P. head complete Spare Part	1	PC	
11	9.755-271.0	Water sealing spacer spare part	3	PC	
12	6.362-875.0	Grooved ring	3	PC	
13	9.755-273.0	Inlet valve spring with washer spare p	1	PC	SET CONSITSTS OF 3X VALVE
14	9.755-274.0	Outlet valve with spring spare part	1	PC	SET CONSITSTS OF 3X VALVE
15	9.755-275.0	Connecting bushing assembly spare part	1	PC	
16	9.755-276.0	Back flow valve assembly spare part	1	PC	
17	9.755-277.0	Back flow valve spring spare part	1	PC	
18	9.755-278.0	Venturi nozzle d1,6 assem.	1	PC	
19	6.465-031.0	Connection 3/4	1	PC	
20	9.755-279.0	O-Ring seal d.20,5x2,2 NBR 7 spare part	1	PC	
21	9.755-386.0	Suction connection complete replacement	1	PC	
22	9.755-280.0	Fine filter spare part	1	PC	



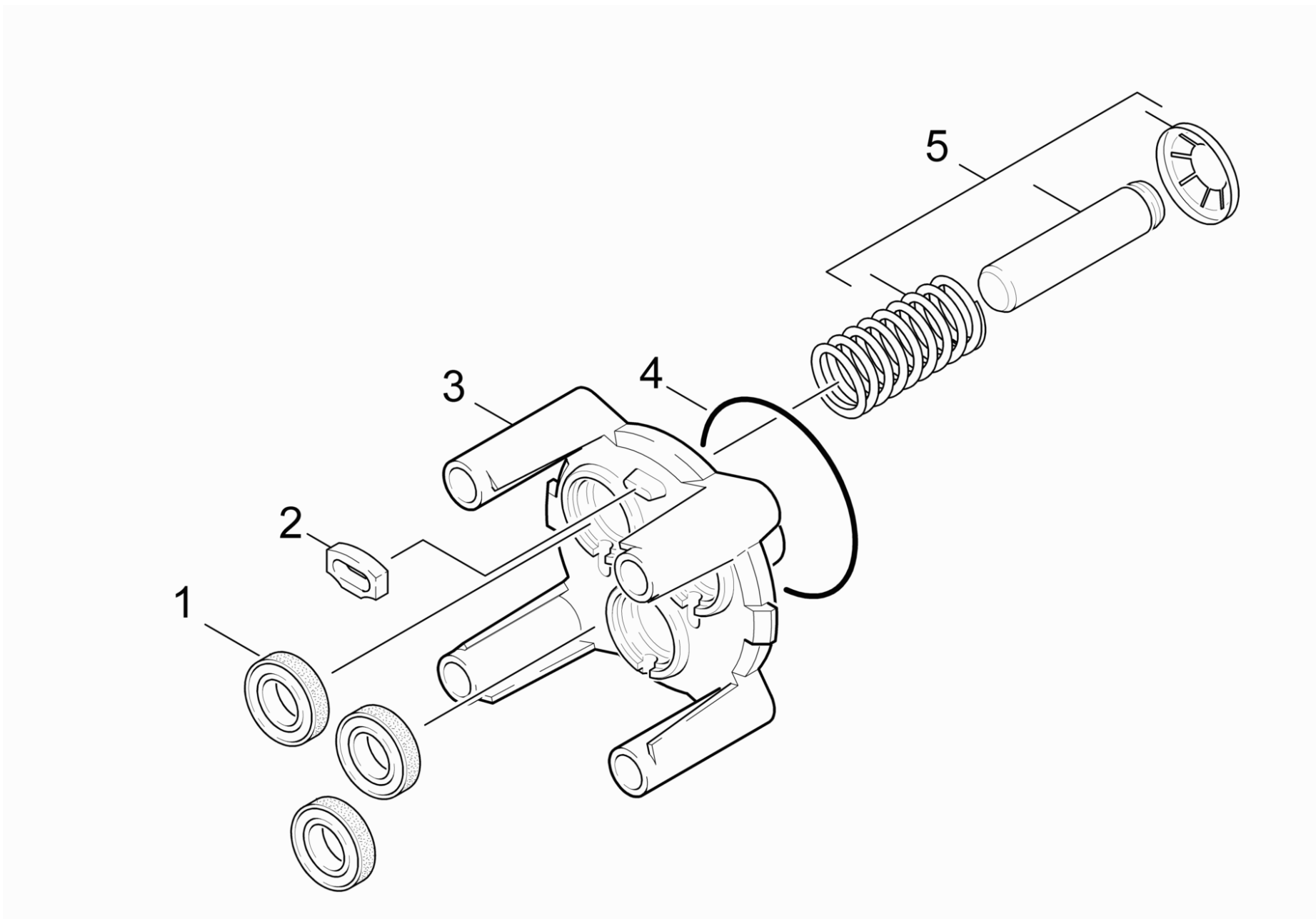


7 Pressostat piston and detergent fitting (9.755-285.0)

---

<b>POS</b>	<b>Article no.</b>	<b>Description</b>	<b>Quantity</b>	<b>Unit</b>
2	9.011-285.0	Aspiration cleaning agents	1	PC

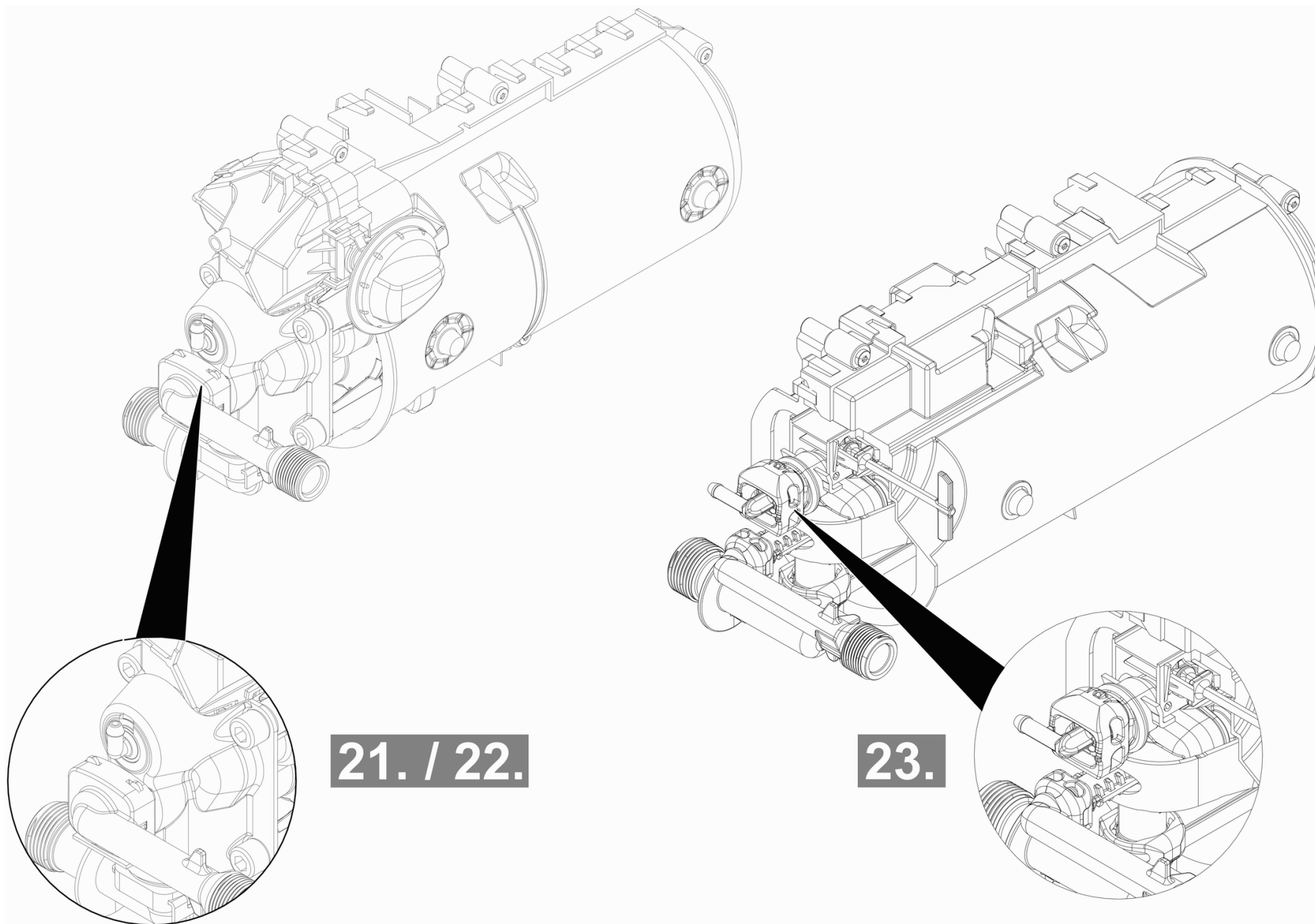
---



## 22 Thrust guidance

---

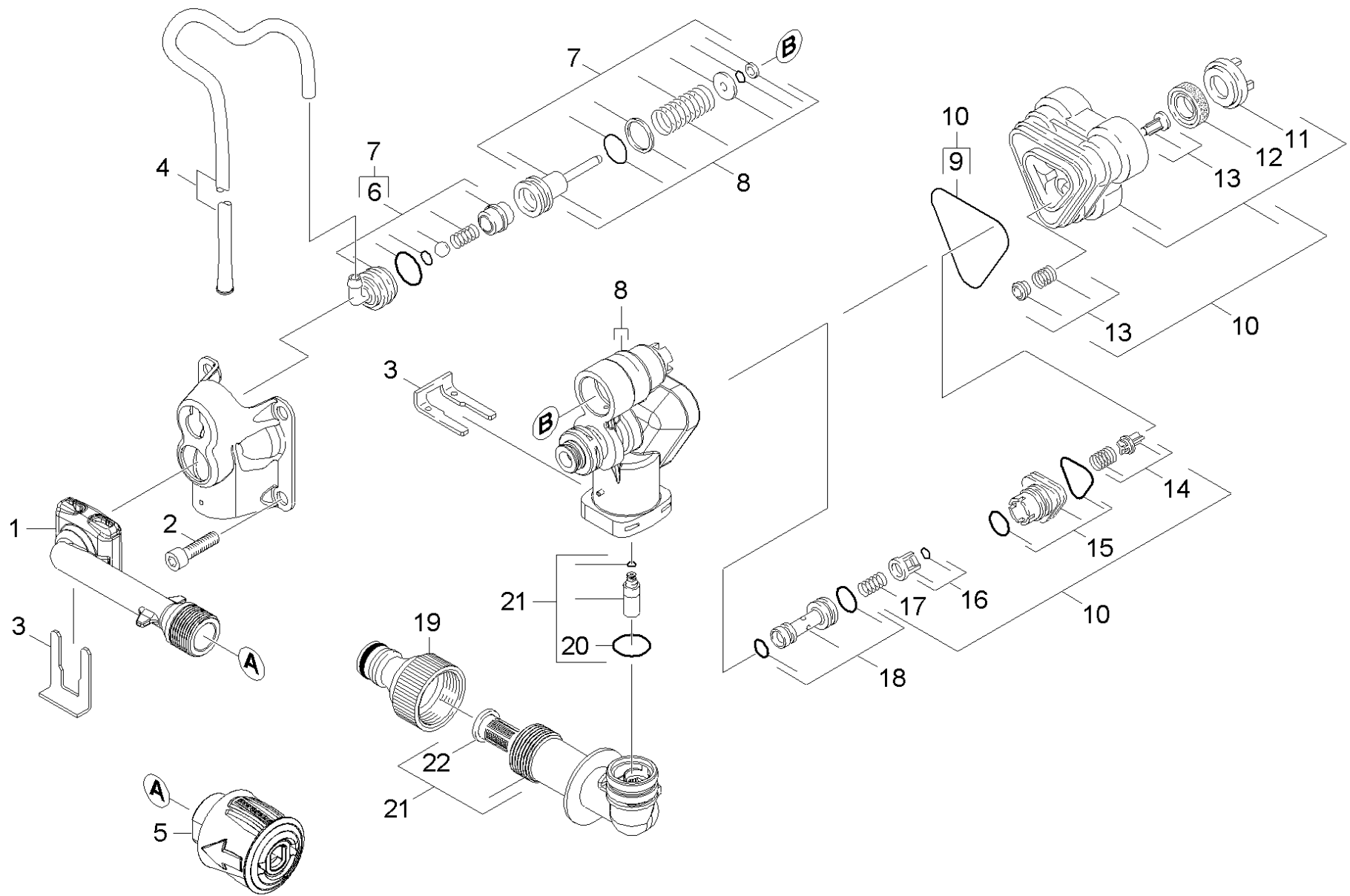
POS	Article no.	Description	Quantity	Unit	Remark
1	6.365-393.0	Oil sealing 12x20x4/6	3	PC	
2	9.048-071.0	Spacer - Seal	1	PC	
3	9.755-287.0	piston guide replacement	1	PC	
4	6.363-339.0	O-Ring seal 60x2,5 -NBR 80	1	PC	60 X 2,5
4	9.755-409.0	O-Ring seal	1	PC	64 X 2
5	9.755-338.0	Piston complete replacement	3	PC	



## 20 Pump set

---

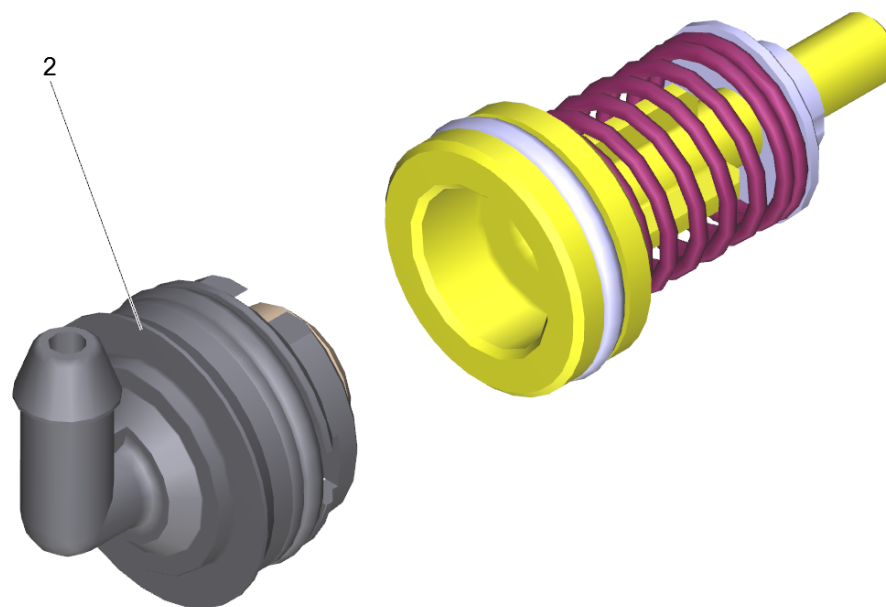
<b>POS</b>	<b>Description</b>	<b>Quantity</b>	<b>Unit</b>
21	Housing	1	PC
22	Thrust guidance	1	PC
23	Pump set	1	PC



## 21 Housing

POS	Article no.	Description	Quantity	Unit	Foot note text
1	9.755-236.0	Connection delivery side spare part K2 M	1	PC	
2	7.306-151.0	Cylinder head screw M8x65 -8.8-A2E ISO4	4	PC	
3	9.039-148.0	Metal fork	2	PC	
4	9.011-911.0	Filter cleaning agents W107/207	1	PC	
5	4.470-041.0	High pressure quick-fitting pipe union A	1	PC	
6	9.001-741.0	Aspiration cleaning agents for replaceme	1	PC	
7	9.755-285.0	Pressostat piston and detergent fitting	1	PC	
8	9.755-286.0	Manifold with pressostat spring assem.	1	PC	
9	9.081-422.0	Form seal	1	PC	
10	9.755-339.0	H.P. head complete Spare Part	1	PC	
11	9.755-271.0	Water sealing spacer spare part	3	PC	
12	6.362-875.0	Grooved ring	3	PC	
13	9.755-273.0	Inlet valve spring with washer spare p	1	PC	SET CONSITSTS OF 3X VALVE
14	9.755-274.0	Outlet valve with spring spare part	1	PC	SET CONSITSTS OF 3X VALVE
15	9.755-275.0	Connecting bushing assembly spare part	1	PC	
16	9.755-276.0	Back flow valve assembly spare part	1	PC	
17	9.755-277.0	Back flow valve spring spare part	1	PC	
18	9.755-278.0	Venturi nozzle d1,6 assem.	1	PC	
19	6.465-031.0	Connection 3/4	1	PC	
20	9.755-279.0	O-Ring seal d.20,5x2,2 NBR 7 spare part	1	PC	
21	9.755-386.0	Suction connection complete replacement	1	PC	
22	9.755-280.0	Fine filter spare part	1	PC	



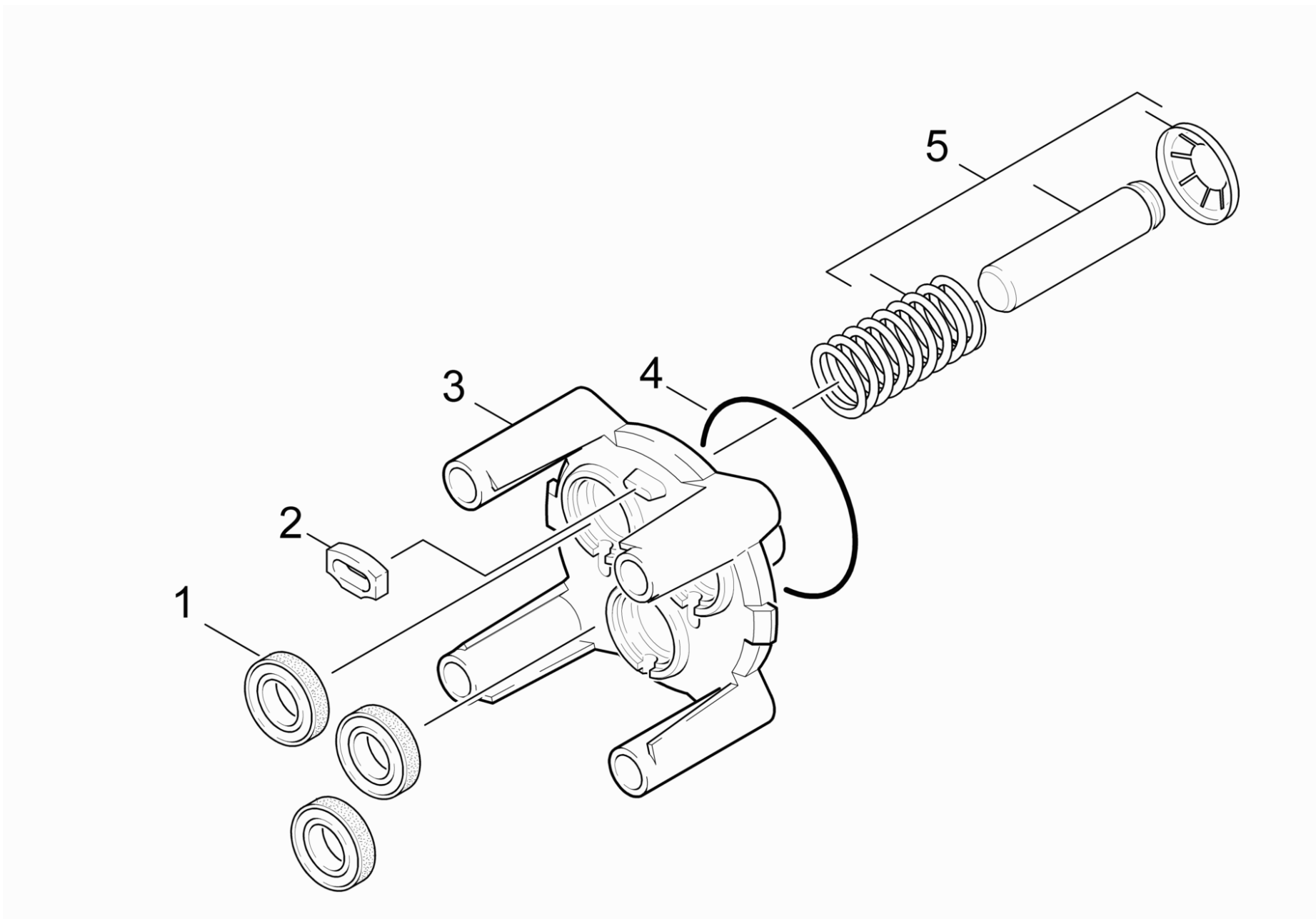


7 Pressostat piston and detergent fitting (9.755-285.0)

---

<b>POS</b>	<b>Article no.</b>	<b>Description</b>	<b>Quantity</b>	<b>Unit</b>
2	9.011-285.0	Aspiration cleaning agents	1	PC

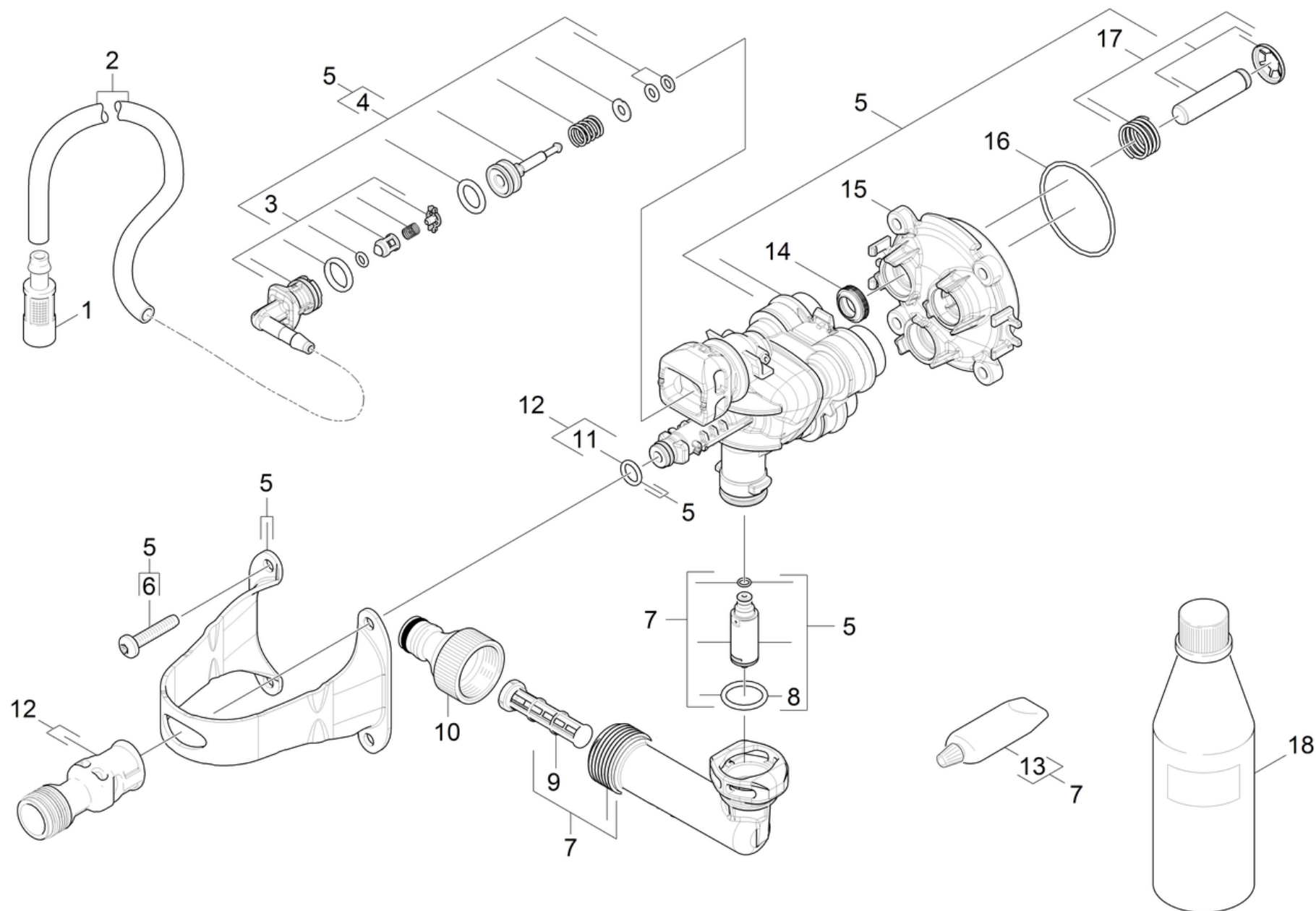
---



## 22 Thrust guidance

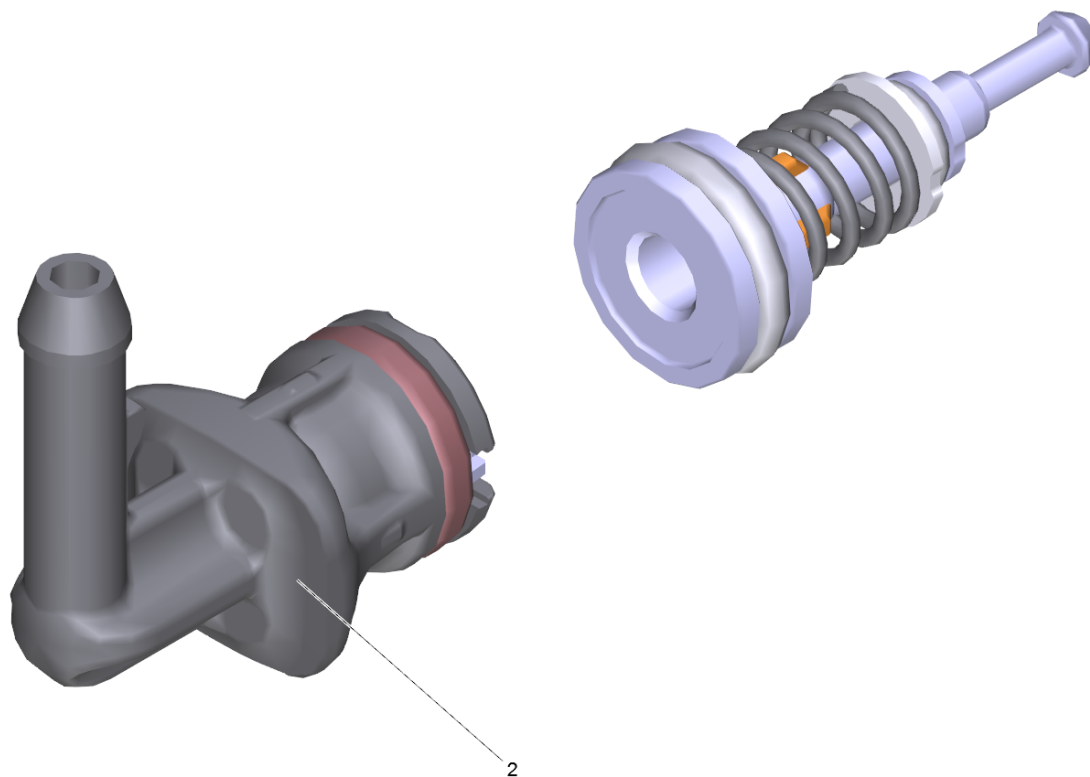
---

POS	Article no.	Description	Quantity	Unit	Remark
1	6.365-393.0	Oil sealing 12x20x4/6	3	PC	
2	9.048-071.0	Spacer - Seal	1	PC	
3	9.755-287.0	piston guide replacement	1	PC	
4	6.363-339.0	O-Ring seal 60x2,5 -NBR 80	1	PC	60 X 2,5
4	9.755-409.0	O-Ring seal	1	PC	64 X 2
5	9.755-338.0	Piston complete replacement	3	PC	



## 23 Pump set

POS	Article no.	Description	Quantity	Unit	Remark	Foot note text
1	5.731-652.0	Filter with weight	1	PC		
2	6.388-216.0	Hose DN 5	1	m		TO ORDER AS CUT GOODS
3	2.885-396.0	Spare parts set nipple chemistry RV	1	PC		
4	2.885-397.0	Spare parts set control piston with nipp	1	PC		
5	4.551-144.0	Cylinder head for replacement (981) RV	1	PC		
6	6.303-260.0	Screw 5x26,4	4	PC	7 +/-1 Nm	
7	4.063-915.0	Suction cover straight for replacement +	1	PC		
8	6.362-427.0	O-Ring seal 15,0x2,0	1	PC		
9	5.731-598.0	Fine filter long	1	PC		
10	6.465-031.0	Connection 3/4	1	PC		
11	6.362-113.0	O-Ring seal 6,0 x 2,0 NBR 70	1	PC		
12	4.063-916.0	High-pressure outlet short for replaceme	1	PC		
13	6.288-072.0	Silicon grease	1	PC		
14	6.365-581.0	Grooved ring 12x18x4/6 NBR 75 Shore A	3	PC		
15	5.062-412.0	Thrust guidance V2 R V	1	PC		
16	6.362-826.0	O-Ring seal 61,6x2,62	1	PC		
17	2.885-398.0	Spare parts set piston with spring RV	3	PC		
18	6.288-112.0	Engine oil 10W-60, 1L	1	PC		



4 Spare parts set control piston with nipp (2.885-397.0)

---

<b>POS</b>	<b>Article no.</b>	<b>Description</b>	<b>Quantity</b>	<b>Unit</b>
2	2.885-396.0	Spare parts set nipple chemistry RV	1	PC
900	6.288-088.0	Grease Molikote 55 M	1	PC

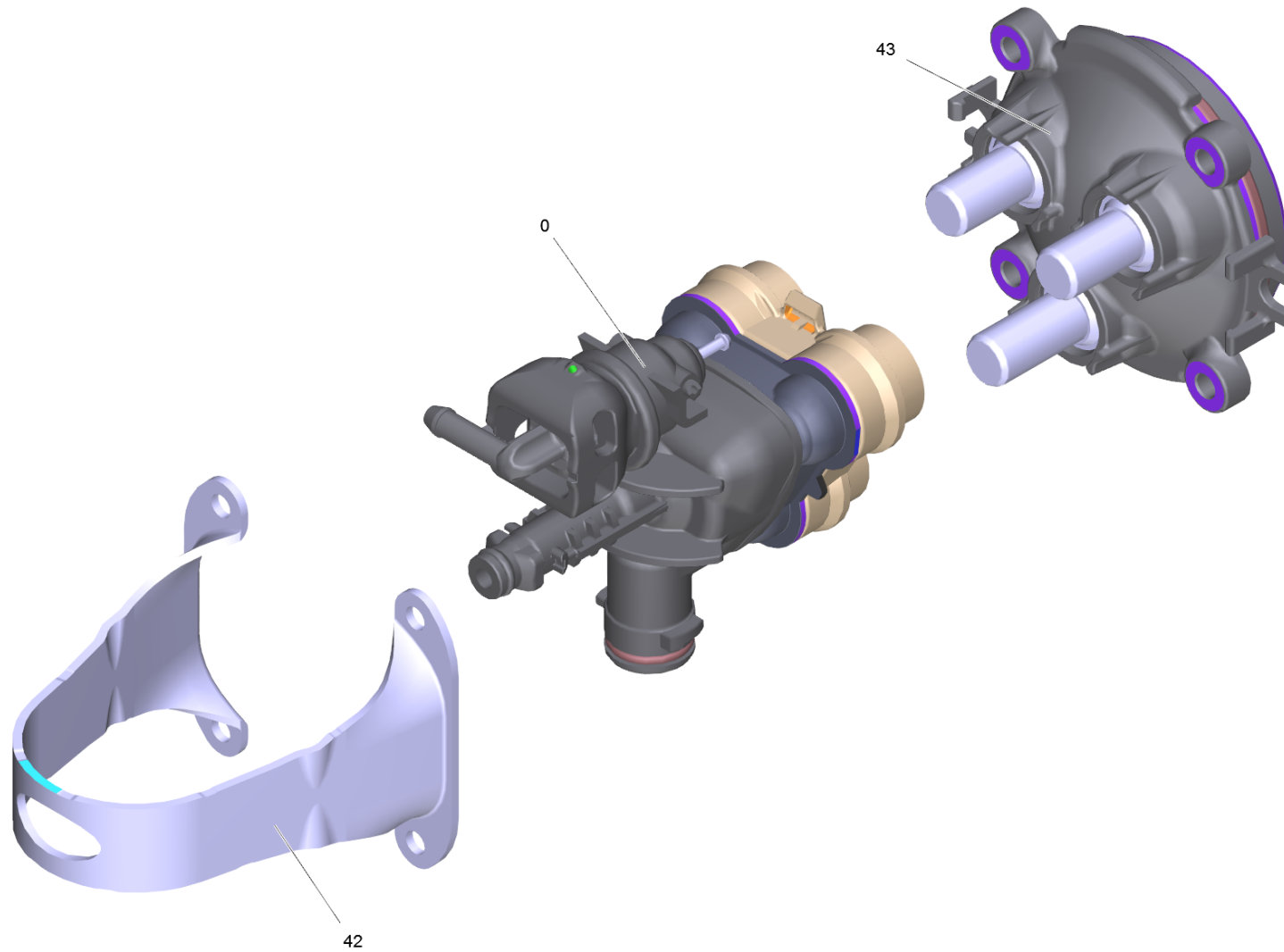


5 Cylinder head for replacement (981) RV (4.551-144.0)

---

POS	Description	Quantity	Unit
1	Cylinder head complete RV K2.0X	1	PC

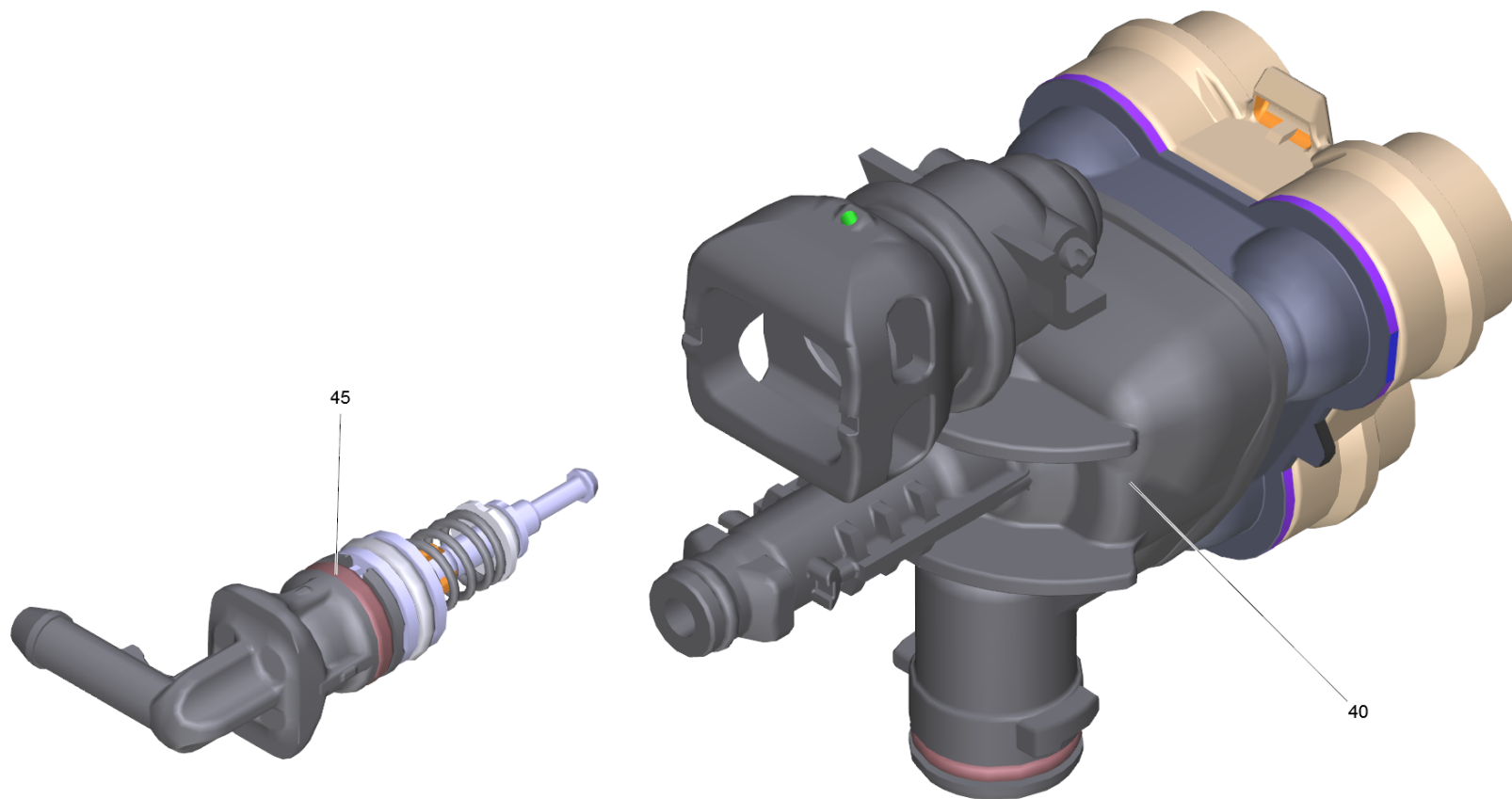
---



## 1 Cylinder head complete RV K2.0X

---

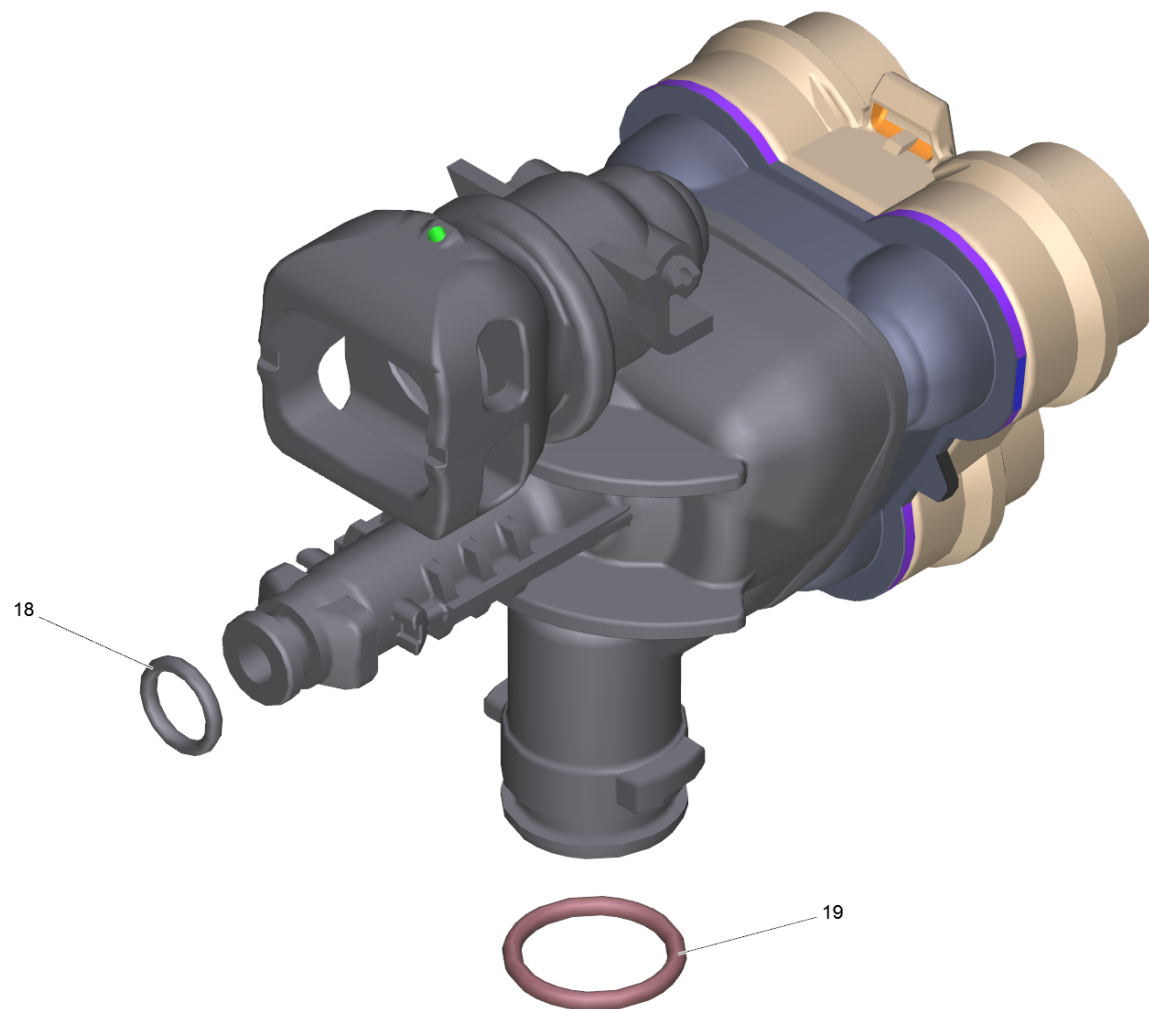
<b>POS</b>	<b>Article no.</b>	<b>Description</b>	<b>Quantity</b>	<b>Unit</b>
0	4.551-159.3	Cylinder head only for replacement	1	PC
42	5.051-384.0	Sheet metal component 4-fach	1	PC
43		Thrust guidance complete quadruple	1	PC



Cylinder head only for replacement (4.551-159.3)

---

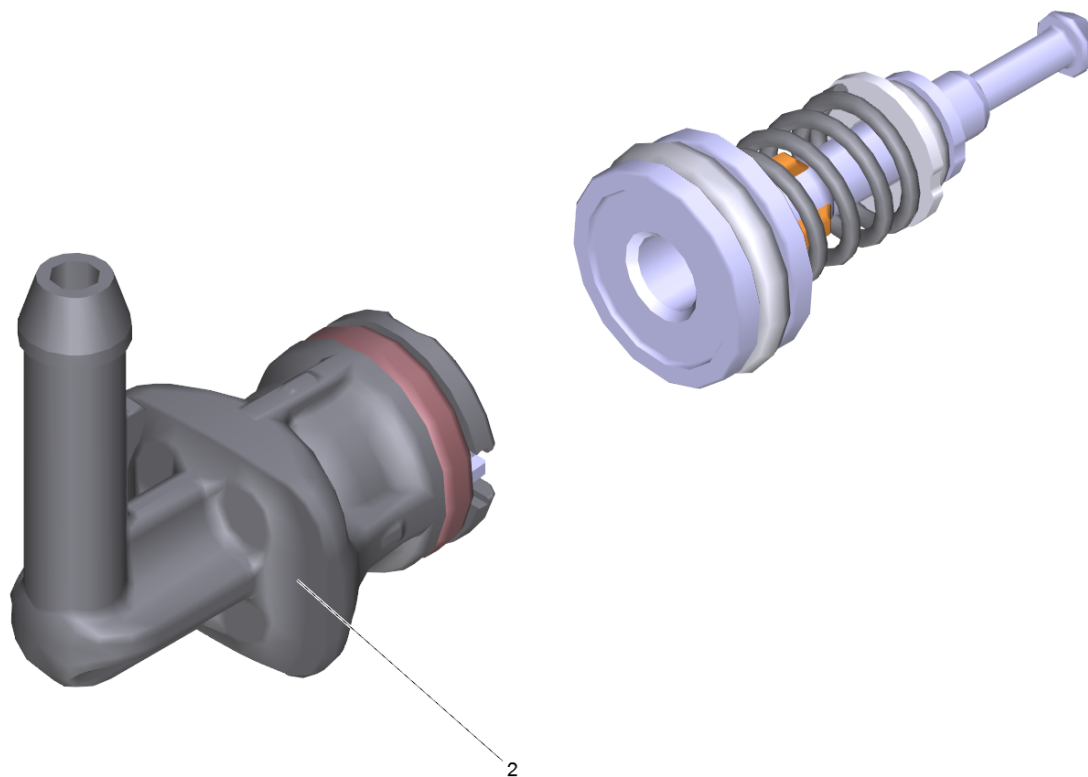
<b>POS</b>	<b>Article no.</b>	<b>Description</b>	<b>Quantity</b>	<b>Unit</b>
40		Cylinder head RV K2.0X	1	PC
45	2.885-397.0	Spare parts set control piston with nipp	1	PC



40 Cylinder head RV K2.0X

---

<b>POS</b>	<b>Article no.</b>	<b>Description</b>	<b>Quantity</b>	<b>Unit</b>
18	6.362-113.0	O-Ring seal 6,0 x 2,0 NBR 70	1	PC
19	6.362-427.0	O-Ring seal 15,0x2,0	1	PC

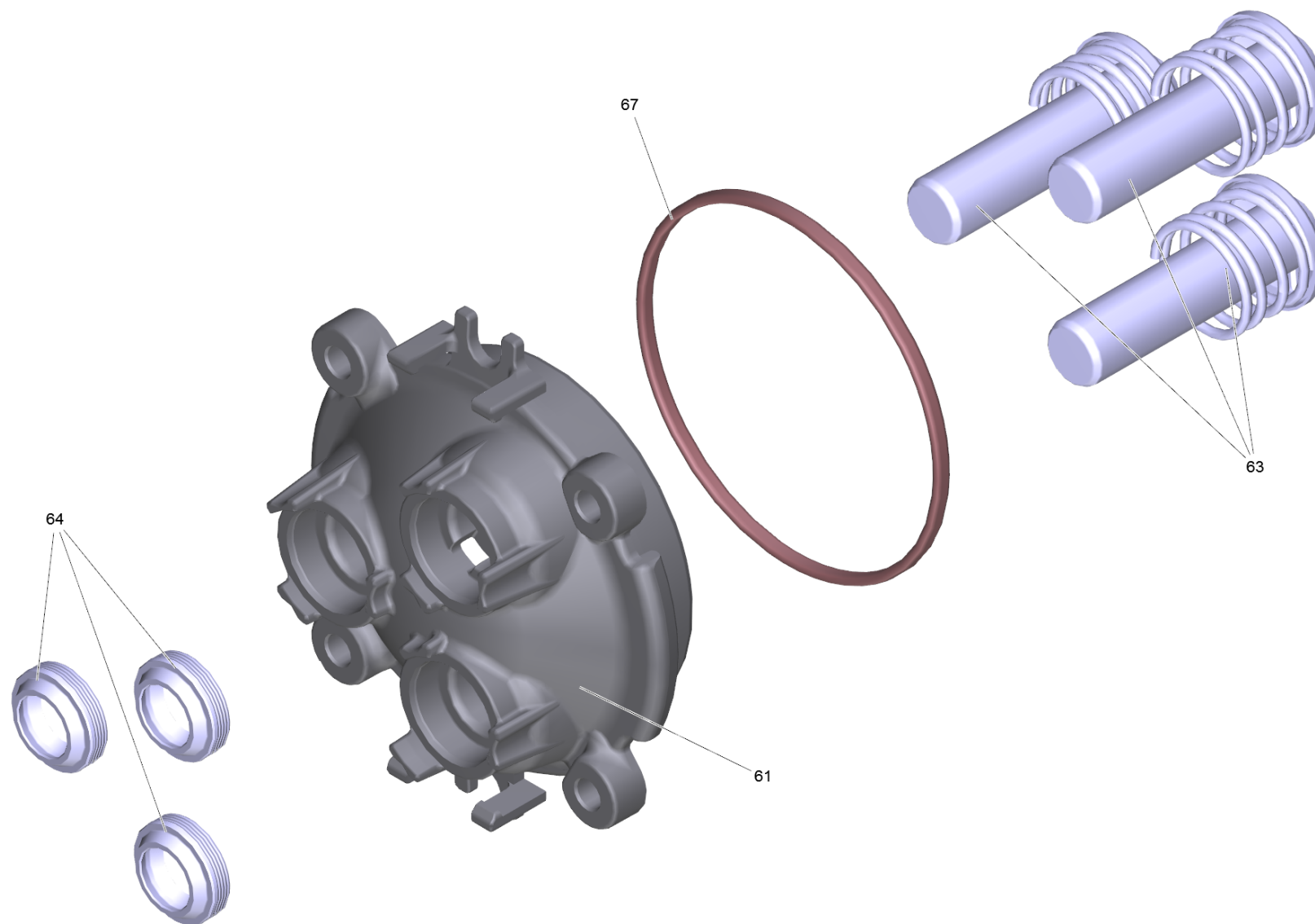




45 Spare parts set control piston with nipp (2.885-397.0)

---

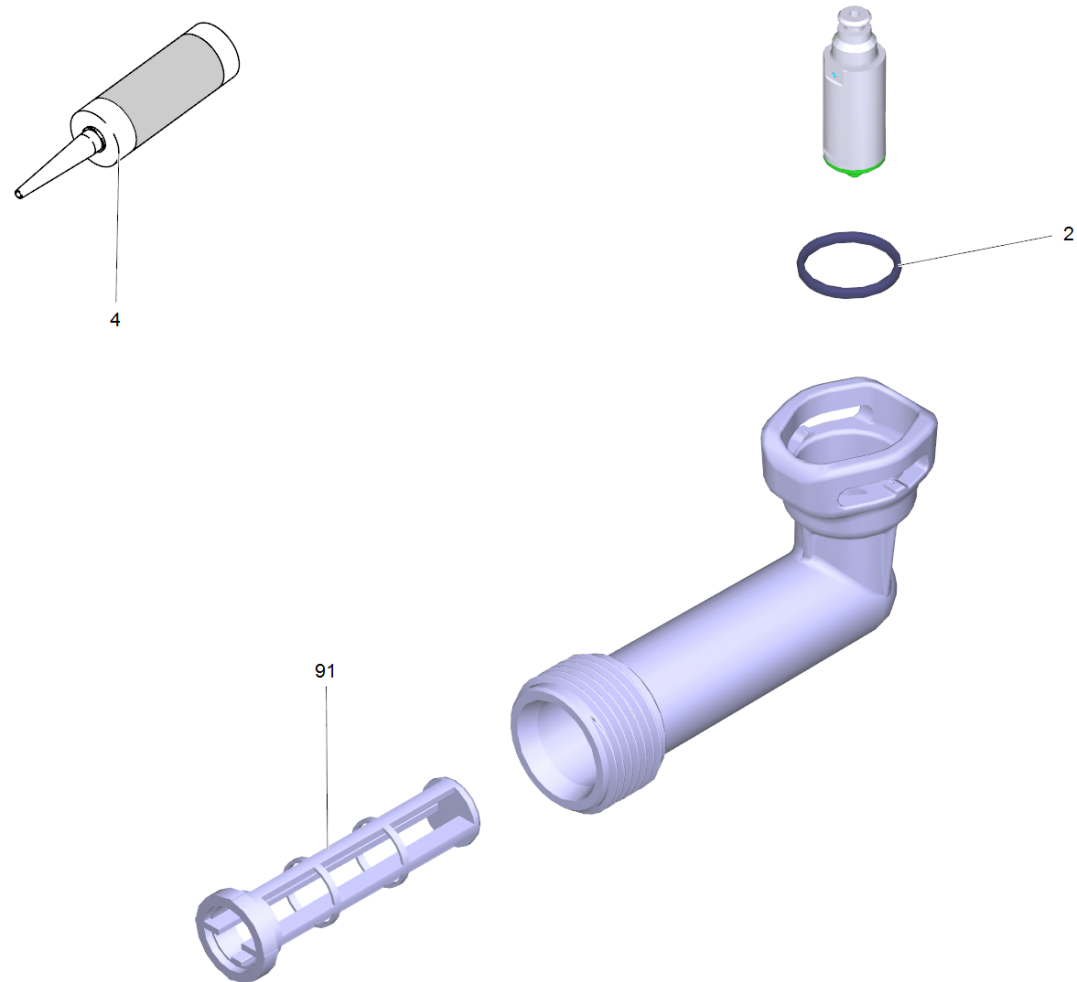
<b>POS</b>	<b>Article no.</b>	<b>Description</b>	<b>Quantity</b>	<b>Unit</b>
2	2.885-396.0	Spare parts set nipple chemistry RV	1	PC
900	6.288-088.0	Grease Molikote 55 M	1	PC



#### 43 Thrust guidance complete quadruple

---

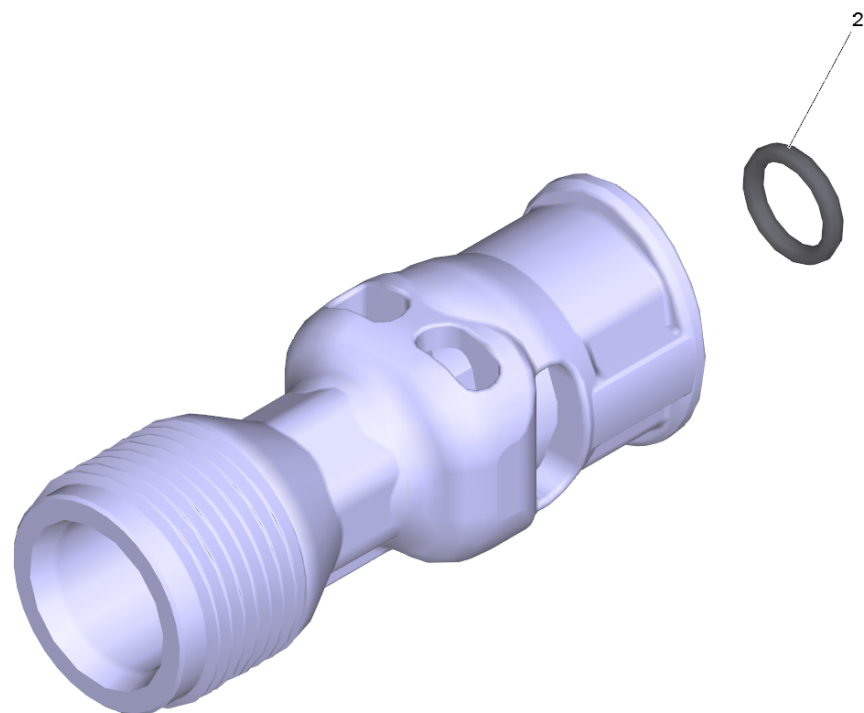
<b>POS</b>	<b>Article no.</b>	<b>Description</b>	<b>Quantity</b>	<b>Unit</b>
61	5.062-412.0	Thrust guidance V2 R V	1	PC
63	2.885-398.0	Spare parts set piston with spring RV	3	PC
64	6.365-581.0	Grooved ring 12x18x4/6 NBR 75 Shore A	3	PC
67	6.362-826.0	O-Ring seal 61,6x2,62	1	PC



7 Suction cover straight for replacement + (4.063-915.0)

---

<b>POS</b>	<b>Article no.</b>	<b>Description</b>	<b>Quantity</b>	<b>Unit</b>
2	6.362-427.0	O-Ring seal 15,0x2,0	1	PC
4	6.288-072.0	Silicon grease	1	PC
91	5.731-598.0	Fine filter long	1	PC



12 High-pressure outlet short for replaceme (4.063-916.0)

---

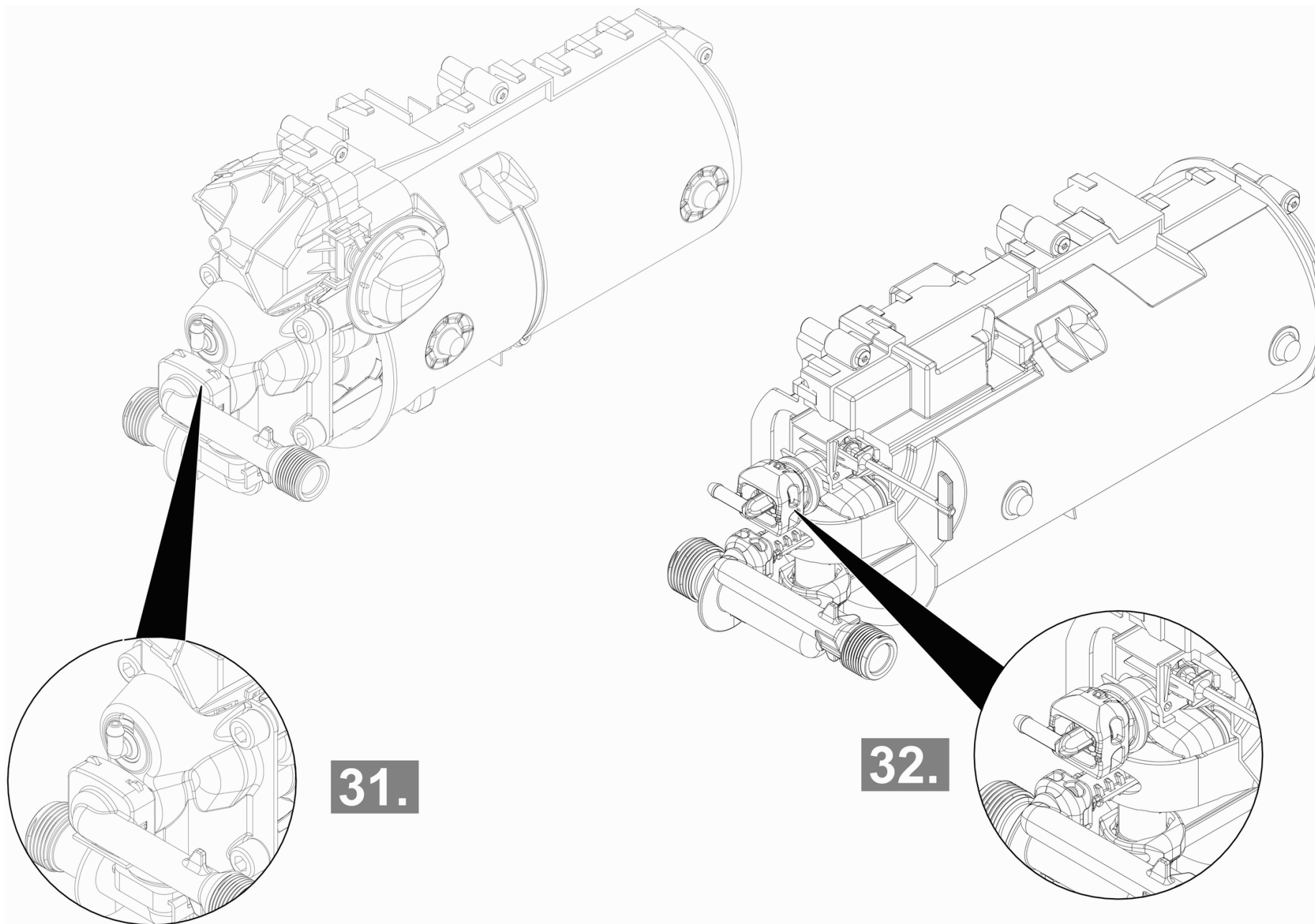
<b>POS</b>	<b>Article no.</b>	<b>Description</b>	<b>Quantity</b>	<b>Unit</b>
2	6.362-113.0	O-Ring seal 6,0 x 2,0 NBR 70	1	PC

---

## 30 Motor

POS	Article no.	Description	Quantity	Unit
1	9.755-006.0	Electric box complete replacement	1	PC
2	9.755-059.0	Housing motor	1	PC
3	6.288-112.0	Engine oil 10W-60, 1L	1	PC
4	6.363-340.0	O-Ring 50 x 2,2 NBR 80	1	PC
5	6.363-339.0	O-Ring seal 60x2,5 -NBR 80	1	PC
6	6.303-260.0	Screw 5x26,4	4	PC
7	9.760-839.0	Handhold switch Modul Range	1	PC
8	7.777-999.0	Stockpiling discontinued	1	PC
9	4.120-193.0	Wobble plate complete 5-parts 7°39'4,97	1	PC
10	5.352-093.0	Planet wheel N-cor (z22) - FEES	2	PC
11	4.100-618.0	Motor only for replacement	1	PC
	<b>Item text1:</b> 1.601-823.0/-825.0			
12	2.100-023.0	Special tool motor K2	1	PC
	<b>Item text1:</b> Pay attention to Assembly instruction!			
	<b>Item text2:</b> Montageanleitung beachten!			





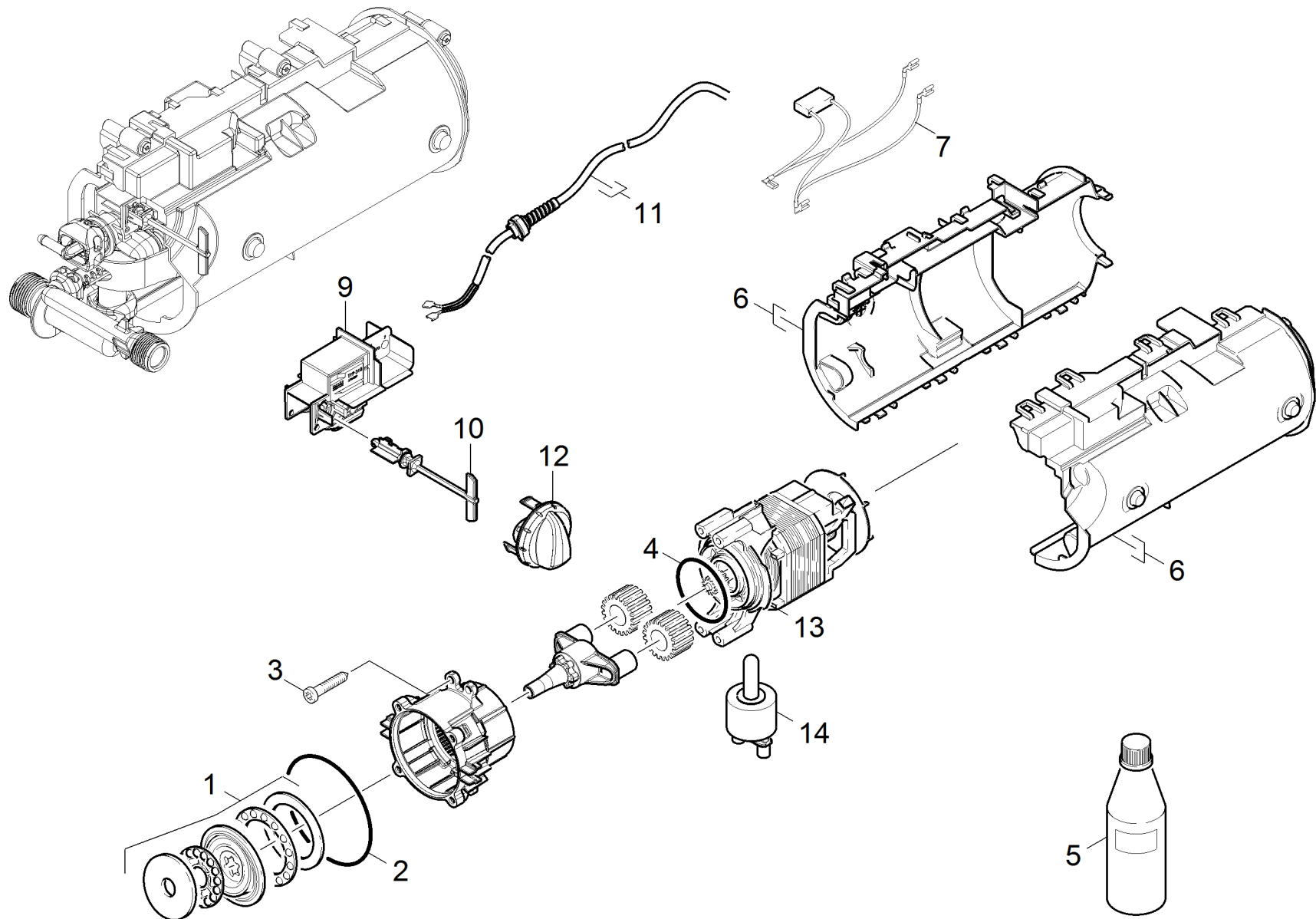
## 30 Motor

---

POS	Description	Quantity	Unit
31	Motor	1	PC
32	Motor	1	PC

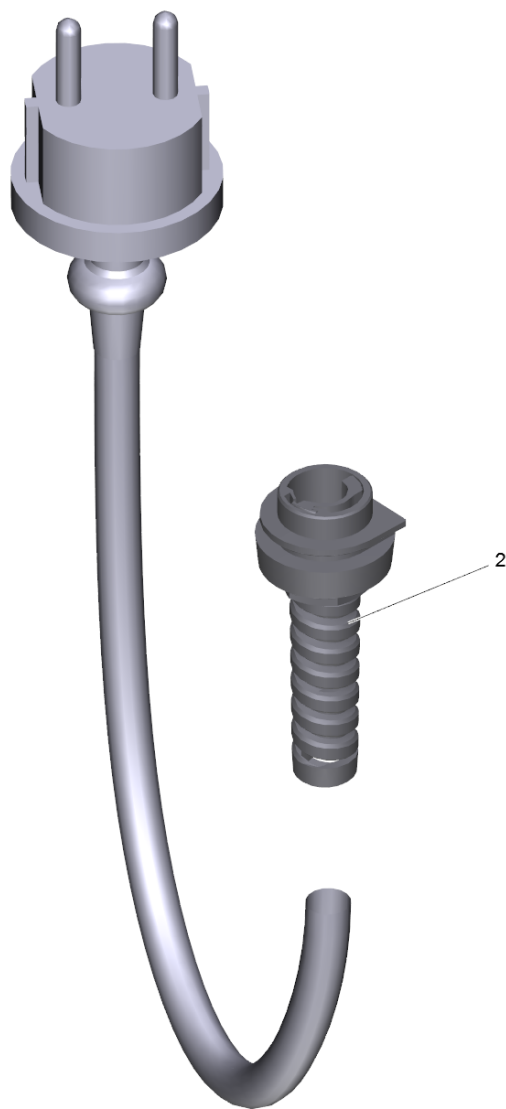
## 31 Motor

POS	Article no.	Description	Quantity	Unit
1	9.755-006.0	Electric box complete replacement	1	PC
2	9.755-059.0	Housing motor	1	PC
3	6.288-112.0	Engine oil 10W-60, 1L	1	PC
4	6.363-340.0	O-Ring 50 x 2,2 NBR 80	1	PC
5	6.363-339.0	O-Ring seal 60x2,5 -NBR 80	1	PC
6	6.303-260.0	Screw 5x26,4	4	PC
7	9.760-839.0	Handhold switch Modul Range	1	PC
8	7.777-999.0	Stockpiling discontinued	1	PC
9	4.120-193.0	Wobble plate complete 5-parts 7°39'4,97	1	PC
10	5.352-093.0	Planet wheel N-cor (z22) - FEES	2	PC
11	4.100-618.0	Motor only for replacement	1	PC
	<b>Item text1:</b> 1.601-823.0/-825.0			
12	2.100-023.0	Special tool motor K2	1	PC
	<b>Item text1:</b> Pay attention to Assembly instruction!			
	<b>Item text2:</b> Montageanleitung beachten!			



## 32 Motor

POS	Article no.	Description	Quantity	Unit
1	4.120-228.0	Wobble plate complete 5-parts 6°12'4,02ex	1	PC
2	6.362-826.0	O-Ring seal 61,6x2,62	1	PC
3	6.303-260.0	Screw 5x26,4	4	PC
4	6.363-657.0	O-Ring seal 50x2.35 NBR 70	1	PC
5	6.288-112.0	Engine oil 10W-60, 1L	1	PC
6	9.755-468.0	Motor housing pair RV	1	PC
7	6.648-389.3	Cable with capacitor 220nF (225/280mm)	1	PC
9	6.630-768.0	Switch replacement + UL/CSA RV	1	PC
10	5.105-659.0	Axle UZS 75.5mm	1	PC
11	2.885-475.0	Spare parts set strain relief with cable	1	PC
12	9.760-839.0	Handhold switch Modul Range	1	PC
13	4.100-622.0	Motor only for replacement	1	PC
	<b>Item text1:</b> 1.601-812.0/-813.0/-819.0/-820.0/-821.0/ <b>Item text2:</b> -822.0/-825.0/ 1.602-107.0			
14	2.100-023.0	Special tool motor K2	1	PC
	<b>Item text1:</b> Pay attention to Assembly instruction! <b>Item text2:</b> Montageanleitung beachten!			



11 Spare parts set strain relief with cable (2.885-475.0)

---

<b>POS</b>	<b>Article no.</b>	<b>Description</b>	<b>Quantity</b>	<b>Unit</b>
2	9.760-372.0	strain relief	1	PC

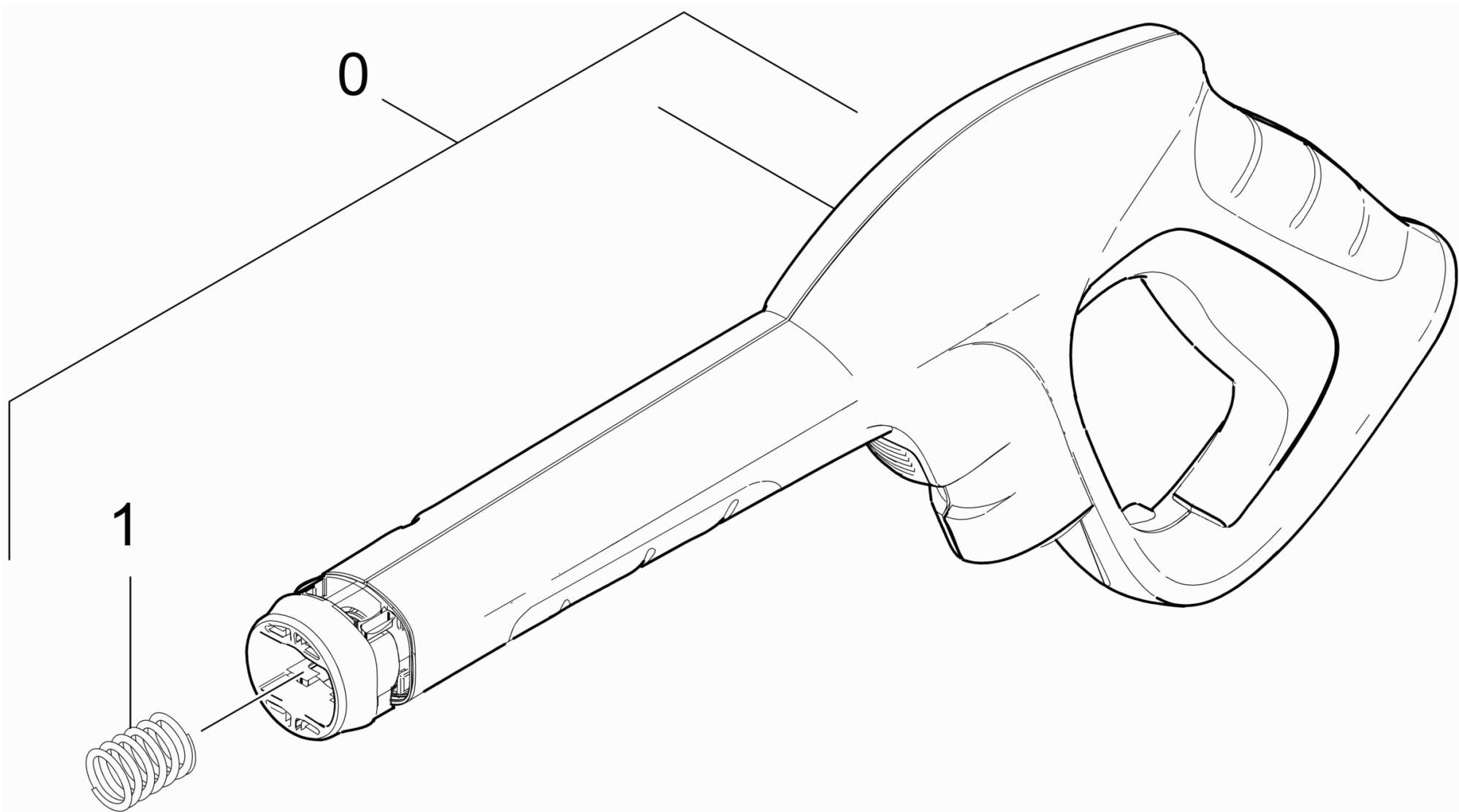
---

## 40 Accessories

---

<b>POS</b>	<b>Description</b>	<b>Quantity</b>	<b>Unit</b>	<b>Remark</b>
41	Hand trigger gun	1	PC	
42	High pressure hose	1	PC	
43	Vario-Power Jet pipe K2	1	PC	
44	Dirt blaster	1	PC	
45	Washing brush	1	PC	
46	Surface cleaner	1	PC	T 250
47	PS 20 power swab	1	PC	
48	Surface cleaner	1	PC	T350





## 41 Hand trigger gun

---

<b>POS</b>	<b>Article no.</b>	<b>Description</b>	<b>Quantity</b>	<b>Unit</b>
0	2.642-889.0	G 180 Q Trigger gun Quick Connect	1	PC
1	5.332-464.0	Pressure spring	1	PC

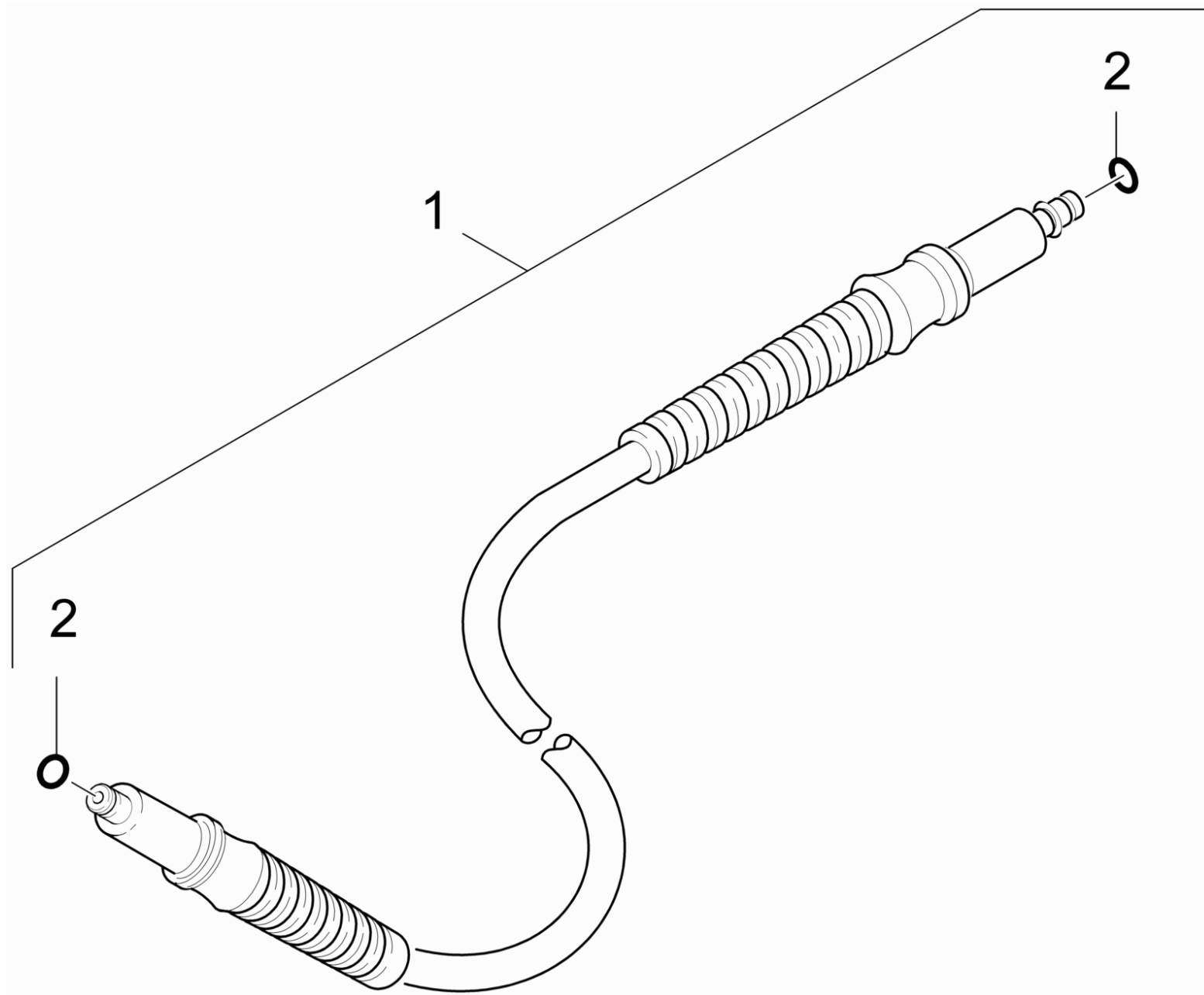


G 180 Q Trigger gun Quick Connect (2.642-889.0)

---

<b>POS</b>	<b>Article no.</b>	<b>Description</b>	<b>Quantity</b>	<b>Unit</b>
1	5.332-464.0	Pressure spring	1	PC

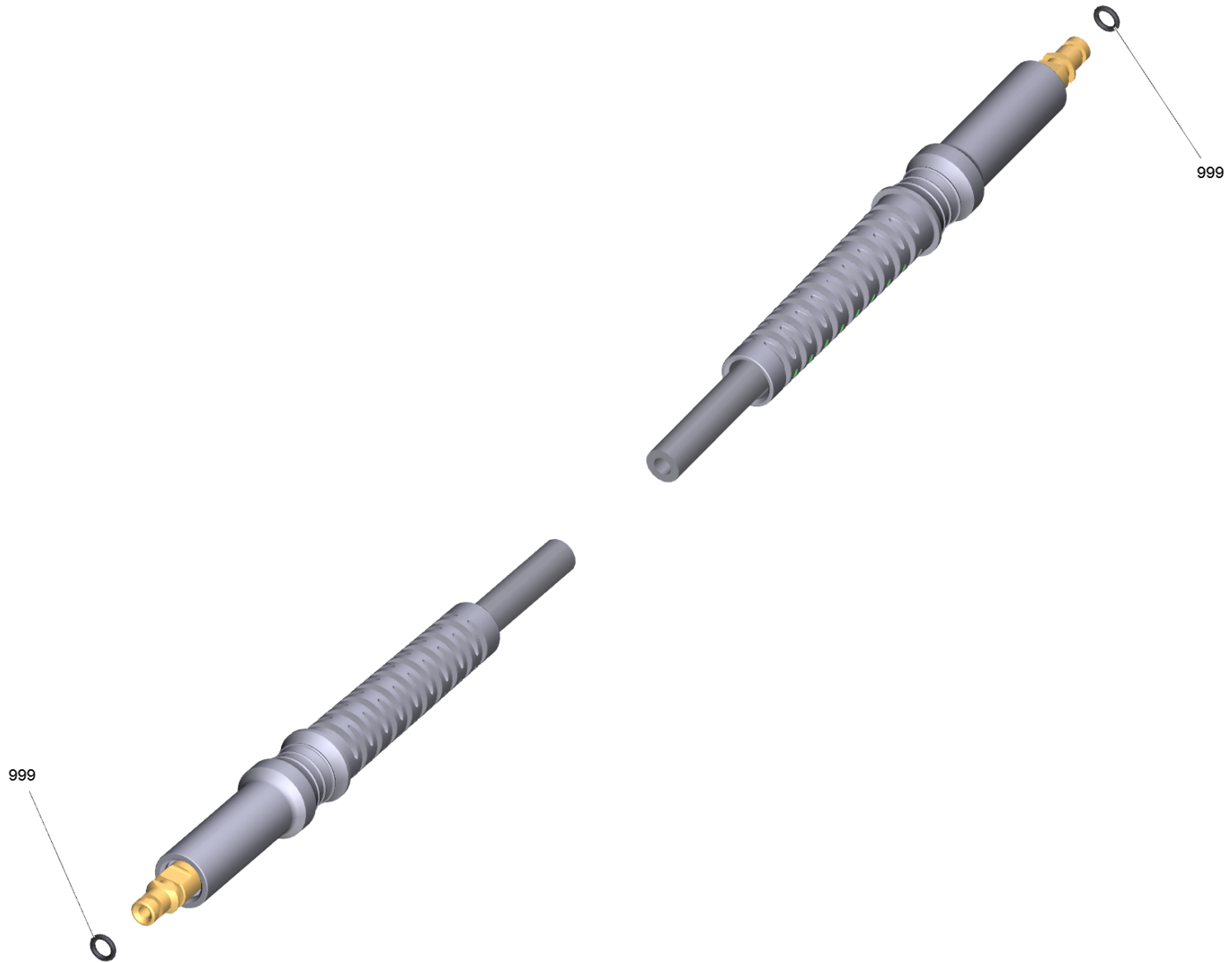
---



## 42 High pressure hose

---

<b>POS</b>	<b>Article no.</b>	<b>Description</b>	<b>Quantity</b>	<b>Unit</b>
1	2.641-721.0	H 9 Q high pressure hose Quick Connect	1	PC
2	6.363-410.0	O-Ring seal 5,7x1,78 NBR 90Shore	2	PC



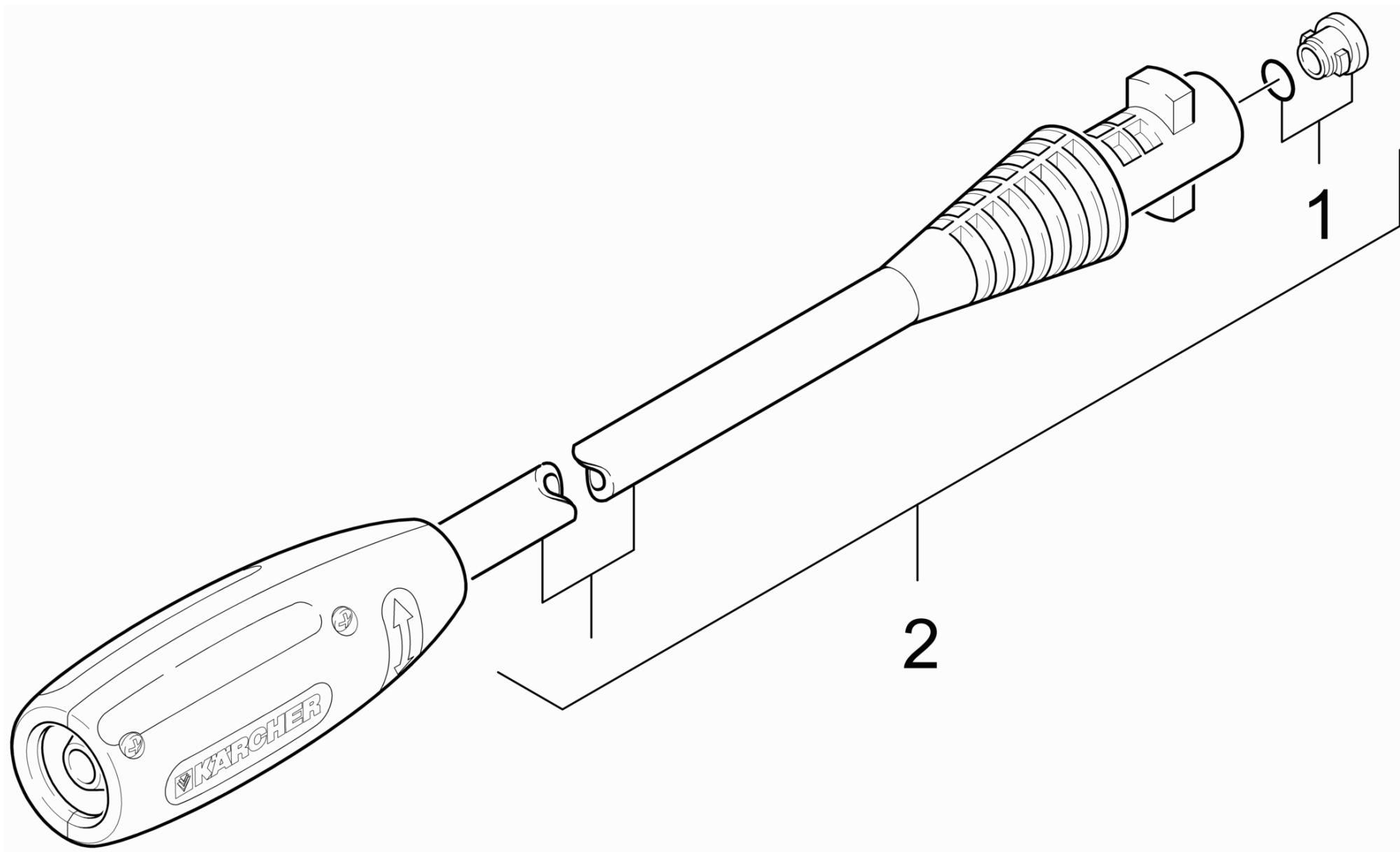
1 H 9 Q high pressure hose Quick Connect (2.641-721.0)

---

<b>POS</b>	<b>Article no.</b>	<b>Description</b>	<b>Quantity</b>	<b>Unit</b>
999	2.640-729.0	O-Ring seal set	1	PC

---





43 Vario-Power Jet pipe K2

---

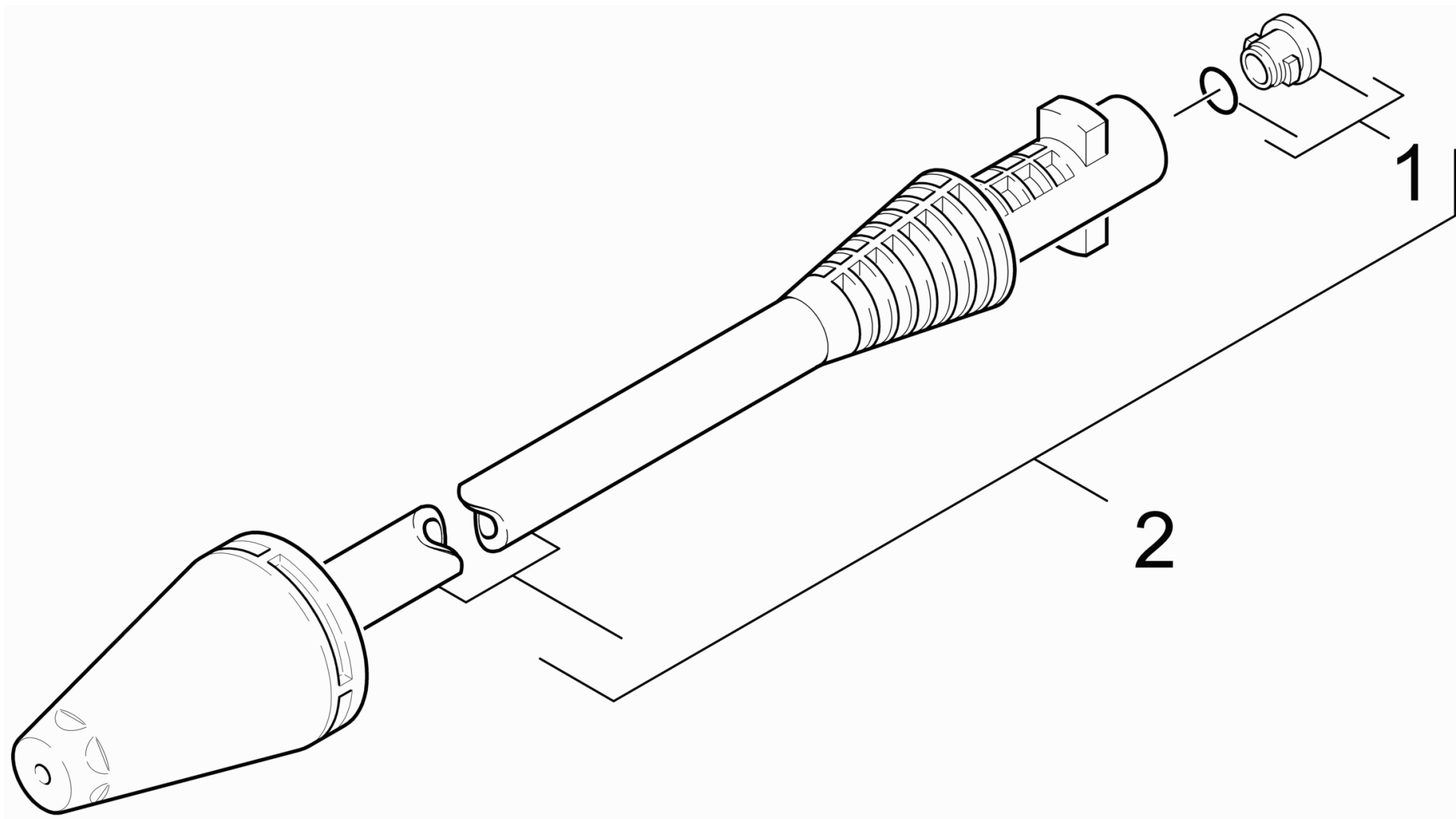
<b>POS</b>	<b>Article no.</b>	<b>Description</b>	<b>Quantity</b>	<b>Unit</b>
1	2.640-729.0	O-Ring seal set	1	PC
2	4.760-535.0	VPS K2 025	1	PC



2 VPS K2 025 (4.760-535.0)

---

POS	Article no.	Description	Quantity	Unit
1	2.640-729.0	O-Ring seal set	1	PC



#### 44 Dirt blaster

---

<b>POS</b>	<b>Article no.</b>	<b>Description</b>	<b>Quantity</b>	<b>Unit</b>
1	2.640-729.0	O-Ring seal set	1	PC
2	4.764-243.0	Dirt blaster K2 027 St	1	PC



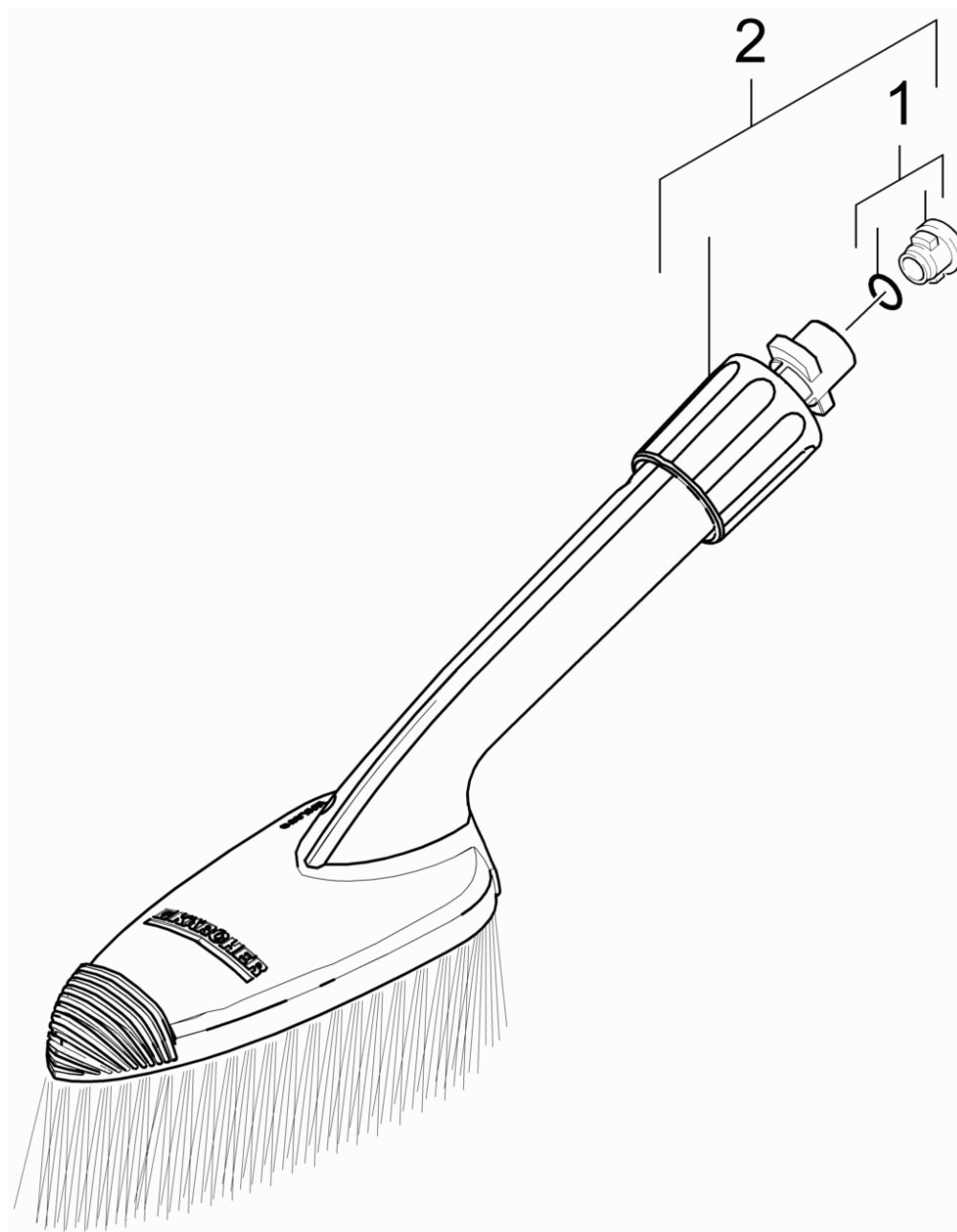
2 Dirt blaster K2 027 St (4.764-243.0)

---

<b>POS</b>	<b>Article no.</b>	<b>Description</b>	<b>Quantity</b>	<b>Unit</b>
1	2.640-729.0	O-Ring seal set	1	PC

---

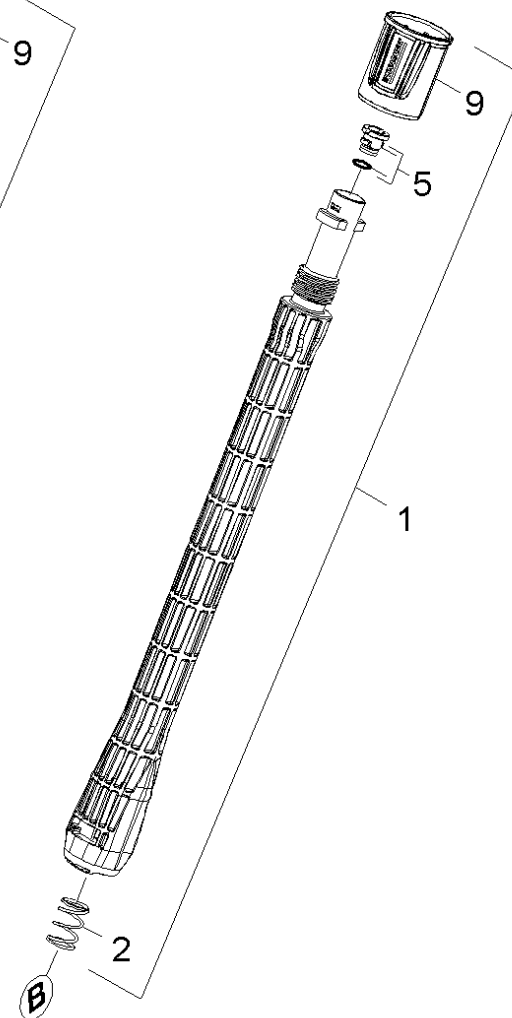
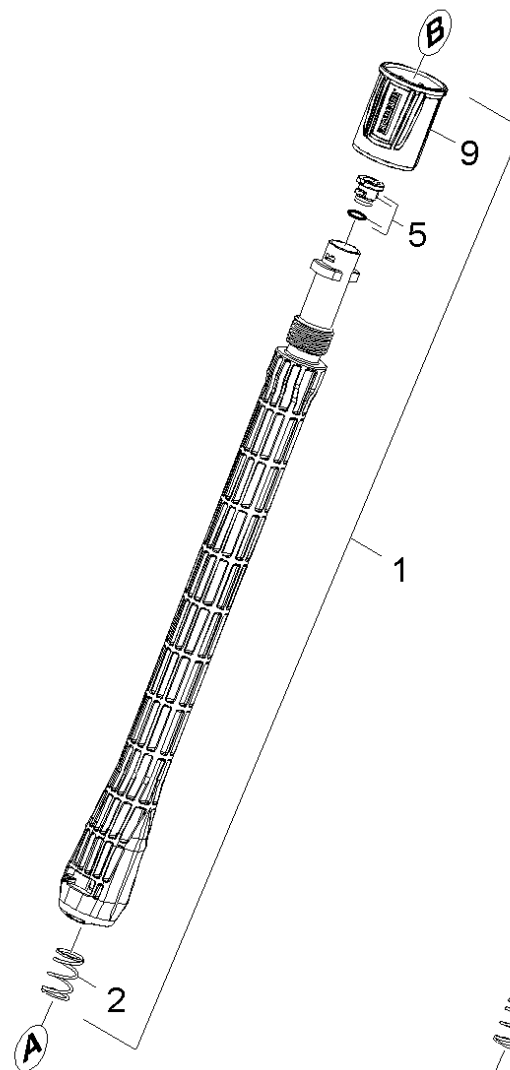
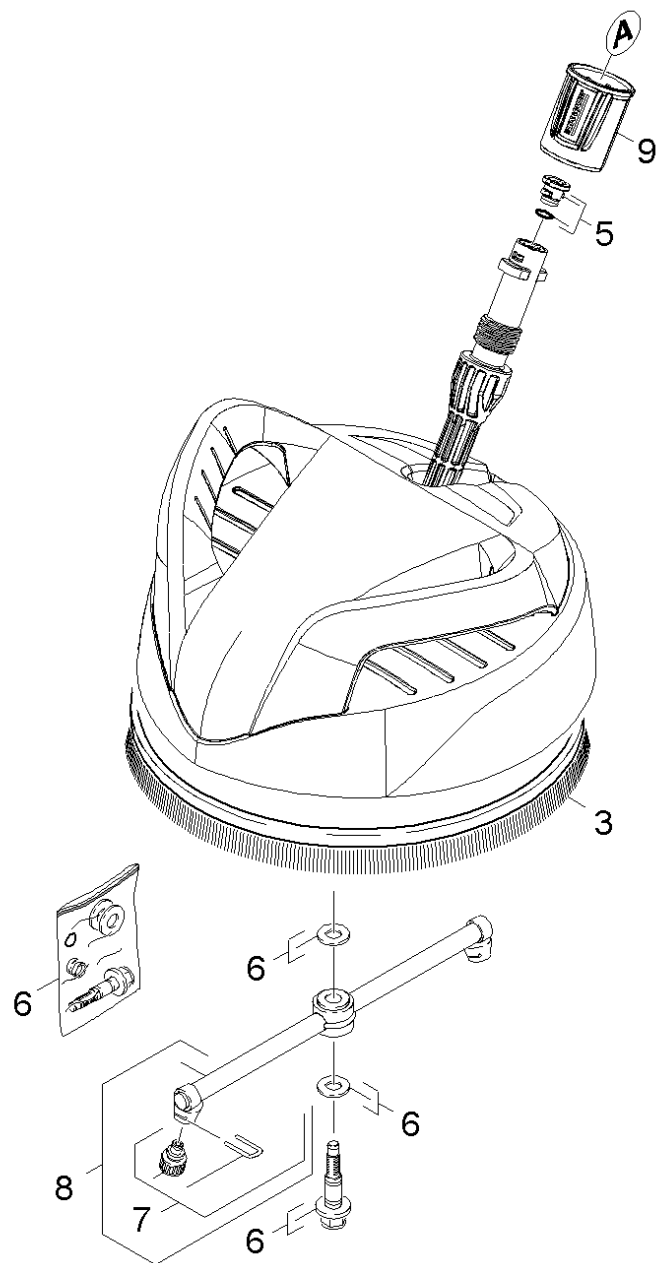




45 Washing brush

---

<b>POS</b>	<b>Article no.</b>	<b>Description</b>	<b>Quantity</b>	<b>Unit</b>
1	2.640-729.0	O-Ring seal set	1	PC
2	2.640-589.0	Brush lengthwise	1	PC



## 46 Surface cleaner

---

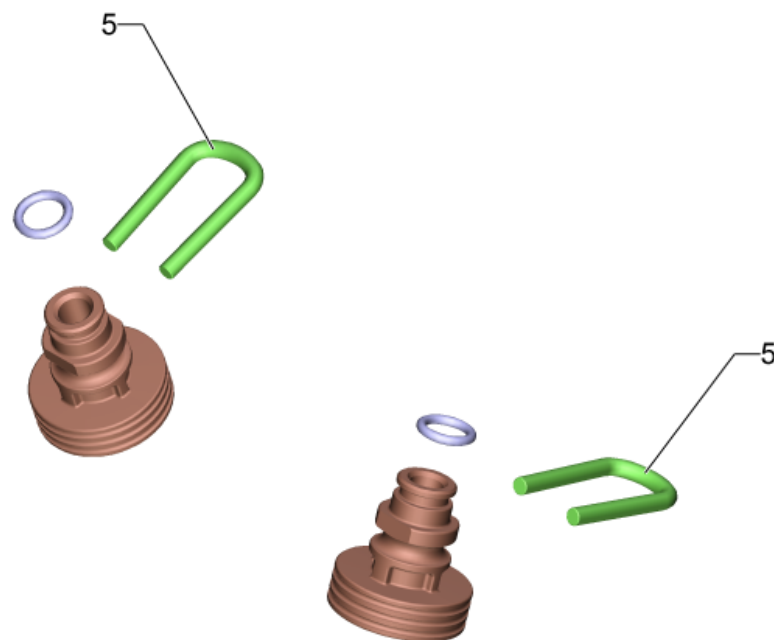
POS	Article no.	Description	Quantity	Unit
1	2.643-240.0	Single-step jet pipe extension	2	PC
2	5.332-464.0	Pressure spring	2	PC
3	9.002-592.3	Brush linear c/imballo	1	PC
5	2.640-729.0	O-Ring seal set	3	PC
6	2.883-994.0	Spare part set set of gaskets neutrally	1	PC
7	2.643-338.0	Spare parts nozzles T-Racer	1	PC
8	2.885-003.0	Spare part set rotor neutrally	1	PC
9	5.310-160.0	Nut Kaercher	3	PC




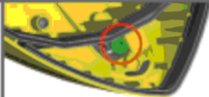









1 Single-step jet pipe extension (2.643-240.0)




---

<b>POS</b>	<b>Article no.</b>	<b>Description</b>	<b>Quantity</b>	<b>Unit</b>
3	2.640-729.0	O-Ring seal set	1	PC
8	5.332-464.0	Pressure spring	1	PC
10	5.310-160.0	Nut Kaercher	1	PC



T 50, T 70, T 80, T 100 T 150, T 200, T 250, T 300, T 400, T 450, T 550	K 2 - K 5		
	K 6 - K 7		
T 400, T 450 T 550			
T 200, T 250	K 6 - K 7		
T 350 Gas			

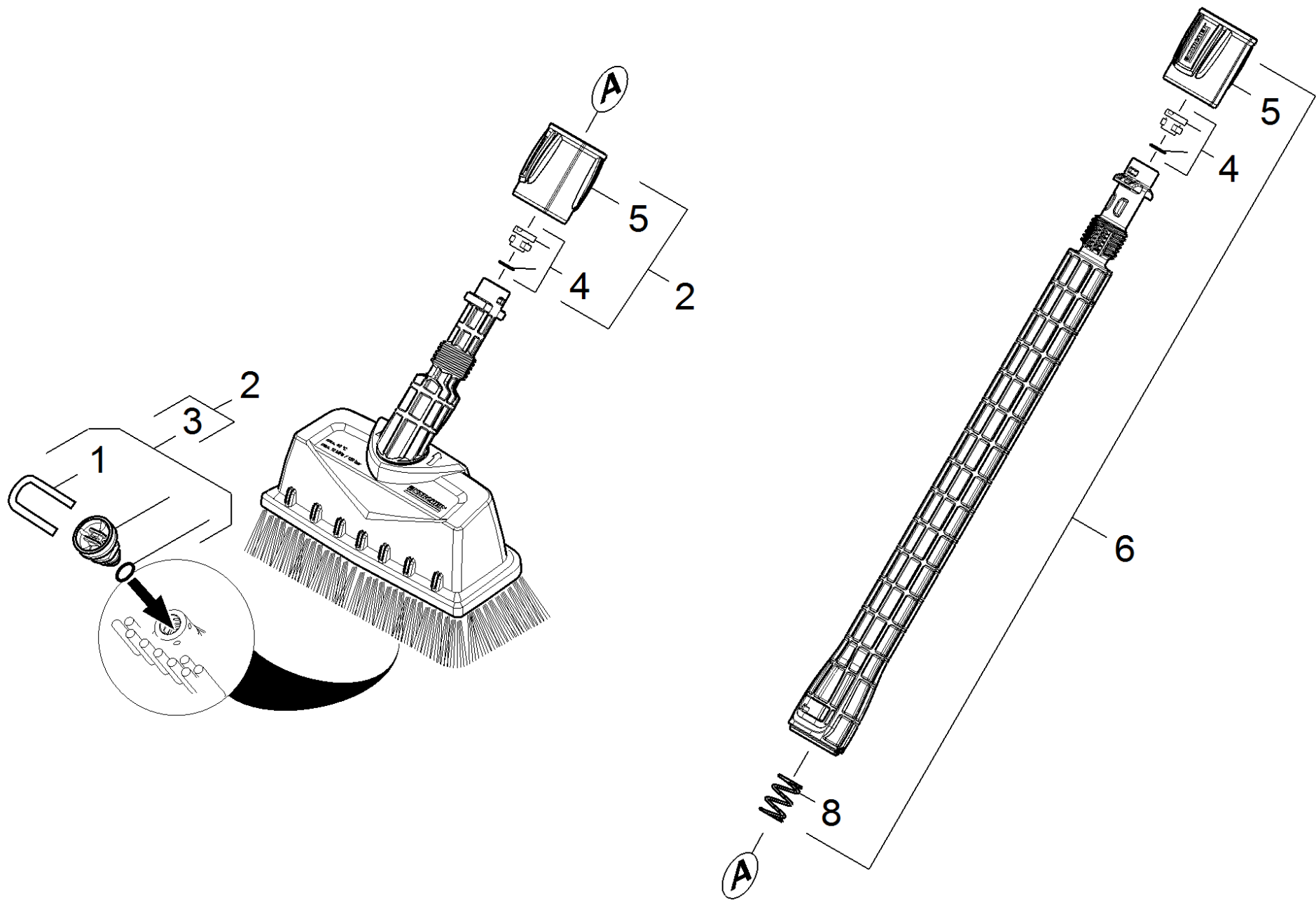
	K 3 - K 5	
	K 6 - K 7	

	K 2	
	K 3 - K 5	



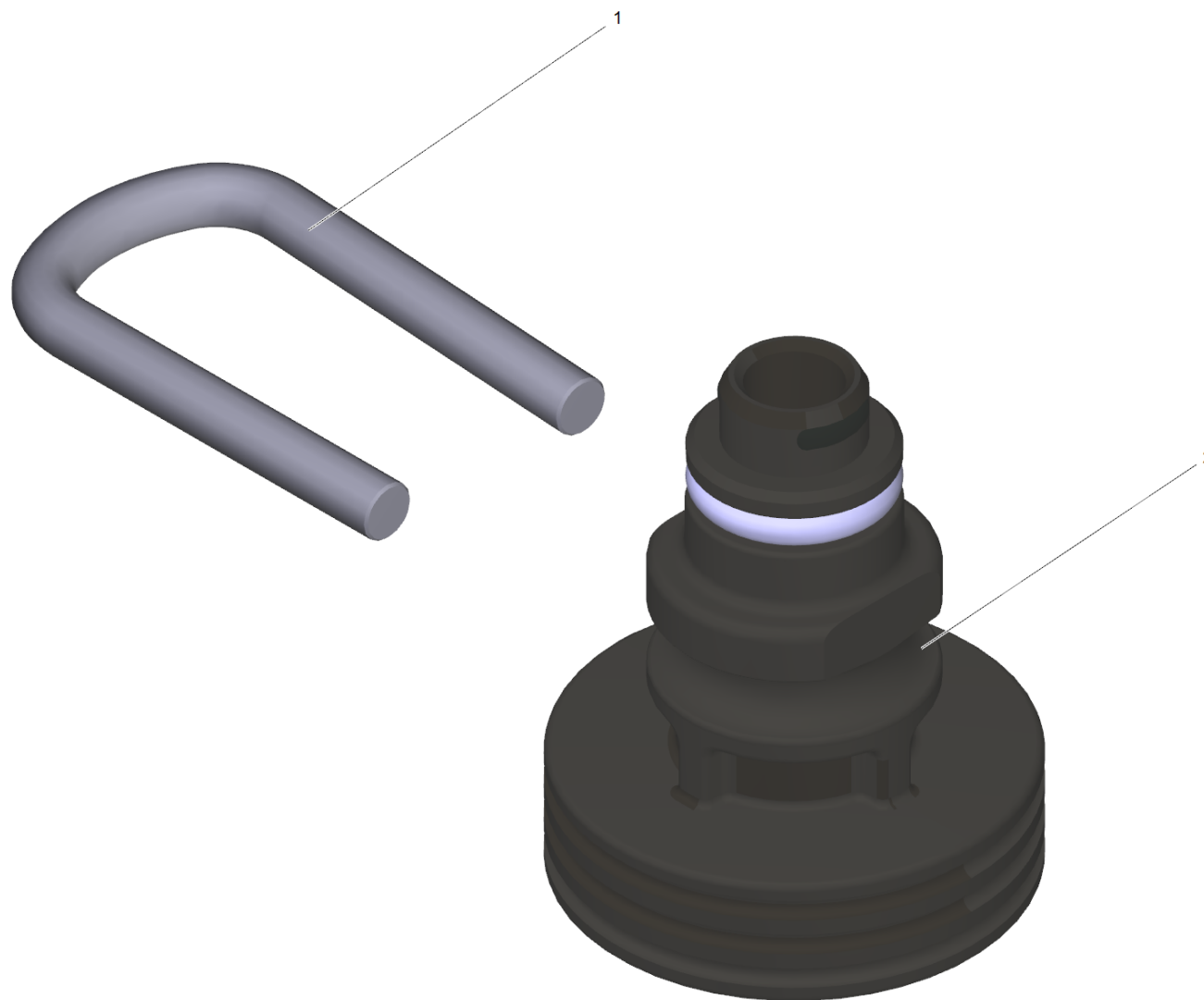
7 Spare parts nozzles T-Racer (2.643-338.0)

POS	Article no.	Description	Quantity	Unit	Remark	Foot note text
1	4.764-155.0	Nozzle complete 15015	1	PC	<13 MPa (<130 bar)	GREY
		<b>Item text1:</b> 015				
2	4.764-156.0	Nozzle complete 15020	1	PC	13 MPa (130 bar) - 16 MPa (160 bar)	YELLOW
		<b>Item text1:</b> 020				
3		Nozzle complete 15027	1	PC		BLACK
		<b>Item text1:</b> 027				
4	4.764-190.0	Nozzle kpl. 75047	1	PC		GREEN
		<b>Item text1:</b> 047				
5	5.037-151.0	Clamp	2	PC		



47 PS 20 power swab

POS	Article no.	Description	Quantity	Unit	Foot note text
1	5.037-151.0	Clamp	2	PC	
2	4.762-564.0	PS 20 power swab	1	PC	
3	2.885-356.0	Spare parts set power swab PS 20 018	1	PC	BLACK
4	2.640-729.0	O-Ring seal set	2	PC	
5	5.310-160.0	Nut Kaercher	2	PC	
6	2.643-240.0	Single-step jet pipe extension	1	PC	
8	5.332-464.0	Pressure spring	1	PC	



3 Spare parts set power swab PS 20 018 (2.885-356.0)

---

<b>POS</b>	<b>Article no.</b>	<b>Description</b>	<b>Quantity</b>	<b>Unit</b>
1	5.037-151.0	Clamp	2	PC
2	4.762-566.0	Nozzle complete black	2	PC



2 Nozzle complete black (4.762-566.0)

---

POS	Article no.	Description	Quantity	Unit
1	6.363-609.0	O-Ring seal 5 x 1,2 -EPDM	1	PC

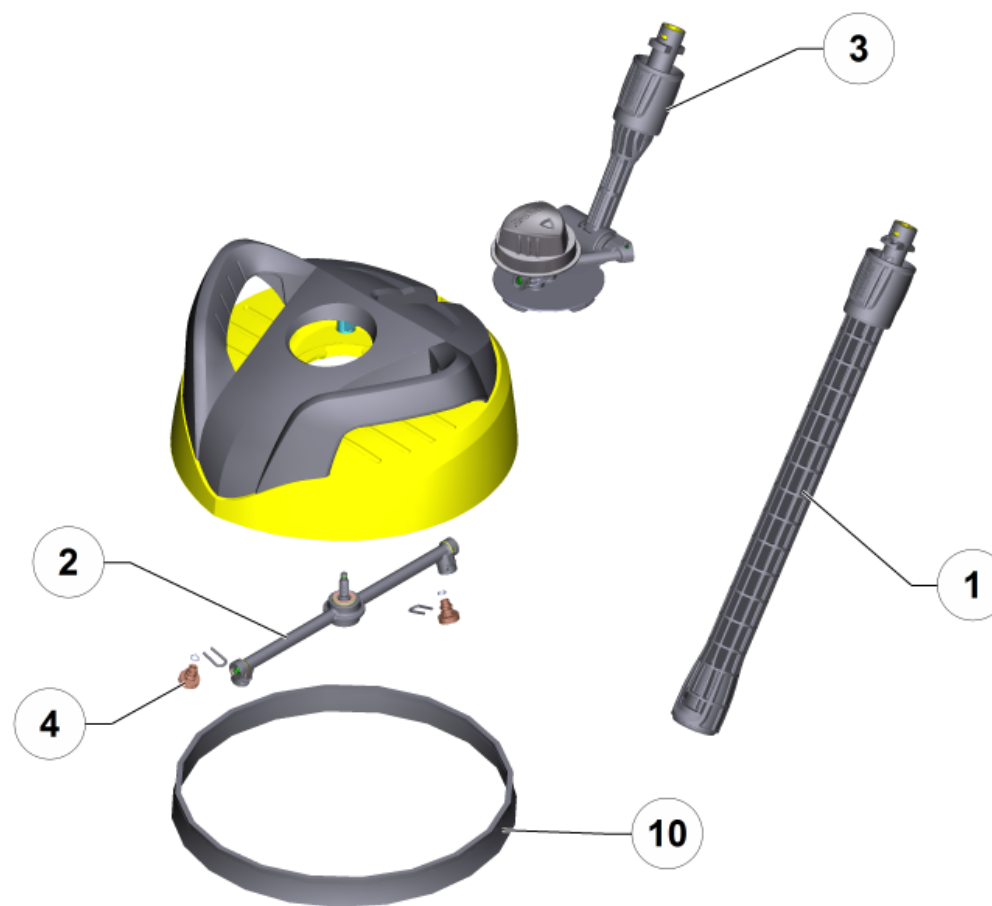




6 Single-step jet pipe extension (2.643-240.0)

---

<b>POS</b>	<b>Article no.</b>	<b>Description</b>	<b>Quantity</b>	<b>Unit</b>
3	2.640-729.0	O-Ring seal set	1	PC
8	5.332-464.0	Pressure spring	1	PC
10	5.310-160.0	Nut Kaercher	1	PC



## 48 Surface cleaner

---

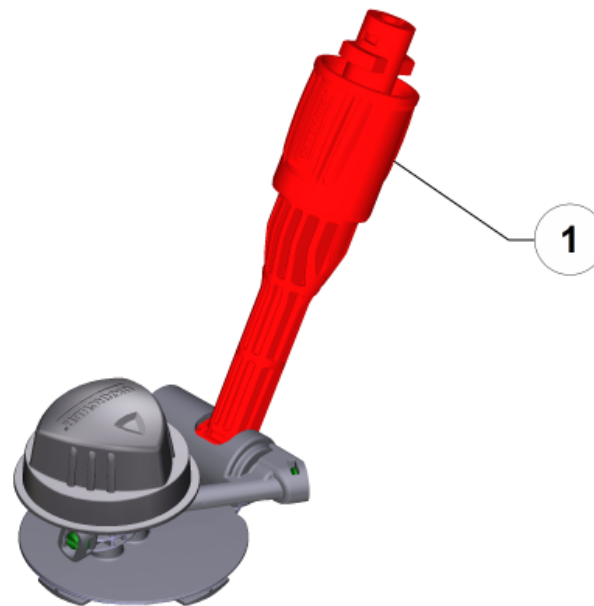
<b>POS</b>	<b>Article no.</b>	<b>Description</b>	<b>Quantity</b>	<b>Unit</b>
1	2.643-240.0	Single-step jet pipe extension	2	PC
2	2.885-407.0	Spare part set rotor complete	1	PC
3		Bearing support kpl.	1	PC
4	2.644-081.0	replacement nozzles T-Racer	1	PC
10	9.002-592.3	Brush linear c/imballo	1	PC



1 Single-step jet pipe extension (2.643-240.0)

---

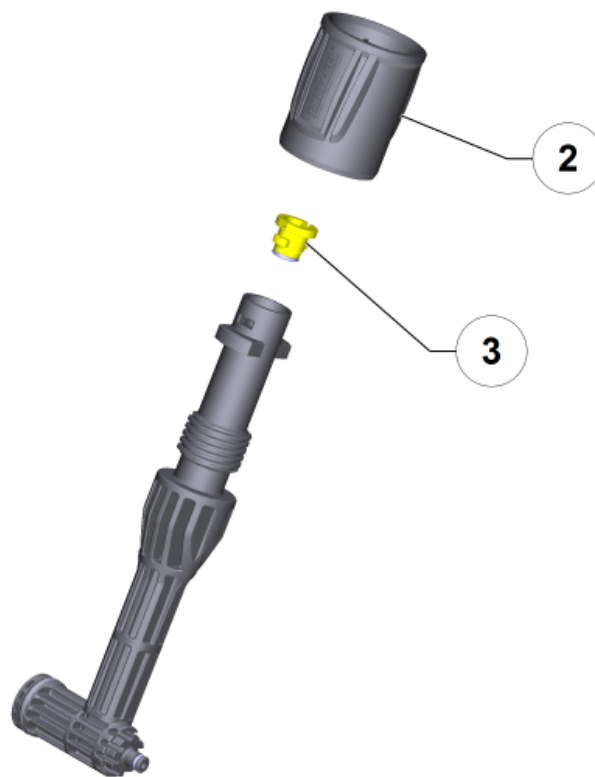
<b>POS</b>	<b>Article no.</b>	<b>Description</b>	<b>Quantity</b>	<b>Unit</b>
3	2.640-729.0	O-Ring seal set	1	PC
8	5.332-464.0	Pressure spring	1	PC
10	5.310-160.0	Nut Kaercher	1	PC



3 Bearing support kpl.

---

POS	Description	Quantity	Unit
1	Adapter complete	1	PC

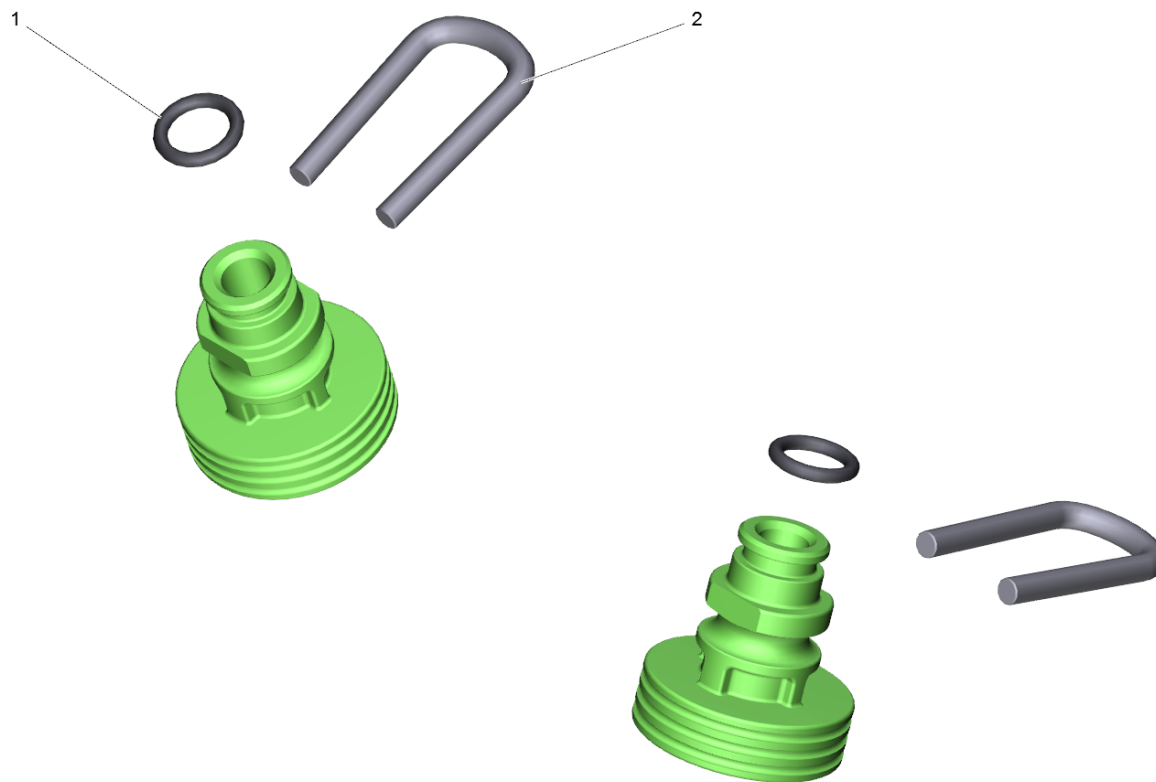




1 Adapter complete

---

<b>POS</b>	<b>Article no.</b>	<b>Description</b>	<b>Quantity</b>	<b>Unit</b>
2	5.310-160.0	Nut Kaercher	1	PC
3	2.640-729.0	O-Ring seal set	1	PC



4 replacement nozzles T-Racer (2.644-081.0)

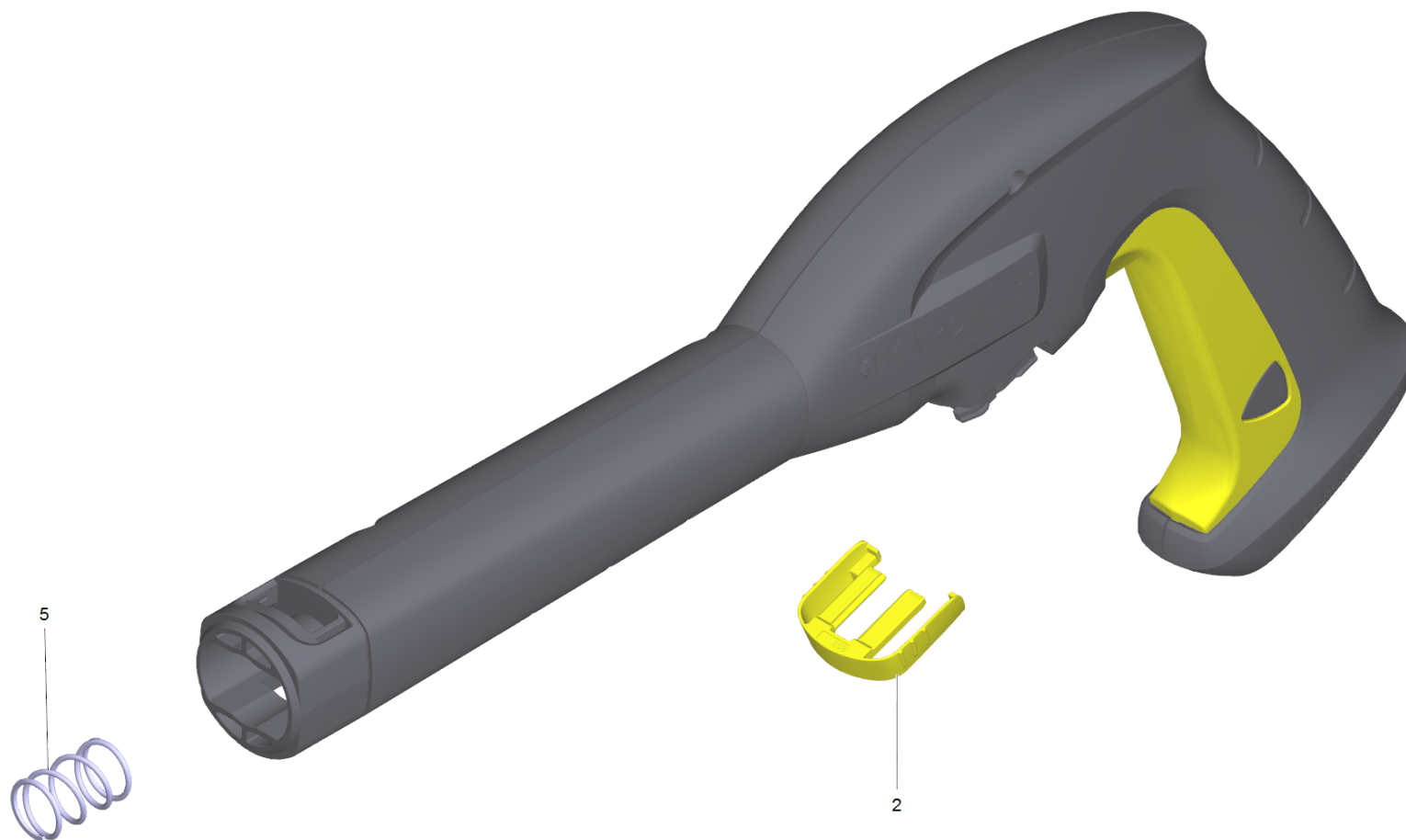
---

<b>POS</b>	<b>Article no.</b>	<b>Description</b>	<b>Quantity</b>	<b>Unit</b>
1	6.363-609.0	O-Ring seal 5 x 1,2 -EPDM	2	PC
2	5.037-151.0	Clamp	2	PC



202 Spare parts list K3 \*EU (QC)

POS	Article no.	Description	Quantity	Unit
10	4.775-236.3	Pistol entry	1	PC
11	6.396-715.0	High pressure hose 13,5MPa/6 40°C QCS B	1	PC
12	4.760-313.3	VPS entry 026 K	1	PC
14	4.764-342.3	Dirt blaster entry 026 ST	1	PC
15	6.465-031.0	Connection 3/4	1	PC
109		Pump set complete K3 FC/MR *EU (0,8kW)	1	PC
111	9.755-600.0	Housing pair replacement MR (QC)	1	PC
114	9.762-034.0	Hand grip K3.190*EU	1	PC
115	9.762-080.0	Hand grip covering cap	1	PC
118	9.755-247.0	Tank cleaning agents spare part K2 famil	1	PC
119		Hose cleaning agents complete K2 FAMILY	1	PC
123	9.086-221.0	Screw ATF 4.1x22	11	PC
150	9.760-839.0	Handhold switch Modul Range	1	PC
901	9.755-601.0	Bumper with wheel replacement MR (QC)	1	PC



10 Pistol entry (4.775-236.3)

---

<b>POS</b>	<b>Article no.</b>	<b>Description</b>	<b>Quantity</b>	<b>Unit</b>
2	5.037-333.0	Clamp pistol Entry	1	PC
5	5.332-464.0	Pressure spring	1	PC

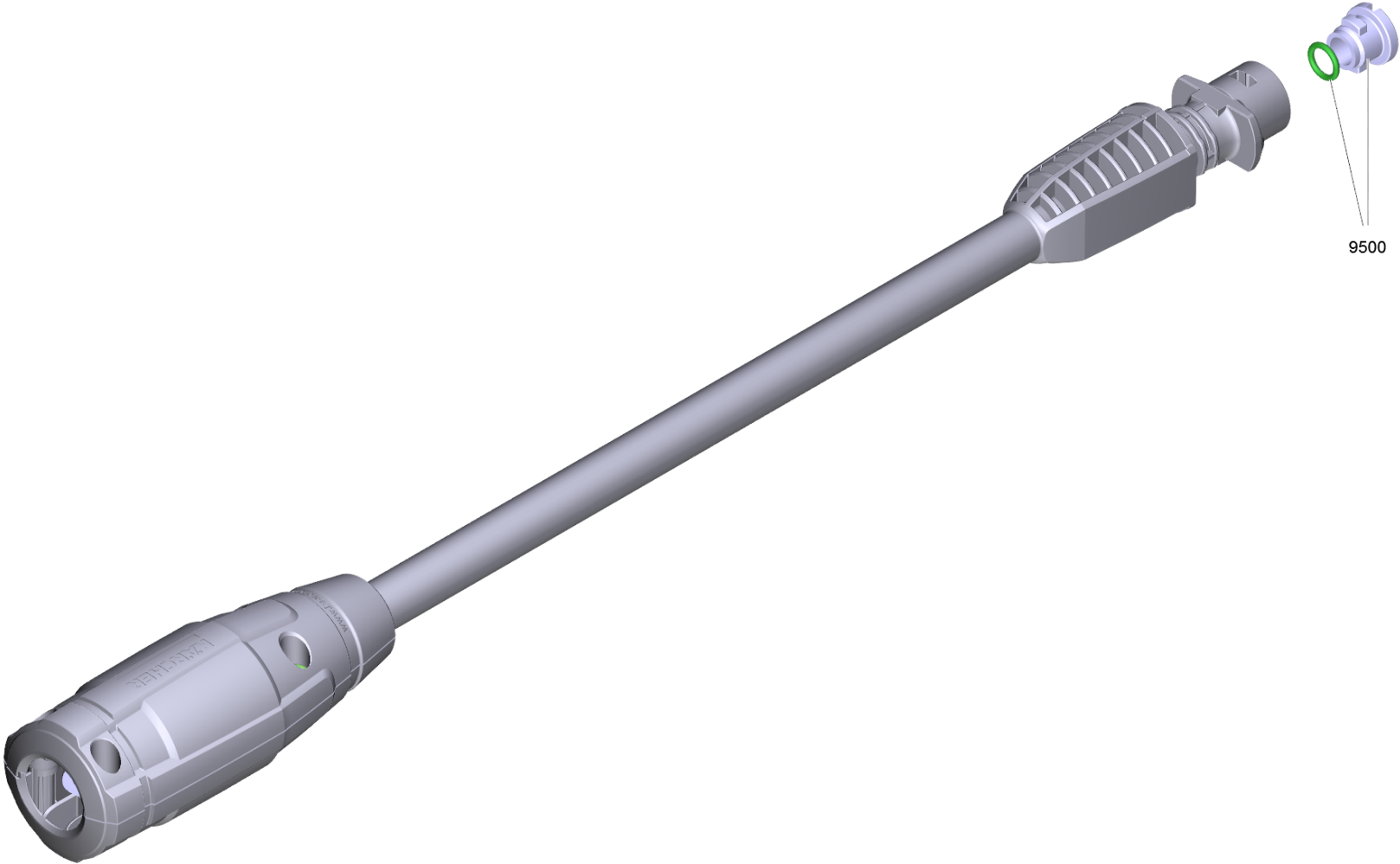
11 High pressure hose 13,5MPa/6 40°C QCS B (6.396-715.0)

---

<b>POS</b>	<b>Article no.</b>	<b>Description</b>	<b>Quantity</b>	<b>Unit</b>
9500	2.640-729.0	O-Ring seal set	1	PC

---





12 VPS entry 026 K (4.760-313.3)

---

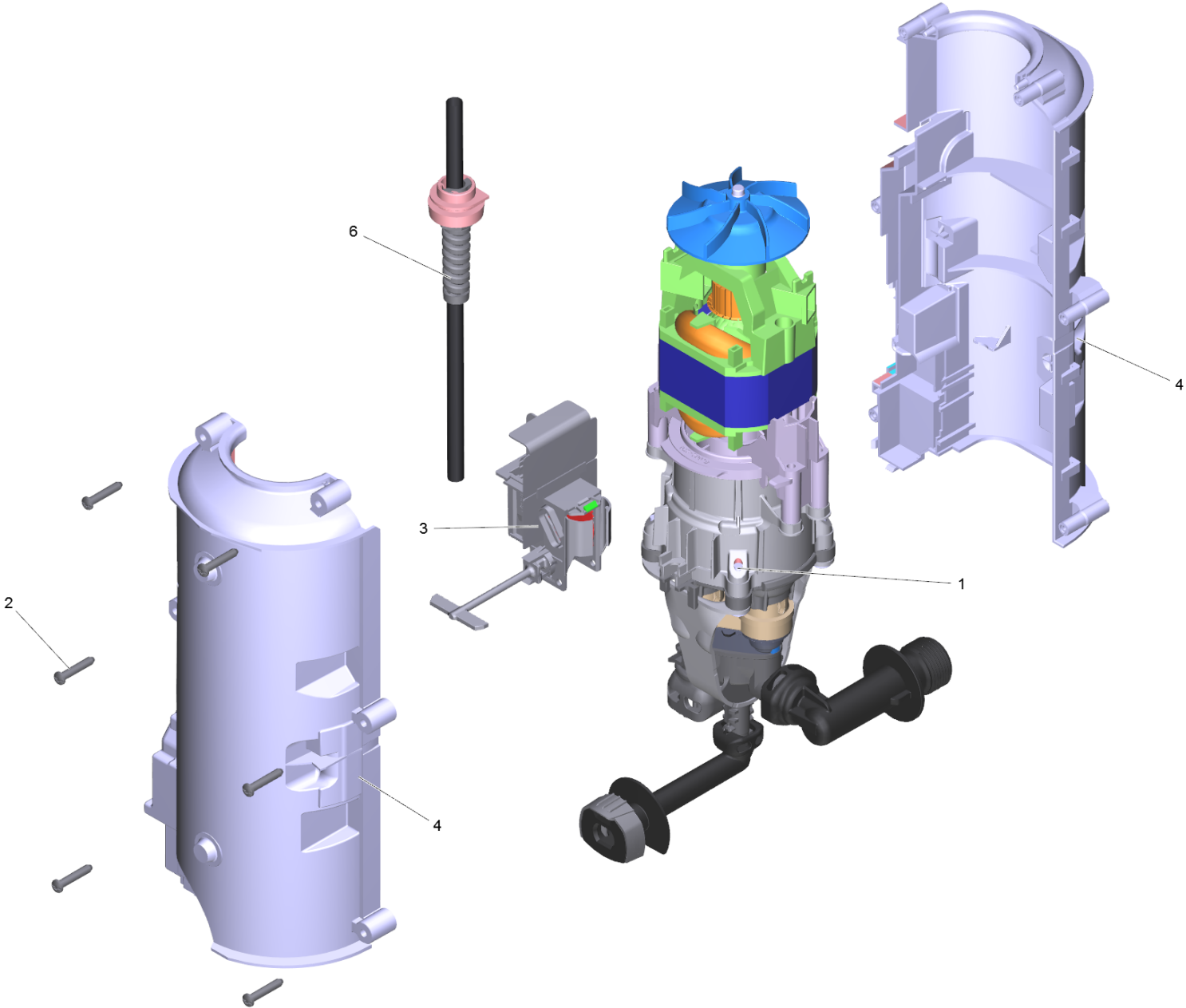
<b>POS</b>	<b>Article no.</b>	<b>Description</b>	<b>Quantity</b>	<b>Unit</b>
9500	2.640-729.0	O-Ring seal set	1	PC



14 Dirt blaster entry 026 ST (4.764-342.3)

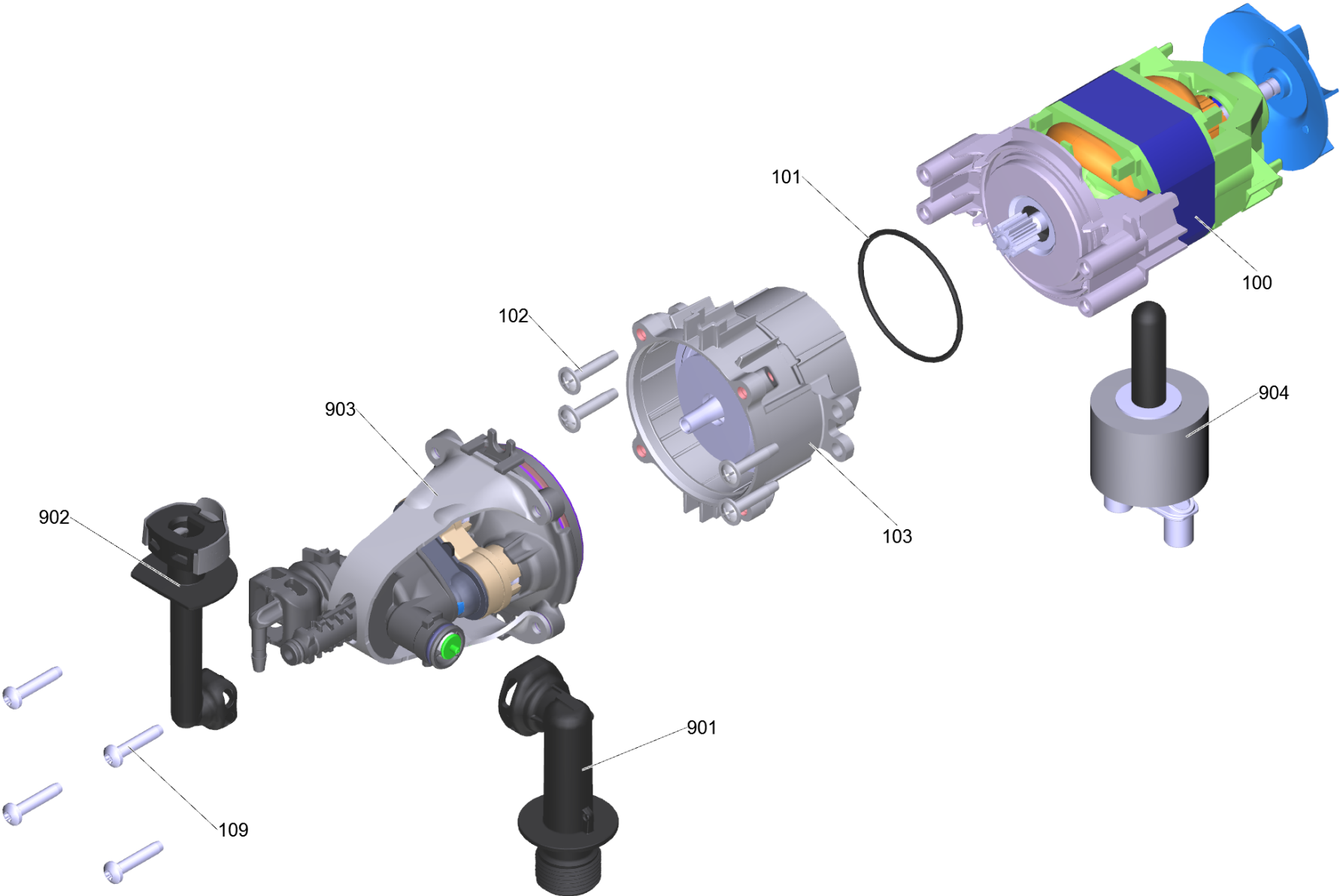
---

<b>POS</b>	<b>Article no.</b>	<b>Description</b>	<b>Quantity</b>	<b>Unit</b>
9500	2.640-729.0	O-Ring seal set	1	PC



109 Pump set complete K3 FC/MR \*EU (0,8kW)

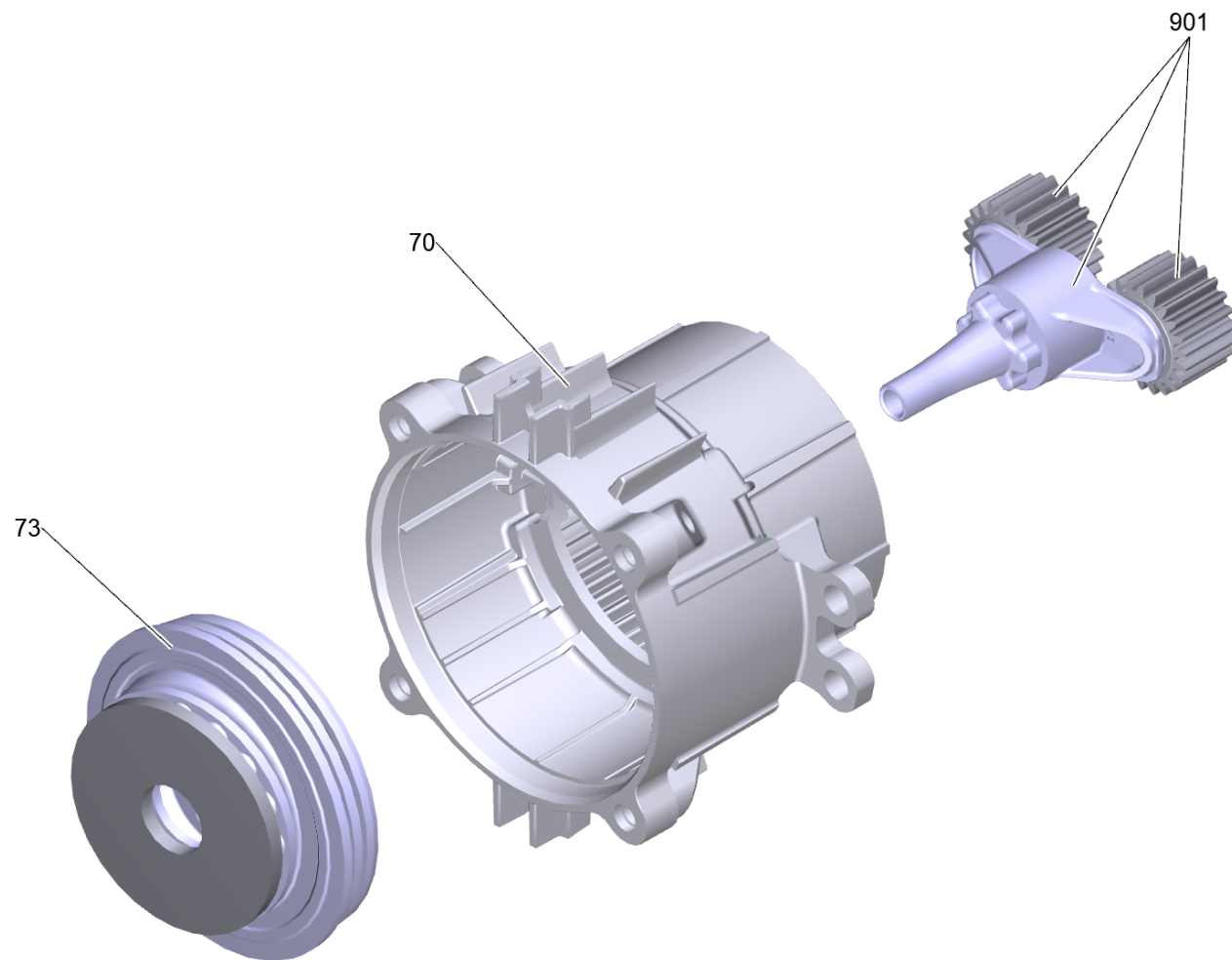
POS	Article no.	Description	Quantity	Unit
1		Pump set RVu K3*EU (0,8kW-QC)INA	1	PC
2	9.086-221.0	Screw ATF 4.1x22	6	PC
3		Switch with axle RV	1	PC
4	9.755-468.0	Motor housing pair RV	1	PC
6	2.885-475.0	Spare parts set strain relief with cable	1	PC



1 Pump set RVu K3\*EU (0,8kW-QC)INA

POS	Article no.	Description	Quantity	Unit
100	4.100-622.0	Motor only for replacement	1	PC
101	6.363-657.0	O-Ring seal 50x2.35 NBR 70	1	PC
102	6.303-260.0	Screw 5x26,4	4	PC
103		Gear complete 6°12'4,02 RV upr. (INA)	1	PC
109	6.303-519.0	Screw M5x25-10.9-A2E (IN6RD/T25)	4	PC
901	4.063-913.0	Suction cover for replacement with SV5 (	1	PC
902	4.064-047.0	High-pressure outlet with clamp for repl	1	PC
903	4.551-144.0	Cylinder head for replacement (981) RV	1	PC
904	2.100-023.0	Special tool motor K2	1	PC
	<b>Item text1:</b> Pay attention to Assembly instruction!			
	<b>Item text2:</b> Montageanleitung beachten!			

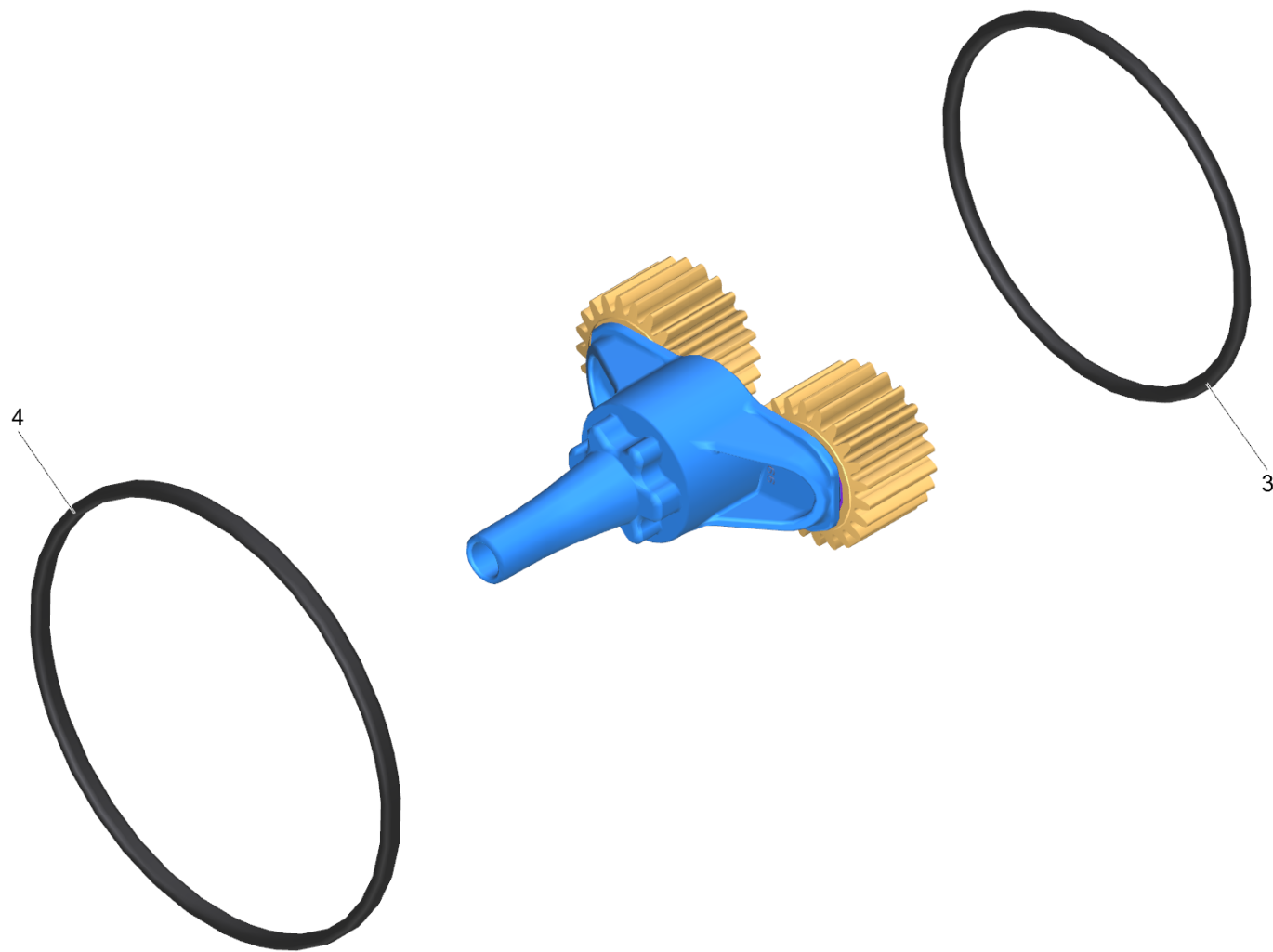




103 Gear complete 6°12'4,02 RV upr. (INA)

---

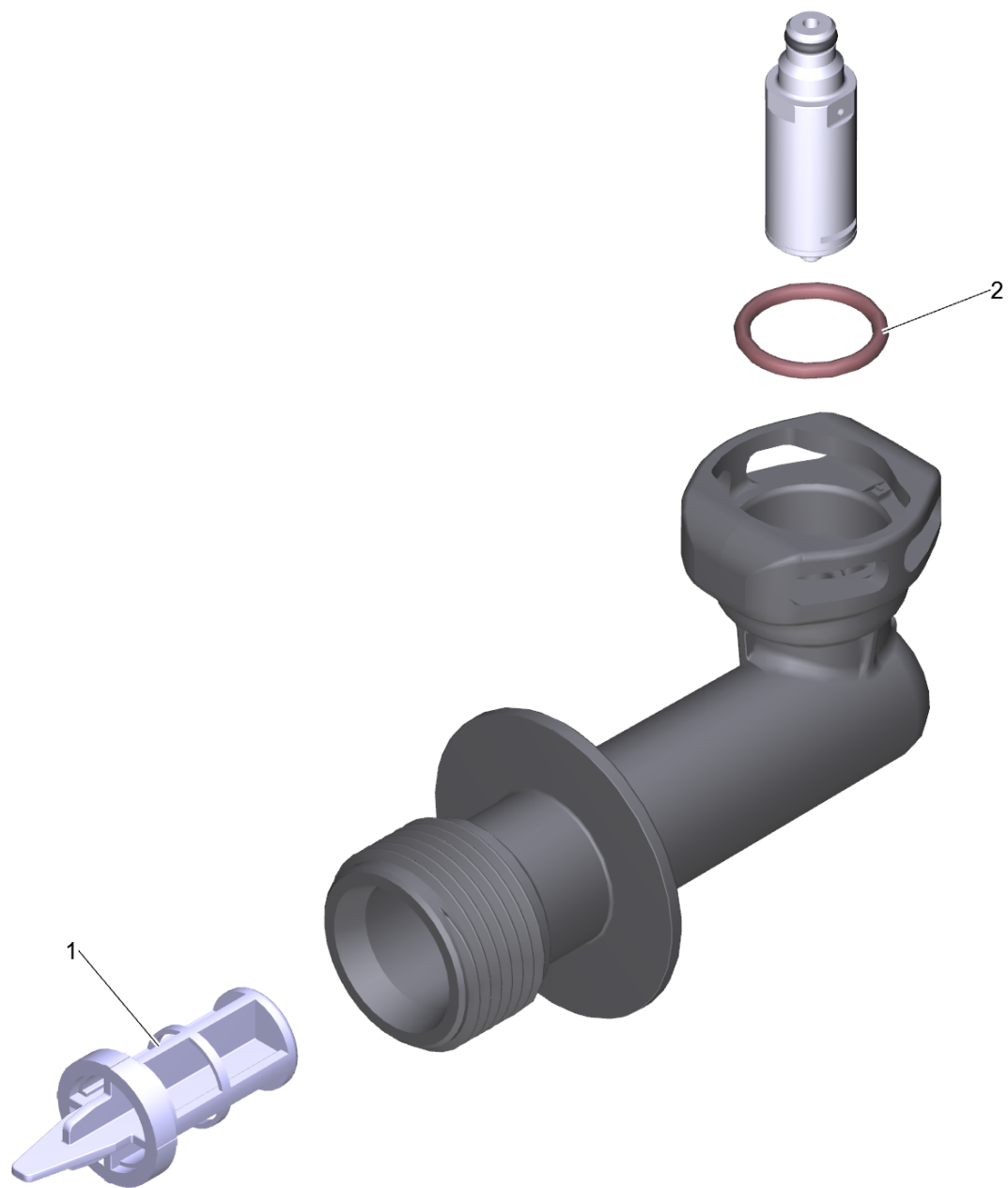
<b>POS</b>	<b>Article no.</b>	<b>Description</b>	<b>Quantity</b>	<b>Unit</b>
70	5.062-124.3	Housing gear RV	1	PC
73	4.120-228.0	Wobble plate complete 5-parts 6°12'4,02ex	1	PC
901	4.100-662.0	Spare part set planet wheel	1	PC



901 Spare part set planet wheel (4.100-662.0)

---

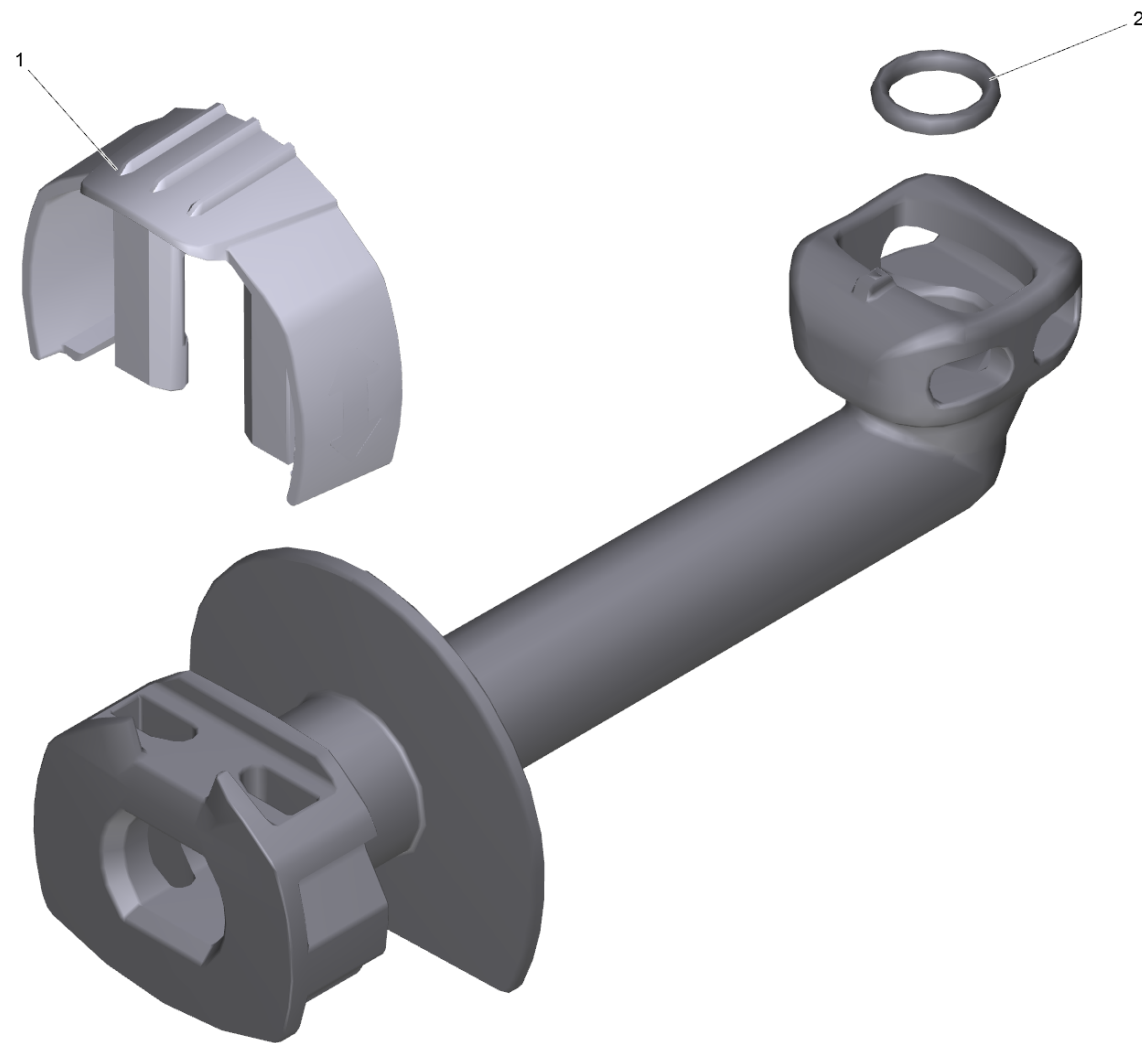
<b>POS</b>	<b>Article no.</b>	<b>Description</b>	<b>Quantity</b>	<b>Unit</b>
3	6.363-657.0	O-Ring seal 50x2.35 NBR 70	1	PC
4	6.362-826.0	O-Ring seal 61,6x2,62	1	PC



901 Suction cover for replacement with SV5 ( 4.063-913.0)

---

<b>POS</b>	<b>Article no.</b>	<b>Description</b>	<b>Quantity</b>	<b>Unit</b>
1	5.731-004.0	Fine filter short (2015/17)	1	PC
2	6.362-427.0	O-Ring seal 15,0x2,0	1	PC



902 High-pressure outlet with clamp for repl (4.064-047.0)

---

<b>POS</b>	<b>Article no.</b>	<b>Description</b>	<b>Quantity</b>	<b>Unit</b>
1	5.037-463.0	Clamp for high-pressure outlet	1	PC
2	6.362-113.0	O-Ring seal 6,0 x 2,0 NBR 70	1	PC

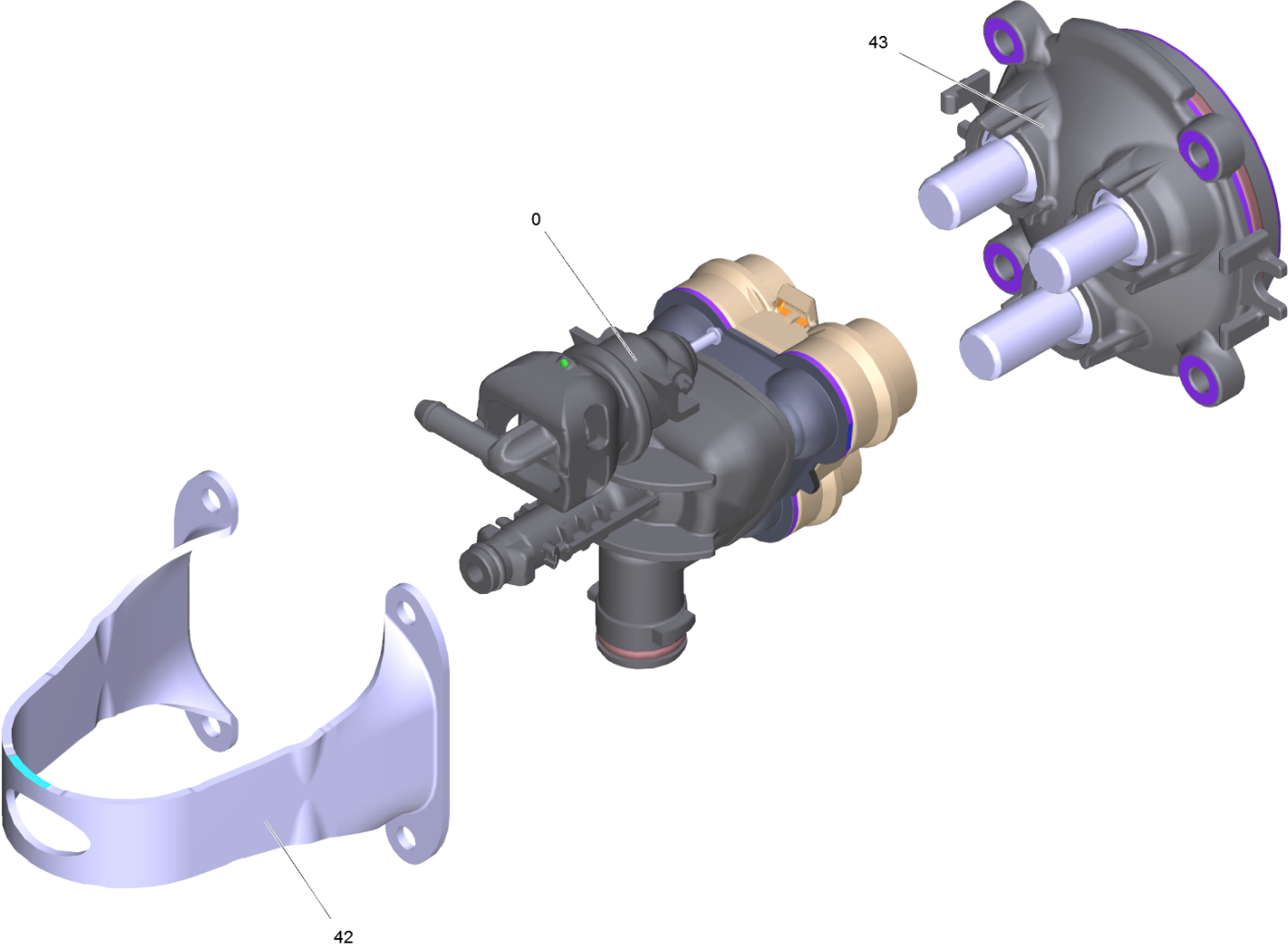


903 Cylinder head for replacement (981) RV (4.551-144.0)

---

POS	Description	Quantity	Unit
1	Cylinder head complete RV K2.0X	1	PC

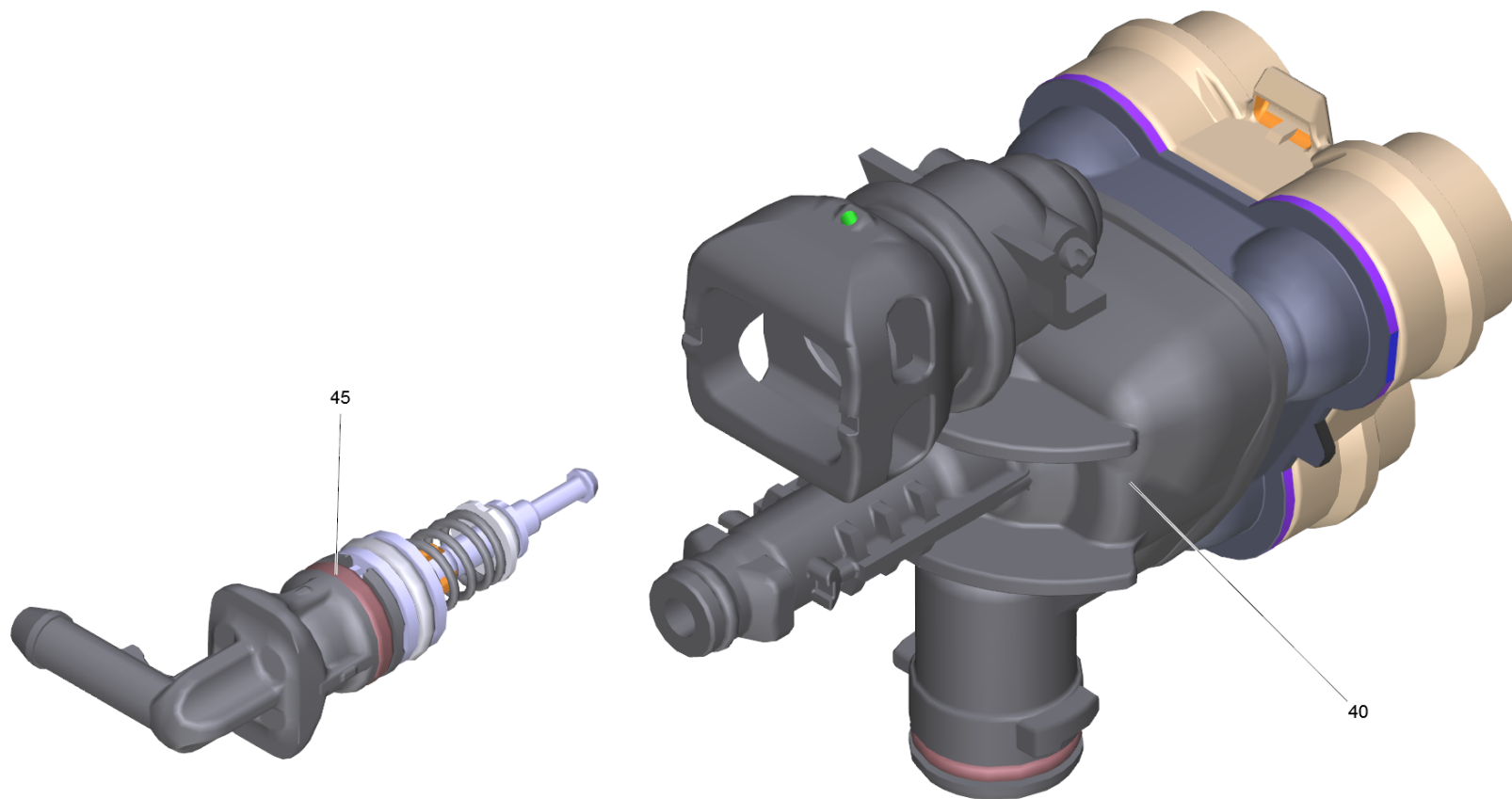
---



## 1 Cylinder head complete RV K2.0X

---

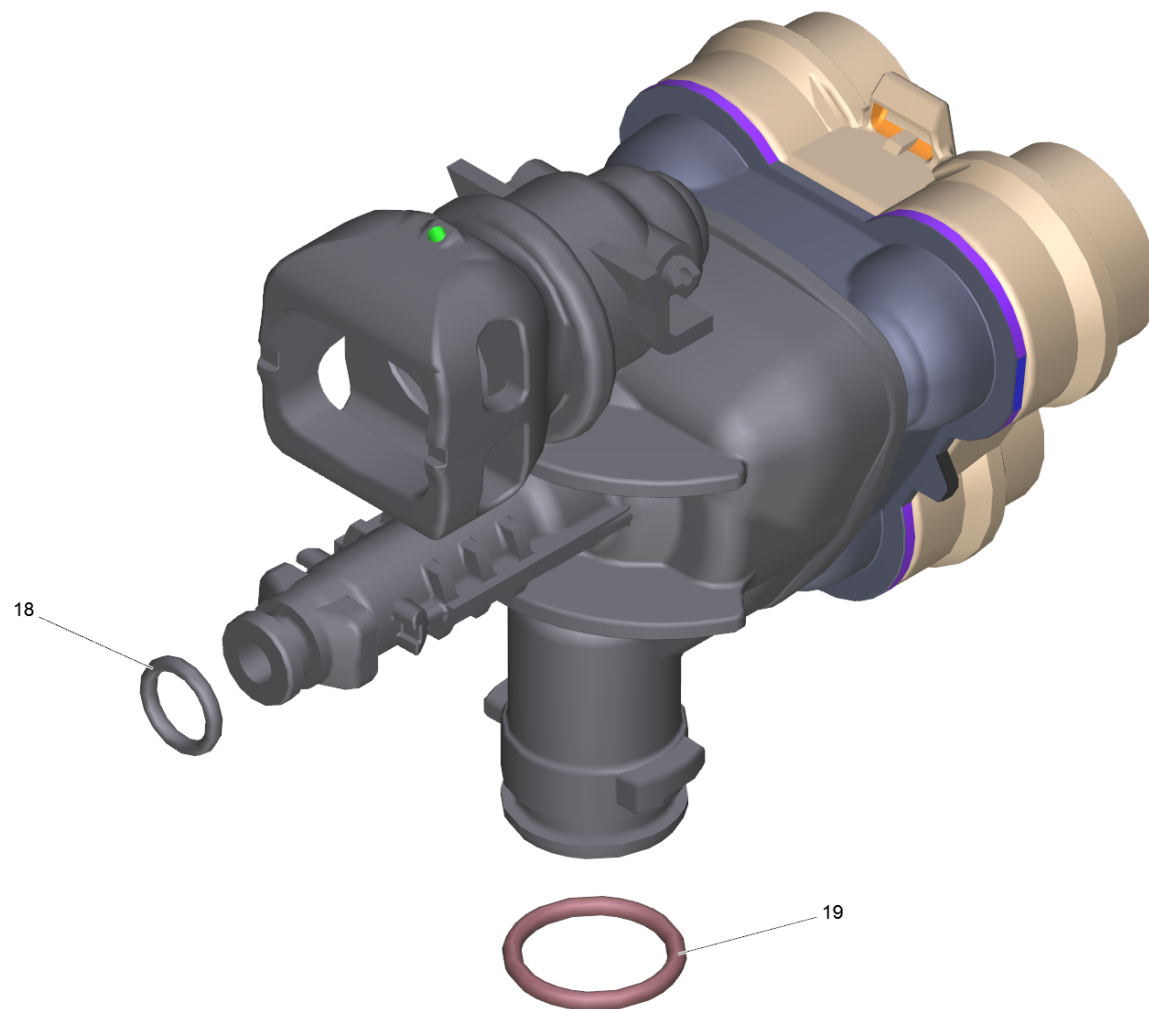
<b>POS</b>	<b>Article no.</b>	<b>Description</b>	<b>Quantity</b>	<b>Unit</b>
0	4.551-159.3	Cylinder head only for replacement	1	PC
42	5.051-384.0	Sheet metal component 4-fach	1	PC
43		Thrust guidance complete quadruple	1	PC



Cylinder head only for replacement (4.551-159.3)

---

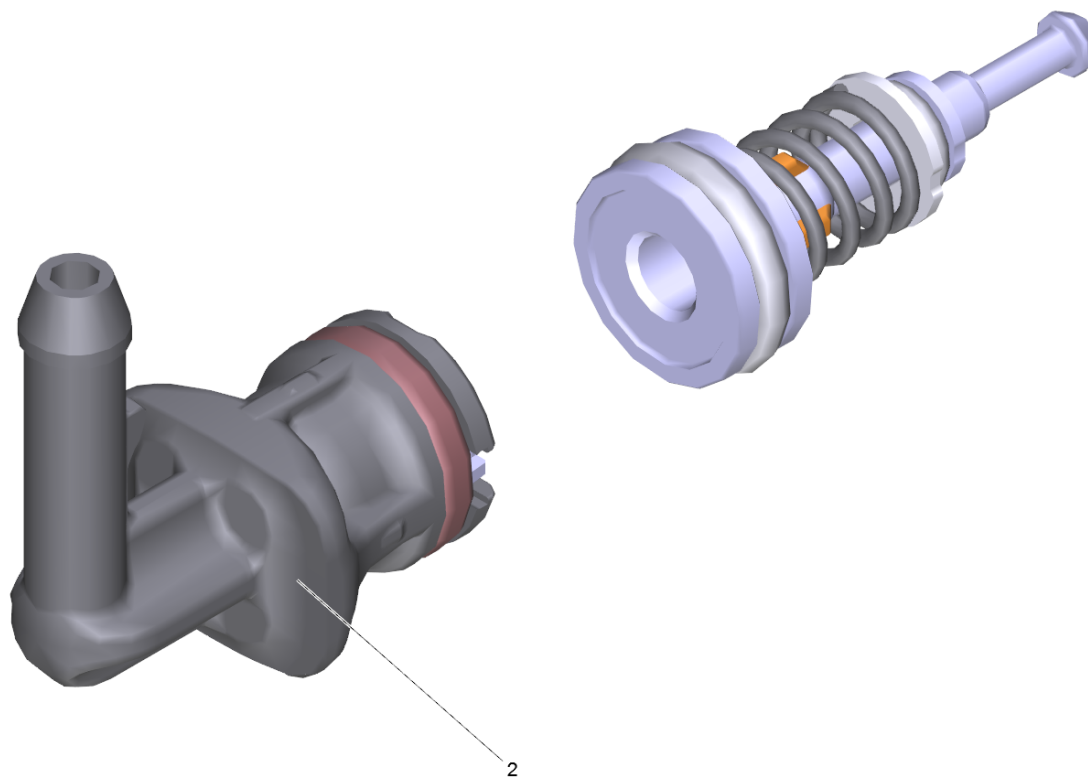
<b>POS</b>	<b>Article no.</b>	<b>Description</b>	<b>Quantity</b>	<b>Unit</b>
40		Cylinder head RV K2.0X	1	PC
45	2.885-397.0	Spare parts set control piston with nipp	1	PC



40 Cylinder head RV K2.0X

---

<b>POS</b>	<b>Article no.</b>	<b>Description</b>	<b>Quantity</b>	<b>Unit</b>
18	6.362-113.0	O-Ring seal 6,0 x 2,0 NBR 70	1	PC
19	6.362-427.0	O-Ring seal 15,0x2,0	1	PC

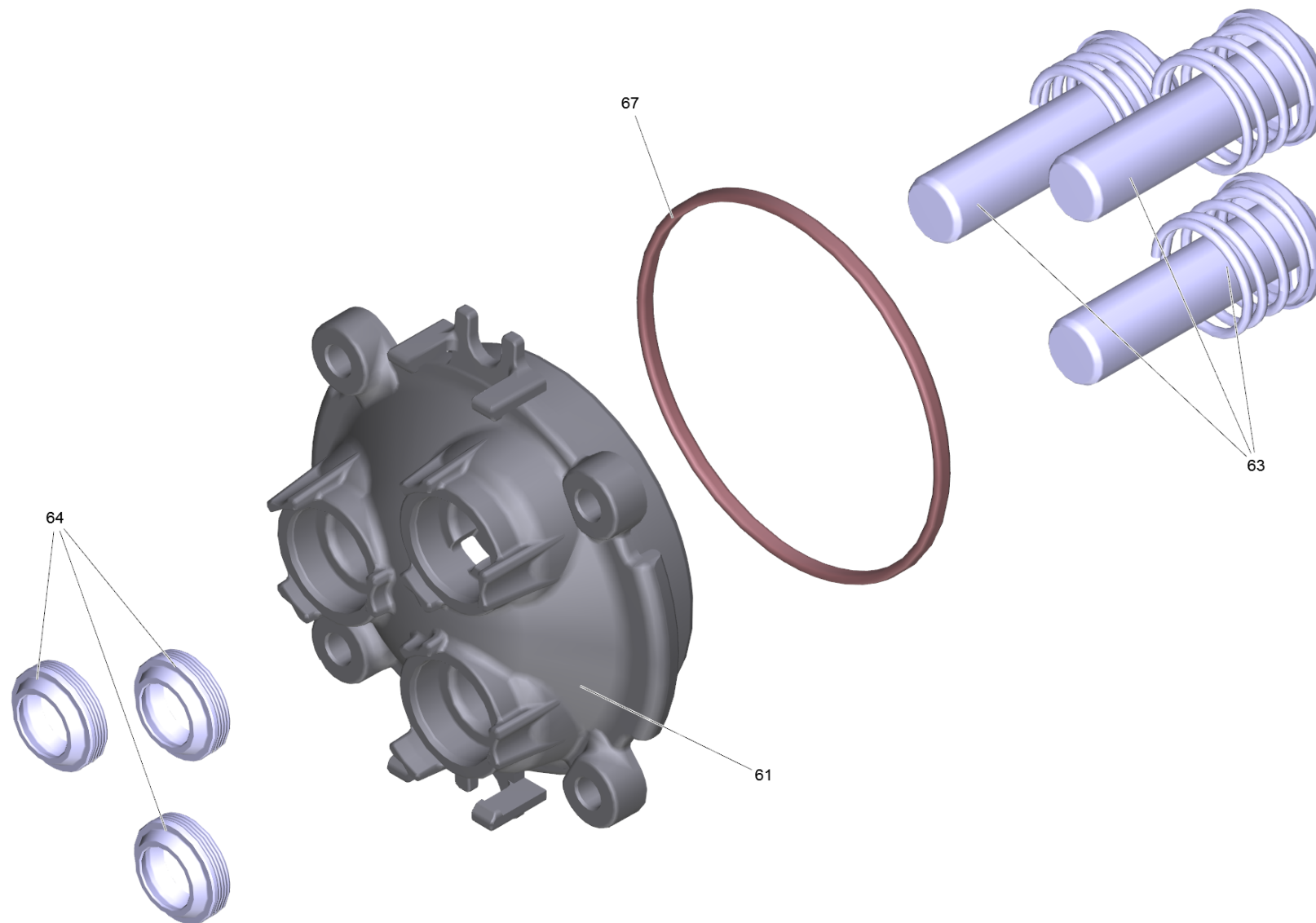




45 Spare parts set control piston with nipp (2.885-397.0)

---

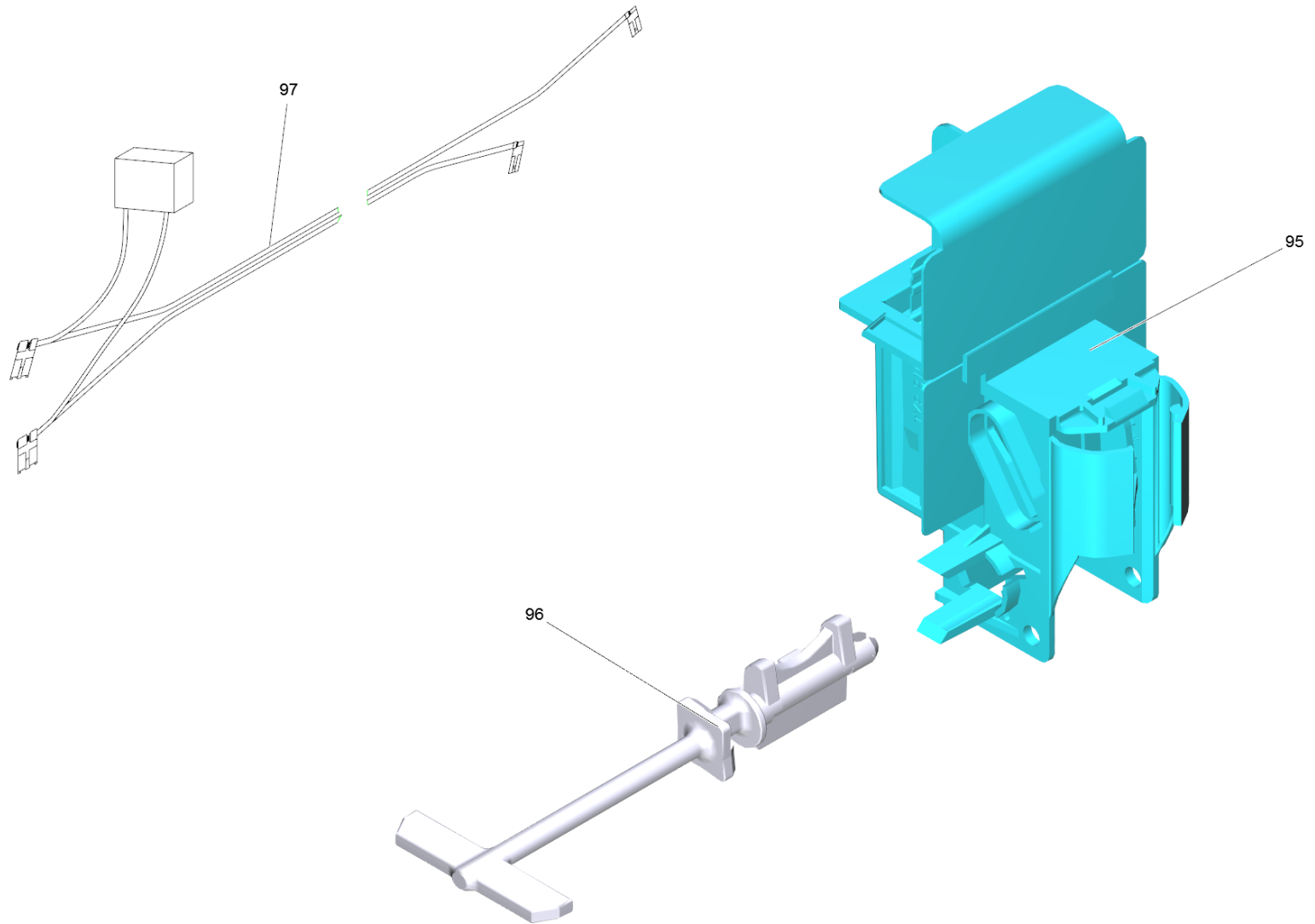
<b>POS</b>	<b>Article no.</b>	<b>Description</b>	<b>Quantity</b>	<b>Unit</b>
2	2.885-396.0	Spare parts set nipple chemistry RV	1	PC
900	6.288-088.0	Grease Molikote 55 M	1	PC



## 43 Thrust guidance complete quadruple

---

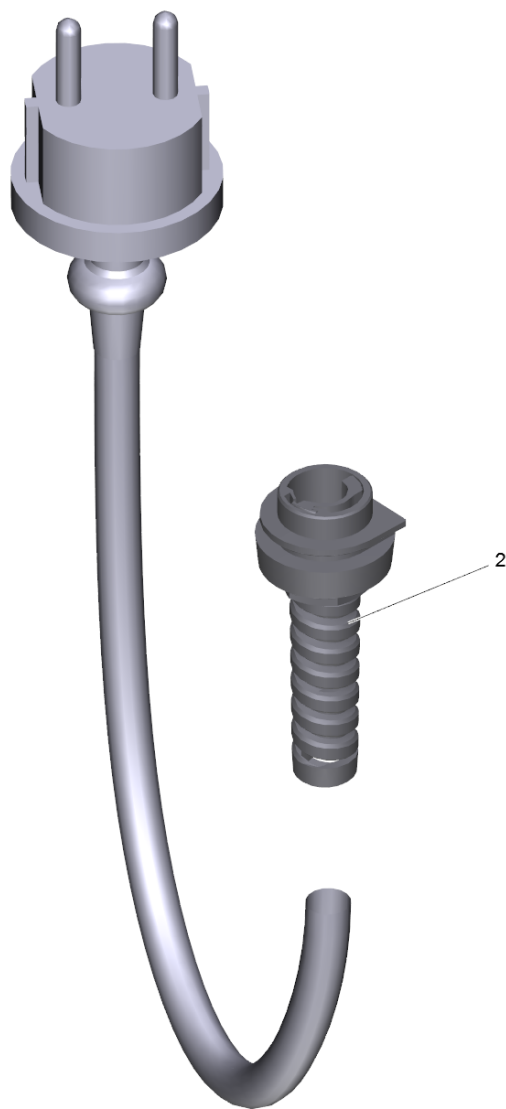
POS	Article no.	Description	Quantity	Unit
61	5.062-412.0	Thrust guidance V2 R V	1	PC
63	2.885-398.0	Spare parts set piston with spring RV	3	PC
64	6.365-581.0	Grooved ring 12x18x4/6 NBR 75 Shore A	3	PC
67	6.362-826.0	O-Ring seal 61,6x2,62	1	PC



### 3 Switch with axle RV

---

<b>POS</b>	<b>Article no.</b>	<b>Description</b>	<b>Quantity</b>	<b>Unit</b>
95	6.630-768.0	Switch replacement + UL/CSA RV	1	PC
96	5.105-659.0	Axle UZS 75.5mm	1	PC
97	6.648-389.3	Cable with capacitor 220nF (225/280mm)	1	PC

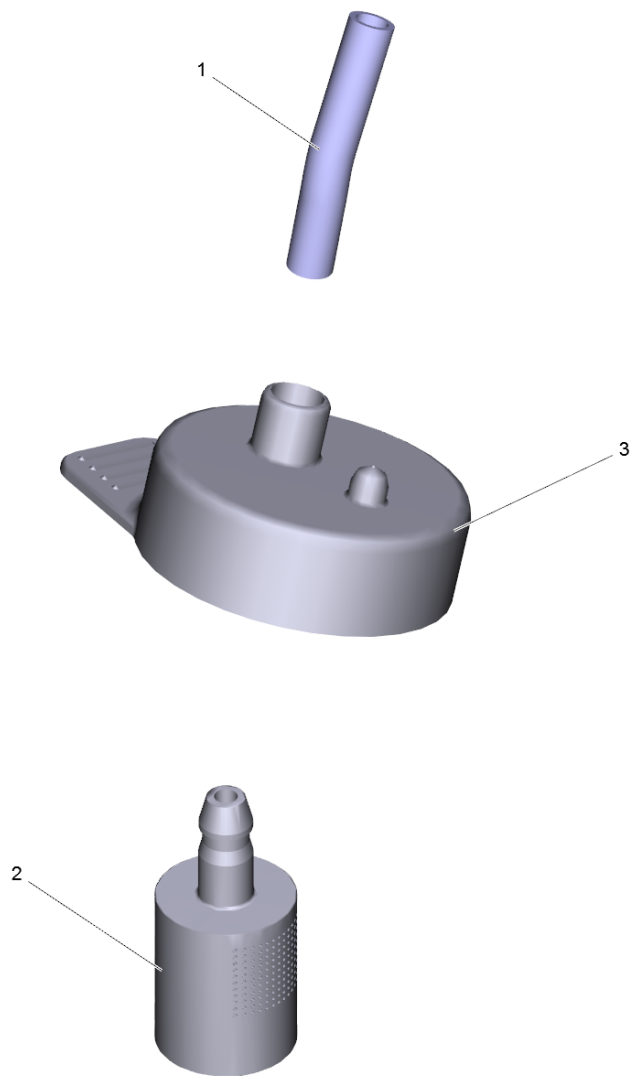


6 Spare parts set strain relief with cable (2.885-475.0)

---

<b>POS</b>	<b>Article no.</b>	<b>Description</b>	<b>Quantity</b>	<b>Unit</b>
2	9.760-372.0	strain relief	1	PC

---

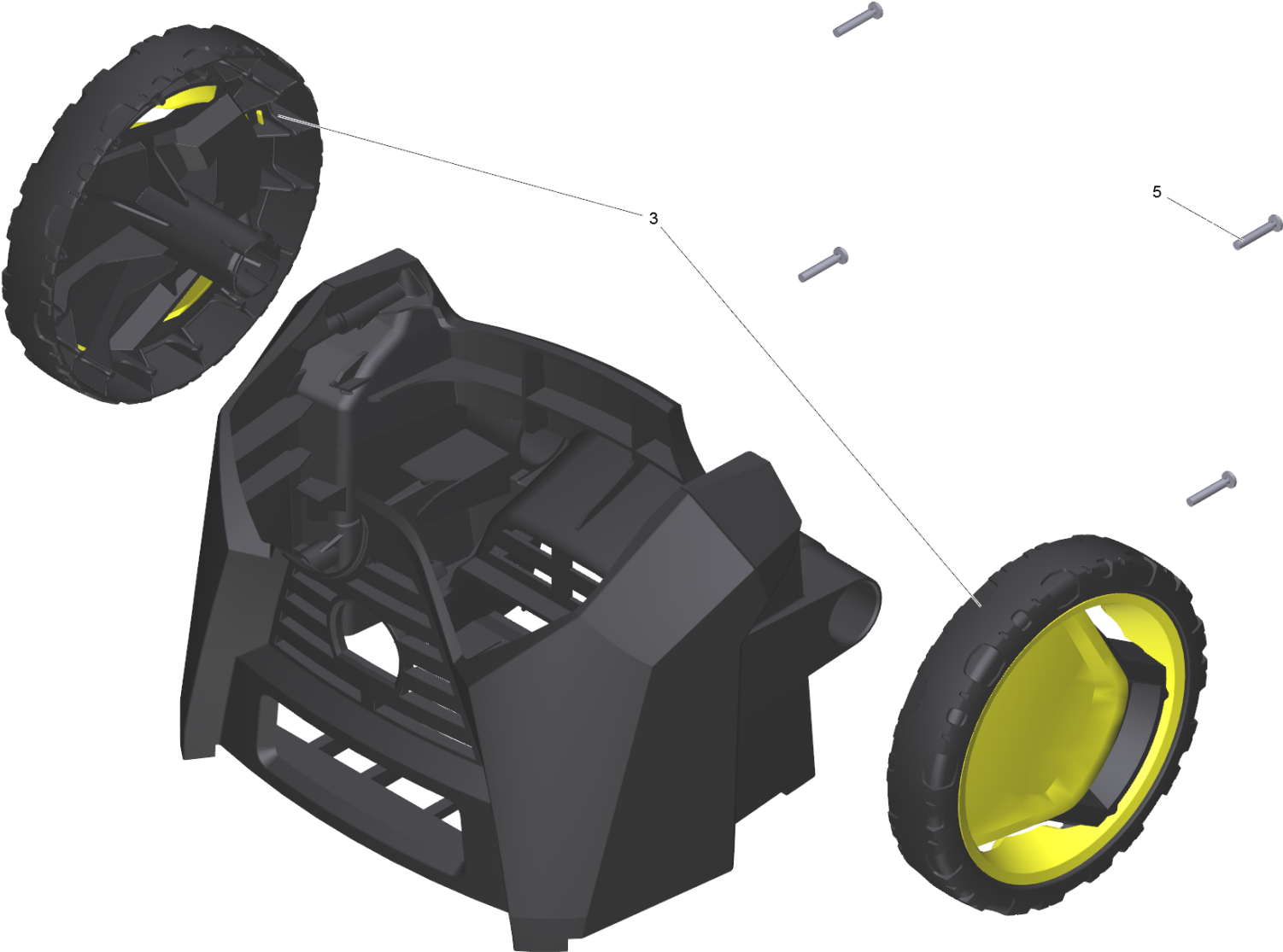




## 119 Hose cleaning agents complete K2 FAMILY

---

<b>POS</b>	<b>Article no.</b>	<b>Description</b>	<b>Quantity</b>	<b>Unit</b>
1	6.388-216.0	Hose DN 5	0,52	m
2	5.731-652.0	Filter with weight	1	PC
3	9.760-653.0	Cover tank cleaning agents	1	PC



901 Bumper with wheel replacement MR (QC) (9.755-601.0)

---

<b>POS</b>	<b>Article no.</b>	<b>Description</b>	<b>Quantity</b>	<b>Unit</b>
3	5.515-397.3	Wheel only for replacement	2	PC
5	9.086-221.0	Screw ATF 4.1x22	4	PC