

Spare parts list

(1.645-104.0) SDP 18000 LEVEL SENSOR*EU-I

Table of contents

SDP 18000 LEVEL SENSOR*EU-I (1.645-104.0)	3
Spare parts list SDP 18000 (5.970-639.0)	4
10 Individual parts	5
11 Individual parts	6
1 Connection for suction hose 1 1/4" (6.997-418.0)	8
4 Screw with O-Ring seal f.Ersatz (4.645-061.0)	10
12 Individual parts	12
1 Connection for suction hose 1 1/4" (6.997-418.0)	14
4 Screw with O-Ring seal f.Ersatz (4.645-061.0)	16

SDP 18000 LEVEL SENSOR*EU-I (1.645-104.0)

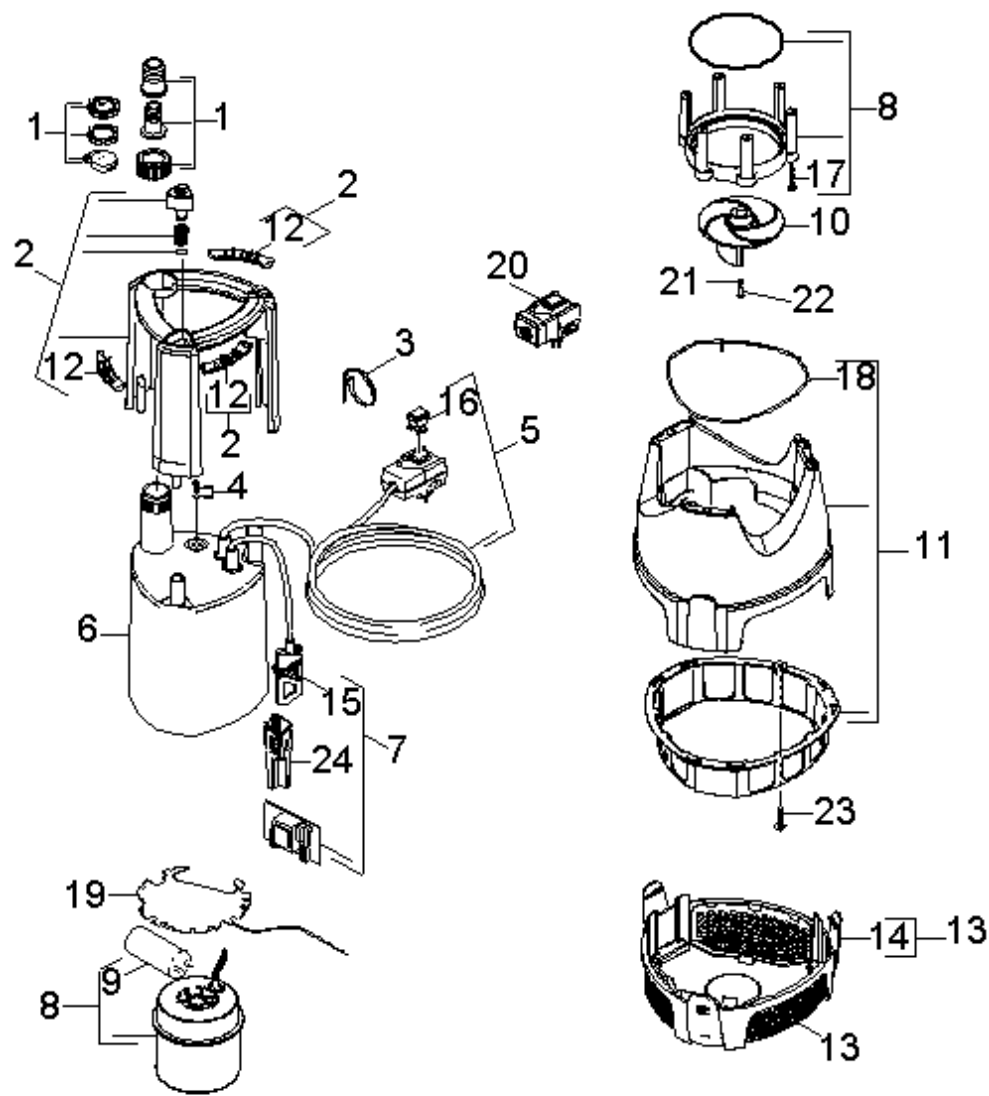
POS	Article no.	Description	Quantity	Unit
0	5.970-639.0	Spare parts list SDP 18000	1.000	ST

Spare parts list SDP 18000 (5.970-639.0)

POS	Description	Quantity	Unit
10	Individual parts	1.000	ST

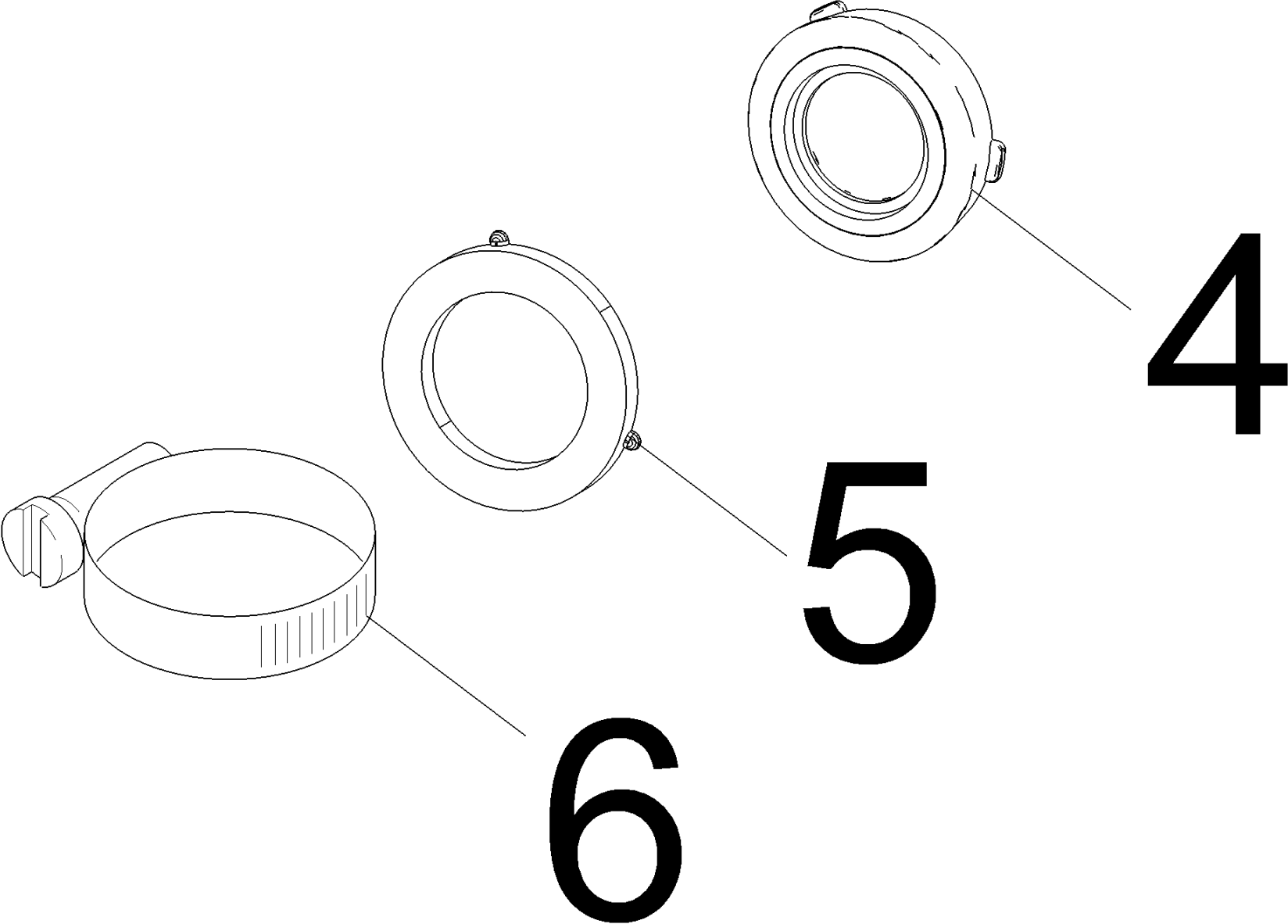
10 Individual parts

POS	Description	Quantity	Unit	Serial number from	Serial number to
12	Individual parts	1.000	ST	300001	
11	Individual parts	1.000	ST		300000



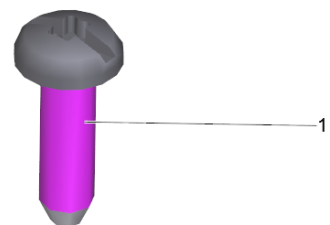
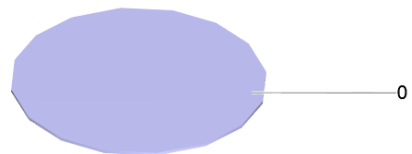
11 Individual parts

POS	Article no.	Description	Quantity	Unit	Remark
5	4.645-369.0	Cable for replacement *CH SxP best	1.000	ST	/*CH
5	4.645-077.0	Cable with fixing f.Ersatz	1.000	ST	/*EU
5	4.645-089.0	Cable with fixing f.Ersatz *GB	1.000	ST	/*GB/*AU
20	4.645-366.0	Cable with plug *CH SxP best	1.000	ST	*CH
9	4.645-276.0	Capacitor for replacement 16µF	1.000	ST	
11	4.645-069.0	Chamber with covering cap f.Ersatz	1.000	ST	
14	5.645-025.0	Clamp /filter clamp	3.000	ST	
15	4.645-156.0	Clamp replacement /clamp sensor	1.000	ST	
1	6.997-418.0	Connection for suction hose 1 1/4"	1.000	ST	
12	4.645-021.0	Cover handhold complete / handle cap cpl	1.000	ST	
2	4.645-070.0	Handhold complete for replacement	1.000	ST	
24	5.645-421.0	Housing Levelsensor	1.000	ST	
6	4.645-068.0	Housing neutrally for replacement	1.000	ST	
10	5.645-040.0	Impeller /impeller dirt best	1.000	ST	
8	4.645-076.0	Motor complete for replacement	1.000	ST	
23	6.645-543.0	Oval head screw 3,5x12-10.9-R2R	1.000	ST	
19	4.645-030.0	Plate complete / sheet metal earth w. wi	1.000	ST	
13	6.997-353.0	Prefilter immersion pumps Better	1.000	ST	
17	6.303-496.0	Screw 3,5x30	6.000	ST	
22	9.086-207.0	Screw M5x10 A2	1.000	ST	
4	4.645-061.0	Screw with O-Ring seal f.Ersatz	1.000	ST	
18	5.645-592.0	Seal SxP better/best	1.000	ST	
7	4.645-253.0	Sensor for replacement	1.000	ST	
3	6.375-479.0	Strap /Velcro-Strap	1.000	ST	
16	4.645-157.0	Switch replacement /switch	1.000	ST	
21	9.086-023.0	Toothed lock washer Ø5 A2	1.000	ST	



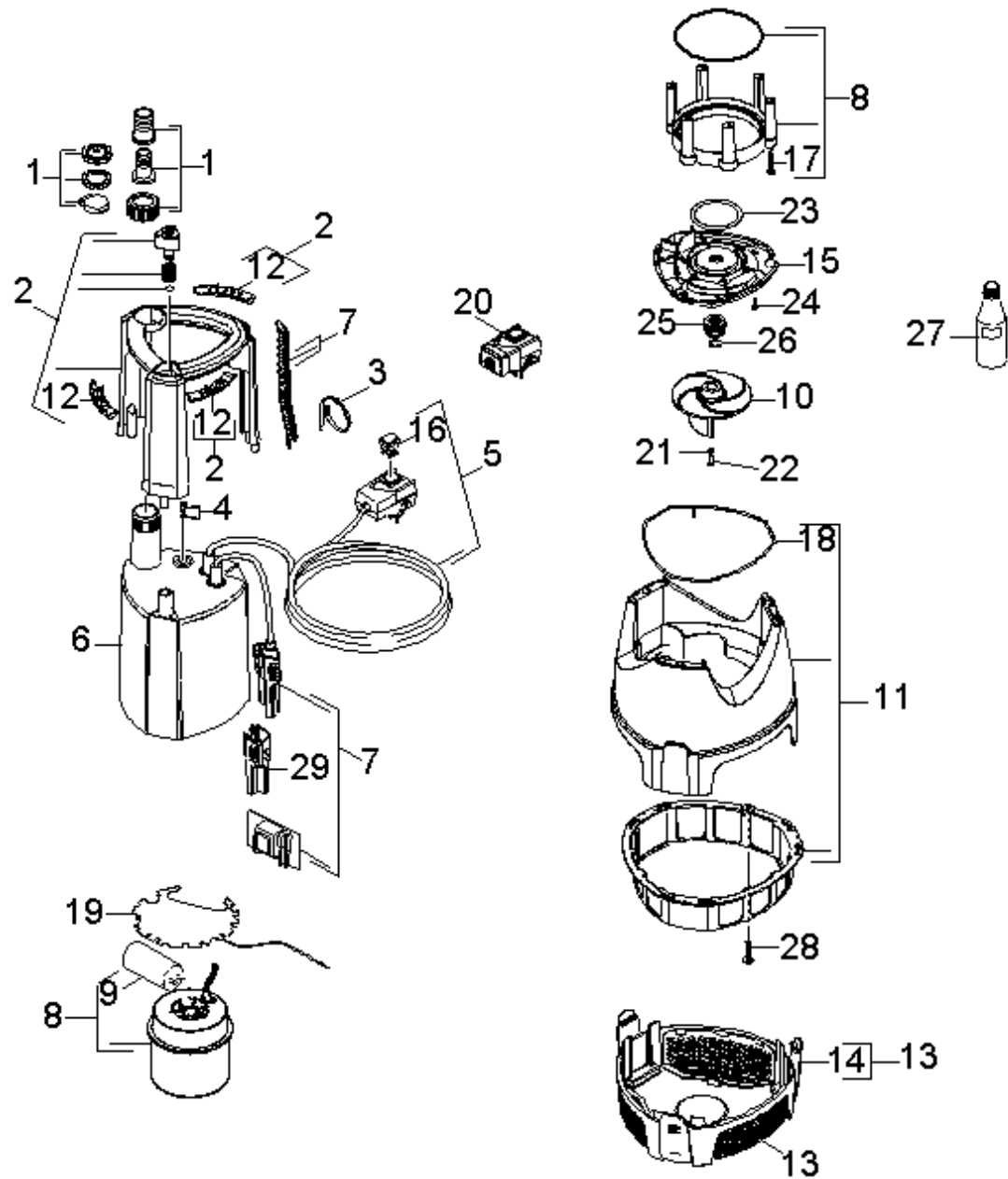
1 Connection for suction hose 1 1/4" (6.997-418.0)

POS	Article no.	Description	Quantity	Unit
4	6.645-323.0	Check valve 1 1/4" /non return valve	1.000	ST
6	6.390-703.0	Hose clip	1.000	ST
5	6.645-161.0	Seal / flat gasket large	1.000	ST



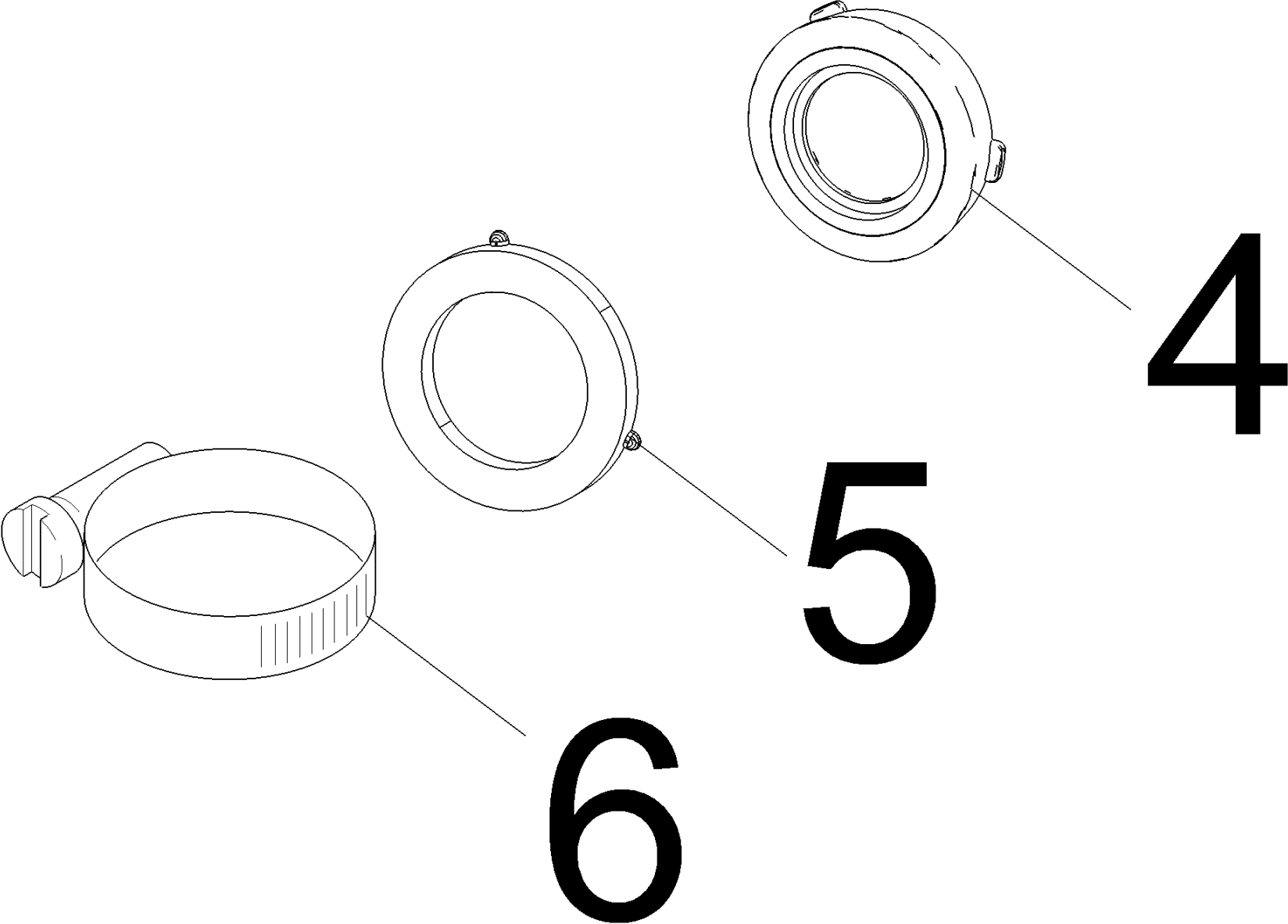
4 Screw with O-Ring seal f.Ersatz (4.645-061.0)

POS	Article no.	Description	Quantity	Unit
0		Label / label	1.000	ST
2	7.362-502.0	O-Ring seal 2,8x1,6-NBR 70 DIN 3770	1.000	ST
1	6.645-543.0	Oval head screw 3,5x12-10.9-R2R	1.000	ST



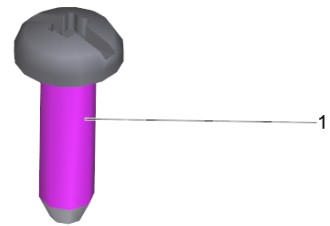
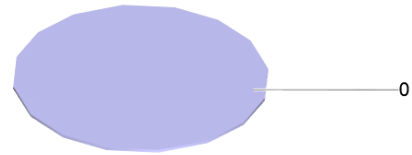
12 Individual parts

POS	Article no.	Description	Quantity	Unit	Remark
5	4.645-369.0	Cable for replacement *CH SxP best	1.000	ST	/*CH
5	4.645-077.0	Cable with fixing f.Ersatz	1.000	ST	/*EU
5	4.645-089.0	Cable with fixing f.Ersatz *GB	1.000	ST	/*GB/*AU
20	4.645-366.0	Cable with plug *CH SxP best	1.000	ST	*CH
9	6.645-450.0	Capacitor 12µF P2	1.000	ST	
11	4.645-312.0	Chamber for replacement /dirt	1.000	ST	
14	5.645-025.0	Clamp /filter clamp	3.000	ST	
1	6.997-418.0	Connection for suction hose 1 1/4"	1.000	ST	
12	4.645-021.0	Cover handhold complete / handle cap cpl	1.000	ST	
25	6.645-421.0	Floating ring seal	1.000	ST	
2	4.645-070.0	Handhold complete for replacement	1.000	ST	
29	5.645-421.0	Housing Levelsensor	1.000	ST	
6	4.645-068.0	Housing neutrally for replacement	1.000	ST	
10	5.645-412.0	Impeller /impeller dirt better	1.000	ST	
15	5.645-411.0	Intermediate layer /separating plate	1.000	ST	
8	4.645-309.0	Motor for replacement	1.000	ST	
26	6.362-151.0	O-Ring d. 10 x 2 NBR 70	1.000	ST	
23	9.080-479.0	O-Ring seal 52x4 NBR 50	1.000	ST	
27	6.295-578.0	Oil 20 ml	1.000	ST	
28	6.645-543.0	Oval head screw 3,5x12-10.9-R2R	1.000	ST	
19	4.645-030.0	Plate complete / sheet metal earth w. wi	1.000	ST	
13	6.997-353.0	Prefilter immersion pumps Better	1.000	ST	
17	6.303-496.0	Screw 3,5x30	6.000	ST	
24	9.086-217.0	Screw 4,2X13 INOX	6.000	ST	
22	9.086-207.0	Screw M5x10 A2	1.000	ST	
4	4.645-061.0	Screw with O-Ring seal f.Ersatz	1.000	ST	
18	5.645-592.0	Seal SxP better/best	1.000	ST	
7	4.645-253.0	Sensor for replacement	1.000	ST	
3	6.375-479.0	Strap /Velcro-Strap	1.000	ST	
16	4.645-157.0	Switch replacement /switch	1.000	ST	
21	9.086-023.0	Toothed lock washer Ø5 A2	1.000	ST	



1 Connection for suction hose 1 1/4" (6.997-418.0)

POS	Article no.	Description	Quantity	Unit
4	6.645-323.0	Check valve 1 1/4" /non return valve	1.000	ST
6	6.390-703.0	Hose clip	1.000	ST
5	6.645-161.0	Seal / flat gasket large	1.000	ST



4 Screw with O-Ring seal f.Ersatz (4.645-061.0)

POS	Article no.	Description	Quantity	Unit
0		Label / label	1.000	ST
2	7.362-502.0	O-Ring seal 2,8x1,6-NBR 70 DIN 3770	1.000	ST
1	6.645-543.0	Oval head screw 3,5x12-10.9-R2R	1.000	ST