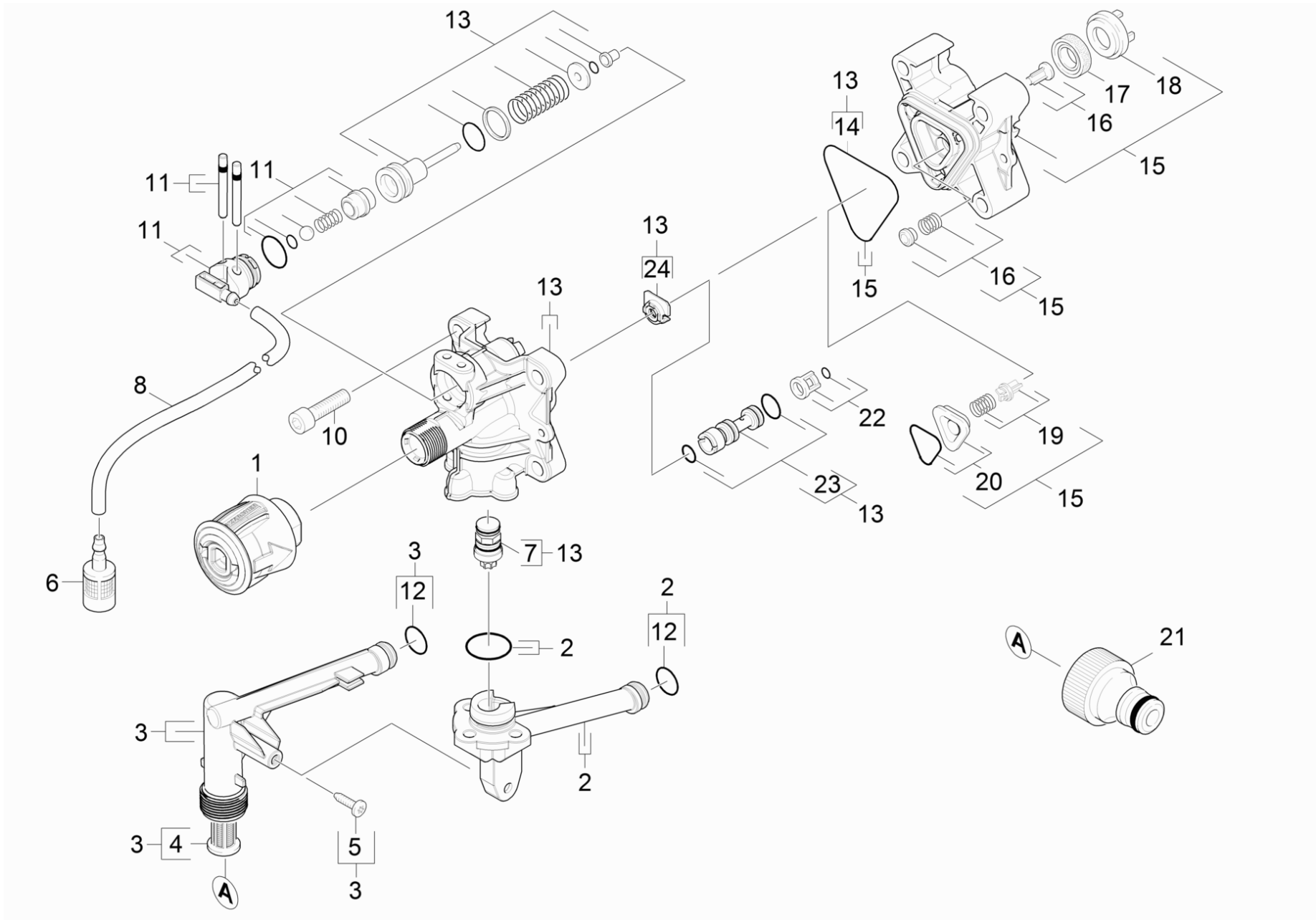


21 Housing

Home and Garden \ High pressure cleaner cold water \ Electric motor \ K 5 \ K 5 COMPACT *EU \ Spare parts list K5 Compact \ Pump set \ Housing



21 Housing

Home and Garden \ High pressure cleaner cold water \ Electric motor \ K 5 \ K 5 COMPACT *EU \ Spare parts list K5 Compact \ Pump set \ Housing

KÄRCHER

POS	Article no.	Description	Quantity	Unit	Foot note text
1	4.470-041.0	High pressure quick-fitting pipe union A	1.000	ST	
2	9.001-887.0	Connection K5	1.000	ST	
3	9.002-145.0	Inlet fitting K5 Comp B (spare)	1.000	ST	
4	5.731-598.0	Fine filter long	1.000	ST	
5	9.086-173.0	Screw Hi-Lo d.4x22 Torx-d.7,5	1.000	ST	
6	5.731-652.0	Filter with weight	1.000	ST	
7	9.002-164.0	plastic by pass (spare)	1.000	ST	
8	6.388-216.0	Hose DN 5	1.000	M	TO ORDER AS CUT GOODS
10	7.306-151.0	Cylinder head screw M8x65 -8.8-A2E ISO4	4.000	ST	
11	9.001-277.0	Spare parts set chemistry	1.000	ST	
12	9.080-455.0	Seal 10x2,8	2.000	ST	
13	9.001-800.0	Spare part set control head	1.000	ST	
14	9.081-424.0	Form seal	1.000	ST	
15	9.002-456.0	Pump head Alu FC ric	1.000	ST	
16	9.001-110.0	Moulded part complete	1.000	ST	
17	6.362-875.0	Grooved ring	3.000	ST	
18	9.038-428.0	Supportring 6,7 mm	3.000	ST	
19	9.001-275.0	Valve set	1.000	ST	
20	9.001-276.0	Joining piece	1.000	ST	
21	6.465-031.0	Connection 3/4	1.000	ST	
22	9.001-819.0	Cage complete	1.000	ST	
23	4.769-035.0	Nozzle insert	1.000	ST	
24	9.037-142.0	Distance holder	1.000	ST	