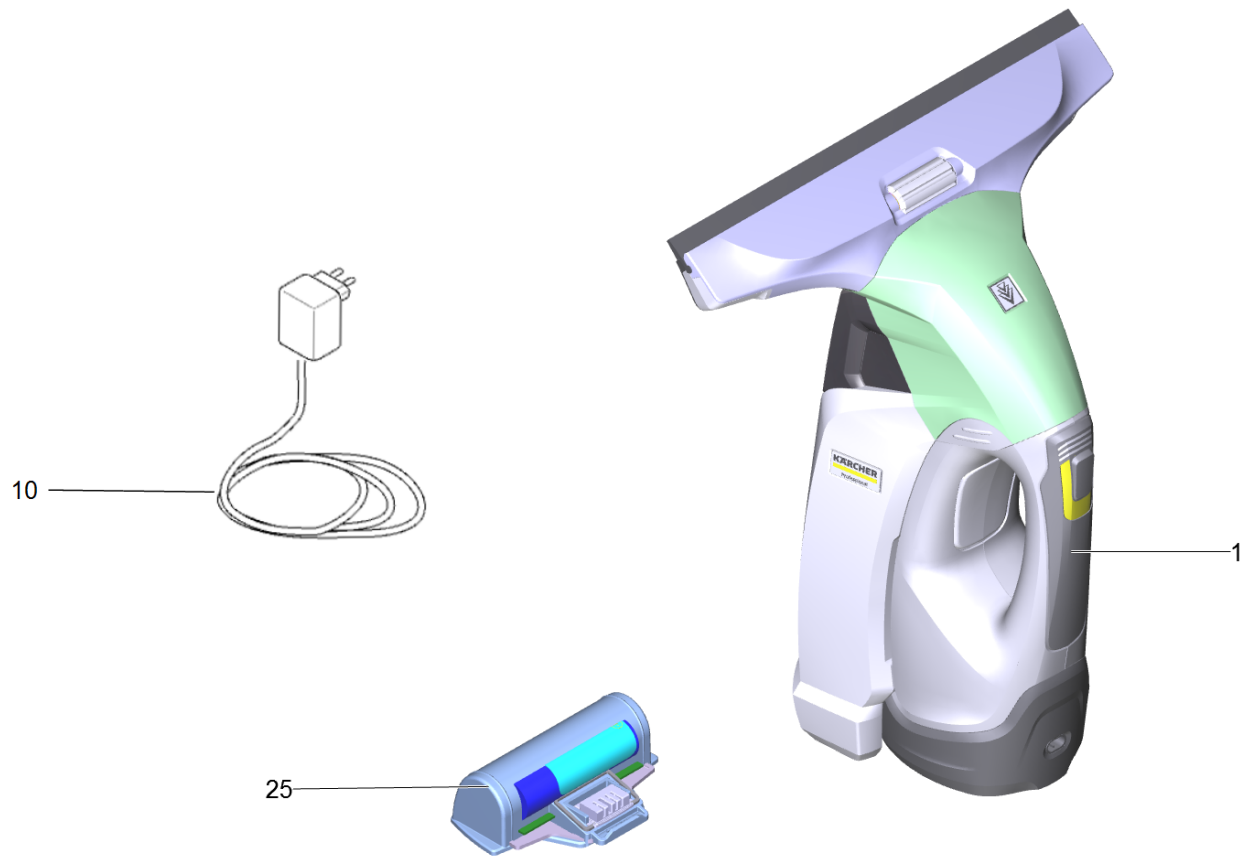


Spare parts list

(1.633-550.0) WVP 10 *EU

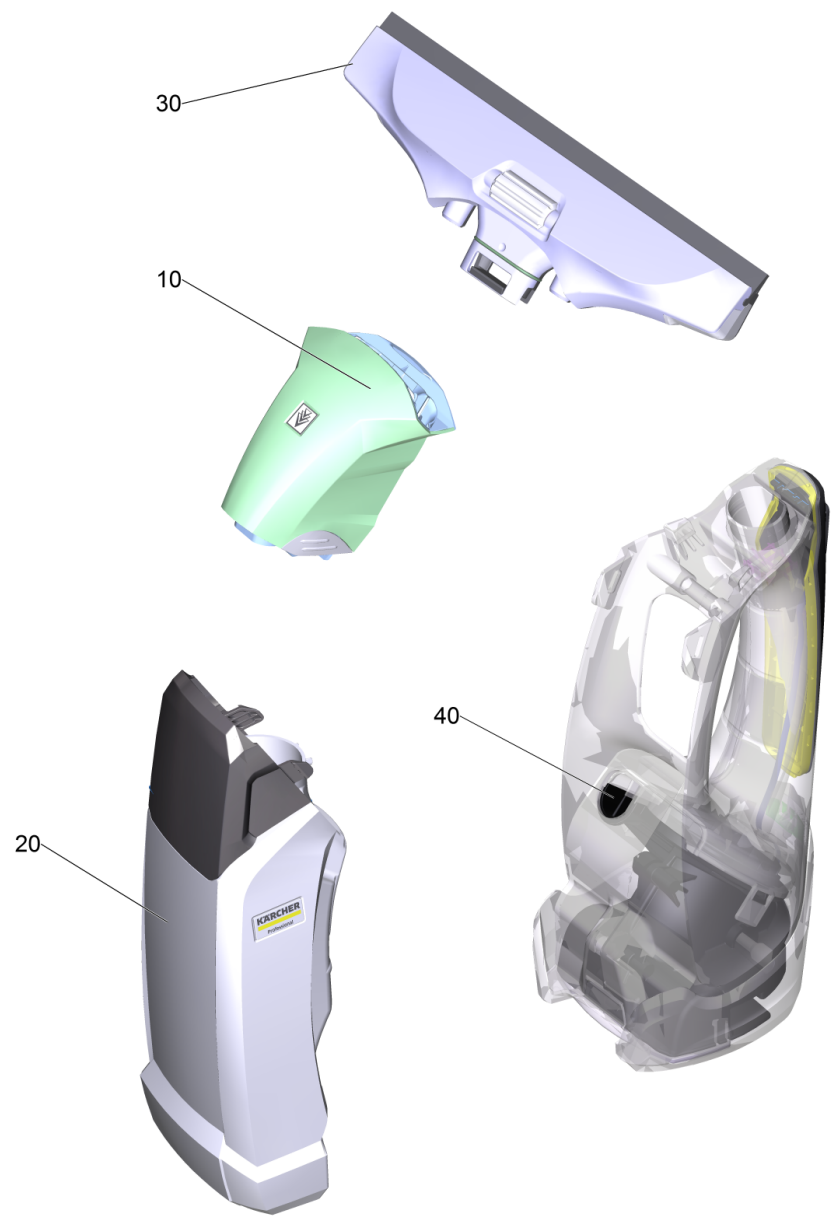
Table of contents

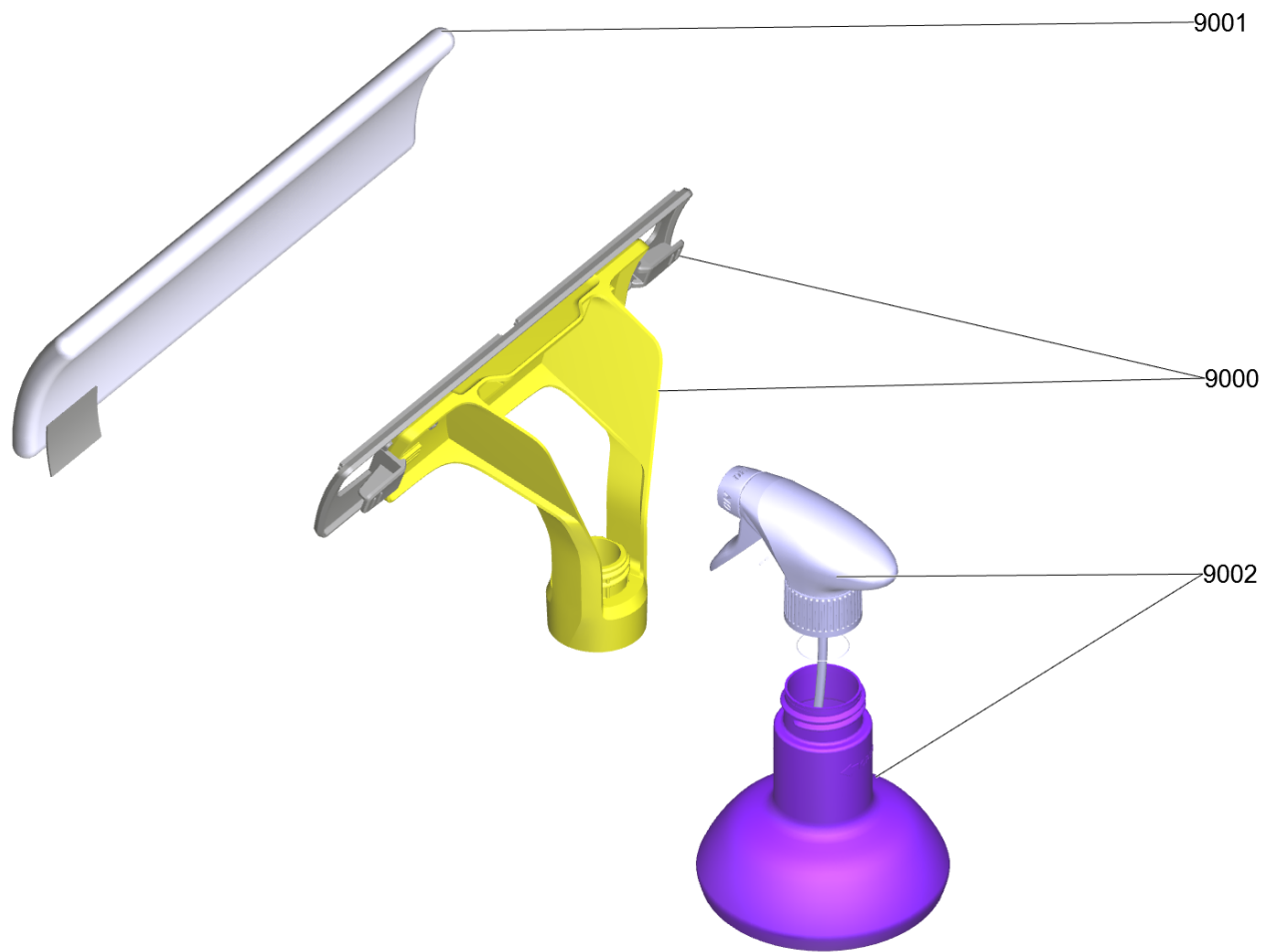
WVP 10 *EU (1.633-550.0)	3
1 Individual parts	5
20 Tank complete (9.013-532.3)	8
20 Intake water (9.013-531.3)	10
30 Nozzle complete grey (9.013-530.3)	12



WVP 10 *EU (1.633-550.0)

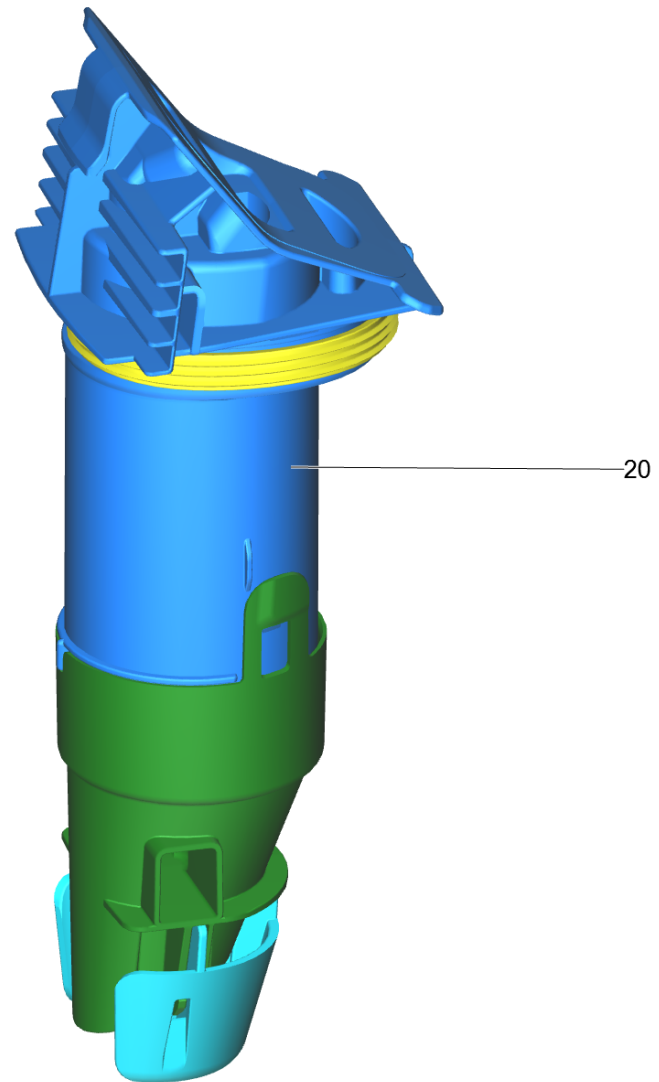
POS	Article no.	Description	Quantity	Unit
1		Individual parts	1.000	ST
25	2.633-123.0	Replaceable accumulator for WV 5	1.000	ST
10	2.633-107.0	WV & KV battery charger *EU	1.000	ST





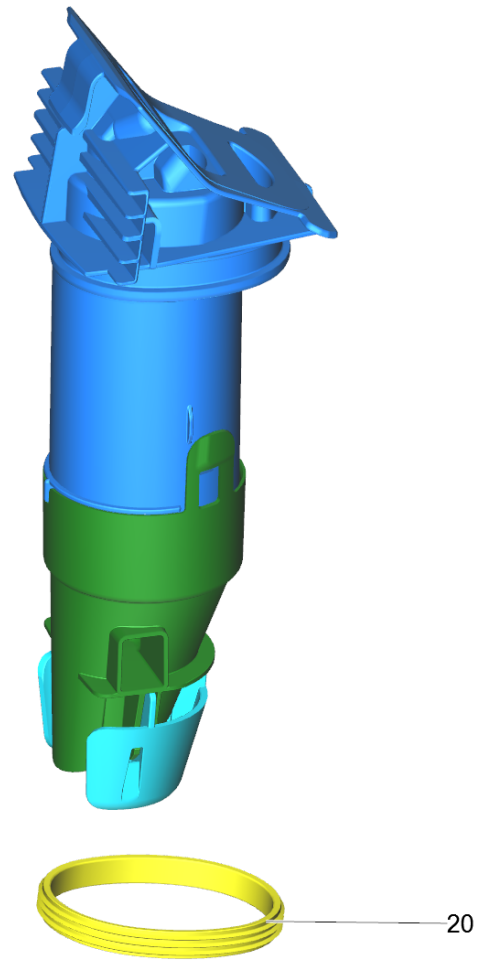
1 Individual parts

POS	Article no.	Description	Quantity	Unit
40	9.002-531.0	Enclosure completely IEC	1.000	ST
30	9.013-530.3	Nozzle complete grey	1.000	ST
9000	4.633-128.0	Pad holder complete premium	1.000	ST
10	9.013-529.3	Separator complete grey	1.000	ST
9002	4.633-153.0	Spray bottle round replacement	1.000	ST
20	9.013-532.3	Tank complete	1.000	ST
9001	2.633-130.0	WV microfibre wiper cover Indoor	1.000	ST
9001	2.633-131.0	WV microfibre wiper cover Outdoor	1.000	ST



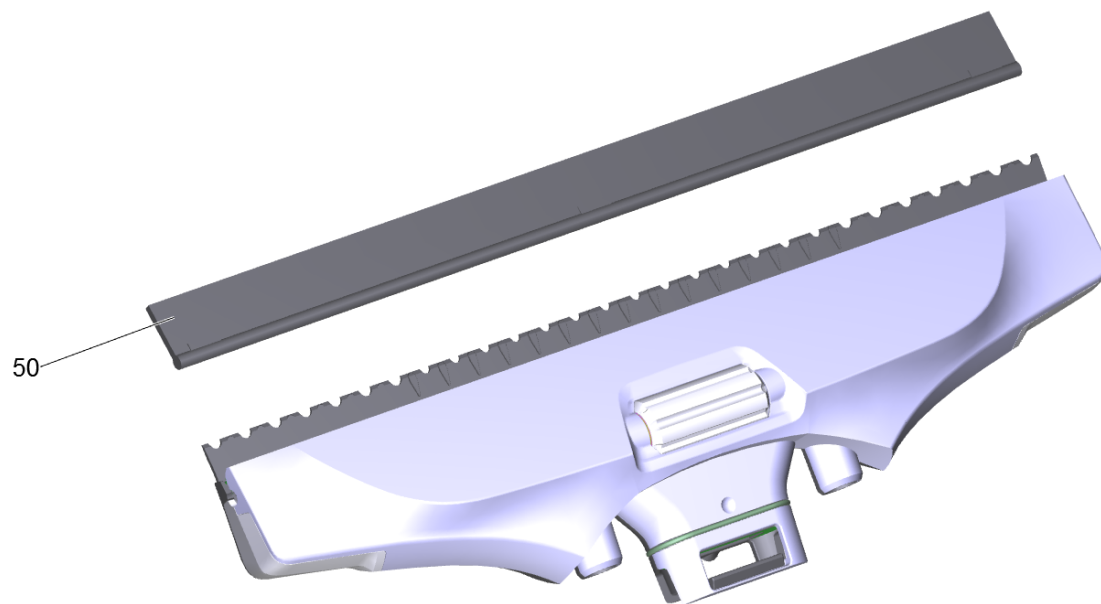
20 Tank complete (9.013-532.3)

POS	Article no.	Description	Quantity	Unit
20	9.013-531.3	Intake water	1.000	ST



20 Intake water (9.013-531.3)

POS	Article no.	Description	Quantity	Unit
20	9.079-087.0	Sealing tank WVP10	1.000	ST



30 Nozzle complete grey (9.013-530.3)

POS	Article no.	Description	Quantity	Unit
50	2.633-005.0	Pull-off lip WV 50 (280mm)	1.000	ST