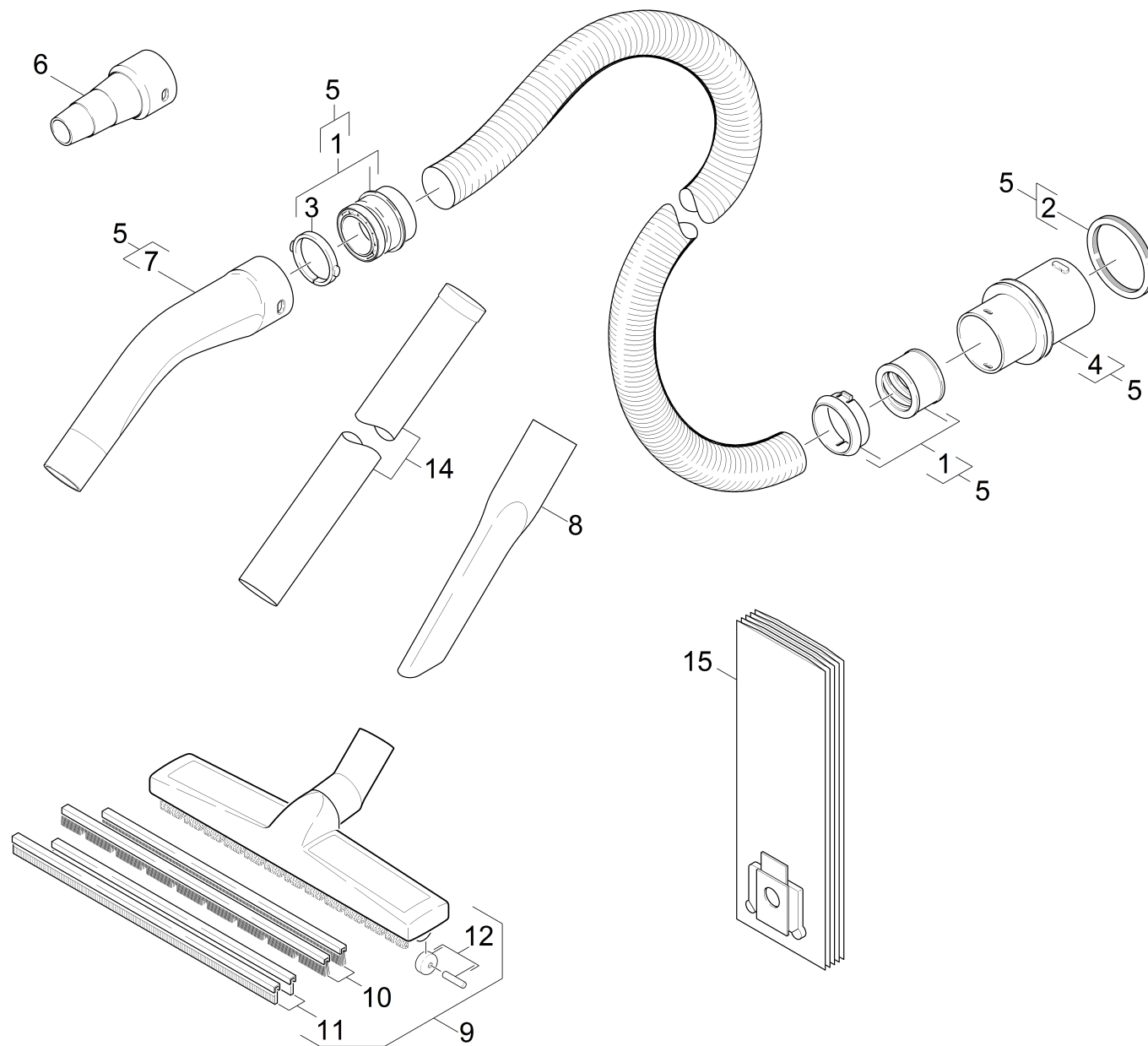


## 50 Accessories

Overview technical documents/Professional/Vacuum cleaner/Wet-/dry vacuum cleaner/NT 45/1 Tact \*GB (1.145-833.0)/Spare parts list NT 45/1 Tact \*GB/50 Accessories



## 50 Accessories

Overview technical documents/Professional/Vacuum cleaner/Wet-/dry vacuum cleaner/NT 45/1 Tact \*GB (1.145-833.0)/Spare parts list NT 45/1 Tact \*GB/50 Accessories

Rez.daļas/nodil.pakļ.daļas	Poz.	Materiāla Nr.	Nosaukums	Daudzums	Pārdoš. vienība	no sēr. Nr..	līdz sēr. Nr.
	1	2.639-690.0	Repair set	1.000	ST	0000000000	0000000000
X	2	6.273-009.0	Joint ring EPDM	1.000	ST	0000000000	0000000000
X-X	3	5.031-703.0	Tension ring C35	1.000	ST	0000000000	0000000000
	4	5.443-464.0	Šļūtenes uzgalis	1.000	ST	0000000000	0000000000
X-X	5	4.440-626.0	Suction hose C DN35	1.000	ST	0000000000	0000000000
X-X	6	5.453-042.0	Pāreja NT35	1.000	ST		
X-X	7	5.031-718.0	Elbow	1.000	ST	0000000000	0000000000
X-X	8	6.906-240.0	Šaurais uzgalis stūriem DN35	1.000	ST	0000000000	0000000000
X-X	9	6.903-284.0	Darbarīks grīdām DN35	1.000	ST	0000000000	0000000000
X-X	10	6.903-278.0	Birstes gumiju komplekts	1.000	ST	0000000000	0000000000
X-X	11	6.903-277.0	Gumijas lūpas 30cm	1.000	ST	0000000000	0000000000
X-X	12	4.515-342.0	Roller with axle	2.000	ST	0000000000	0000000000
X-X	14	6.900-514.0	Sūkšanas caurule DN35	2.000	ST	0000000000	0000000000
X-X	14	6.902-154.0	Sūkšanas caurule DN35	2.000	ST		
X-X	15	6.907-361.0	Filter bag fleece 55L 5St.	1.000	ST		
X-X	15	6.904-208.0	Filtra maisi 5 gab. Kärcher	1.000	ZSA	0000000000	0000000000