

K 5500

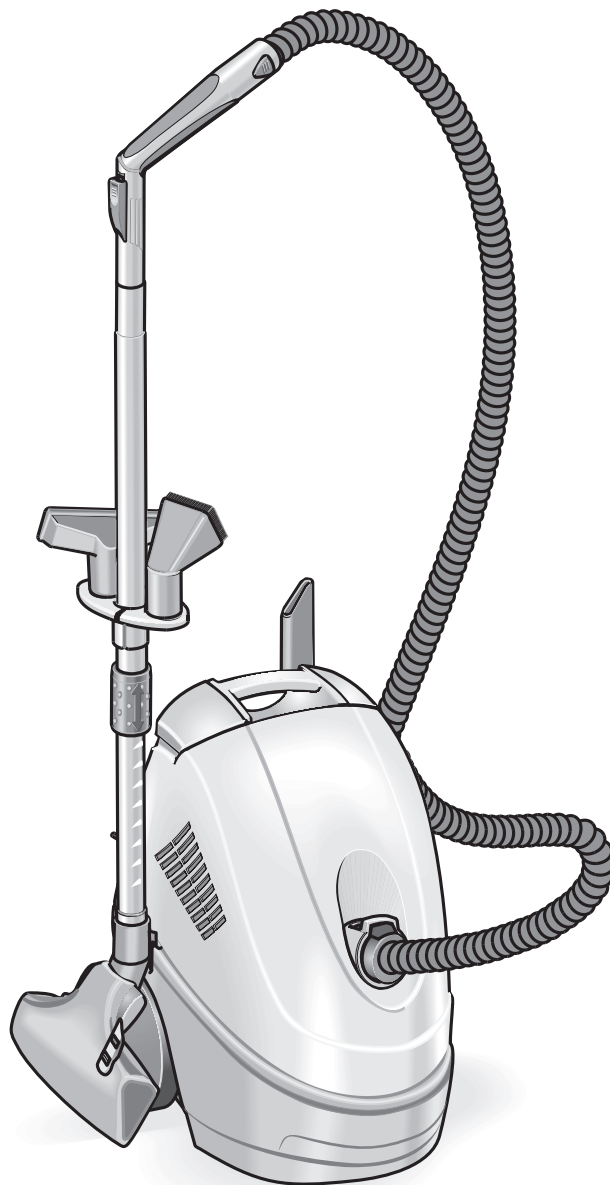
New Unit Information

International Service Information

Dec. 5th, 2000

K 5500

1.195-...



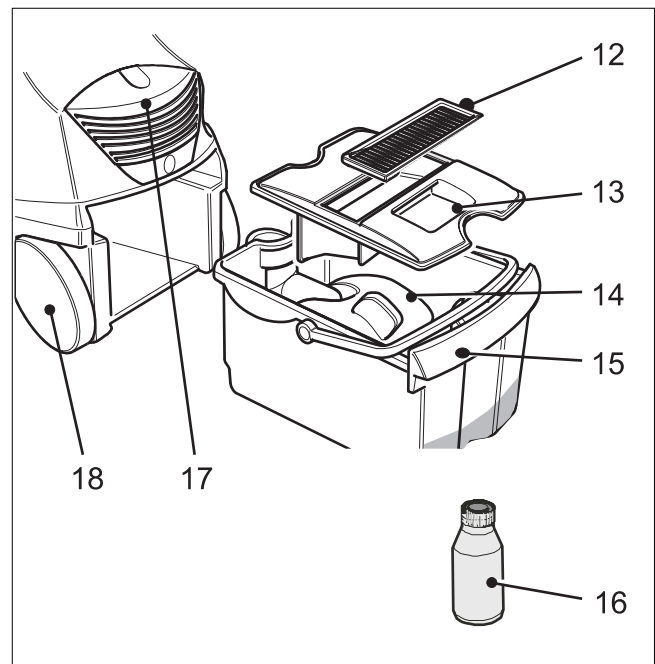
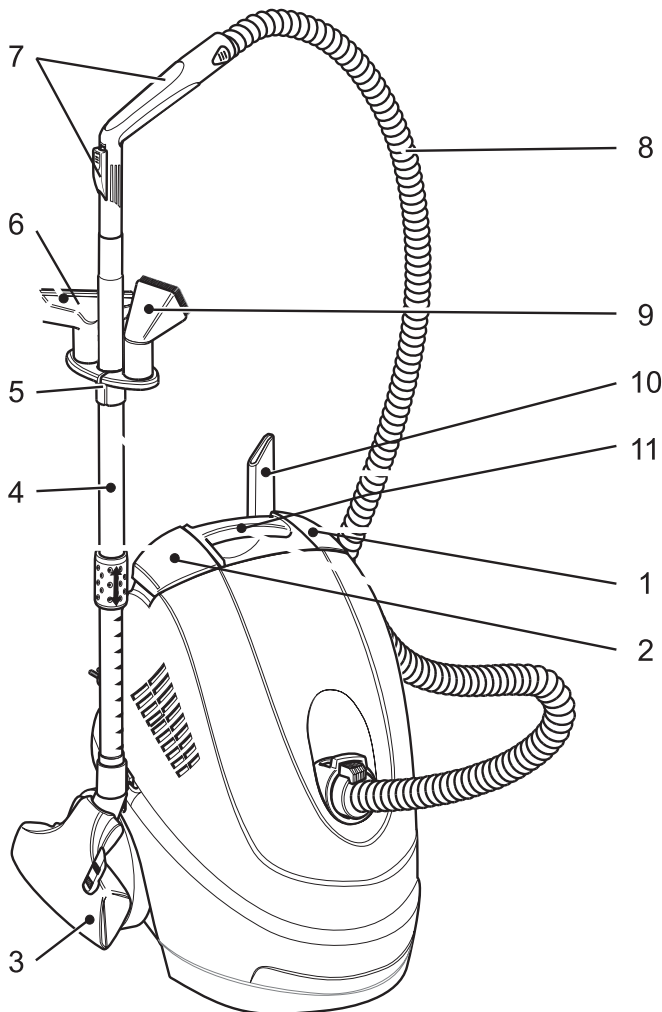
K 5500

New Unit Information

International Service Information

Dec. 5th, 2000

Equipment Features



Rearview

- | | |
|--|--|
| 1 Unit switch | 10 Crevice tool |
| 2 Pushbutton, cable retraction | 11 Carrying handle |
| 3 Floor tool | 12 Flat pleated filter |
| 4 Telescopic suction tube | 13 Water tank cover |
| 5 Accessory holder | 14 Deflection plate |
| 6 Upholstery tool | 15 Water tank |
| 7 Handle with adjustable false air opening | 16 Antifoam additive |
| 8 Suction hose | 17 Filter lid (of HEPA exhaust air filter) |
| 9 Furniture tool | 18 Wheel (2x) |

K 5500

New Unit Information

International Service Information

Dec. 5th, 2000

Technical Features

- This water filtration vacuum cleaner is suitable for allergy sufferers. The drawn in air is cleaned by a filter system containing 3 filters. No filter bags are necessary.
- Transparent water tank
- 2 big wheels, 2 swivel castors

Filter and suction system

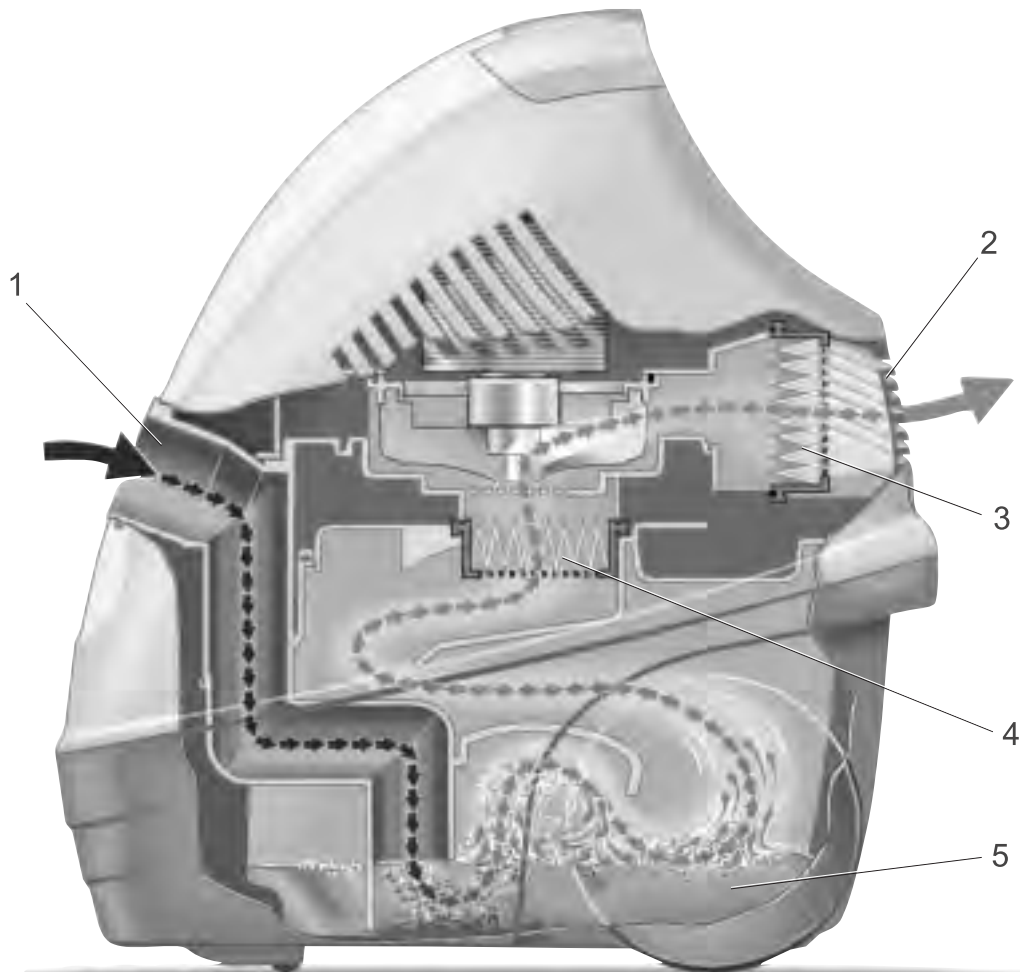
- Water filter:
The drawn in air is cleaned in the water bath (2 litres) of the water tank, separating power of 98.3%. It is necessary to add an antifoam additive to avoid foaming in the water tank.
- Flat pleated filter (washable):
The drawn in air is filtered after the water bath.
- HEPA exhaust air filter (HEPA = High Efficiency Particulate Air):
The drawn in air and also cooling air of the suction motor can be filtered from all particles up to 99.99% ($> 0.3 \mu\text{m}$).
- Wet-vacuuming possible:
When the water tank contains 2 litres water, further 0.5 litre fluids can be vacuumed. 2.5 litres max. can be drawn in, when the water tank is empty.
- Suction hose connection (DN 35)
- Suction power regulation by means of adjustable false air opening at handle

Drive system

- Single-phase universal motor
- Bypass suction motor
- Incased in sound absorbing hood

Electrical system

- Protection class II
- Unit switch
- Automatic cable retraction

K 5500**New Unit Information****International Service Information****Dec. 5th, 2000****Unit Functions**

- 1 Air inlet
- 2 Air discharge
- 3 HEPA exhaust air filter (for drawn in air and cooling air of the suction motor)
- 4 Flat pleated filter
- 5 Water filter

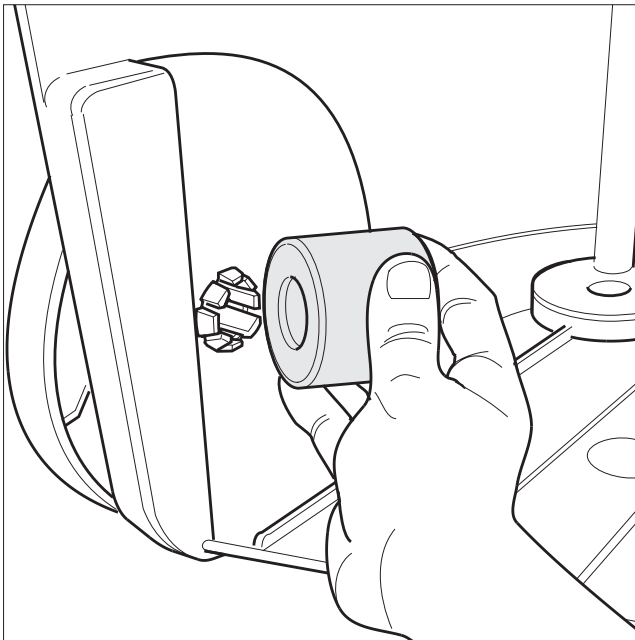
K 5500

New Unit Information

International Service Information

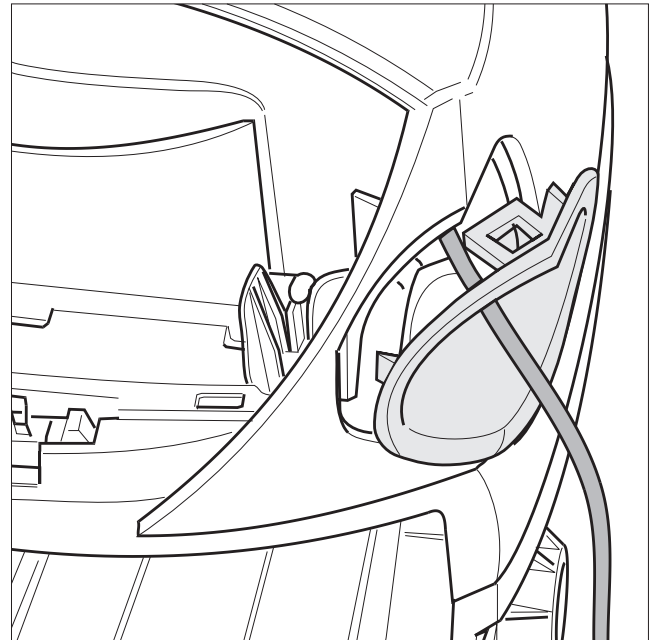
Dec. 5th, 2000

Service Work: Disassembly



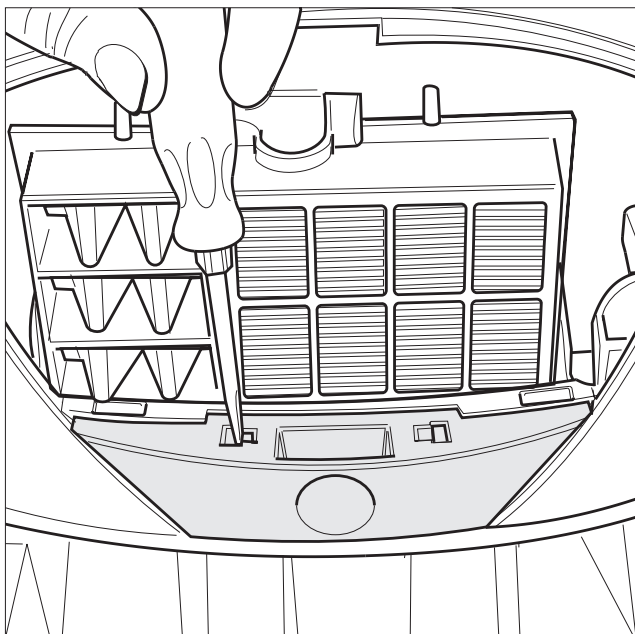
1. Removing wheel

Pull out wheel by using a disassembly sleeve (see special tools).



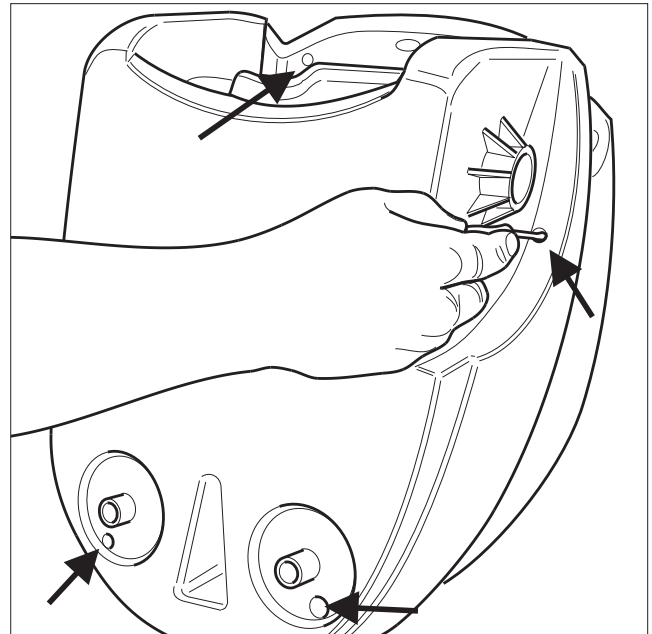
3. Removing cable guide

Carefully press clips to remove cable guide.



2. Removing container latch

Remove container latch.
Remove HEPA exhaust air filter.



4. Removing unit screws

Remove all 6 screws with torx-screwdriver TX 20 (see special tools).

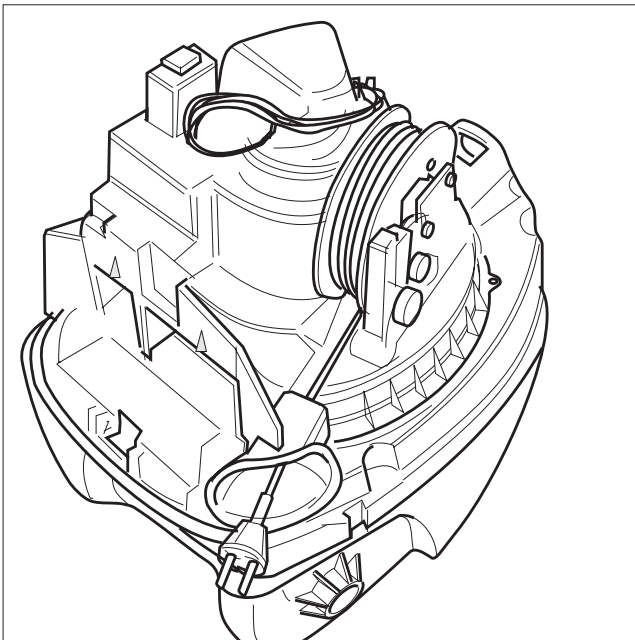
K 5500

New Unit Information

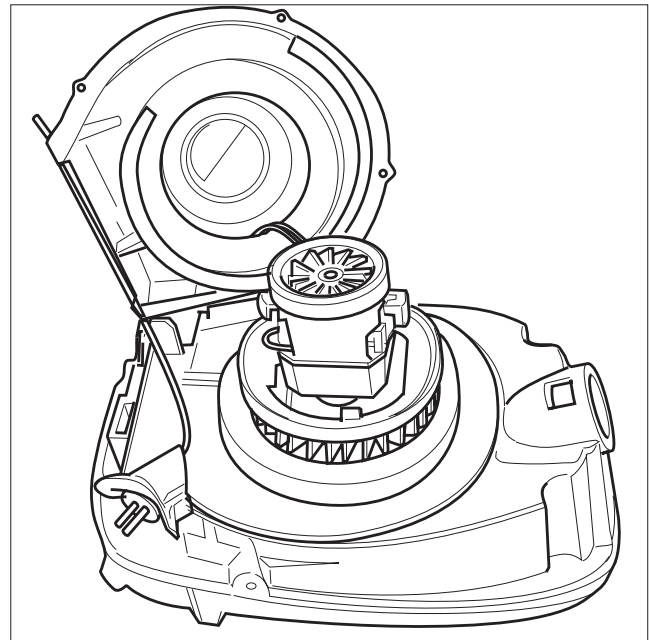
International Service Information

Dec. 5th, 2000

Service Work: Disassembly

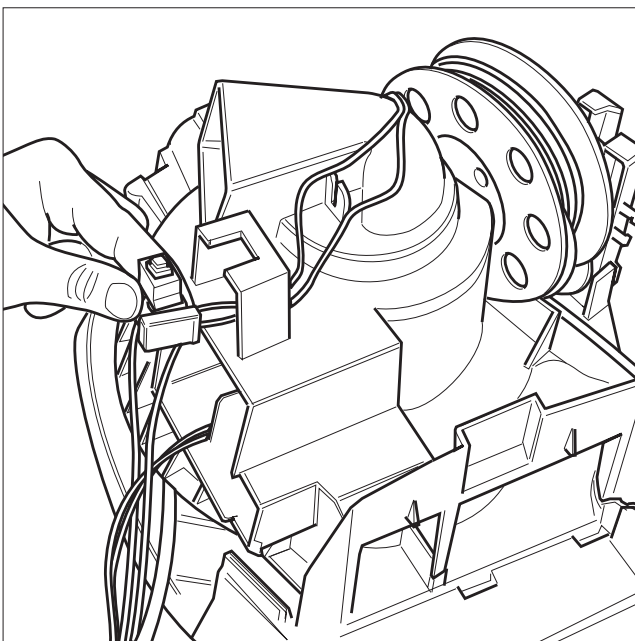


5. Unit cover removed



7. Removing suction motor cover

The suction motor cover is mounted on the base plate by 4 screws.



6. Removing unit switch

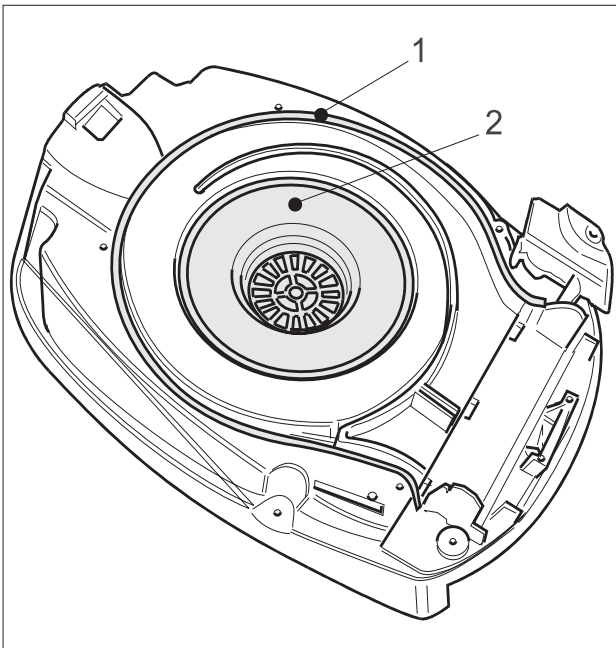
K 5500

New Unit Information

International Service Information

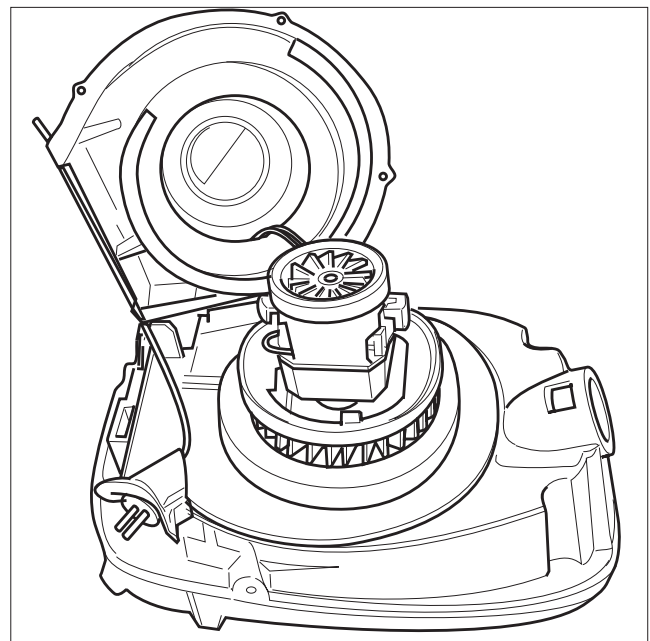
Dec. 5th, 2000

Service Work: Assembly



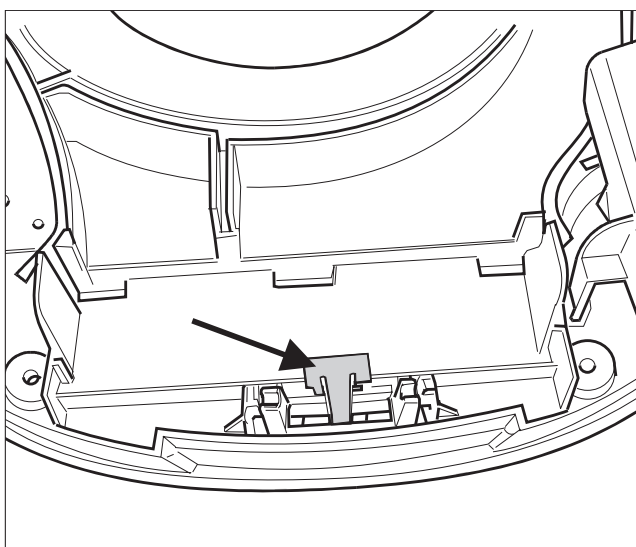
1. Base plate

Insert sponge rubber seal (1) and rubber retainer (2) of the suction motor correctly when assembling.



3. Reinstall suction motor cover

Sprinkle some soap water on suction motor seals. Pay attention to the position of the suction motor and lower part of the cable guide. Carefully install suction motor cover and fasten with 4 screws. Do not clamp the cables of the suction motor.



2. Lock spring

Install lock spring correctly when assembling. Otherwise the water tank cannot be engaged.

4. Finishing assembly (analogous to disassembly):

- Reinstall the unit switch
- Remount upper part of the unit housing (6 screws)
- Carefully engage clips of the cable guide
- Insert the container latch
- Mount the wheels

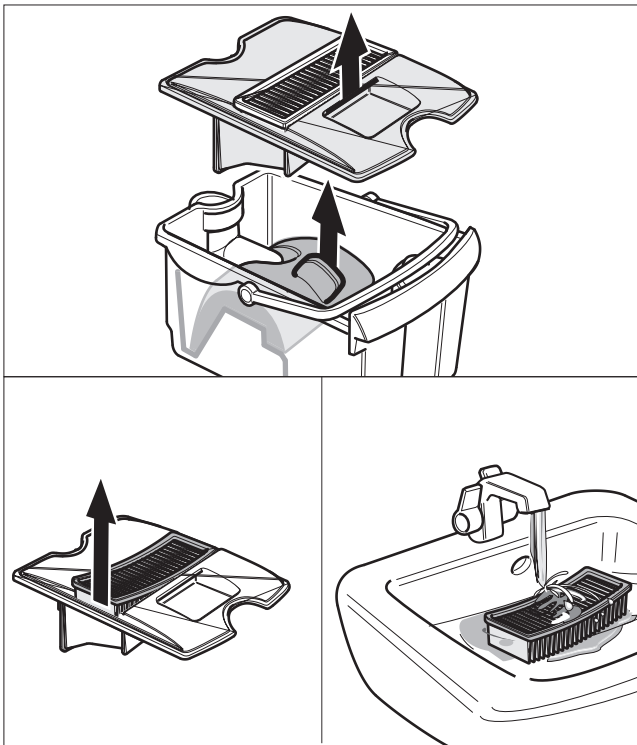
K 5500

New Unit Information

International Service Information

Dec. 5th, 2000

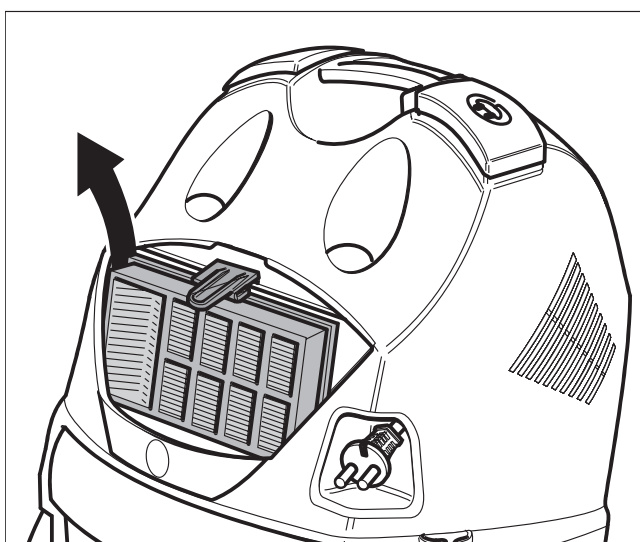
Service Work: Maintenance



Flat pleated filter

Clean the water tank, filter lid and deflection plate after each vacuuming operation.

Rinse and completely dry flat pleated filter every two weeks when vacuuming regularly.



HEPA exhaust air filter

Replace HEPA exhaust filter after 15 months operation. If it is damaged or extremely dirty, replace sooner.

Note:

Do not rinse the HEPA exhaust filter, only clean dry (lightly beat the dirt out of it).

K 5500
New Unit Information
International Service Information
Dec. 5th, 2000
Troubleshooting

Problem	Solution
Suction motor does not run.	<ul style="list-style-type: none"> - Check fuse, plug socket and voltage supply. - Check cable, cable drum with mains plug. - Check / replace unit switch. - Check / replace suction motor.
Poor vacuuming results	<ul style="list-style-type: none"> - Check suction nozzle, suction tube, handle, suction hose for blockage and eliminate it. - Check / close false air opening of handle. - Check suction system (suction hose connection, filter seat, sponge rubber seal at base plate, rubber retainer of the suction motor) for leakage and eliminate it. - Water tank is not completely engaged, check opening mechanism with lock spring. - Check water level in water tank, pay attention to MIN./MAX. mark at tank. - Check flat pleated filter: <ul style="list-style-type: none"> a) Filter is clogged: clean it. b) Filter is wet and clogged: clean and dry. c) Filter is worn-out: replace it. d) Filter is not correctly positioned: install it again. - Check HEPA exhaust air filter: <ul style="list-style-type: none"> a) Filter is clogged: lightly beat the dirt out of it or replace. b) Filter is wet and clogged: replace it. c) Filter is worn-out: replace it. d) Filter is not correctly positioned: install it again.
Heavy foaming in water tank	<ul style="list-style-type: none"> - No antifoam additive - Replace water bath (2 litres) and add one cowl of antifoam additive to water tank.

K 5500

New Unit Information

International Service Information

Dec. 5th, 2000

Specifications

unit	specifications	circuit diagram	operating instructions	maintenance booklet	spare parts list
K 5500 EU 230/240 V, 50/60 Hz	1.195-101	0.088-268	5.959-297	-	5.958-658
K 5500 CH 230/240 V, 50/60 Hz	1.195-102	0.088-268	5.959-297	-	5.958-658
K 5500 AUS 230/240 V, 50/60 Hz	1.195-103	0.088-268	5.959-297	-	5.958-658
K 5500 GB 230/240 V, 50/60 Hz	1.195-104	0.088-268	5.959-297	-	5.958-658

The technical specification sheets and the circuit diagram are on the next edition of the spare parts CD-ROM (DISIS) and in the Intranet .

Technical specification sheets: folder "Central / Service Info Int'l / Technical Specifications"

Circuit diagram: folder "Central / Service Info Int'l / Circuit Diagram"

Further operating instructions and the spare parts lists can be ordered with the corresponding part number from our Spare Parts Dept.

Special Tools

Sleeve (disassembly of the wheels)	2.901-039
Screwdriver TX 20	6.815-166
Adapter 3/8"	6.815-139
Extension	6.815-043

Assembly Torque Ratings

No details required.