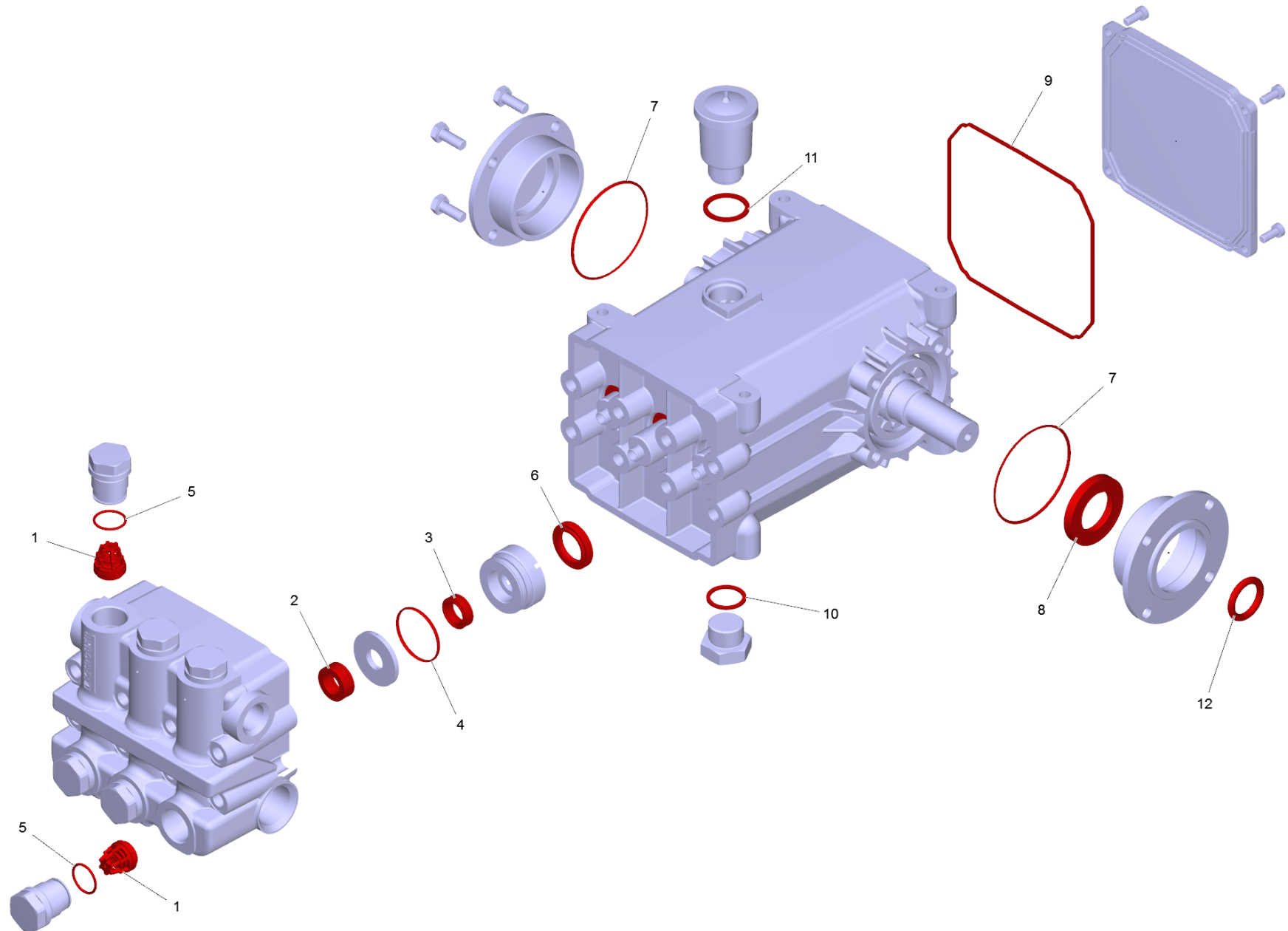


100 Spare parts set industry pump (2.885-140.0)

Professional \ Industrial cleaning systems \ Maximum pressure cleaners \ HD 9/50-4 \ Spare parts list HD 9/50-4 400V \ Pump set \ Piston \ Spare parts set industry pump



100 Spare parts set industry pump (2.885-140.0)

Professional \ Industrial cleaning systems \ Maximum pressure cleaners \ HD 9/50-4 \ Spare parts list HD 9/50-4 400V \ Pump set \ Piston \ Spare parts set industry pump

KÄRCHER

POS	Article no.	Description	Quantity	Unit	Foot note text
1	2.885-158.0	Spare part set valve	2.000	ST	3 QTY.
2	6.365-538.0	Set of gaskets	3.000	ST	
3	6.365-539.0	Set of gaskets	3.000	ST	
4	6.362-377.0	O-Ring seal 38,0 X 2,0-NBR 70	3.000	ST	
5	6.363-513.0	O-Ring seal 14x2 PUR 94	6.000	ST	
6	6.367-032.0	Rotary shaft seal 24X 35-NBR	3.000	ST	
7	6.362-887.0	O-Ring seal 65,0 X 2,5	2.000	ST	
8	6.367-099.0	Rotary shaft seal 52x30	1.000	ST	
9	6.363-257.0	O-Ring seal	1.000	ST	
10	6.362-168.0	O-Ring seal 22,3 X 2,4-NBR 70	1.000	ST	
11	6.363-319.0	O-Ring seal 21,5X3,2	1.000	ST	
12	6.363-328.0	O-Ring seal 23.16x5.33	1.000	ST	