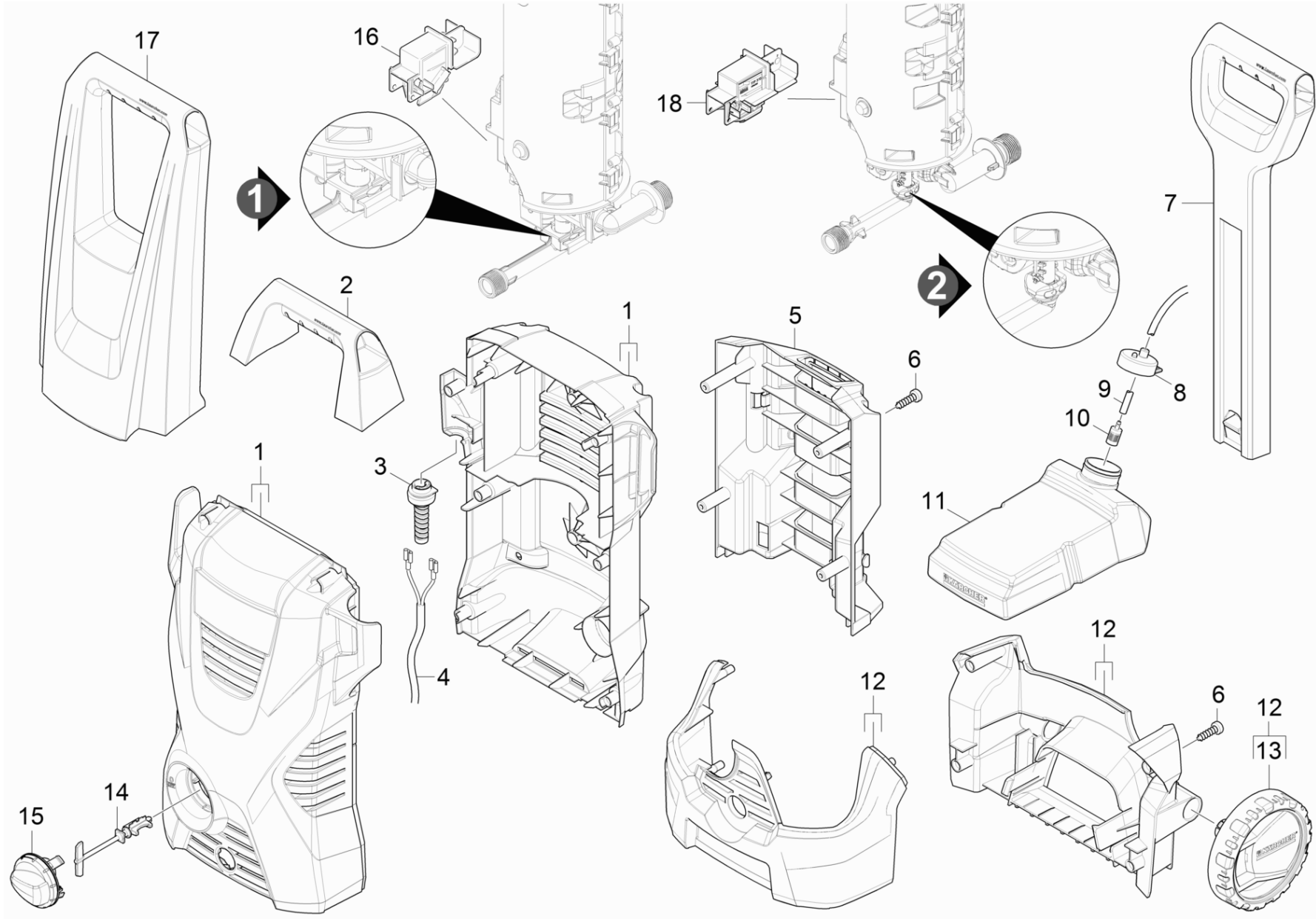


## 10 Housing

Overview technical documents/Home & Garden/High pressure cleaner cold water/Electric motor/K 2/K 2.425 (1.674-113.0)/Spare parts list K2 Modulrange Top/10 Housing



## 10 Housing

Overview technical documents/Home & Garden/High pressure cleaner cold water/Electric motor/K 2/K 2.425 (1.674-113.0)/Spare parts list K2 Modulrange Top/10 Housing

Poz.	Materiāla Nr.	Nosaukums	Daudzums	Pārdoš. vienība
1	5.067-564.0	Housing pair KÄRCHER	1.000	ST
Pozīcijas teksts: 1.674-113.0				
1	5.067-550.0	Housing repair	1.000	ST
Pozīcijas teksts: 1.674-100.0 /-102.0 /-103.0 /-105.0 /-106.0 /-107.0 /-108.0 /-109.0 /-110.0 /-111.0 /-112.0 /-114.0 /-115.0 /-116.0 /-120.0				
2	5.322-038.0	Handhold small K2 Modul-Range	1.000	ST
Pozīcijas teksts: 1.674-103.0 /-105.0 /-107.0 /-113.0/-114.0 /-115.0				
3	9.760-372.0	Cable bushing 6-8,5mm	1.000	ST
4	6.648-182.0	Cable with plug *CH (2x1)	1.000	ST
Pozīcijas teksts: 1.674-102.0 /-105.0 /-115.0 /-116.0				
4	6.649-290.0	Cable with plug GFCI * (SJTW AWG16/2)	1.000	ST
Pozīcijas teksts: 1.674-113.0				
4	6.649-867.0	Cable with plug *MX (SJTW AWG16/2)	1.000	ST
Pozīcijas teksts: 1.674-120.0				
4	6.648-181.0	Cable with plug *EU	1.000	ST
Pozīcijas teksts: 1.674-100.0 /-103.0 /-106.0 /-107.0 /-108.0 /-109.0 /-110.0 /-114.0				
4	6.647-789.0	Cable with plug *GB	1.000	ST
Pozīcijas teksts: 1.674-111.0 /-112.0				
5	5.037-237.0	Holder accessories K2 Modul-Range	1.000	ST
Pozīcijas teksts: 1.674-103.0 /-105.0 /-107.0 /-113.0/-114.0 /-115.0				
6	7.303-096.0	Skrūve 4x22 -ST-10.9-R2R (IN6RD)	11.000	ST
7	5.322-041.0	Handhold Trolley K2 Modul-Range	1.000	ST
Pozīcijas teksts: 1.674-103.0 /-105.0 /-107.0 /-113.0/-114.0 /-115.0				
8	6.394-670.0	Cover tank cleaning agents (TPE)	1.000	ST
9	6.388-216.0	Šļūtene DN 5	1.000	M
10	5.731-652.0	Filtrs ar atsvariņu	1.000	ST

## 10 Housing

Overview technical documents/Home & Garden/High pressure cleaner cold water/Electric motor/K 2/K 2.425 (1.674-113.0)/Spare parts list K2 Modulrange Top/10 Housing

Poz.	Materiāla Nr.	Nosaukums	Daudzums	Pārdoš. vienība
11	5.071-240.0	Tank cleaning agents K2 Modul-Range	1.000	ST
12	4.520-204.0	Chassis complete replacement K2 MR Top	1.000	ST
13	5.515-357.0	Wheel D120 K2 Modul-Range	2.000	ST
14	5.105-659.0	Axle UZS 75.5mm	1.000	ST
15	5.322-039.0	Handhold switch Modul Range	1.000	ST
16	6.630-357.0	Slēdzis, pilns kpl. UL/CSA	1.000	ST
17	5.322-037.0	Handhold large K2 Modul-Range	1.000	ST
Pozīcijas teksts: 1.674-100.0 /-102.0 /-106.0 /-108.0 / -109.0 /-110.0 /-111.0 /-112.0 /-116.0 /-120.0				
18	6.630-768.0	Switch replacement + UL/CSA RV	1.000	ST