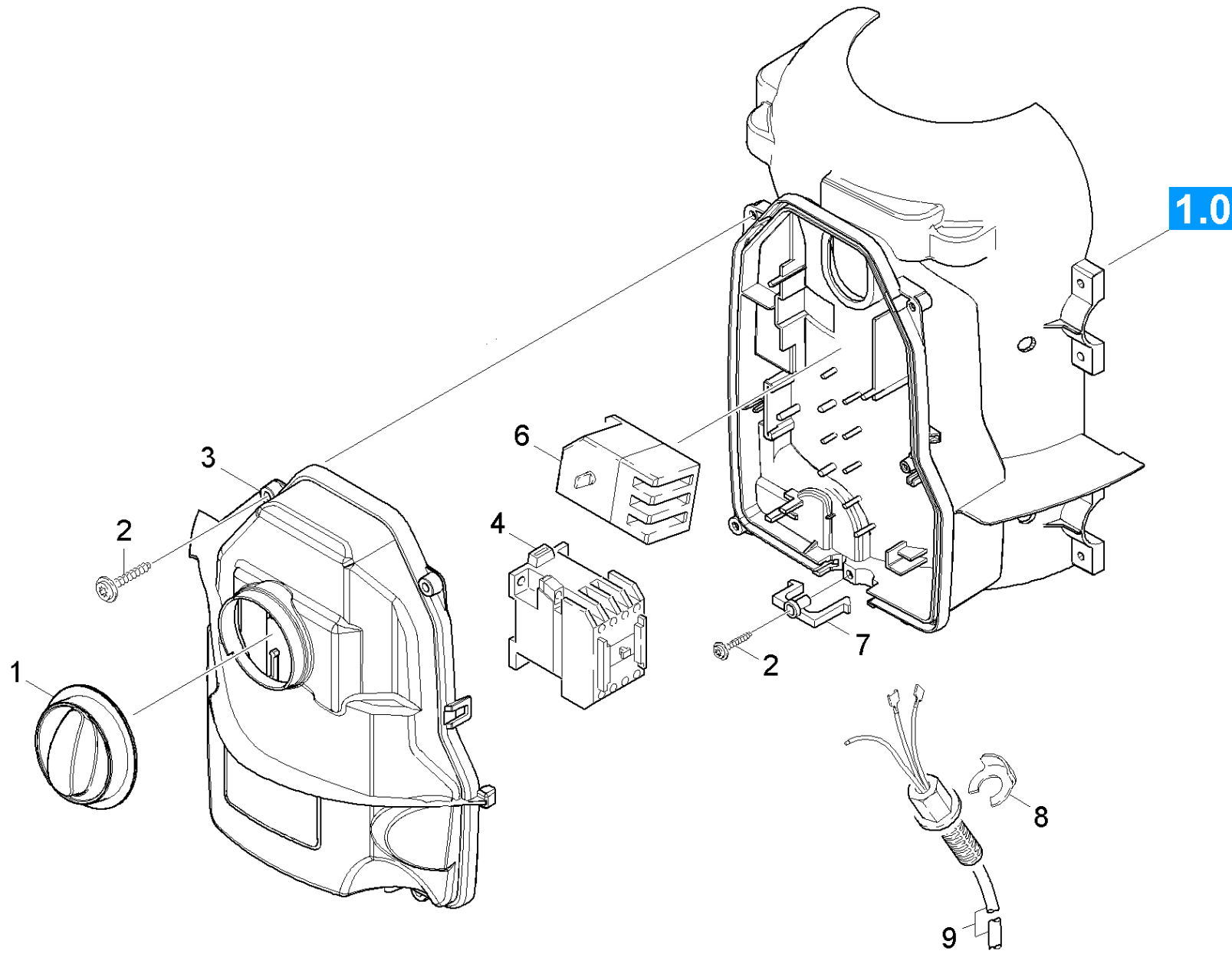


## 50 Electric box

Overview technical documents/Professional/High pressure cleaner cold water/Electric motor/HD 9/20-4m (1.524-400.0)/Spare parts list high-pressure 9/20-4M \*/50 Electric box



## 50 Electric box

Overview technical documents/Professional/High pressure cleaner cold water/Electric motor/HD 9/20-4m (1.524-400.0)/Spare parts list high-pressure 9/20-4M \*/50 Electric box

Rez.daļas/nodil.pakļ.daļas	Poz.	Materiāla Nr.	Nosaukums	Daudzums	Pārdoš. vienība	no sēr. Nr..	līdz sēr. Nr.
X	1	5.322-101.0	Handle yellow	1.000	ST	0000000000	0000000000
	2	6.303-200.0	Skrūve 5x25-IN6RD	5.000	ST	0000000000	0000000000
	3	5.064-176.0	Vāks	1.000	ST	0000000000	0000000000
X-X	4	6.632-414.0	Kontakts LC1-D18V7SC090	1.000	ST	0000000000	0000000000
X-X	6	6.631-190.0	Elektromotora aizsardzības slēdzis	1.000	ST	0000000000	0000000000
	7	5.263-051.0	tensioning part	1.000	ST	0000000000	0000000000
	8	6.343-186.0	Bloķētājgredzens	1.000	ST	0000000000	0000000000
	9	6.649-442.0	Vads ar kontaktdakšu	1.000	ST	0000000000	0000000000