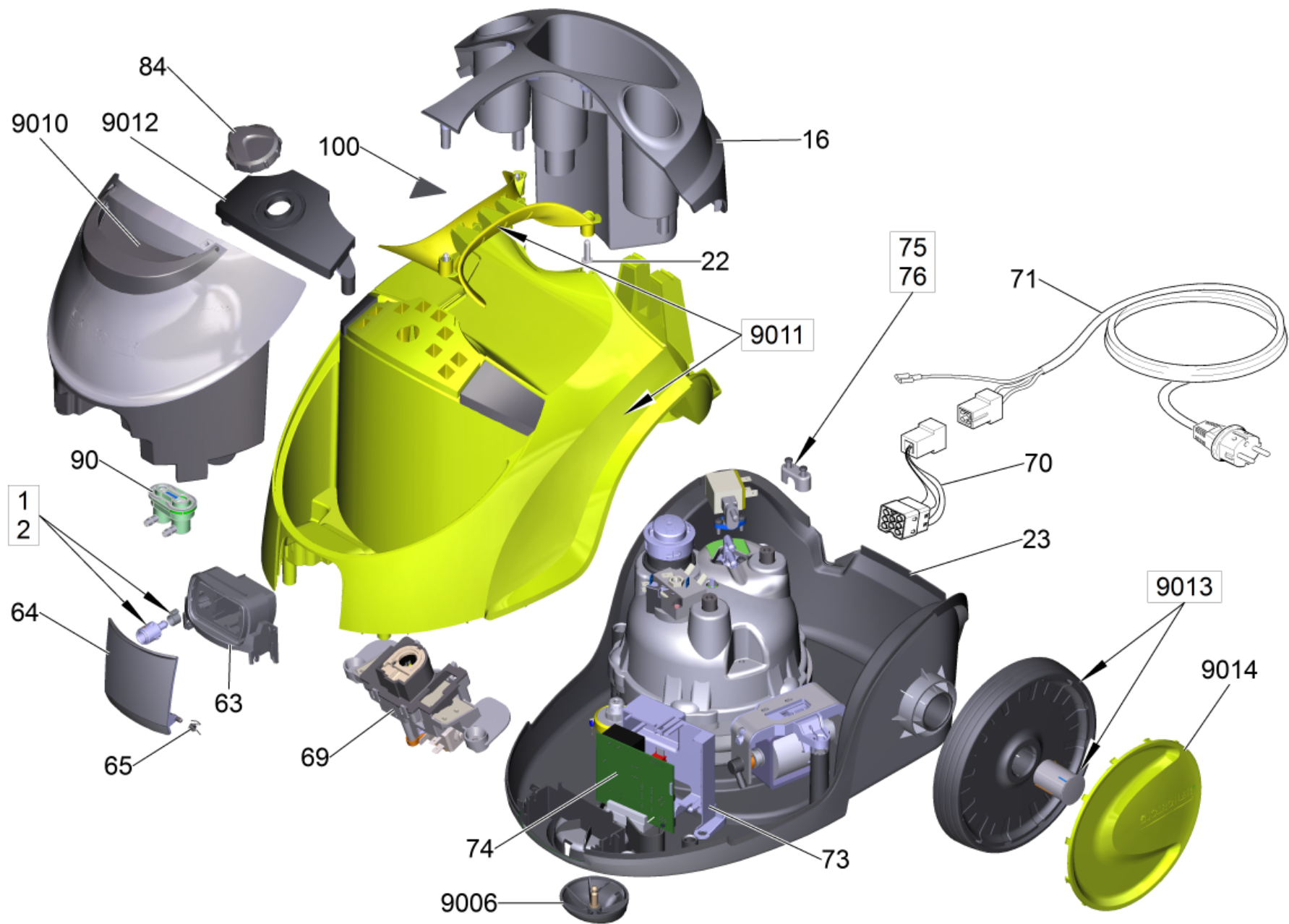


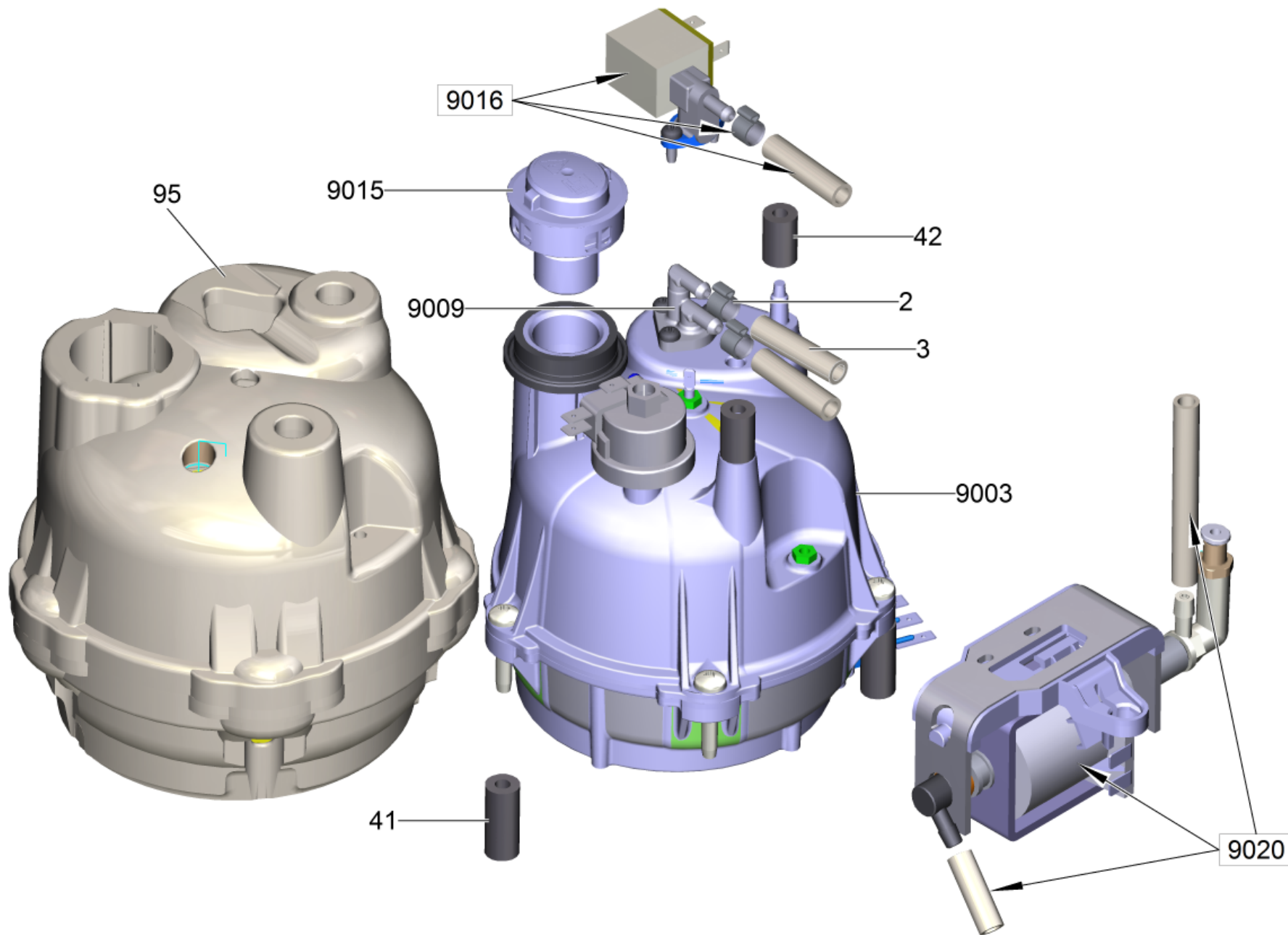
Spare parts list

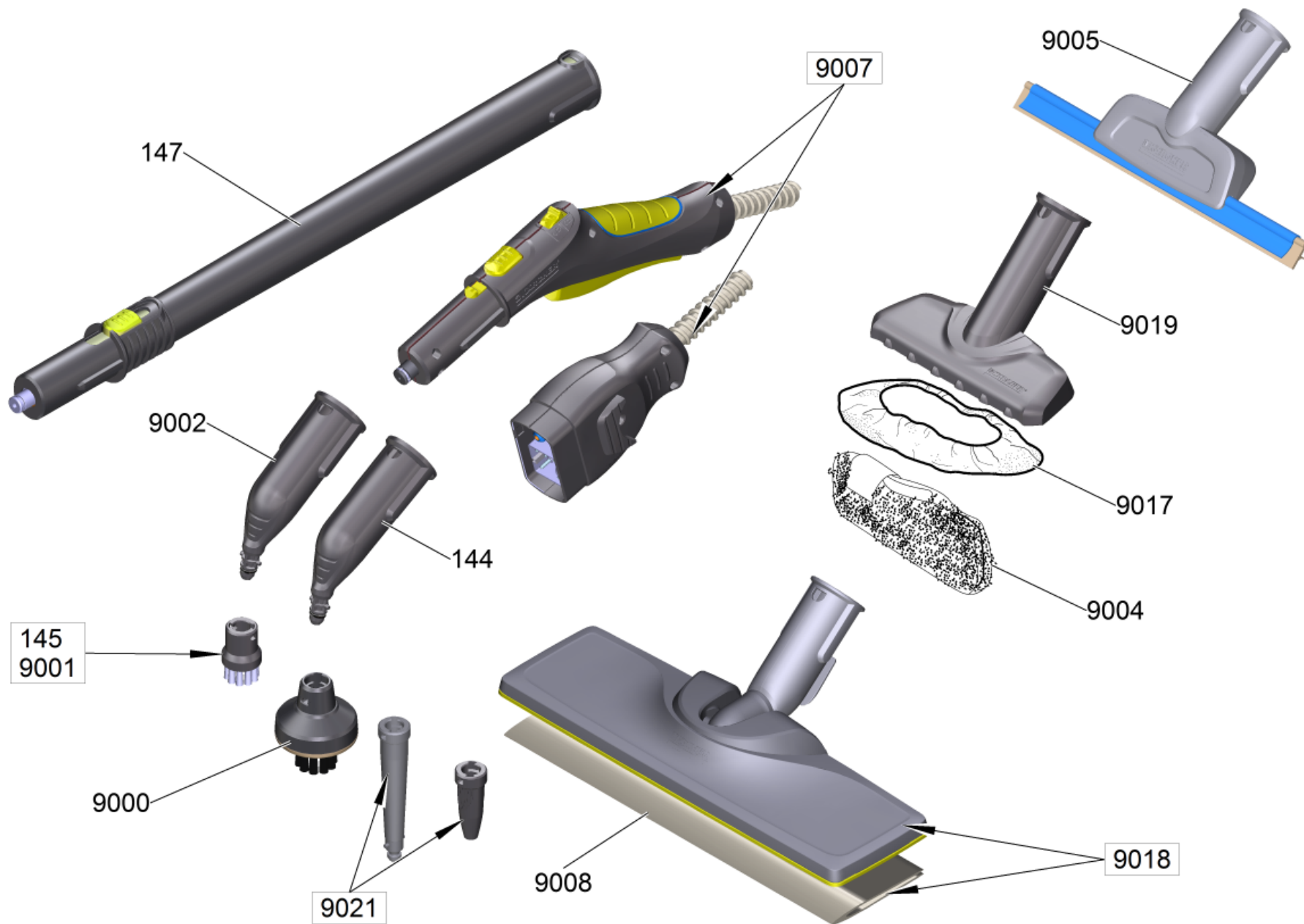
(1.512-530.0) SC 5 EasyFix (yellow) Iron Plug*EU

Table of contents

SC 5 EasyFix (yellow) Iron Plug*EU (1.512-530.0)	3
50 Solenoid valve complete mounted	8
69 Ratchet unit SC TOP DIY (4.512-054.0)	10
144 Point jet nozzle complete black (4.130-431.0)	12
147 Extension pipe (4.127-024.0)	14
9002 Point jet nozzle complete PA (4.130-021.0)	16
9003 Boiler complete replacement (4.070-884.0)	18
9005 Window nozzle special accessories (2.863-025.0)	20
9009 Set double nipple replacement (4.509-001.0)	22
9011 Housing top part replacement SC 5.800 C (4.512-065.0)	24
9020 Pump complete E 503 (4.473-024.0)	26
9021 Power nozzle (2.884-282.0)	28





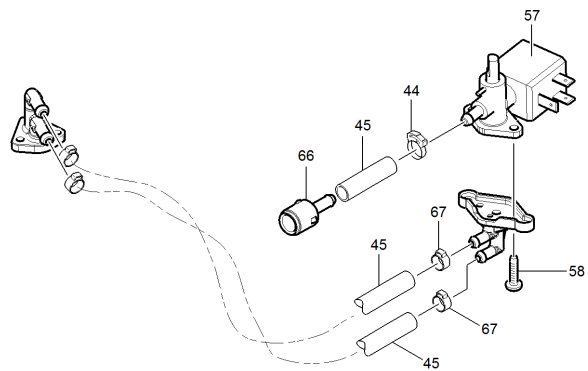


SC 5 EasyFix (yellow) Iron Plug*EU (1.512-530.0)

POS	Article no.	Description	Quantity	Unit	Foot note text
0		Short spare parts list	1.000	ST	
1	5.409-642.0	Nipple plug socket	1.000	ST	
2	6.389-882.0	Hose clip 8,5-10,0	1.000	ST	
3	6.389-862.0	Hose silicon DN4	1.000	M	TO ORDER AS CUT GOODS
16	5.512-114.0	Attachment housing black SC TOP DIY	1.000	ST	
22	7.303-108.0	Screw 5x20 -10.9-R2R (In6Rd)	11.000	ST	
23	5.512-116.0	Housing bottom part black SC TOP DIY	1.000	ST	
41	6.512-001.0	Bearing rubber bottom	3.000	ST	
42	6.512-002.0	Bearing rubber above	2.000	ST	
50		Solenoid valve complete mounted	1.000	ST	
63	5.512-040.0	Plug socket EFH	1.000	ST	
64	5.512-120.0	Cover plug socket black SC TOP DIY	1.000	ST	
65	6.332-002.0	Torsion spring plug socket base	1.000	ST	
69	4.512-054.0	Ratchet unit SC TOP DIY	1.000	ST	
70	4.039-214.0	Cable set with insert SC TOP	1.000	ST	
71	6.650-033.0	Cable with plug 6m *EU	1.000	ST	
73	5.512-095.0	Carrier electronics SC Top	1.000	ST	
74	6.512-025.0	Electronics SC TOP DIY	1.000	ST	
75	5.034-505.0	Retaining bracket cable	1.000	ST	
76	6.303-199.0	Oval head screw 4,2x 16	2.000	ST	
84	5.033-757.0	Steam quantity adjuster SC Top	1.000	ST	
90	4.580-637.0	Valve tank replacement	1.000	ST	
95	5.673-187.0	Insulating boiler	1.000	ST	
100	5.387-036.0	Warning sign	1.000	ST	
144	4.130-431.0	Point jet nozzle complete black	1.000	ST	
145	2.863-264.0	Round brushes set	1.000	ST	
145	2.863-061.0	Bristle rink set CuZn	1.000	ST	
145	2.863-264.0	Round brushes set	1.000	ST	
147	4.127-024.0	Extension pipe	2.000	ST	
9000	2.863-022.0	Round brush large special accessories	1.000	ST	
9001	2.863-140.0	Round brush with scraper	1.000	ST	
9002	4.130-021.0	Point jet nozzle complete PA	1.000	ST	
9003	4.070-884.0	Boiler complete replacement	1.000	ST	

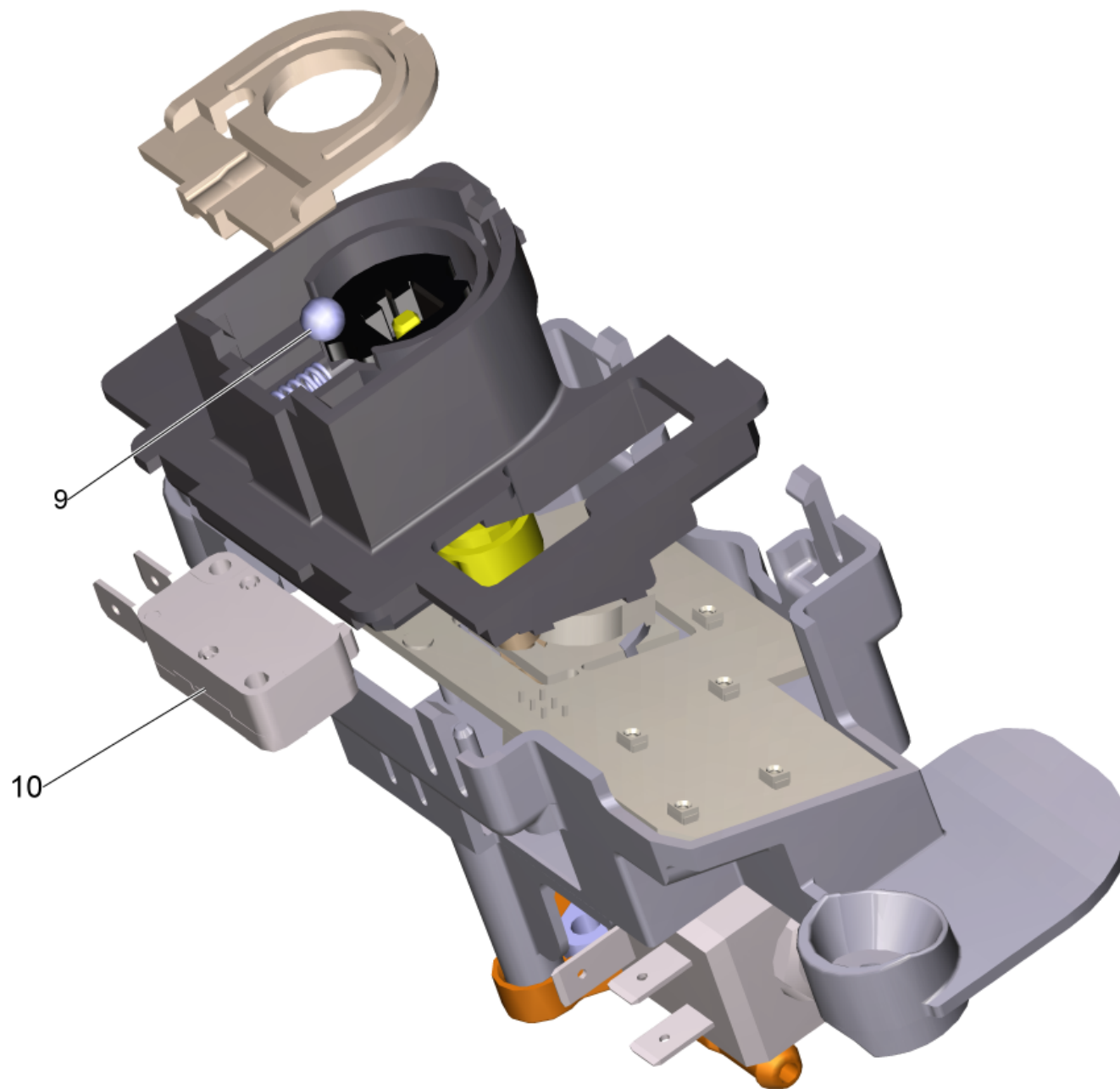
SC 5 EasyFix (yellow) Iron Plug*EU (1.512-530.0)

POS	Article no.	Description	Quantity	Unit	Foot note text
9004	2.863-270.0	Microfibre covers for hand nozzle	1.000	ST	
9005	2.863-025.0	Window nozzle special accessories	1.000	ST	
9006	4.195-063.0	Castor complete	1.000	ST	
9007	4.322-046.0	Steam hose replacement 2m bk/yw	1.000	ST	
9008	2.863-259.0	Microfibre floor cloths EasyFix (2-er Se	1.000	ST	
9009	4.509-001.0	Set double nipple replacement	1.000	ST	
9010	4.512-063.0	Tank complete replacement SC TOP	1.000	ST	
9011	4.512-065.0	Housing top part replacement SC 5.800 C	1.000	ST	
9012	4.512-066.0	Set screen replacement SC 5.800 C	1.000	ST	
9013	4.515-336.0	Wheel set replacement	1.000	ST	
9014	4.515-338.0	Screen set replacement ye	1.000	ST	
9015	4.580-760.0	Maintenance closure complete replacement	1.000	ST	
9016	4.686-025.0	Set solenoid valve replacement	1.000	ST	
9017	2.863-270.0	Microfibre covers for hand nozzle	1.000	ST	
9018	2.863-267.0	Floor nozzle set EasyFix	1.000	ST	
9019	2.884-280.0	Hand nozzle	1.000	ST	
9020	4.473-024.0	Pump complete E 503	1.000	ST	
9021	2.884-282.0	Power nozzle	1.000	ST	



50 Solenoid valve complete mounted

POS	Article no.	Description	Quantity	Unit
44	6.389-993.0	Hose clip 7,5 - 9,0	1.000	ST
45	6.389-862.0	Hose silicon DN4	0.810	M
57	4.686-025.0	Set solenoid valve replacement	1.000	ST
58	7.303-032.0	Screw M4x12 -St-R2R (In6Rd)	2.000	ST
60	7.311-001.0	Hexagon nut M4 -8-A2E ISO 4032	2.000	ST
66	5.409-642.0	Nipple plug socket	1.000	ST
67	6.389-882.0	Hose clip 8,5-10,0	5.000	ST



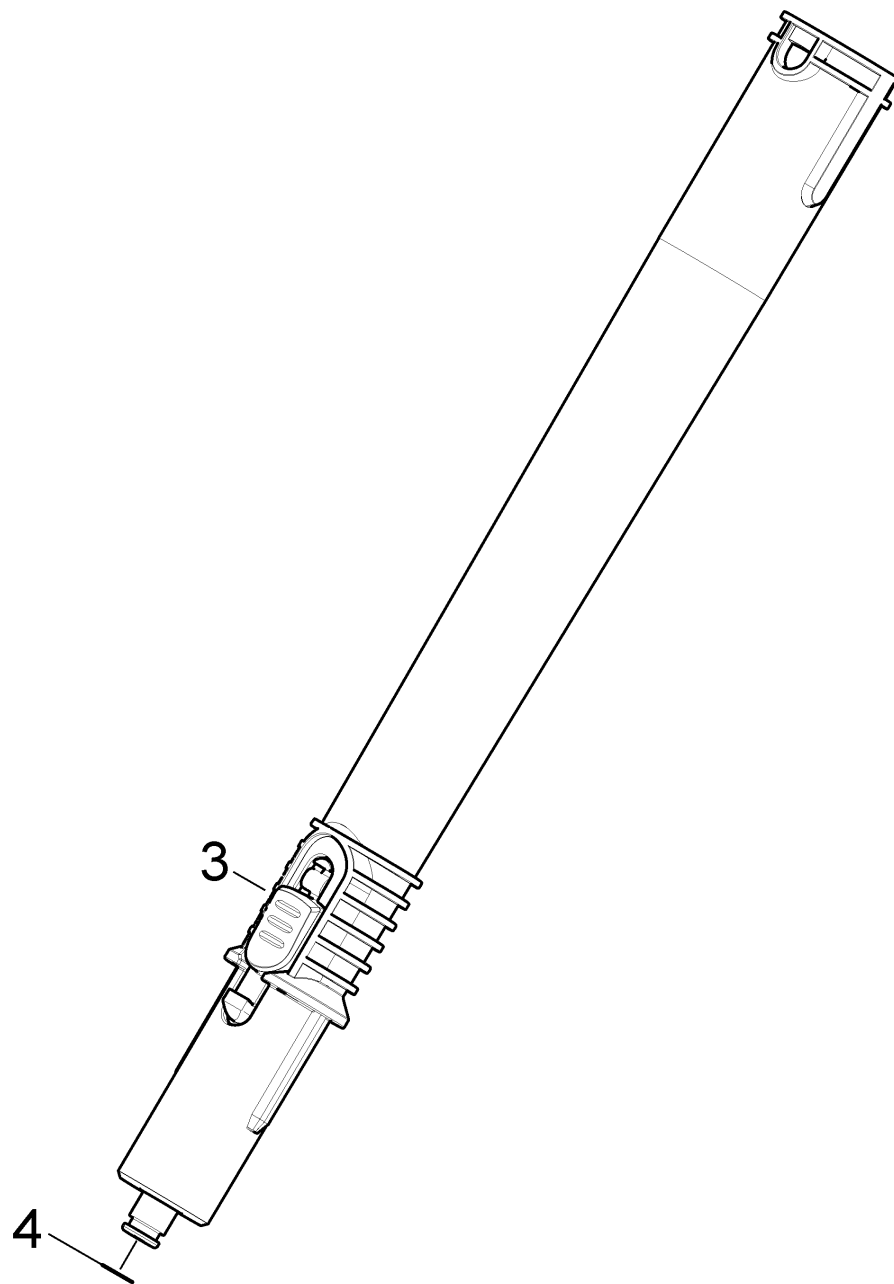
69 Ratchet unit SC TOP DIY (4.512-054.0)

POS	Article no.	Description	Quantity	Unit
9	7.401-918.0	Sphere 6 G300 -1.4301 DIN 5401	1.000	ST
10	6.630-652.0	Micro switch 1005	1.000	ST



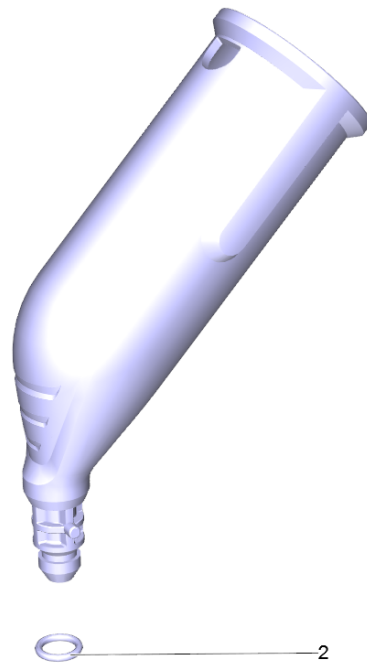
144 Point jet nozzle complete black (4.130-431.0)

POS	Article no.	Description	Quantity	Unit
2	6.362-186.0	O-Ring seal 7,65X 1,78	1.000	ST



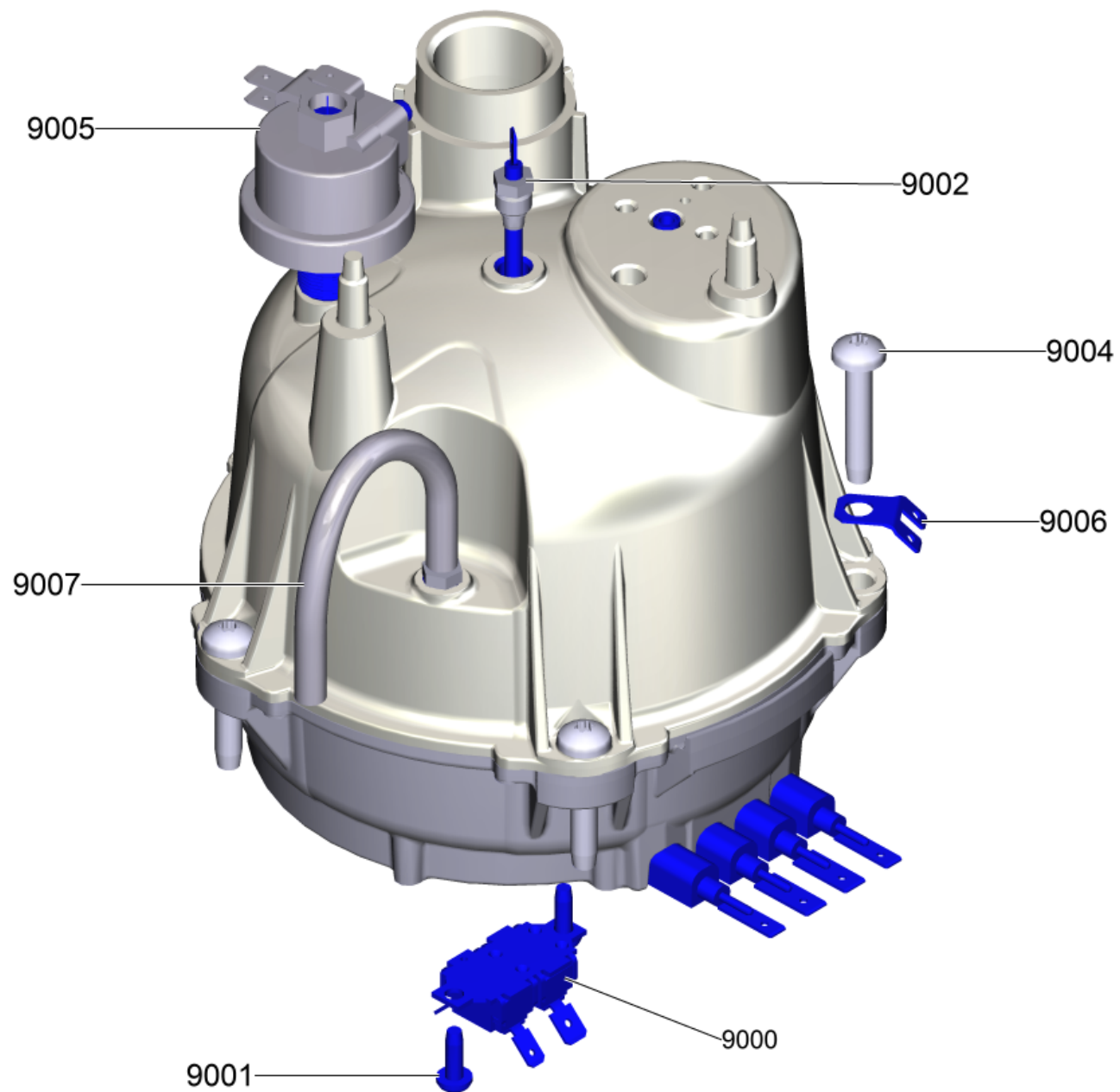
147 Extension pipe (4.127-024.0)

POS	Article no.	Description	Quantity	Unit
3	5.037-220.0	Snap-fit	1.000	ST
4	6.362-922.0	O-Ring seal 8,73x1,78	1.000	ST



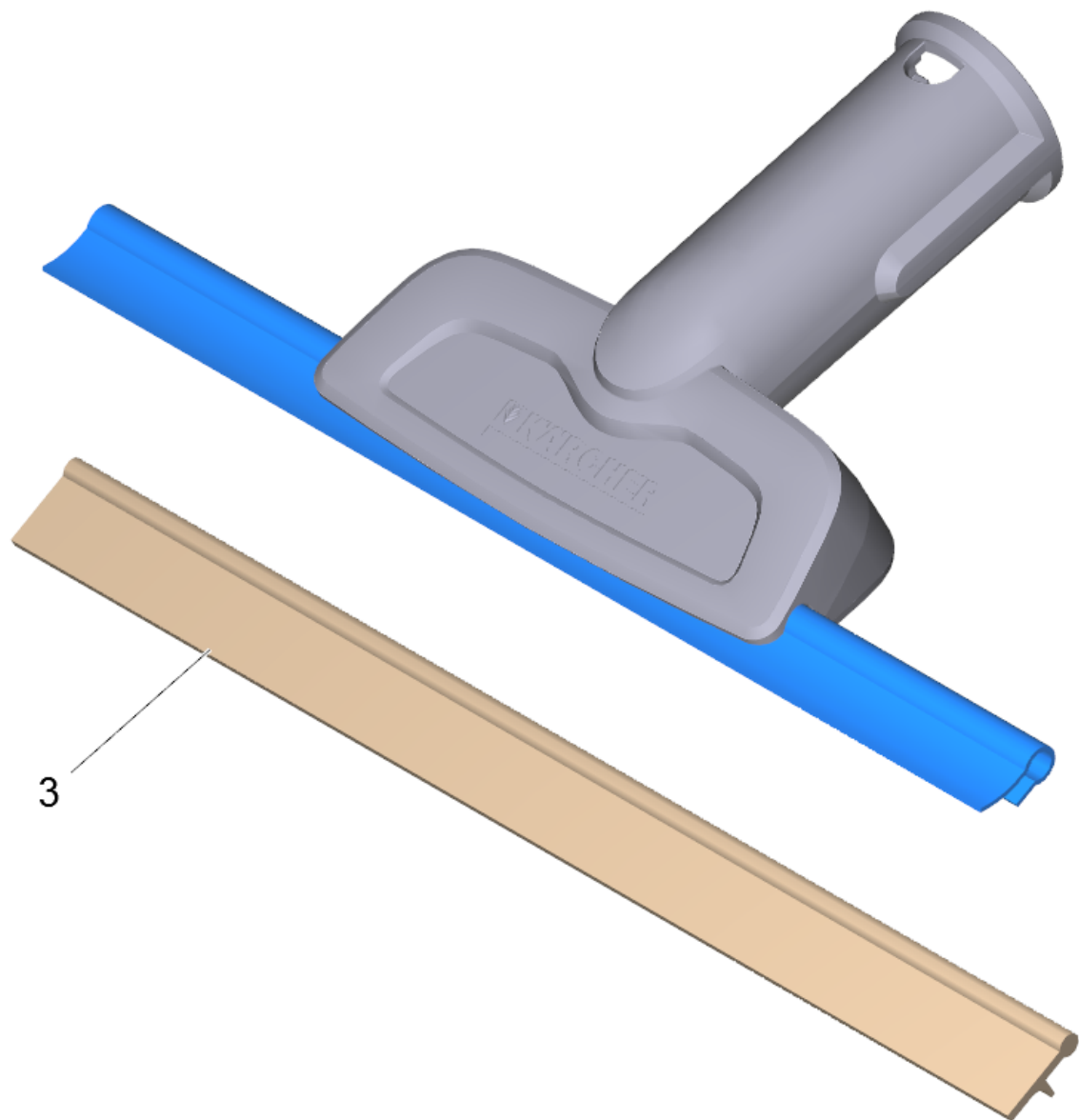
9002 Point jet nozzle complete PA (4.130-021.0)

POS	Article no.	Description	Quantity	Unit
2	6.362-186.0	O-Ring seal 7,65X 1,78	1.000	ST



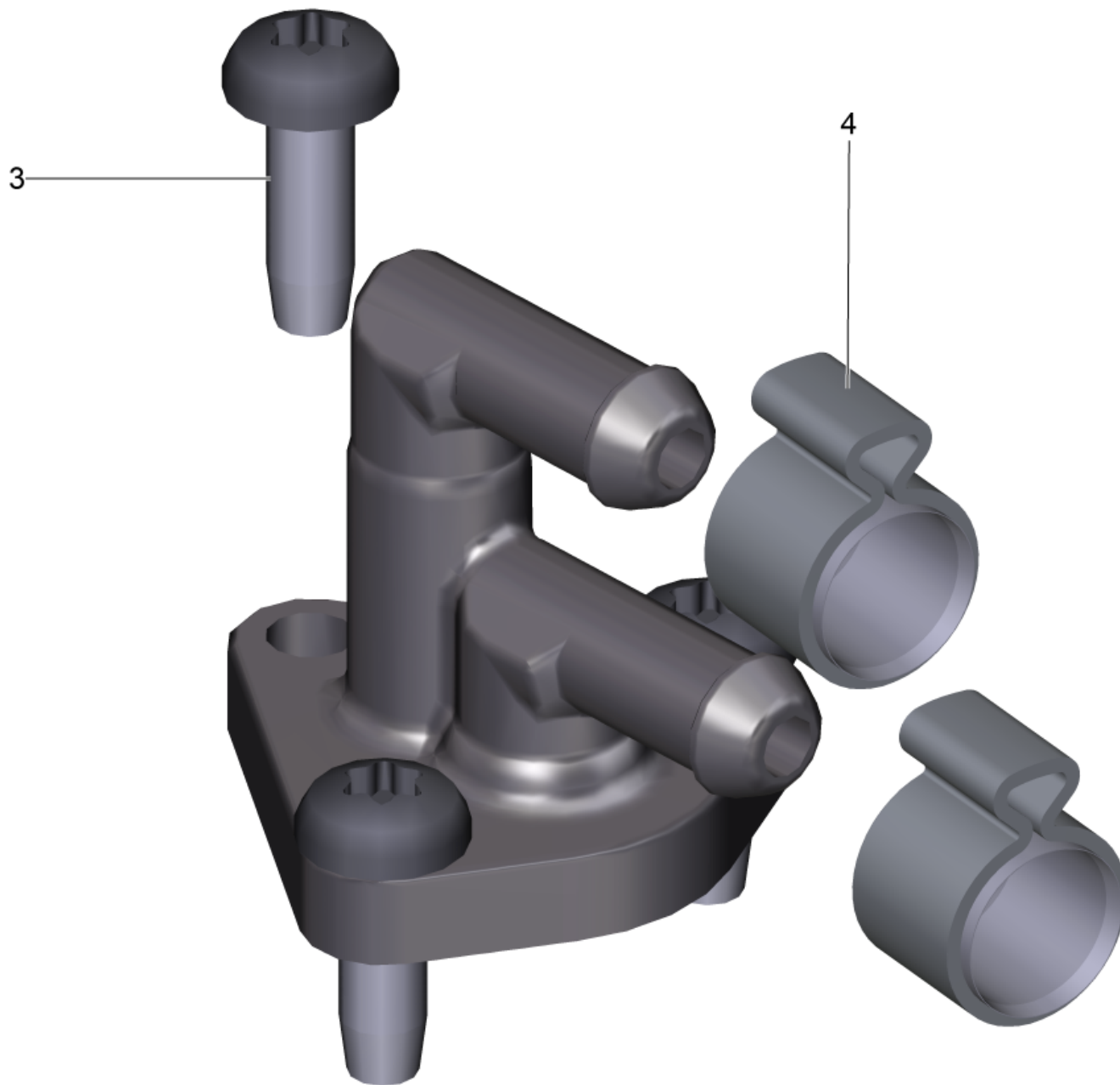
9003 Boiler complete replacement (4.070-884.0)

POS	Article no.	Description	Quantity	Unit	Foot note text
9000	6.630-483.0	Thermostat	1.000	ST	
9001	7.303-030.0	Screw M4x8 -St-P2R (In6Rd)	2.000	ST	
9002	4.512-028.0	Probe complete replacement	1.000	ST	
9004	6.303-324.0	M6 X 32 TORX DRIVE PAN HD SPECIAL POINT	5.000	ST	
9005	6.413-284.0	Pressure controller 0,4MPa	1.000	ST	
9006	6.651-519.0	Tab	1.000	ST	
9007	6.391-299.0	Hose	1.000	M	TO ORDER AS CUT GOODS



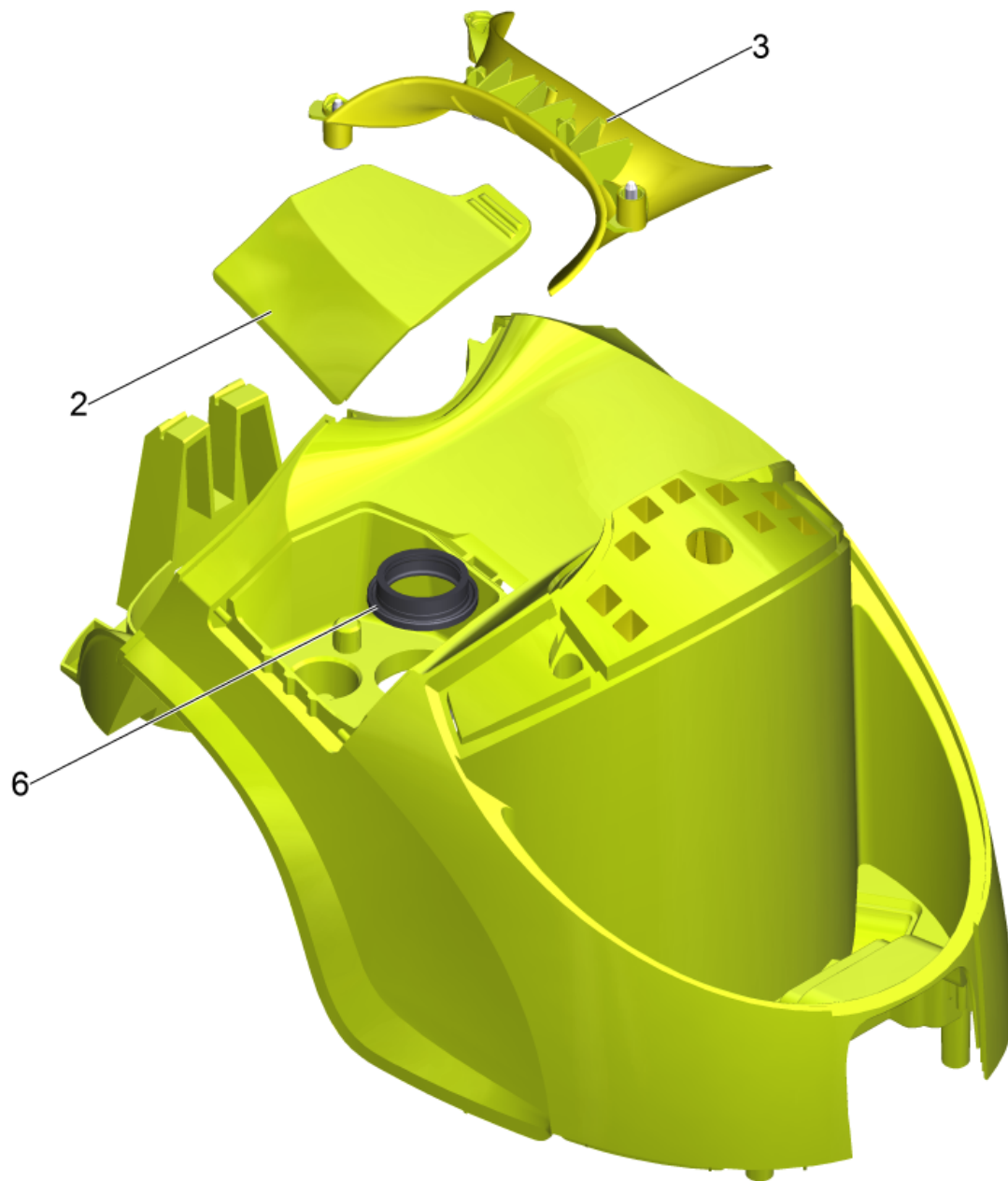
9005 Window nozzle special accessories (2.863-025.0)

POS	Article no.	Description	Quantity	Unit
3	5.512-125.0	Rubber lip	1.000	ST



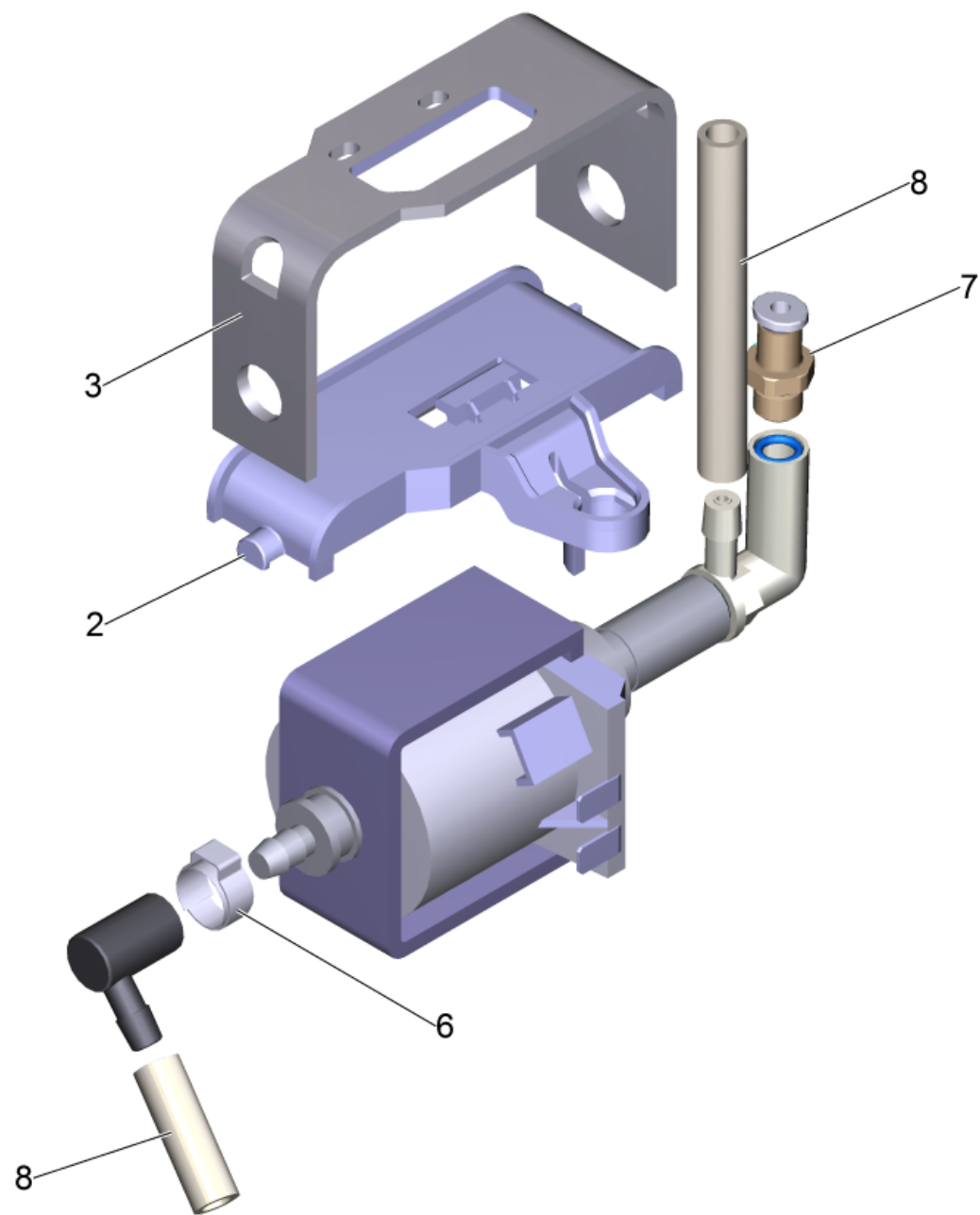
9009 Set double nipple replacement (4.509-001.0)

POS	Article no.	Description	Quantity	Unit
3	7.303-032.0	Screw M4x12 -St-R2R (In6Rd)	3.000	ST
4	6.389-882.0	Hose clip 8,5-10,0	2.000	ST



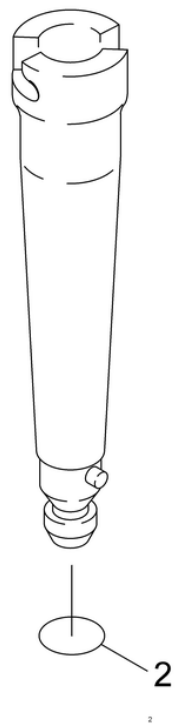
9011 Housing top part replacement SC 5.800 C (4.512-065.0)

POS	Article no.	Description	Quantity	Unit
2	5.512-115.0	Cover accessories yellow SC TOP DIY	1.000	ST
3	5.512-117.0	Carrier handle bottom part yellow SC TOP	1.000	ST
6	5.363-745.0	Seal connection piece M24	1.000	ST



9020 Pump complete E 503 (4.473-024.0)

POS	Article no.	Description	Quantity	Unit	Foot note text
2	5.512-109.0	Carrier pump SC Top	1.000	ST	
3	6.512-022.0	Rubber bearing pump E 503 SC Top	1.000	ST	
6	6.645-618.0	One ear clamp continuously variable 14,5	1.000	ST	
7	6.512-011.0	Plug-in connection nipple G1/8"	1.000	ST	
8	6.391-336.0	Hose	1.000	M	TO ORDER AS CUT GOODS



9021 Power nozzle (2.884-282.0)

POS	Article no.	Description	Quantity	Unit
2	6.362-924.0	O-Ring seal 6,02X 2,62	1.000	ST