

## **Spare parts list**

(1.184-800.0) NT 35/1 Tact \*EU

## Table of contents

---

NT 35/1 Tact *EU (1.184-800.0)	3
8 Spare parts list NT 35/1 Tact (5.970-656.0)	4
10 Cover	5
1 Cover complete only for replacement (4.066-365.0)	7
20 Turbine	9
1 Housing vacuum motor only for replacemen (4.605-088.0)	11
3 Vacuum motor 230V (6.490-215.0)	13
8 Housing complete only for replacement Ec (4.060-772.0)	14
30 Filter vibrator	16
4 Spare part set valve complete (2.884-981.0)	18
40 Tank individual parts	20
50 Accessories	22
51 Accessories	23
1 Repair set (2.639-690.0)	25
3 Spare parts list add-on kit hose couplin (5.958-671.0)	26
10 Add-on kit hose coupling	27
5 Suction hose C DN35 (4.440-626.0)	29
10 Repair set (2.639-690.0)	31
3 Spare parts list add-on kit hose couplin (5.958-671.0)	32
10 Add-on kit hose coupling	33
9 Floor tool DN35 (6.903-284.0)	35
52 Floor tool	37

NT 35/1 Tact \*EU (1.184-800.0)

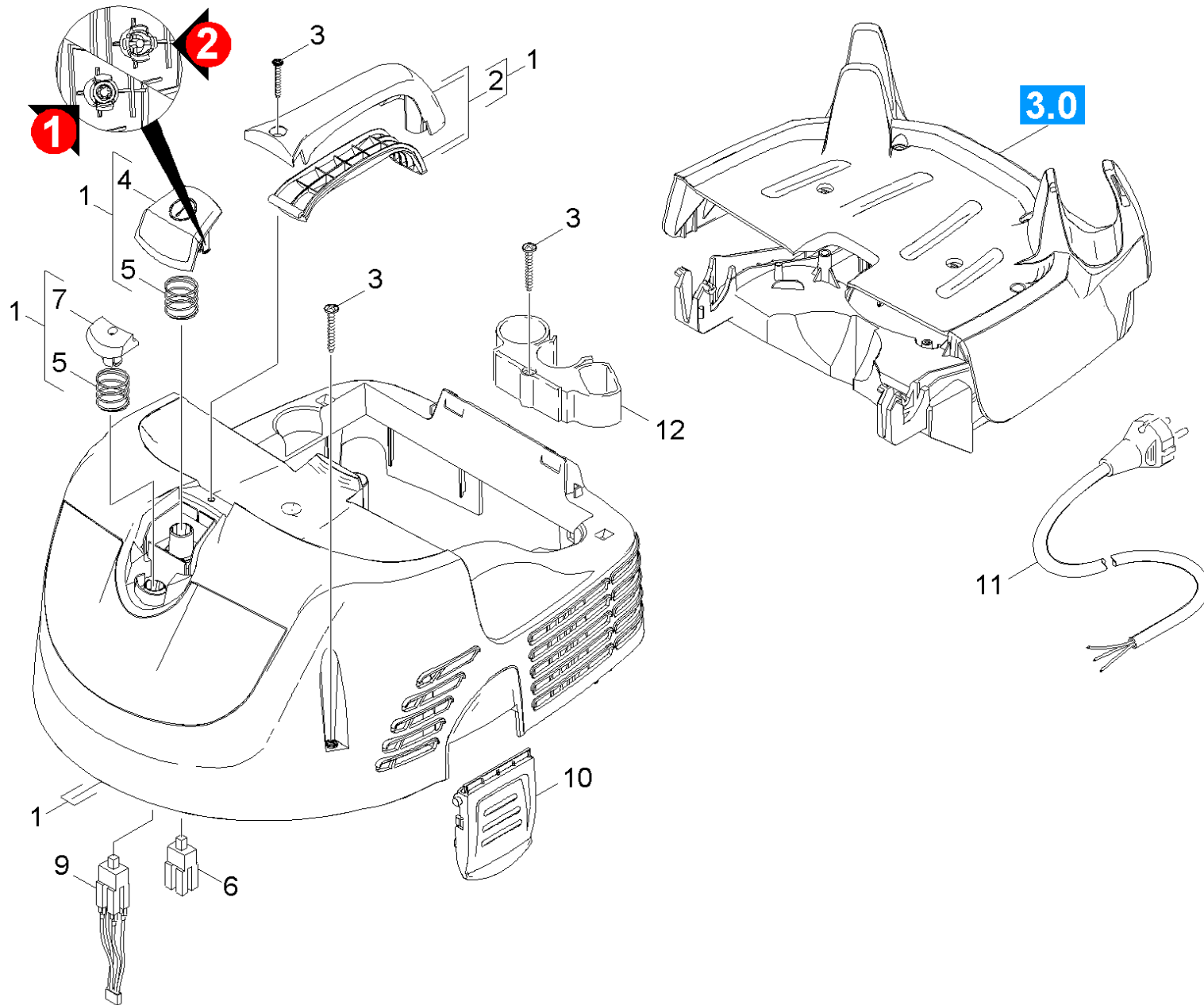
---

<b>POS</b>	<b>Article no.</b>	<b>Description</b>	<b>Quantity</b>	<b>Unit</b>
8	5.970-656.0	Spare parts list NT 35/1 Tact	1.000	ST

## 8 Spare parts list NT 35/1 Tact (5.970-656.0)

---

<b>POS</b>	<b>Description</b>	<b>Quantity</b>	<b>Unit</b>
10	Cover	1.000	ST
20	Turbine	1.000	ST
30	Filter vibrator	1.000	ST
40	Tank individual parts	1.000	ST
50	Accessories	1.000	ST



## 10 Cover

POS	Article no.	Description	Quantity	Unit	Remark	Foot note text
1	4.066-365.0	Cover complete only for replacement	1.000	ST		
2	4.321-213.0	Handhold complete only for replacement	1.000	ST		
3	7.303-086.0	Screw 5x30 -10.9-R2R (K-In6Rd)	5.000	ST		
4	5.324-124.0	Pushbutton on/off RAL 1018	1.000	ST		VERSION 1
4	5.324-124.0	Pushbutton on/off RAL 1018	1.000	ST		VERSION 2
5	5.332-934.0	Spring Pushbutton on/off	2.000	ST		
6	6.630-437.0	Switch on/off	1.000	ST		
7	4.324-032.0	Pushbutton complete only for replacement	1.000	ST		
9	6.630-416.0	Switch with LED	1.000	ST		
10	5.033-256.0	Strap closure	2.000	ST		
11	6.650-081.0	Power cable 7,5m Gummi *AUS	1.000	ST	/*AU	
11	6.650-082.0	Power cable 7,5m Gummi *GB	1.000	ST	/*GB	
11	6.650-080.0	Power cable 7,5m Gummi *CH	1.000	ST	/*CH	
11	6.650-079.0	Power cable 7,5m Gummi *EU	1.000	ST	/*EU	
	<b>Item text1:</b> 1.184-800.0					
11	6.648-233.0	Cable with plug *RA	1.000	ST	/*RA	
11	6.647-263.0	Power cable 7,5m PVC *EU	1.000	ST	/*EU	
	<b>Item text1:</b> 1.184-827.0					
12	5.031-603.0	Holder accessories	1.000	ST		

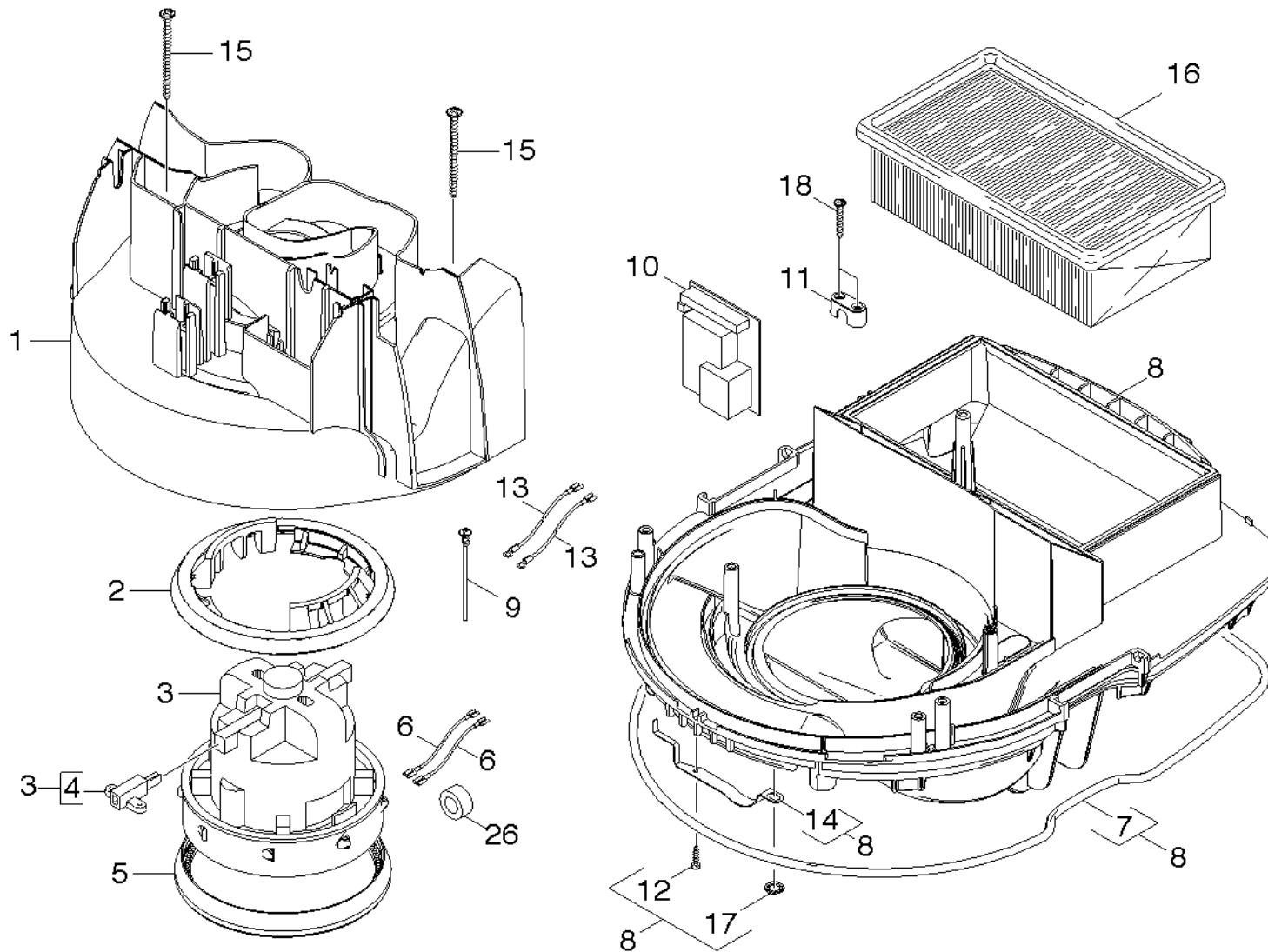


## 1 Cover complete only for replacement (4.066-365.0)

---

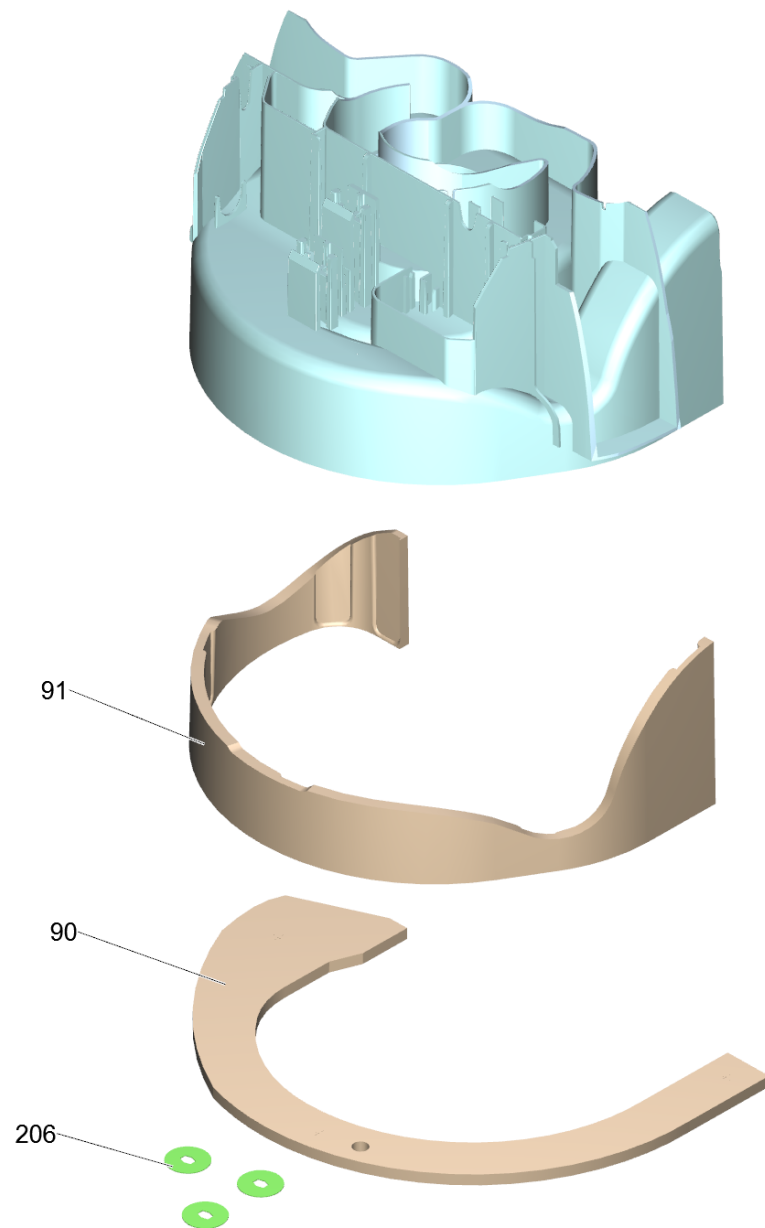
<b>POS</b>	<b>Article no.</b>	<b>Description</b>	<b>Quantity</b>	<b>Unit</b>
41	5.324-124.0	Pushbutton on/off RAL 1018	1.000	ST
42	4.324-032.0	Pushbutton complete only for replacement	1.000	ST
45	5.332-934.0	Spring Pushbutton on/off	2.000	ST
92	6.286-512.0	Insulating mat cover	1.000	ST
200	4.321-213.0	Handhold complete only for replacement	1.000	ST
201	7.303-086.0	Screw 5x30 -10.9-R2R (K-In6Rd)	2.000	ST
208	6.343-149.0	Quick-fastener	2.000	ST





## 20 Turbine

POS	Article no.	Description	Quantity	Unit	Foot note text
1	4.605-088.0	Housing vacuum motor only for replacemen	1.000	ST	
2	5.363-664.0	Seal vacuum motor above	1.000	ST	
3	6.490-215.0	Vacuum motor 230V	1.000	ST	
4	6.610-285.0	Carbon brush set	1.000	ST	
5	5.363-665.0	Seal vacuum motor bottom	1.000	ST	
6	6.649-809.0	Cable turbine	2.000	ST	
7	6.273-192.0	Cord cellular rubber D6	1.000	ST	
8	4.060-772.0	Housing complete only for replacement Ec	1.000	ST	
9	5.107-270.0	Probe	2.000	ST	
10	4.682-096.0	Circuit board packaged only for replacem	1.000	ST	
11	5.034-505.0	Retaining bracket cable	1.000	ST	
12	7.303-129.0	Screw 4x16 -10.9-R2R (K-In6Rd)	1.000	ST	
13	6.649-314.0	Cable probe light blue 0,5mm <sup>2</sup> x610mm	2.000	ST	
14	5.332-967.0	Spring electrically conducting	1.000	ST	
15	7.303-086.0	Screw 5x30 -10.9-R2R (K-In6Rd)	2.000	ST	
16	6.907-455.0	Flat-pleated filter packaged PTFE	1.000	ST	SPECIAL ACCESSORIES
16	6.904-367.0	Flat filter only for replacement Kaerche	1.000	ST	
17	6.343-169.0	Quick-fastener	1.000	ST	
18	7.303-096.0	Screw 4x22 -ST-10.9-R2R (IN6RD)	2.000	ST	
26	6.346-043.0	Ferrite ring	1.000	ST	



1 Housing vacuum motor only for replacemen (4.605-088.0)

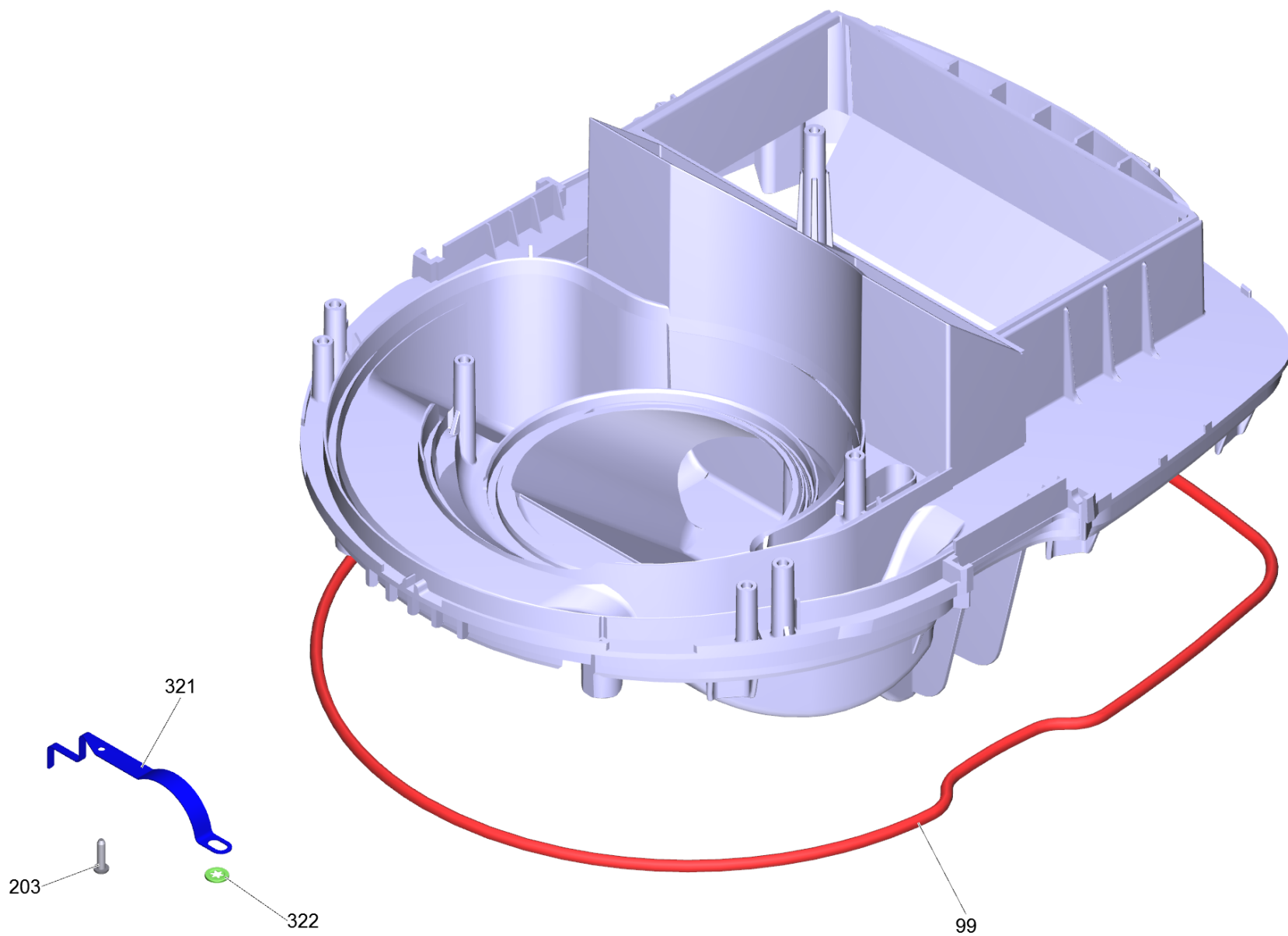
---

<b>POS</b>	<b>Article no.</b>	<b>Description</b>	<b>Quantity</b>	<b>Unit</b>
90	6.286-510.0	Insulating mat housing vacuum motor 1	1.000	ST
91	6.286-511.0	Insulating mat housing vacuum motor 2	1.000	ST
206	9.496-205.0	Lock washer Ø 4,8x19	3.000	ST

3 Vacuum motor 230V (6.490-215.0)

---

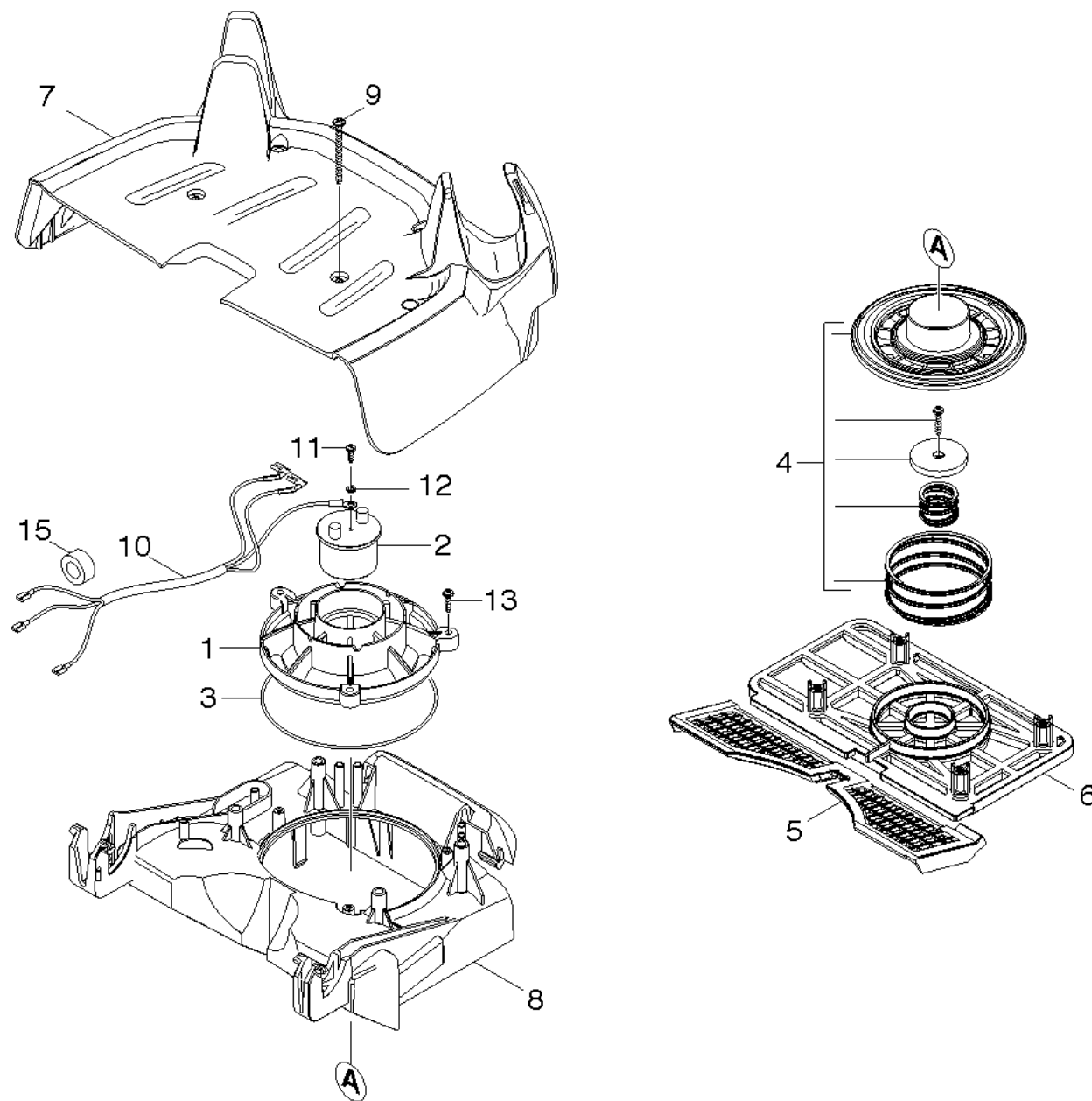
<b>POS</b>	<b>Article no.</b>	<b>Description</b>	<b>Quantity</b>	<b>Unit</b>	<b>Serial number to</b>
999	6.610-285.0	Carbon brush set	1.000	ST	40000



8 Housing complete only for replacement Ec (4.060-772.0)

---

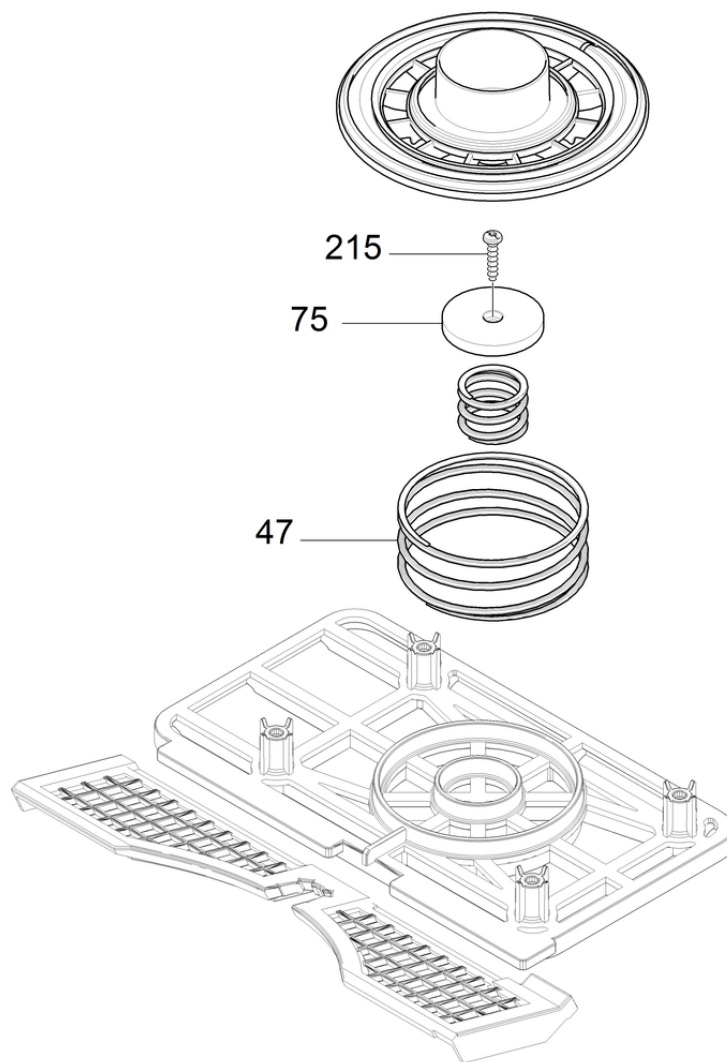
<b>POS</b>	<b>Article no.</b>	<b>Description</b>	<b>Quantity</b>	<b>Unit</b>
99	6.273-192.0	Cord cellular rubber D6	1.000	ST
203	7.303-129.0	Screw 4x16 -10.9-R2R (K-In6Rd)	1.000	ST
321	5.332-967.0	Spring electrically conducting	1.000	ST
322	6.343-169.0	Quick-fastener	1.000	ST





### 30 Filter vibrator

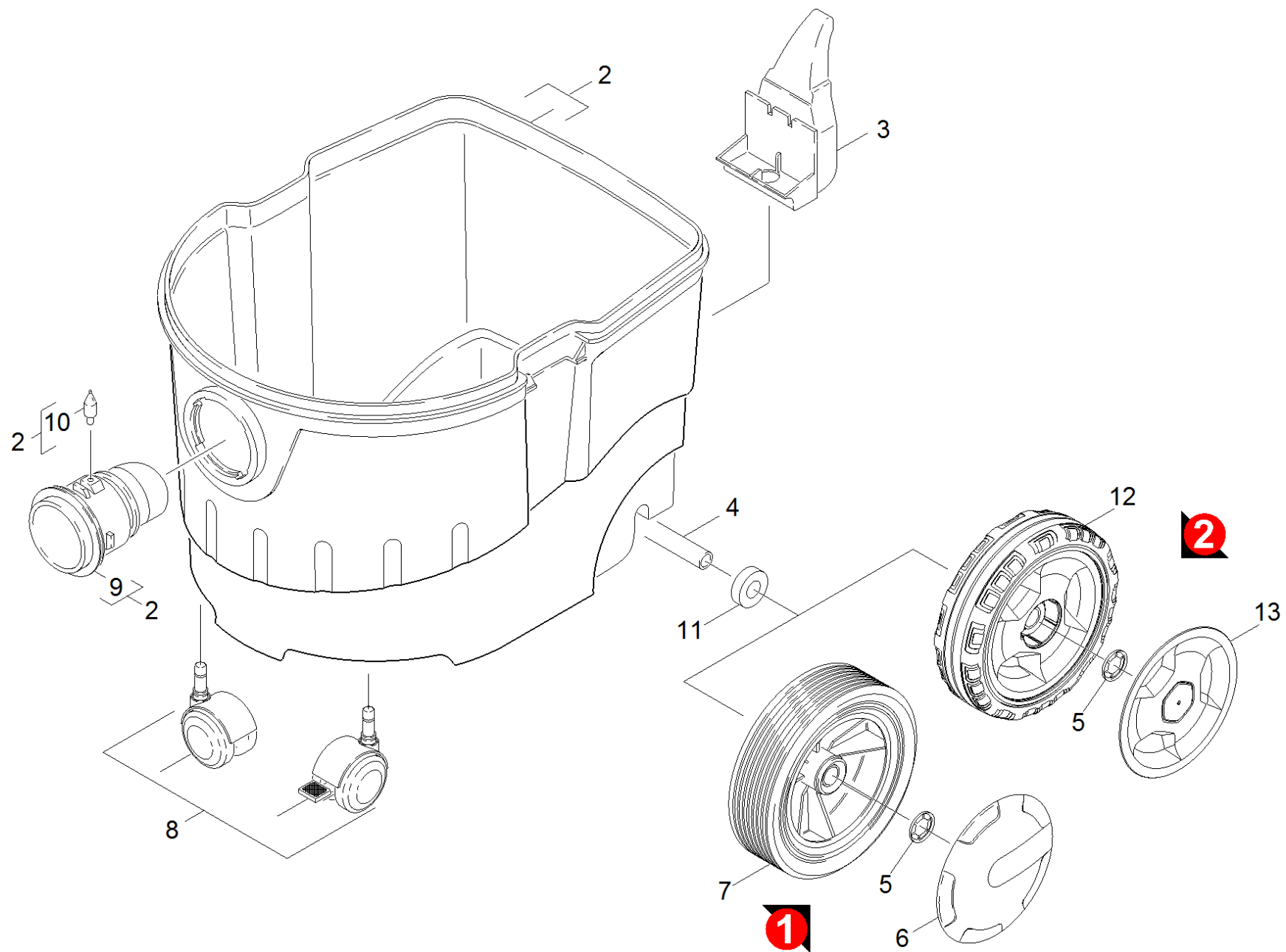
POS	Article no.	Description	Quantity	Unit	Serial number from	Serial number to
1	5.043-105.0	Holder magnet	1.000	ST	40001	
1	5.044-838.0	Holder magnet	1.000	ST		40000
2	6.653-009.0	Magnet 230V	1.000	ST		
3	6.362-447.0	O-Ring seal 115,0 X 1,78-NBR 70	1.000	ST		
4	2.884-981.0	Spare part set valve complete	1.000	ST		
5	5.363-661.0	Seal supply air	1.000	ST		
6	5.044-821.0	Holder spring	1.000	ST		
7	5.064-434.0	Covering cap cover filter	1.000	ST	40001	
7	5.064-206.0	Covering cap cover filter	1.000	ST		40000
8	5.064-435.0	Cover filter	1.000	ST	40001	
8	5.064-207.0	Cover filter	1.000	ST		40000
9	7.303-171.0	Screw 5x80 -10.9-R2R (K-In6Rd)	4.000	ST		
10	6.649-808.0	Cable magnet	1.000	ST		
11	7.303-030.0	Screw M4x8 -St-P2R (In6Rd)	1.000	ST		
12	7.312-039.0	Serrated lock washer A4,3-1.4310 DIN 67	1.000	ST		
13	7.303-095.0	Screw 4x 12-ST-10.9-R2R (IN6RD)	3.000	ST		
15	6.346-043.0	Ferrite ring	1.000	ST		



#### 4 Spare part set valve complete (2.884-981.0)

---

<b>POS</b>	<b>Article no.</b>	<b>Description</b>	<b>Quantity</b>	<b>Unit</b>
47	5.332-975.0	Spring soft	1.000	ST
75	5.582-140.0	Valve disc	1.000	ST
215	6.303-568.0	Oval head screw with hexalobular socket	1.000	ST



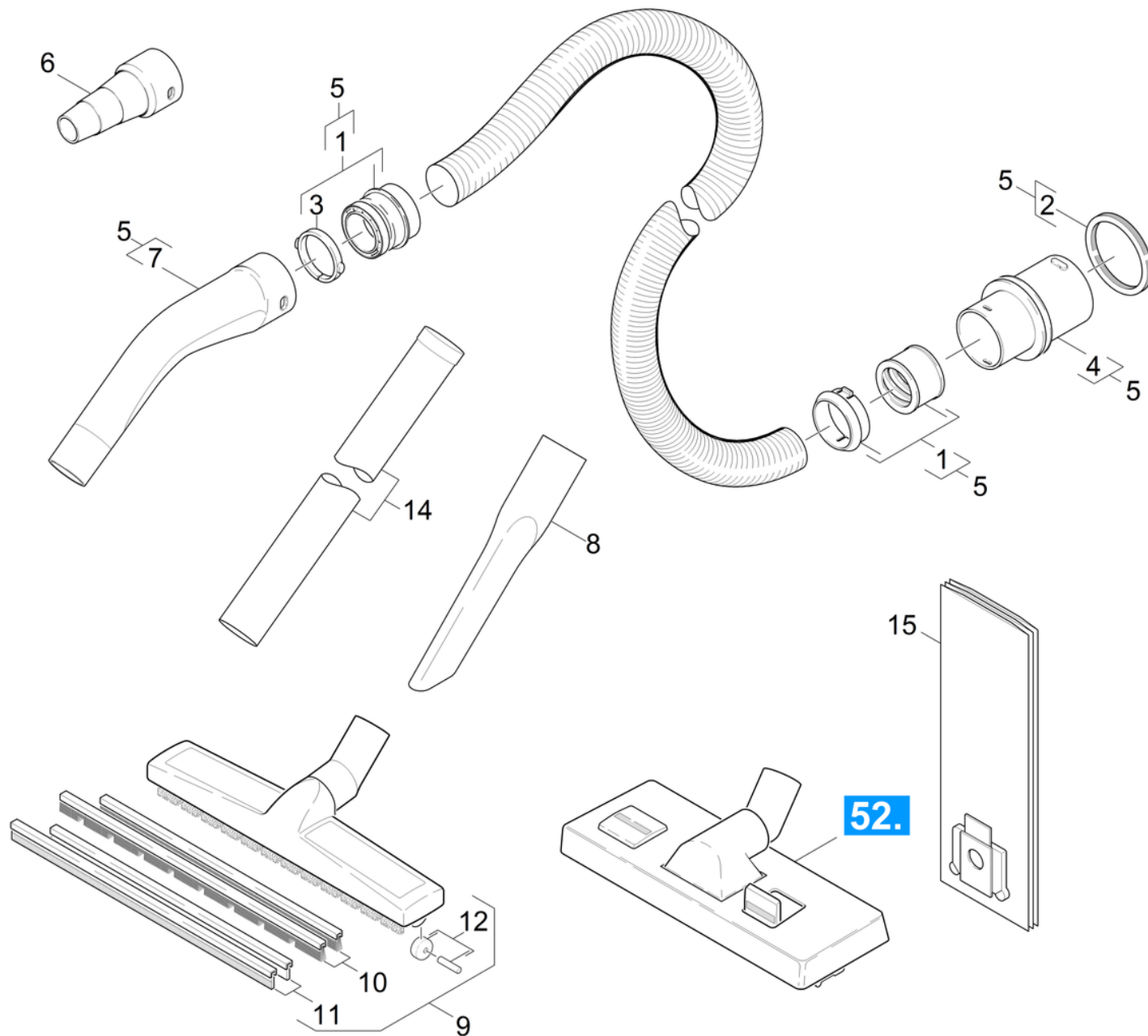
## 40 Tank individual parts

POS	Article no.	Description	Quantity	Unit	Foot note text
2	4.070-447.0	Tank complete	1.000	ST	
3	5.031-604.0	Holder floor nozzle	1.000	ST	
4	5.105-603.0	Axle	1.000	ST	
5	6.343-168.0	Lock washer	2.000	ST	
6	6.435-197.0	Wheel cap zinc yellow	2.000	ST	VERSION 1
7	6.435-196.0	Wheel D 180	2.000	ST	VERSION 1
8	2.889-003.0	Set castor	1.000	ST	
9	5.031-857.0	Suction connection EL.	1.000	ST	
10	5.316-974.0	Bolt electrically conducting	1.000	ST	
11	5.112-813.0	Spacer sleeve	2.000	ST	
12	5.515-361.0	Wheel D180	2.000	ST	VERSION 2
13	5.392-981.0	Wheel cap large	2.000	ST	VERSION 2

## 50 Accessories

---

<b>POS</b>	<b>Description</b>	<b>Quantity</b>	<b>Unit</b>
51	Accessories	1.000	ST
52	Floor tool	1.000	ST



## 51 Accessories

POS	Article no.	Description	Quantity	Unit	Remark	Foot note text
1	2.639-690.0	Repair set	1.000	ST		
2	6.273-009.0	Joint ring EPDM	1.000	ST		
3	5.031-703.0	Tension ring C35	1.000	ST		
4	5.443-464.0	Hosebarb	1.000	ST		
5	4.440-626.0	Suction hose C DN35	1.000	ST	*EU/*GB	
5	4.440-653.0	Suction hose CDN 35	1.000	ST	*CH	
6	5.453-042.0	Sleeve for tool C35EL	1.000	ST		
7	5.031-939.0	Elbow	1.000	ST	*CH	
7	5.031-718.0	Elbow	1.000	ST	*EU/*GB	
8	6.906-240.0	Crevice nozzle DN35	1.000	ST		
9	6.903-284.0	Floor tool DN35	1.000	ST		
10	6.903-278.0	Brush strips set	1.000	ST		
11	6.903-277.0	Set suction lips	1.000	ST		
12	4.515-342.0	Roller complete with axle	2.000	ST		
14	6.902-154.0	Suction tube stainless steel NW35 - 505m	2.000	ST		STAINLESS STEEL CONSTRUCTION
14	6.900-514.0	Suction tube DN35	2.000	ST		chromed
15	6.907-479.0	Set filter bags-fleece 35L	1.000	ST		
	<b>Item text1:</b> 1.184-851.0					
15	6.904-210.0	Filter bag 5St.	1.000	ZSA		



1 Repair set (2.639-690.0)

---

POS	Article no.	Description	Quantity	Unit
3	5.958-671.0	Spare parts list add-on kit hose couplin	1.000	ST
<b>Item text2:</b> 26396900				

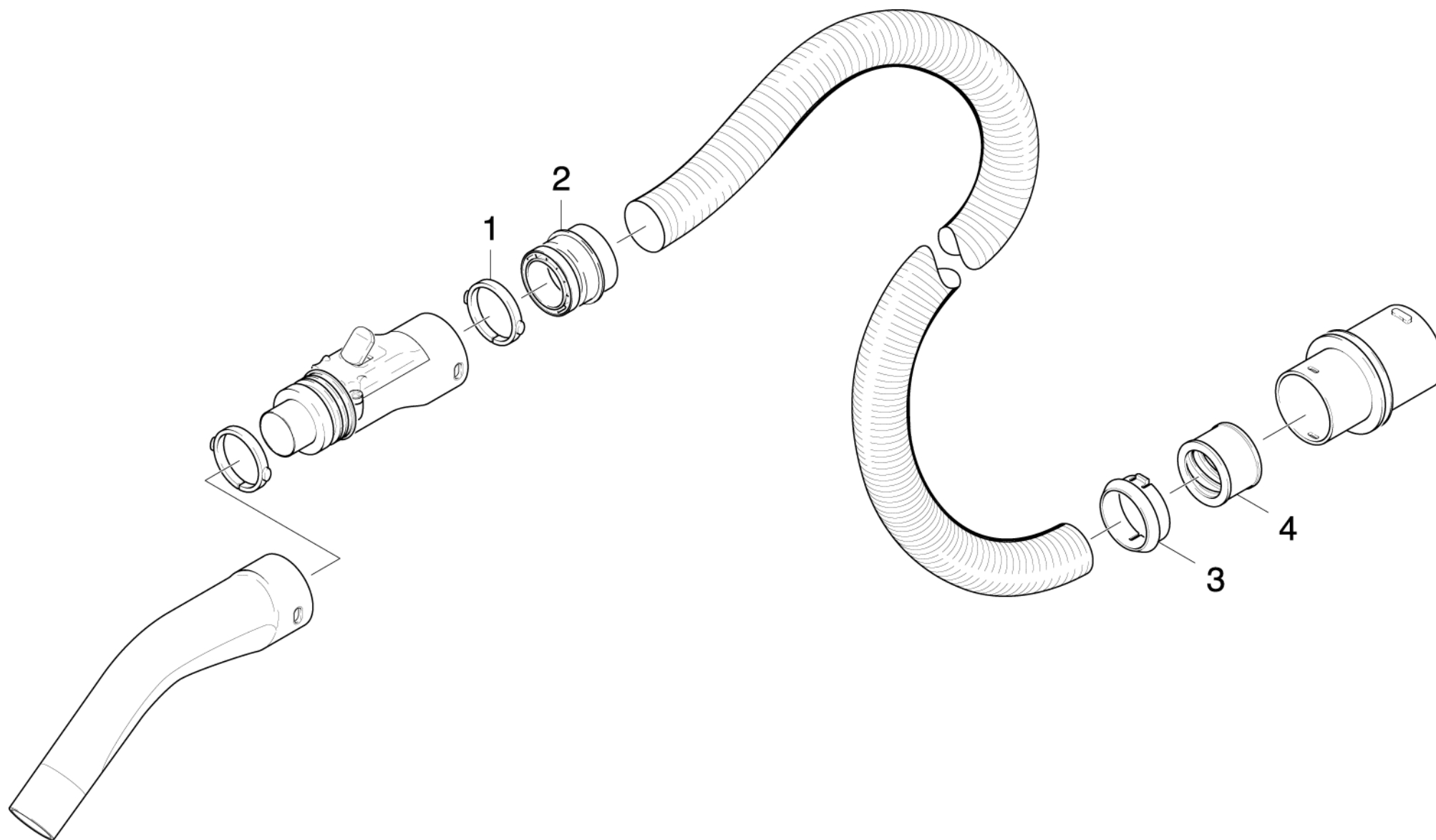
---

### 3 Spare parts list add-on kit hose couplin (5.958-671.0)

---

<b>POS</b>	<b>Description</b>	<b>Quantity</b>	<b>Unit</b>
10	Add-on kit hose coupling	1.000	ST

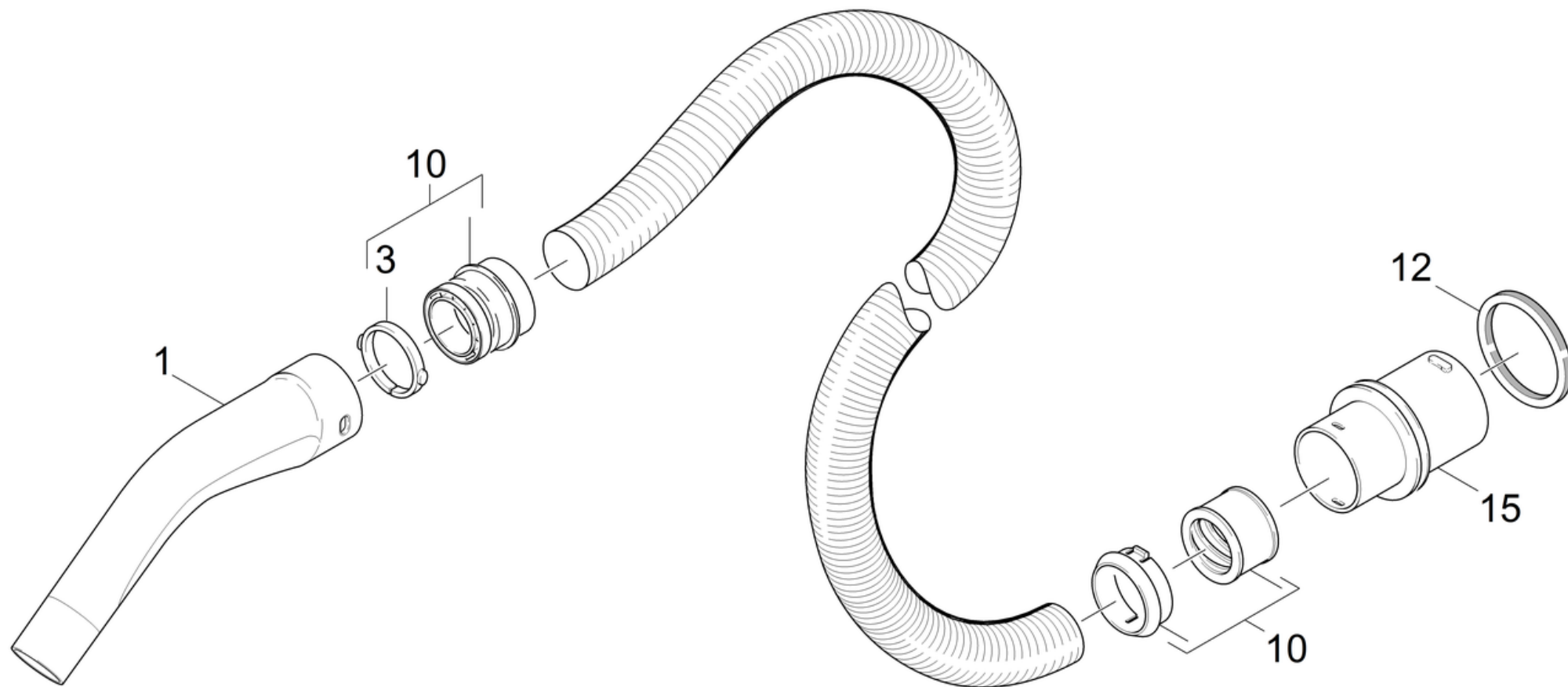
---



## 10 Add-on kit hose coupling

---

<b>POS</b>	<b>Article no.</b>	<b>Description</b>	<b>Quantity</b>	<b>Unit</b>
1	5.031-703.0	Tension ring C35	1.000	ST
2	5.406-019.0	Threaded ring C35EL	1.000	ST
3	6.902-065.0	Clamp sleeve	1.000	ST
4	6.902-112.0	Threaded ring	1.000	ST



## 5 Suction hose C DN35 (4.440-626.0)

---

<b>POS</b>	<b>Article no.</b>	<b>Description</b>	<b>Quantity</b>	<b>Unit</b>
1	5.031-718.0	Elbow	1.000	ST
3	5.031-703.0	Tension ring C35	1.000	ST
10	2.639-690.0	Repair set	1.000	ST
12	6.273-009.0	Joint ring EPDM	1.000	ST
15	5.443-464.0	Hosebarb	1.000	ST

10 Repair set (2.639-690.0)

---

POS	Article no.	Description	Quantity	Unit
3	5.958-671.0	Spare parts list add-on kit hose couplin	1.000	ST
	Item text2: 26396900			

---

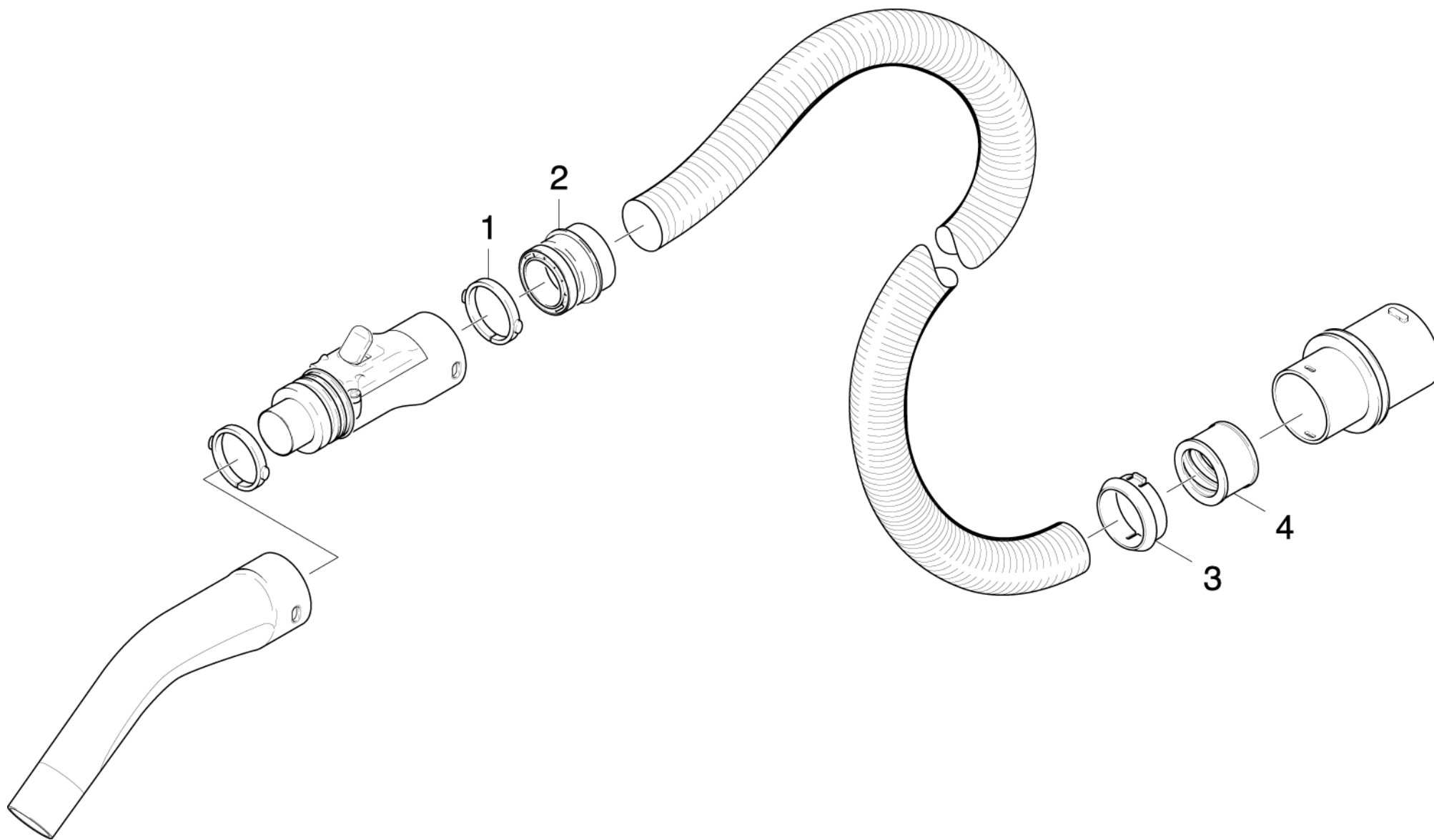
### 3 Spare parts list add-on kit hose couplin (5.958-671.0)

---

<b>POS</b>	<b>Description</b>	<b>Quantity</b>	<b>Unit</b>
10	Add-on kit hose coupling	1.000	ST

---

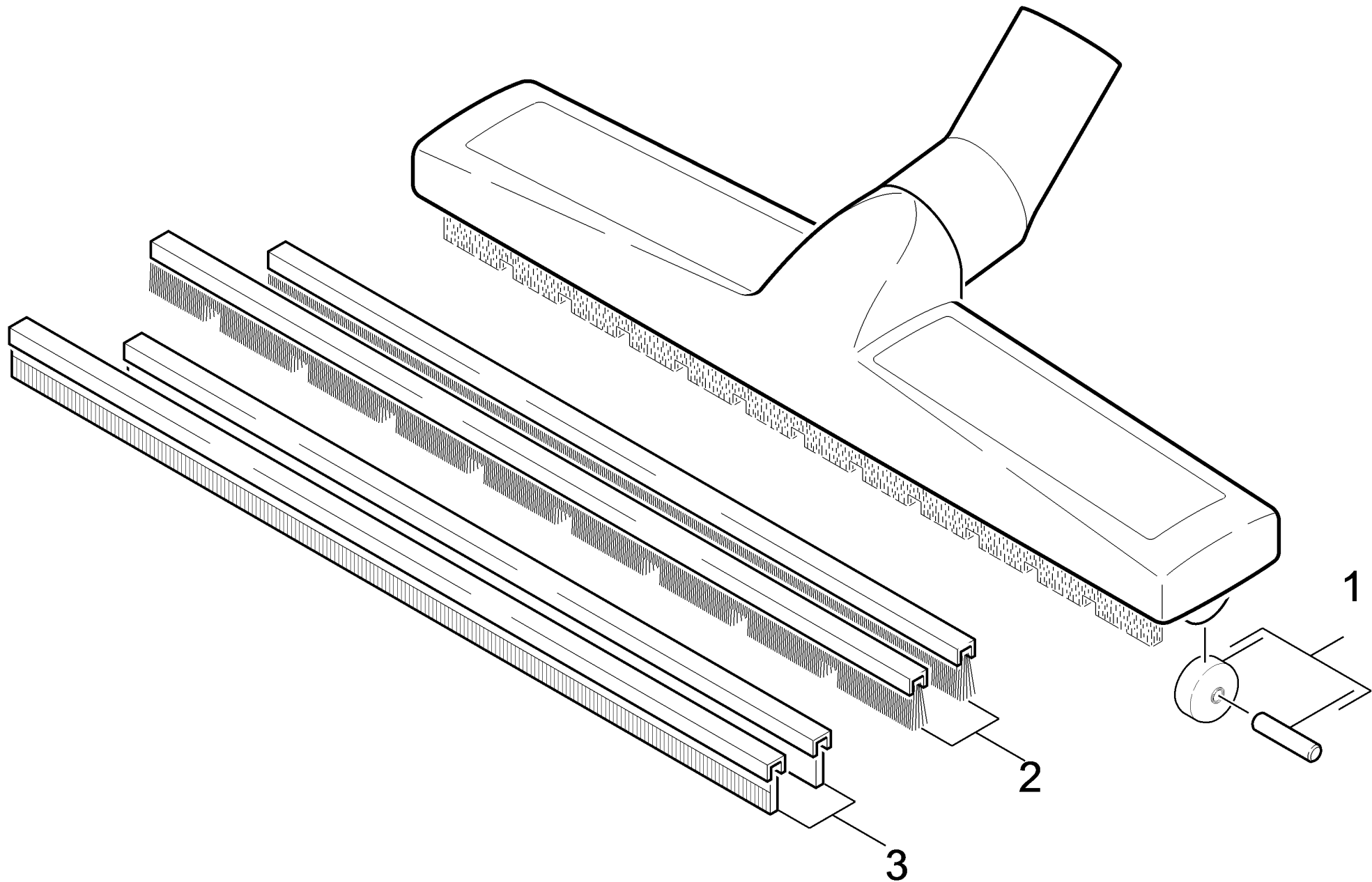




## 10 Add-on kit hose coupling

---

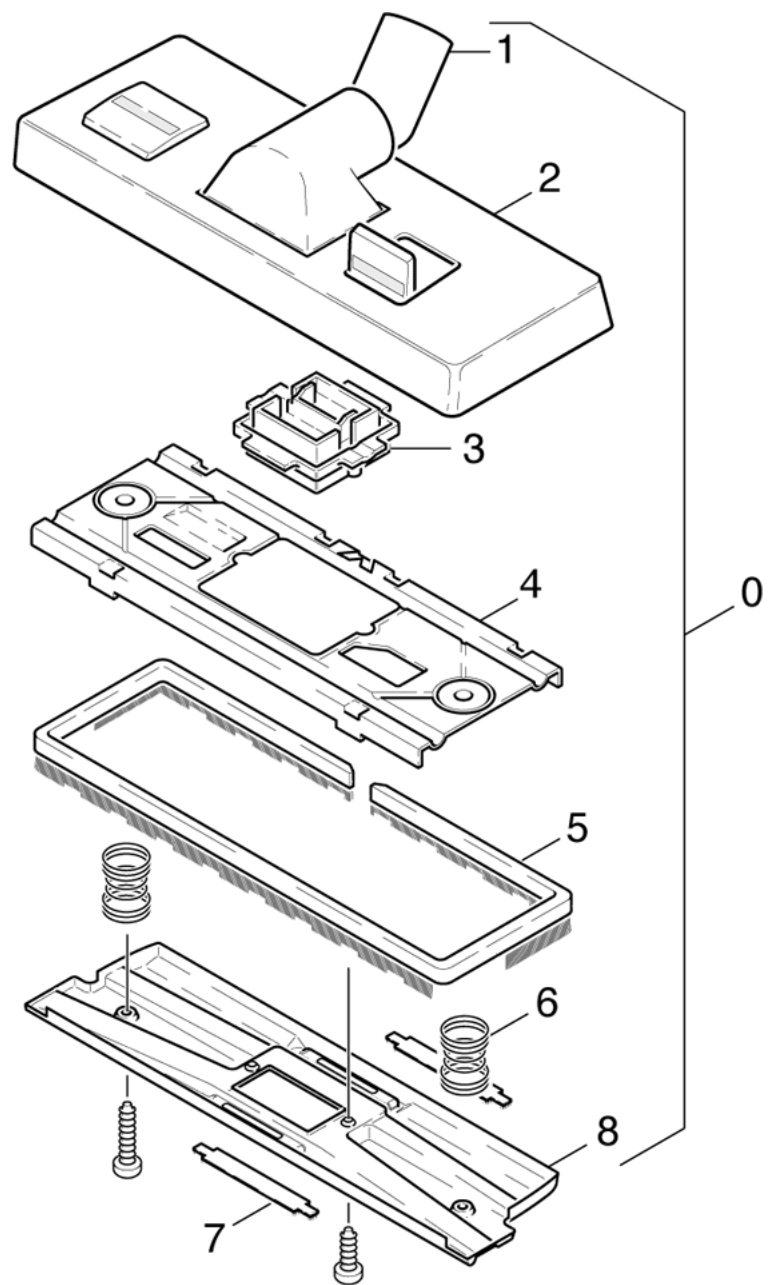
<b>POS</b>	<b>Article no.</b>	<b>Description</b>	<b>Quantity</b>	<b>Unit</b>
1	5.031-703.0	Tension ring C35	1.000	ST
2	5.406-019.0	Threaded ring C35EL	1.000	ST
3	6.902-065.0	Clamp sleeve	1.000	ST
4	6.902-112.0	Threaded ring	1.000	ST



9 Floor tool DN35 (6.903-284.0)

---

<b>POS</b>	<b>Article no.</b>	<b>Description</b>	<b>Quantity</b>	<b>Unit</b>
1	4.515-342.0	Roller complete with axle	2.000	ST
2	6.903-278.0	Brush strips set	1.000	ST
3	6.903-277.0	Set suction lips	1.000	ST



## 52 Floor tool

---

<b>POS</b>	<b>Article no.</b>	<b>Description</b>	<b>Quantity</b>	<b>Unit</b>
0	6.906-511.0	Combination nozzle DN35	1.000	ST
1	6.905-411.0	Joint complete	1.000	ST
2	6.905-412.0	Top part complete	1.000	ST
3	6.905-413.0	Spacer	1.000	ST
4	6.905-414.0	Plate	1.000	ST
5	6.905-415.0	Brush strip	1.000	ST
6	6.905-416.0	Spring	2.000	ST
7	6.905-417.0	Thread clipper	2.000	ZSA
8	6.905-418.0	Bottom part	1.000	ST