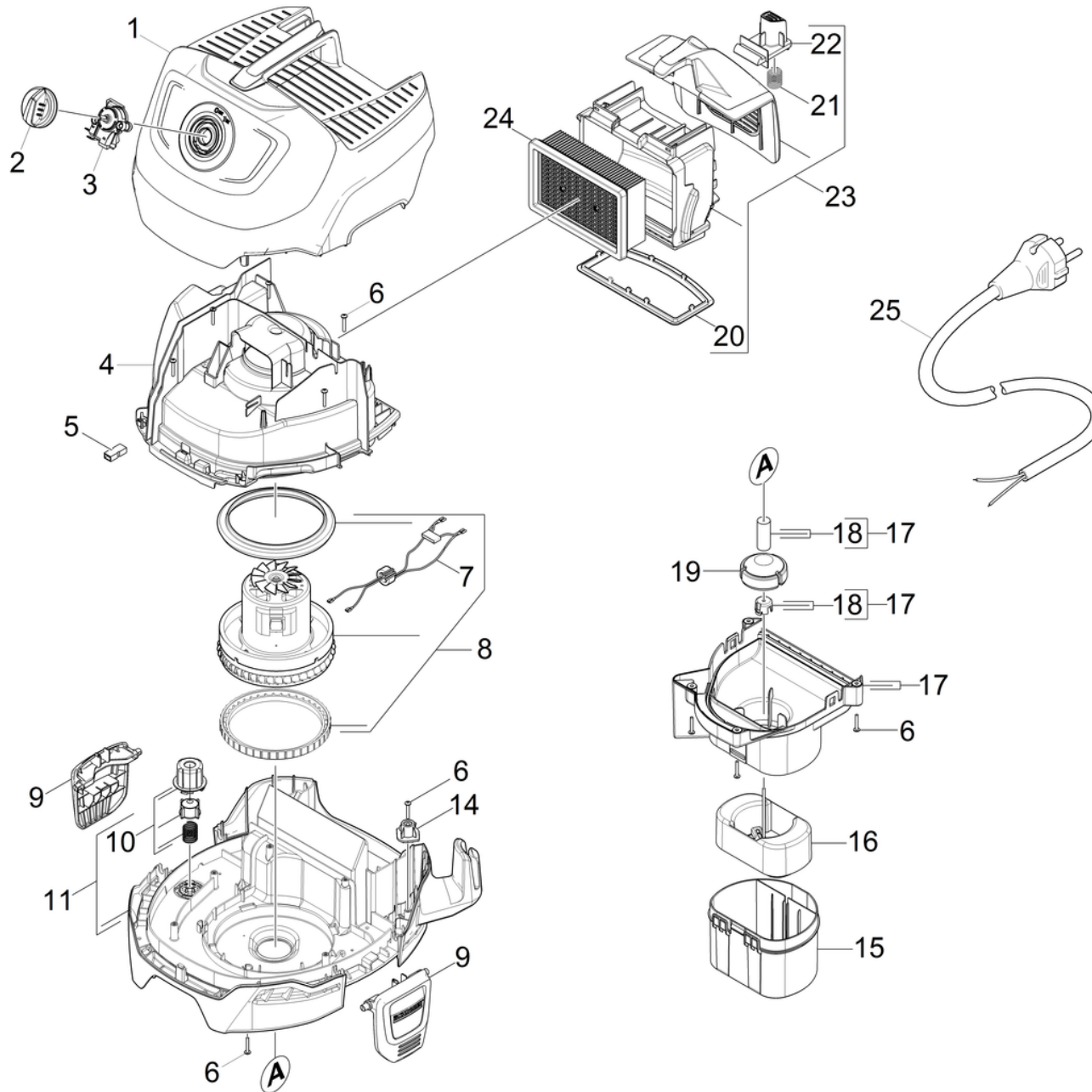


10 Appliance individual parts

Home and Garden \ Vacuum cleaner \ Wet-/Dry vacuum cleanerwet \ WD vacuum cleaner \ Appliance individual parts



10 Appliance individual parts

Home and Garden \ Vacuum cleaner \ Wet-/Dry vacuum cleanerwet \ WD vacuum cleaner \ Appliance individual parts



POS	Preces Nr.	Apraksts	Quantity	Unit	Piezīme
4	9.038-268.0	Air circulation	1.000	ST	
25	9.084-301.0	Cable 5,5m 2x0,75 *CH	1.000	ST	*CH
7	9.084-343.0	Cable ferrite ring complete KCL	1.000	ST	
25	9.084-154.0	Cable H05V-F 2X0,75 A2204 *EU	1.000	ST	*EU
5	9.085-094.0	Connection	1.000	ST	
17	9.002-033.0	Cover float complete WD 4	1.000	ST	
1	9.002-044.0	Cover neutrally spare part WD 4	1.000	ST	
3	9.012-820.0	E-kaste, mazā	1.000	ST	
11	9.002-035.0	Engine holder complete WD 4	1.000	ST	
24	2.863-005.0	Falt-pleated filter packaged MV 4/5/6	1.000	ST	
22	9.038-282.0	Fbox button WD4	1.000	ST	
20	9.079-080.0	Fbox Sealing	1.000	ST	
23	9.002-037.0	Filter box complete WD 4	1.000	ST	
15	9.038-264.0	Float cage	1.000	ST	
16	9.002-032.0	Float complete WD 4	1.000	ST	
19	9.038-070.0	Float valve	1.000	ST	
9	9.038-275.0	Locking clip	2.000	ST	
2	9.037-750.0	Poga	1.000	ST	
10	9.002-036.0	Safety valve complete WD 4	1.000	ST	
6	6.303-150.0	Screw 4,2x 22	12.000	ST	
18	9.002-034.0	Seal float complete WD 4	1.000	ST	
21	9.047-111.0	Spring WD	1.000	ST	
14	9.036-997.0	Strain relief	1.000	ST	
8	4.490-017.0	Vacuum motor complete for replacement Cu	1.000	ST	