

Spare parts list

(1.170-114.0) HDS 558C-FLAMM *EU

Table of contents

HDS 558C-FLAMM *EU (1.170-114.0)	4
142 Spare parts list HDS 558 C (5.958-371.0)	5
10 Individual parts	6
11 Cover	7
12 Frame	9
20 Pump set	11
21 Piston	12
22 Cylinder head	14
10 Piston complete only for replacement (4.553-197.0)	18
25 Piston complete only for replacement (4.553-198.0)	20
32 Valve (3 Stueck) (2.884-512.0)	22
100 Spare part set pump HDS 558 C/HDS 698 C (2.883-891.0)	24
20 Valve (3 Stueck) (2.884-512.0)	25
23 Pump set	27
30 Motor	29
31 Bracket motor	30
32 Motor	32
33 Motor	34
40 Blower	36
50 Fuel pump	38
60 Electric control box	40
61 Electric control box	41
62 Electric control box	44
63 Switch	46
Switch complete (4.744-109.0)	48
70 Flow heater	50
71 Mounting parts	51
72 Burner cover	53
16 Conversion kit ignition electrode (2.638-974.0)	55
25 Cover pressure boiler (4.654-218.0)	57
73 Heating coil	59
74 Burner bottom	61
4 Bottom pressure boiler (4.655-044.0)	63
80 Float chest	65
90 Safety system	68
91 Safety system	69
92 Safety system	71
100 Chemistry	73

Table of contents

110 Accessories	75
111 Hand trigger gun	76
100 Spare parts set (2.883-888.0)	79
101 Spare part set (2.883-903.0)	80
112 Hand trigger gun	81
4 Lever complete (4.481-209.0)	83
113 Hand trigger gun	85
100 HDS 1290 GUN KIT (2.883-014.0)	87
114 Hand trigger gun	88
1 Hand trigger gun (4.775-466.0)	90
60 Adapter pipelines AVS-M22x1,5 (4.421-739.3)	92
9002 Lever complete (4.481-209.0)	94
5 Lever complete (4.481-209.0)	96
9 Adapter pipelines AVS-M22x1,5 (4.421-739.3)	98
115 Jet pipe	100
8 Jet pipe packaged only for replacement (4.760-660.0)	102
10 Power nozzle only for replacement 25034 (2.883-803.0)	104
116 Jet pipe	105
Jet pipe packaged only for replacement (4.760-660.0)	107
7 Power nozzle only for replacement 25034 (2.883-803.0)	109
117 Jet pipe	110
1 Jet pipe packaged only for replacement (4.760-660.0)	112
9 Power nozzle only for replacement 25034 (2.883-803.0)	114
118 High pressure hose	115
120 Accessories	117
121 Hand trigger gun	118
122 Hand trigger gun	120
5 Lever complete (4.481-209.0)	122
123 Jet pipe	124
130 Flame guard	126

HDS 558C-FLAMM *EU (1.170-114.0)

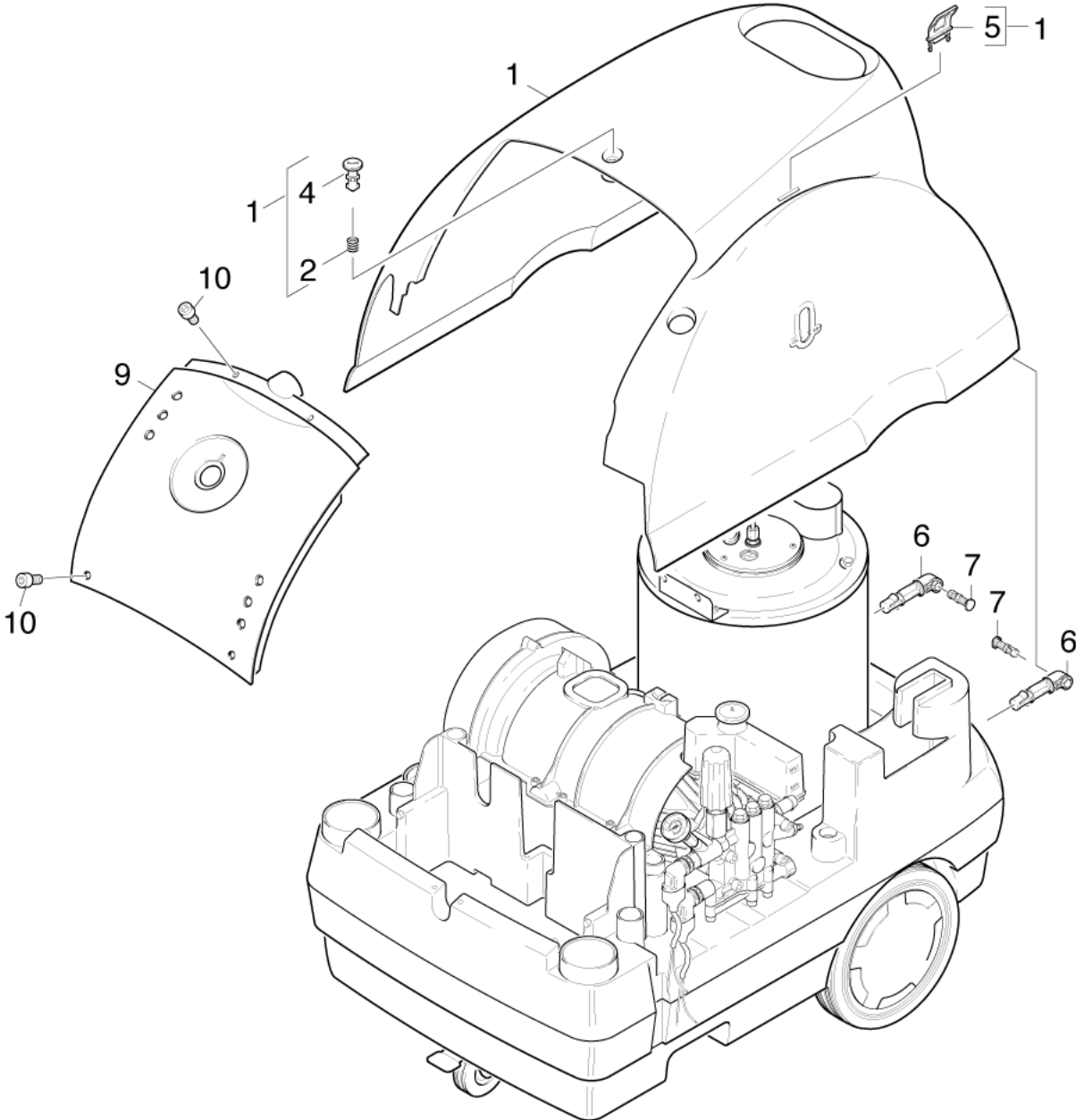
POS	Article no.	Description	Quantity	Unit
142	5.958-371.0	Spare parts list HDS 558 C	1.000	ST
	Item text2: 11701140			

142 Spare parts list HDS 558 C (5.958-371.0)

POS	Description	Quantity	Unit
110	Accessories	1.000	ST
120	Accessories	1.000	ST
40	Blower	1.000	ST
100	Chemistry	1.000	ST
60	Electric control box	1.000	ST
130	Flame guard	1.000	ST
80	Float chest	1.000	ST
70	Flow heater	1.000	ST
50	Fuel pump	1.000	ST
10	Individual parts	1.000	ST
30	Motor	1.000	ST
20	Pump set	1.000	ST
90	Safety system	1.000	ST

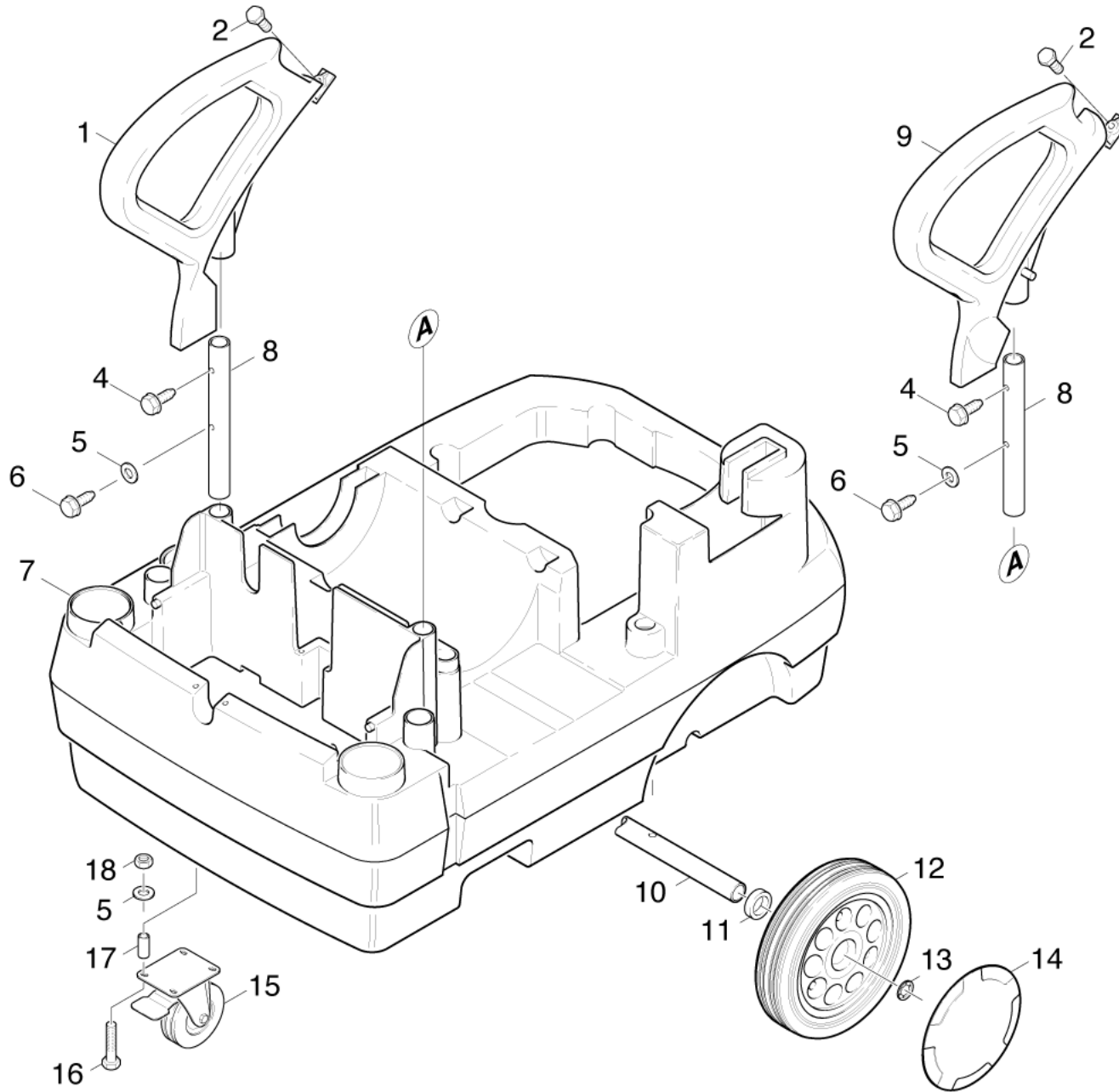
10 Individual parts

POS	Description	Quantity	Unit
11	Cover	1.000	ST
12	Frame	1.000	ST



11 Cover

POS	Article no.	Description	Quantity	Unit
7	5.317-291.0	Bolt	2.000	ST
4	5.316-318.0	Bolt	1.000	ST
9	5.841-365.0	Control panel	1.000	ST
	Item text1: / 1.170-101.0 / -102.0 / -103.0			
	Item text2: / -110.0 / -115.0 / -201.0			
1	4.067-048.0	Device cover complete	1.000	ST
2	5.332-236.0	Helical spring	1.000	ST
6	5.044-196.0	Holder	2.000	ST
5	5.044-216.0	Holder	1.000	ST
9	5.841-410.0	Material 3.	1.000	ST
	Item text1: / 1.170-104.0 / -111.0			
10	7.303-086.0	Screw 5x30 -10.9-R2R (K-In6Rd)	4.000	ST

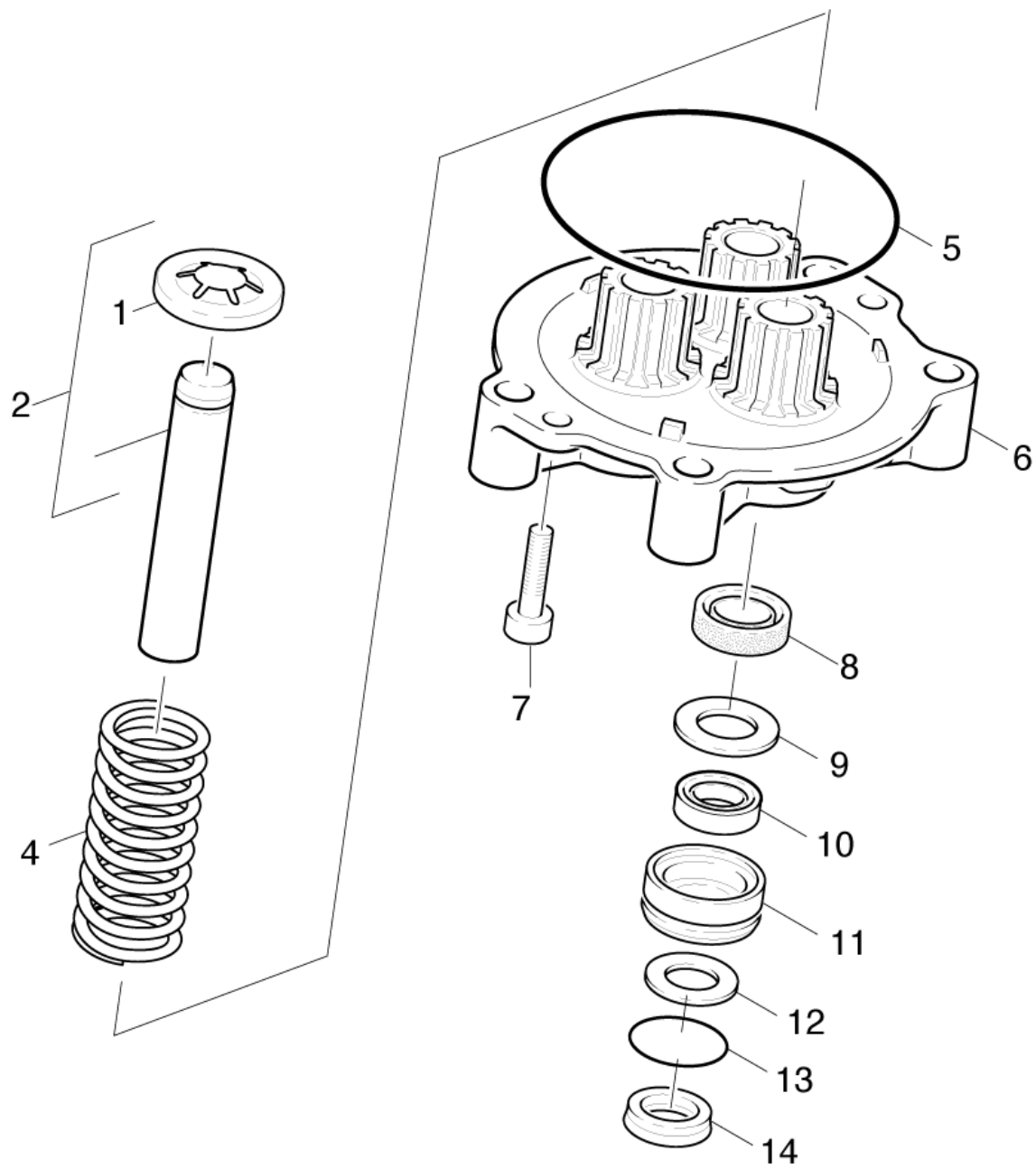


12 Frame

POS	Article no.	Description	Quantity	Unit
10	5.105-298.0	Axle	1.000	ST
15	6.435-116.0	Castor	1.000	ST
13	6.343-217.0	Clamping washer D25	2.000	ST
7	4.050-436.0	Frame tank	1.000	ST
	Item text1: / 1.170-101.0 / -102.0 / -103.0			
	Item text2: / -104.0 / -110.0 / -111.0 / -201.0			
1	5.321-580.0	Handhold left	1.000	ST
9	5.321-576.0	Handhold right	1.000	ST
16	7.304-407.0	Hexagonal head screw M 8x45-8.8-A2E ISO	4.000	ST
18	7.311-004.0	Hexagon nut M8 -8-A3E ISO 4032	4.000	ST
2	7.303-114.0	Screw 6 x 35-ST-10.9-R2R (IN6RD)	2.000	ST
6	6.303-191.0	Screw M8x30-ST-A2R DIN 7500-1	2.000	ST
4	6.303-305.0	Screw M8x40	2.000	ST
17	5.110-778.0	Sleeve	4.000	ST
11	5.110-773.0	Sleeve	2.000	ST
8	5.321-582.0	Tube handhold	2.000	ST
5	7.312-277.0	Washer 8-200HV-A2E ISO7093-1	6.000	ST
14	6.435-197.0	Wheel cap zinc yellow	2.000	ST
12	6.435-312.0	Wheel D250	2.000	ST

20 Pump set

POS	Description	Quantity	Unit
22	Cylinder head	1.000	ST
21	Piston	1.000	ST
23	Pump set	1.000	ST



21 Piston

POS	Article no.	Description	Quantity	Unit
11	5.112-576.3	Bush	3.000	ST
10	6.365-438.0	Compact seal	3.000	ST
14	6.365-432.0	Grooved ring 14x22x5.3	3.000	ST
8	6.365-340.0	Grooved ring 14X22X5/7	3.000	ST
1	5.030-625.0	Moulded part	3.000	ST
13	6.362-376.0	O-Ring seal 24,0 X 1,5	3.000	ST
5	6.362-768.0	O-Ring seal 88.0X 2.2	1.000	ST
2	4.553-181.0	Piston complete	3.000	ST
	Item text1: / 1.170-101.0 / -102.0 / -103.0			
	Item text2: / -104.0 / -111.0 / -201.0			
2	4.553-193.0	Piston complete only for replacement	3.000	ST
	Item text1: / 1.170-110.0 / 1.173-115.0			
7	7.303-047.0	Screw M6x16 -St-R3R (In6Rd)	2.000	ST
4	5.332-427.0	Spring	3.000	ST
6	5.060-677.0	Thrust guidance	1.000	ST
12	5.115-465.0	Washer	3.000	ST
9	5.115-744.0	Washer	3.000	ST

22 Cylinder head

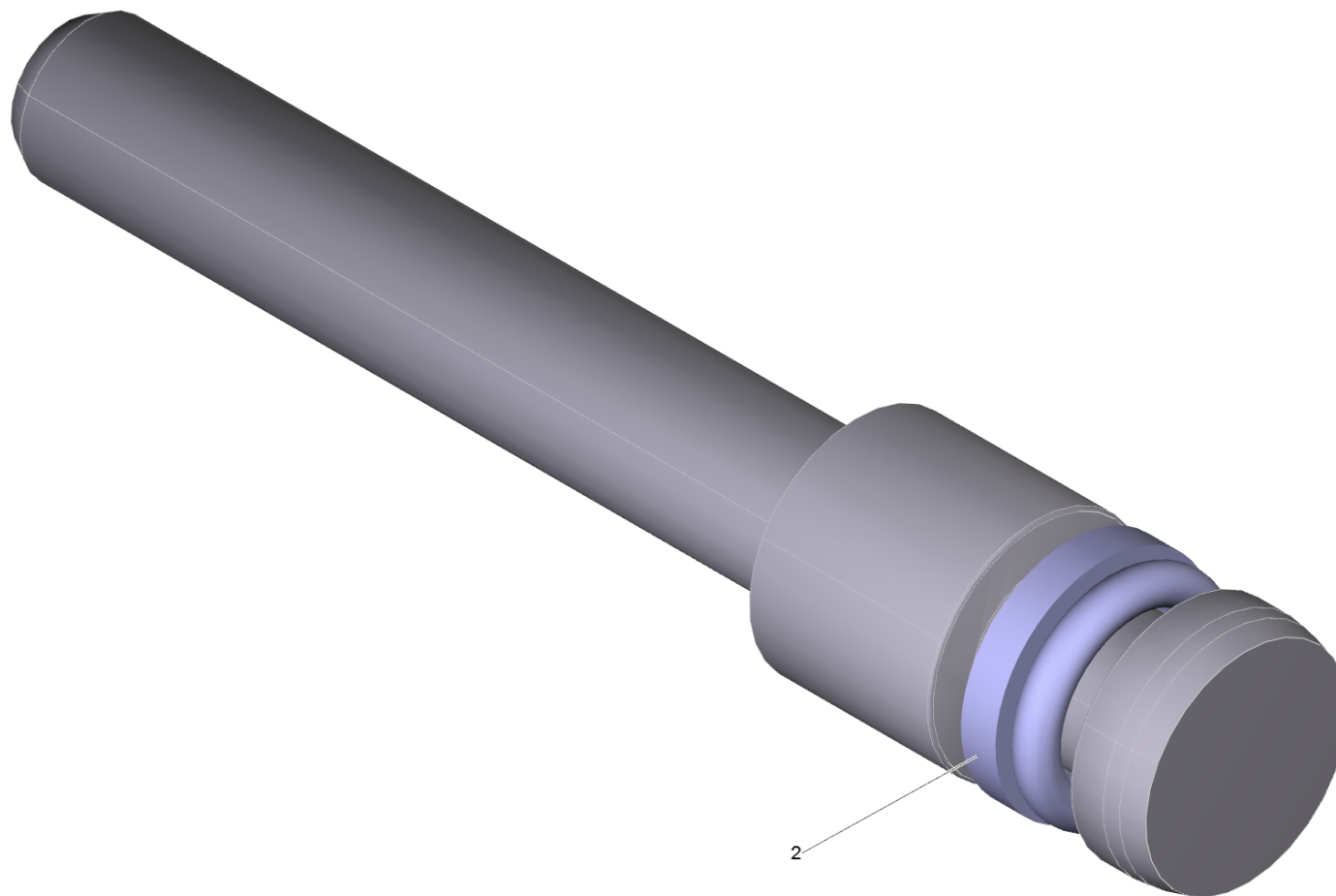
POS	Article no.	Description	Quantity	Unit	Remark	Foot note text
46	4.550-459.0	Cylinder head complete only for replacem	1.000	ST	VERSION 1 + VERSION 2	
46	4.550-924.0	Cylinder head only for replacement	1.000	ST	VERSION 3	
50	7.306-043.0	Cylinder head screw M8x30 -8.8-A2E ISO	5.000	ST		
45	7.306-106.0	Cylinder head screw M8x70 -8.8-A2E ISO4	4.000	ST		
2	5.367-030.0	Diaphragm	2.000	ST		
54	5.321-579.0	Handle	1.000	ST		
35	5.332-414.0	Helical spring	1.000	ST		
5	5.332-268.0	Helical spring	2.000	ST		
22	5.332-466.0	Helical spring	1.000	ST		
	Item text1: / 1.170-111.0					
22	5.332-460.0	Helical spring	1.000	ST		
	Item text1: / 1.170-101.0 / -102.0 / -103.0					
	Item text2: / -104.0 / -110.0 / -115.0 / -201.0					
18	5.304-070.0	Hexagonal head screw	1.000	ST		
16	7.311-002.0	Hexagon nut M5 -8-A2E ISO 4032	1.000	ST		
24	5.311-204.0	Hexagon nut M22x1,5	1.000	ST		
56	6.391-596.0	High pressure hose DN 13	1.000	ST		
64	5.404-086.0	Hollow screw	1.000	ST		VERSION 2
21	5.404-082.0	Hollow screw	1.000	ST		
39	6.391-341.0	Hose chemistry DN 6	1.000	M		TO ORDER AS CUT GOODS
57	6.388-167.0	Hose DN15	1.000	M		TO ORDER AS CUT GOODS
44	5.443-455.0	Hose stem	1.000	ST		
55	6.362-151.0	O-Ring d. 10 x 2 NBR 70	1.000	ST		
12	6.362-853.0	O-Ring seal 4,47x1,78	1.000	ST		
59	6.362-386.0	O-Ring seal 5,0 x 1,5-NBR 80	1.000	ST		
61	6.362-703.0	O-Ring seal 6,0x1,5-NBR 70	1.000	ST		
65	6.362-176.0	O-Ring seal 6,07x1,78	1.000	ST		VERSION 2
14	6.362-101.0	O-Ring seal 8 X 2	1.000	ST		
41	6.362-077.0	O-Ring seal 10 x 2,2 NBR 70	1.000	ST		
34	6.362-169.0	O-Ring seal 12,0 X 2,0	1.000	ST		
30	6.363-003.0	O-Ring seal 13,0 X 2,0-NBR 90	6.000	ST		

22 Cylinder head

POS	Article no.	Description	Quantity	Unit	Remark	Foot note text
31	6.362-381.0	O-Ring seal 13x2 - NBR 70	1.000	ST		
7	6.362-481.0	O-Ring seal 14,0 x 2,0 NBR 80	6.000	ST		
63	6.362-524.0	O-Ring seal 17,0 X 1,5	1.000	ST		VERSION 2
49	6.362-547.0	O-Ring seal 20,0x1,5-NBR 70	2.000	ST		
11	6.363-037.0	O-Ring seal complete 1ST.-R.	2.000	ST		
26	6.362-468.0	O-Ring seal complete 1ST.-R.	1.000	ST		
10	4.553-197.0	Piston complete only for replacement	2.000	ST		
25	4.553-198.0	Piston complete only for replacement	1.000	ST		
66	6.505-054.0	Pressure accumulator	1.000	ST		VERSION 2
13	6.421-215.0	Pressure gauge 0-300 BAR	1.000	ST		
62	5.427-304.0	Retainer pressure accumulator	1.000	ST		VERSION 2
3	5.034-494.0	Retaining bracket	2.000	ST		
53	4.580-730.0	Safety valve kpl. Ersatz	1.000	ST	VERSION 2	
27	4.580-732.0	Safety valve only for replacement	1.000	ST	VERSION 3	
15	5.411-070.0	Screw plug	1.000	ST		
4	5.411-148.0	Screw plug	2.000	ST		
52	5.110-815.0	Sleeve	1.000	ST		
47	5.110-608.0	Sleeve	2.000	ST		
100	2.883-891.0	Spare part set pump HDS 558 C/HDS 698 C	1.000	ST		
19	7.401-931.0	Sphere 5 KI3 -1.4401 DIN 5401	1.000	ST		
1	5.402-686.0	Threaded part	1.000	ST		
17	7.307-009.0	Threaded pin M5x35 -St-45H-A2E ISO 4026	1.000	ST		
32	2.884-512.0	Valve (3 Stueck)	1.000	ST		
8	4.580-262.0	Valve complete	1.000	ST		
42	4.580-349.0	Valve complete chemistry	1.000	ST		
20	5.582-121.0	Valve disc	1.000	ST		
37	4.582-019.0	Valve disc complete	1.000	ST		
51	5.587-192.0	Valve housing	1.000	ST		
23	5.584-114.0	Valve pin	1.000	ST		
36	5.584-060.0	Valve pin	1.000	ST		
33	5.583-130.0	Valve screw	1.000	ST		
6	5.583-161.0	Valve screw	1.000	ST		

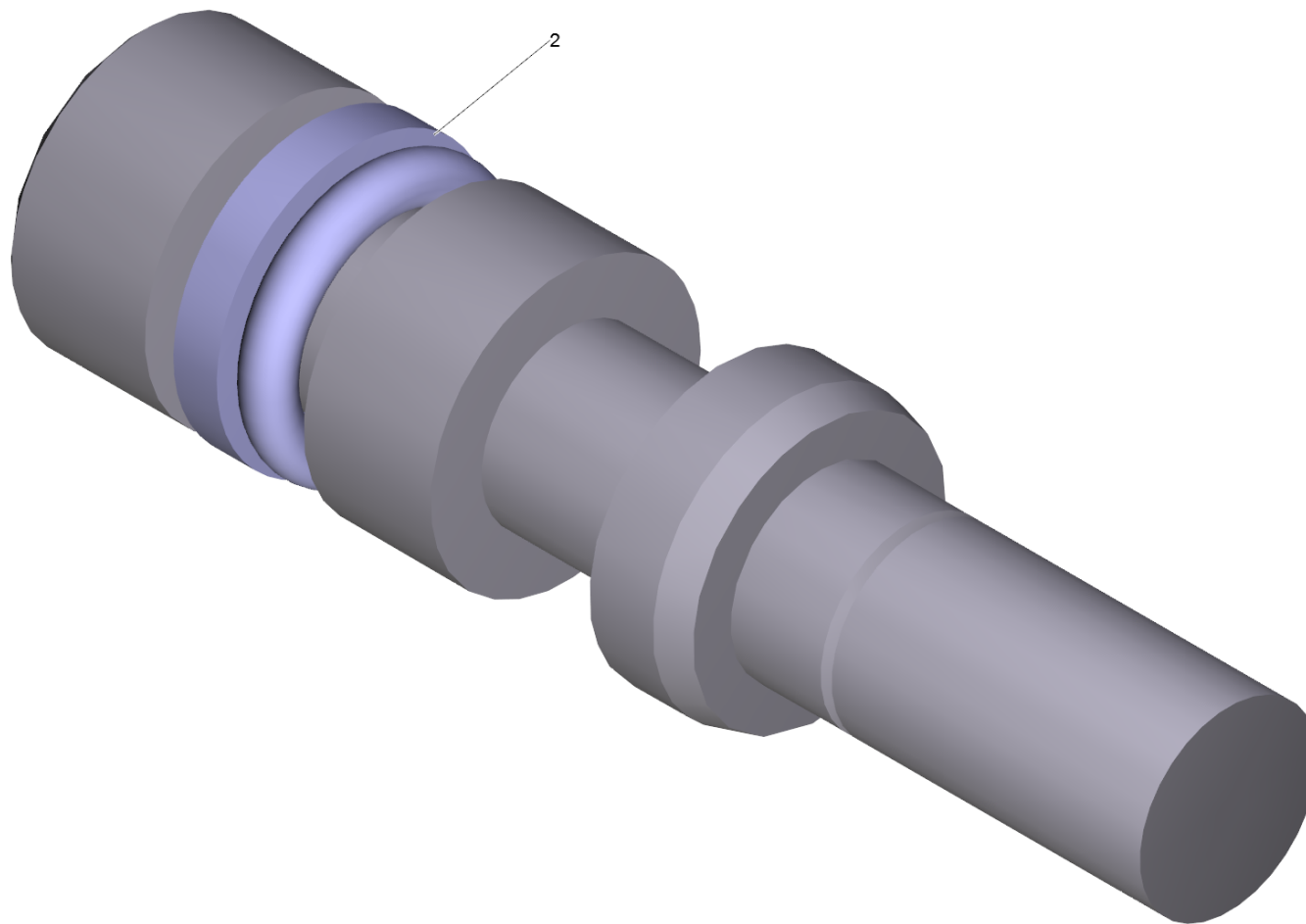
22 Cylinder head

POS	Article no.	Description	Quantity	Unit	Remark	Foot note text
29	5.583-146.3	Valve screw	2.000	ST		
58	5.581-239.0	Valve seat	1.000	ST		
60	5.581-231.0	Valve seat	1.000	ST		
38	4.580-376.3	Ventilating valve	1.000	ST		
9	5.115-796.0	Washer	2.000	ST		



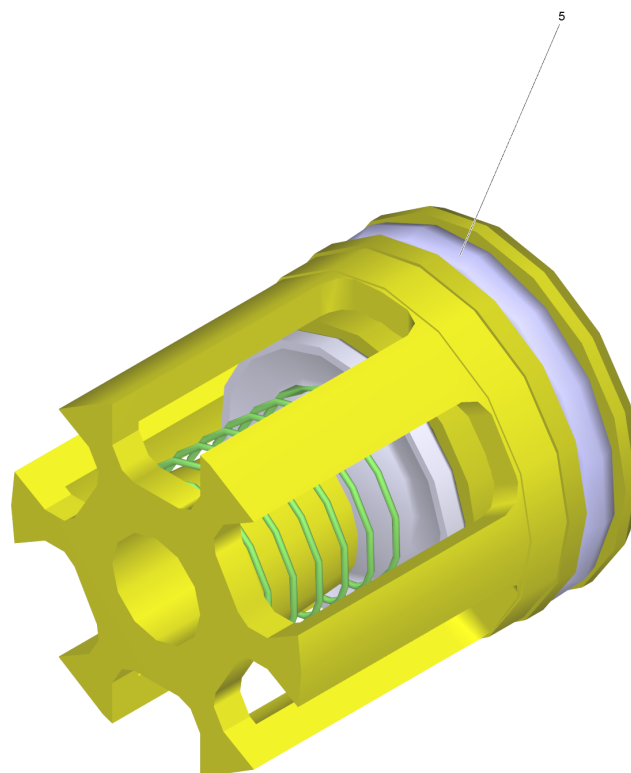
10 Piston complete only for replacement (4.553-197.0)

POS	Article no.	Description	Quantity	Unit
2	6.363-037.0	O-Ring seal complete 1ST.-R.	1.000	ST



25 Piston complete only for replacement (4.553-198.0)

POS	Article no.	Description	Quantity	Unit
2	6.362-468.0	O-Ring seal complete 1ST.-R.	1.000	ST

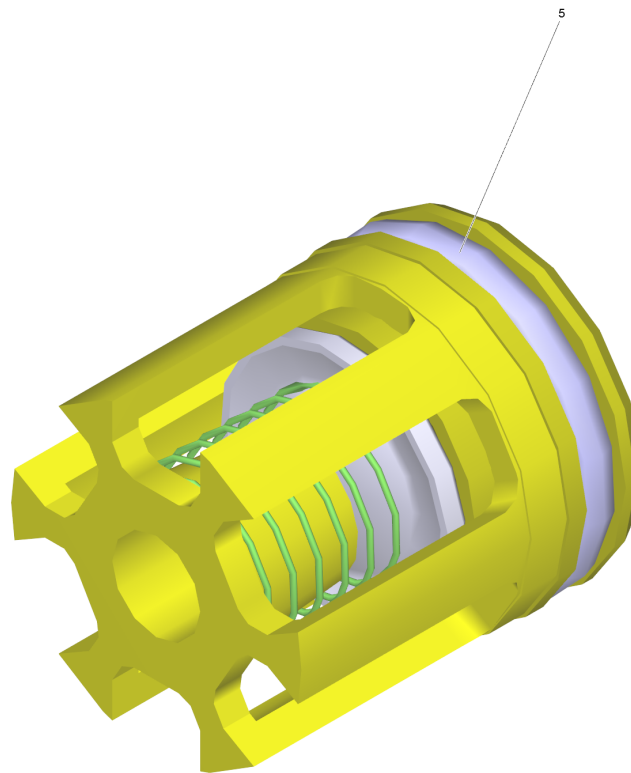


32 Valve (3 Stueck) (2.884-512.0)

POS	Article no.	Description	Quantity	Unit
5	6.363-003.0	O-Ring seal 13,0 X 2,0-NBR 90	1.000	ST

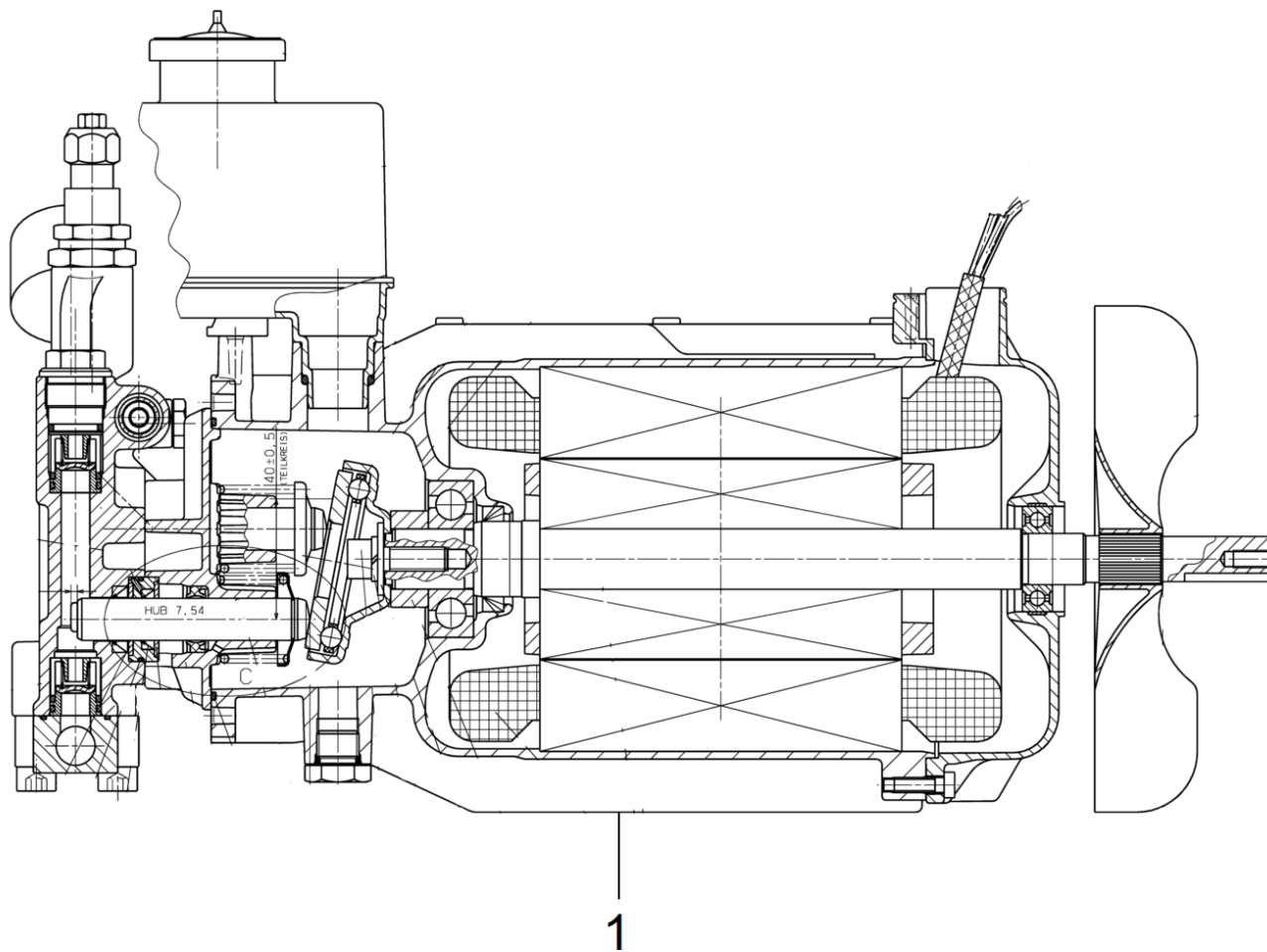
100 Spare part set pump HDS 558 C/HDS 698 C (2.883-891.0)

POS	Article no.	Description	Quantity	Unit
147	6.365-438.0	Compact seal	3.000	ST
146	6.365-432.0	Grooved ring 14x22x5.3	3.000	ST
145	6.365-340.0	Grooved ring 14X22X5/7	3.000	ST
100	6.362-151.0	O-Ring d. 10 x 2 NBR 70	1.000	ST
110	6.362-169.0	O-Ring seal 12,0 X 2,0	1.000	ST
144	6.363-003.0	O-Ring seal 13,0 X 2,0-NBR 90	6.000	ST
141	6.362-481.0	O-Ring seal 14,0 x 2,0 NBR 80	6.000	ST
142	6.362-547.0	O-Ring seal 20,0x1,5-NBR 70	2.000	ST
130	6.362-376.0	O-Ring seal 24,0 X 1,5	3.000	ST
143	6.362-768.0	O-Ring seal 88.0X 2.2	1.000	ST
120	6.362-368.0	O-Ring seal complete /1ST.-R.	2.000	ST
140	6.362-468.0	O-Ring seal complete 1ST.-R.	1.000	ST
50	5.034-494.0	Retaining bracket	2.000	ST
20	2.884-512.0	Valve (3 Stueck)	2.000	ST
10	4.580-262.0	Valve complete	1.000	ST
30	4.580-349.0	Valve complete chemistry	1.000	ST
40	4.582-019.0	Valve disc complete	1.000	ST
90	5.584-060.0	Valve pin	1.000	ST
60	5.115-465.0	Washer	3.000	ST
80	5.115-796.0	Washer	2.000	ST
70	5.115-744.0	Washer	3.000	ST



20 Valve (3 Stueck) (2.884-512.0)

POS	Article no.	Description	Quantity	Unit
5	6.363-003.0	O-Ring seal 13,0 X 2,0-NBR 90	1.000	ST

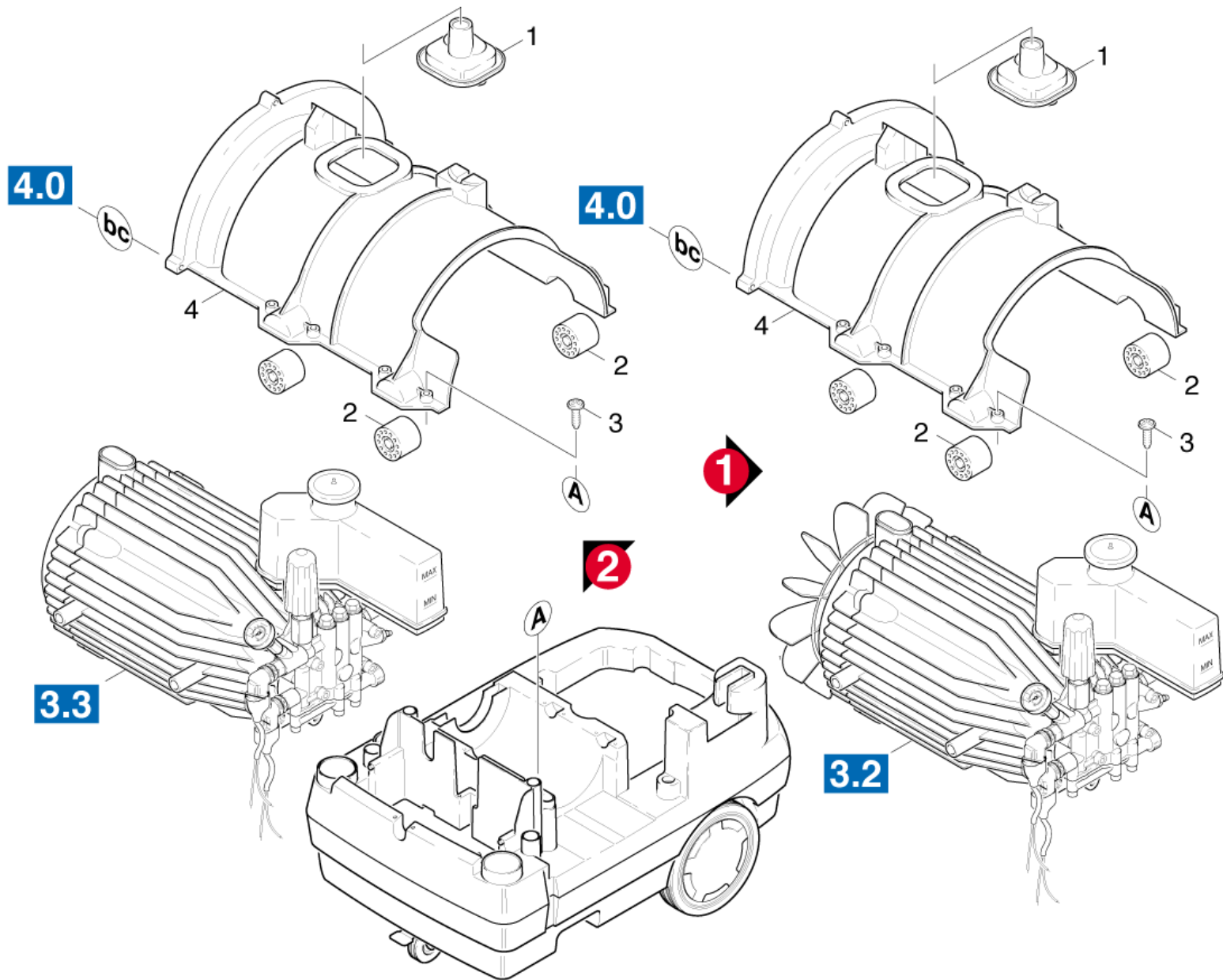


23 Pump set

POS	Article no.	Description	Quantity	Unit
1	7.777-999.0	Stockpiling discontinued	1.000	ST

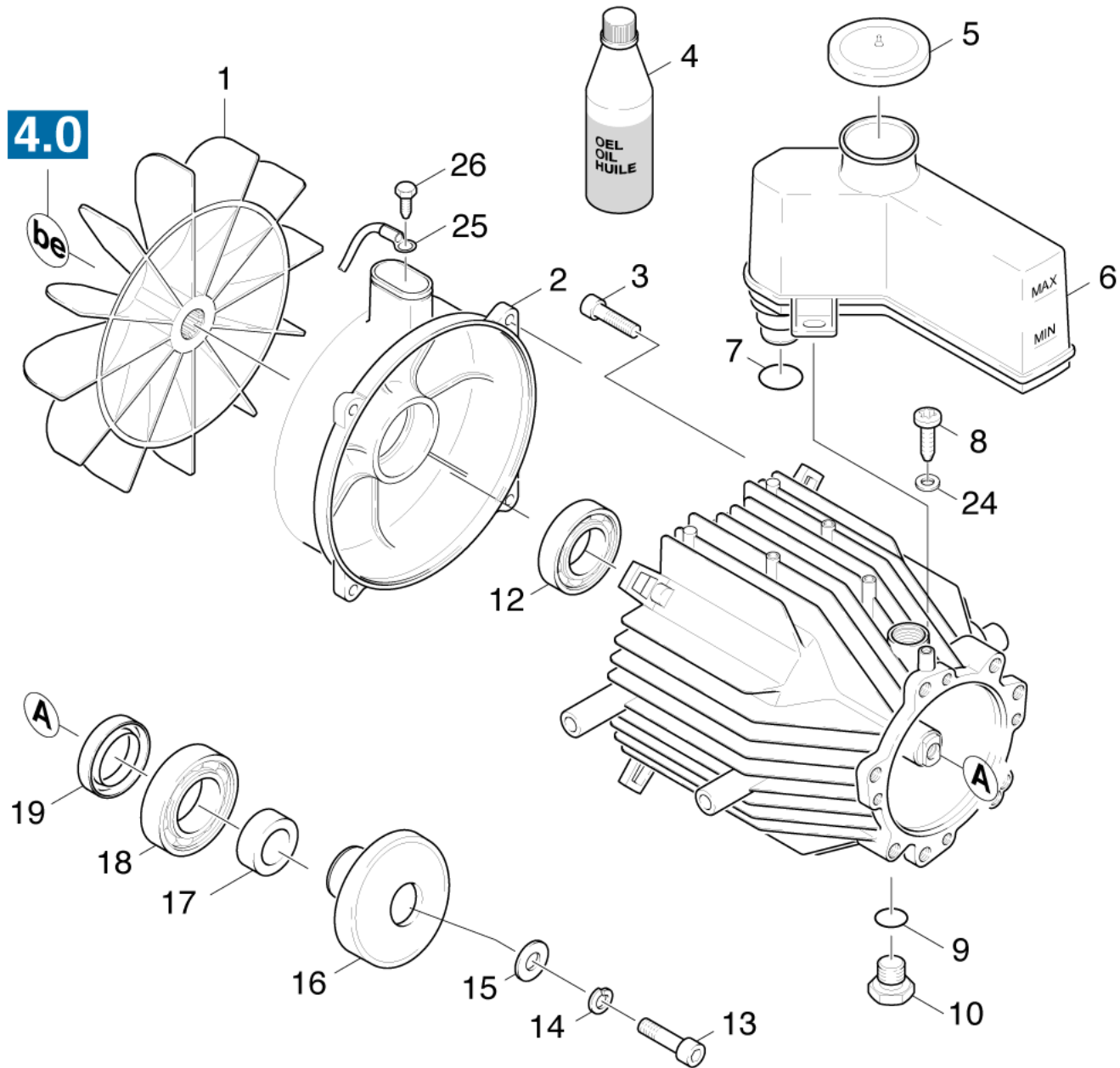
30 Motor

POS	Description	Quantity	Unit
31	Bracket motor	1.000	ST
33	Motor	1.000	ST
32	Motor	1.000	ST



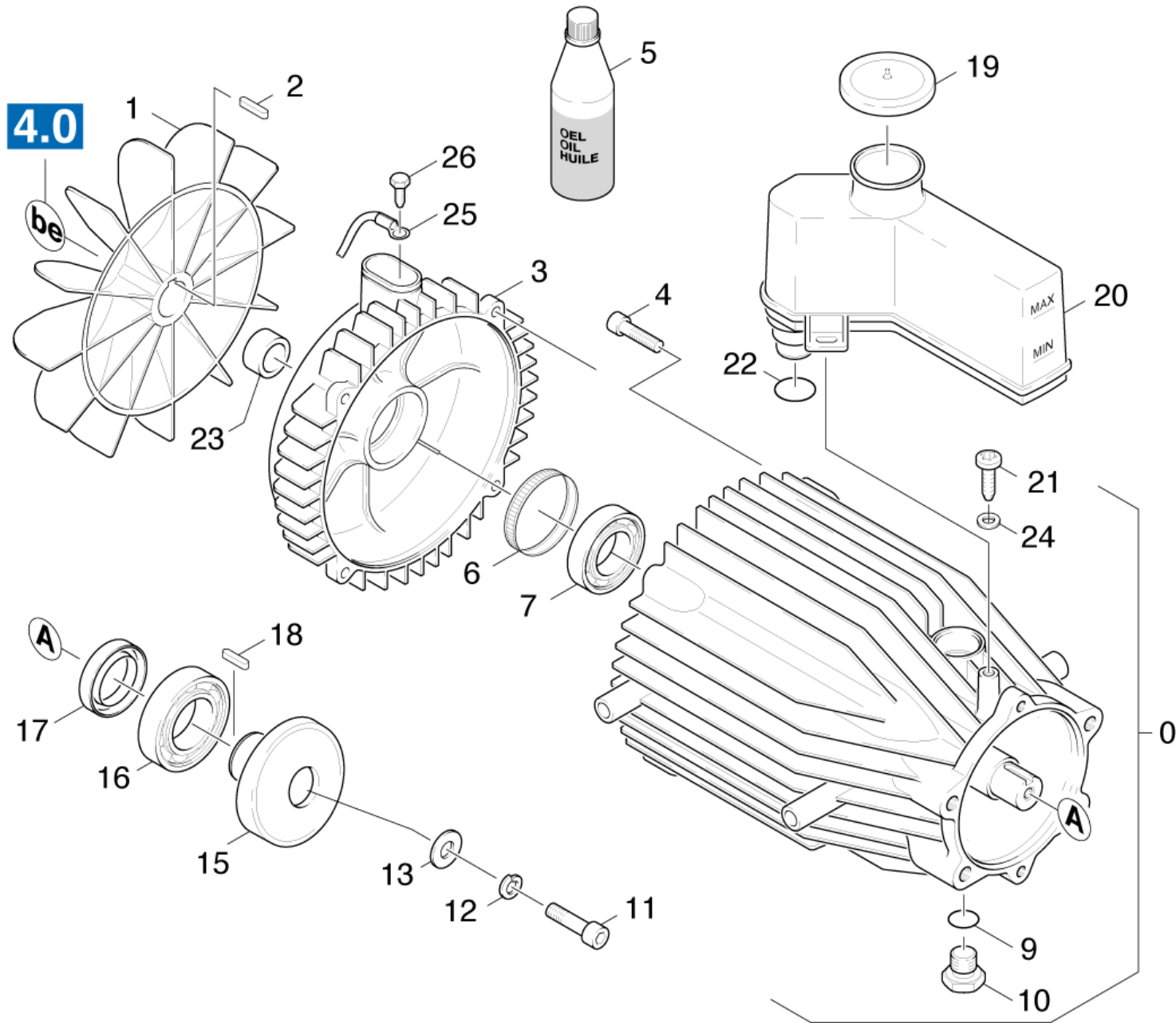
31 Bracket motor

POS	Article no.	Description	Quantity	Unit
4	5.060-728.0	Air circulation	1.000	ST
1	5.810-016.0	Cable gland	1.000	ST
2	5.767-005.0	Rubber buffer	4.000	ST
3	6.303-200.0	Screw 5x25-IN6RD	8.000	ST



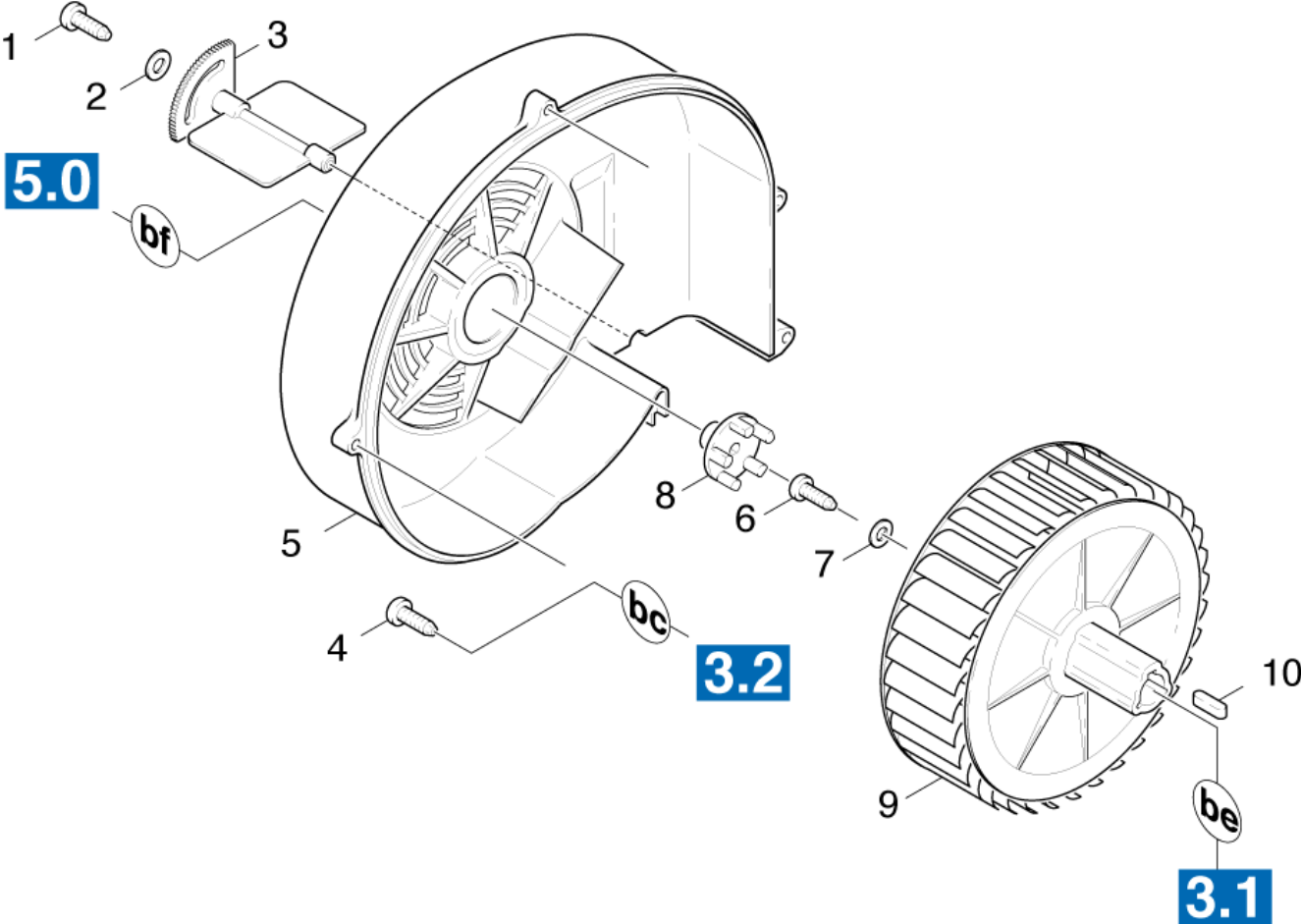
32 Motor

POS	Article no.	Description	Quantity	Unit
18	6.401-427.0	Angular contact ball bearing	1.000	ST
12	6.401-331.0	Ball bearing	1.000	ST
2	5.093-041.0	Bearing cover B	1.000	ST
1	5.600-059.0	Blower wheel	1.000	ST
17	5.112-586.0	Bush	1.000	ST
25	4.820-578.0	Cable green/yellow 1,5mm ² x450mm	1.000	ST
5	5.063-389.0	Cover	1.000	ST
13	7.306-042.0	Cylinder head screw M8x25 -8.8-A2E ISO4	1.000	ST
4	6.288-050.0	Engine oil 1L	1.000	ST
0	4.623-427.0	Motor complete	1.000	ST
	Item text1: / 1.170-111.0			
0	4.623-416.0	Motor complete only for replacement	1.000	ST
	Item text1: / 1.170-102.0 / -104.0			
0	4.623-419.0	Motor complete only for replacement	1.000	ST
	Item text1: / 1.170-101.0 / -103.0 / -114.0			
	Item text2: / -201.0			
9	6.363-273.0	O-Ring seal 11,0 x 2,0	1.000	ST
7	6.362-161.0	O-Ring seal 19,3 X 2,4	1.000	ST
19	6.367-047.0	Rotary shaft seal AS 25X35X7	1.000	ST
26	7.303-031.0	Screw M4x10 -St-P2R (In6Rd)	1.000	ST
8	7.303-038.0	Screw M5x12 -St-P2R (In6Rd)	1.000	ST
3	6.303-320.0	Screw M 5x 20-St-R2R	4.000	ST
10	5.411-100.0	Screw plug	1.000	ST
14	7.313-004.0	Spring washer B 8-FSt-A3E DIN 127	1.000	ST
6	5.070-521.0	Tank oil	1.000	ST
24	7.312-003.0	Washer 6 -200HV-A3E ISO 7090	1.000	ST
15	7.312-277.0	Washer 8-200HV-A2E ISO7093-1	1.000	ST
16	6.401-294.3	Wobble plate	1.000	ST



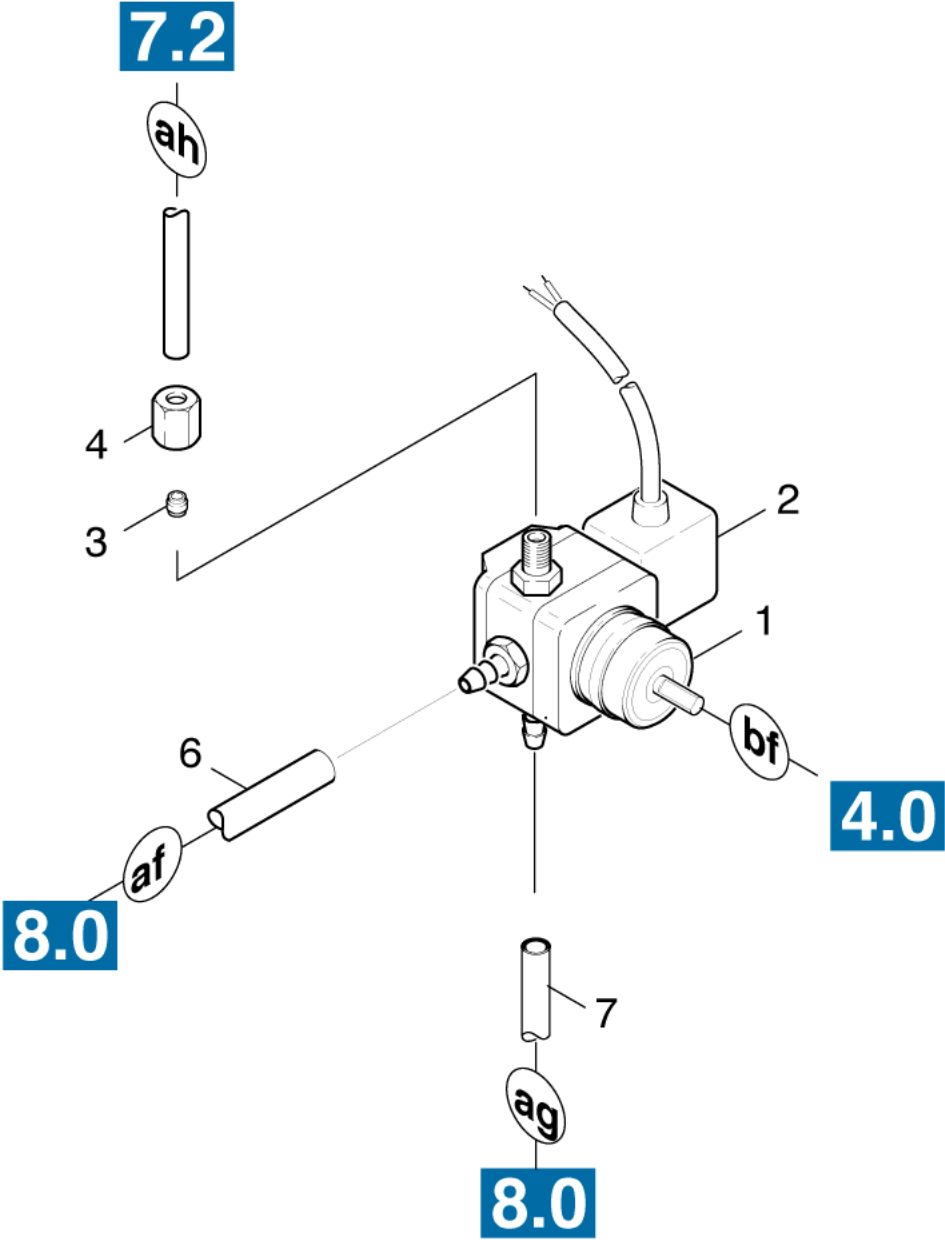
33 Motor

POS	Article no.	Description	Quantity	Unit
16	6.401-427.0	Angular contact ball bearing	1.000	ST
7	6.401-331.0	Ball bearing	1.000	ST
3	5.063-802.0	Bearing cover B	1.000	ST
1	5.600-046.0	Blower wheel	1.000	ST
19	5.064-457.0	Cover qusty grey SAE 90	1.000	ST
5	6.288-050.0	Engine oil 1L	1.000	ST
0	4.623-437.0	Motor complete only for replacement	1.000	ST
	Item text1: / 1.170-110.0 / -115.0			
9	6.363-273.0	O-Ring seal 11,0 x 2,0	1.000	ST
22	6.362-161.0	O-Ring seal 19,3 X 2,4	1.000	ST
18	7.318-003.0	Parallel key 5X 5X 18-C45R DIN 6885	1.000	ST
2	7.318-079.0	Parallel key A 5x5x25-C45R DIN 6885	1.000	ST
17	6.367-047.0	Rotary shaft seal AS 25X35X7	1.000	ST
21	7.303-038.0	Screw M5x12 -St-P2R (In6Rd)	1.000	ST
4	6.303-320.0	Screw M 5x 20-St-R2R	4.000	ST
11	7.306-092.0	Screw M6x20-ST- 8.8-R3R (IN6RD)	1.000	ST
10	5.411-100.0	Screw plug	1.000	ST
23	5.110-753.0	Sleeve	1.000	ST
12	7.313-003.0	Spring washer B 6-FSt-A3E DIN 127	1.000	ST
20	5.070-521.0	Tank oil	1.000	ST
6	6.343-015.0	Tolerance ring 35X6	1.000	ST
13	7.312-260.0	Washer 6 -100HV-A3E ISO 7094	1.000	ST
15	4.120-186.0	Wobble plate complete	1.000	ST



40 Blower

POS	Article no.	Description	Quantity	Unit
3	5.606-007.0	Air flap	1.000	ST
9	5.600-062.0	Blower wheel	1.000	ST
8	5.471-097.0	Coupler fuel pump	1.000	ST
5	5.063-826.0	Cover blower	1.000	ST
10	7.318-005.0	Parallel key 5x5x28-C45R DIN 6885	1.000	ST
4	7.303-084.0	Screw 4x25 -10.9-R2R (K-In6Rd)	4.000	ST
6	6.304-145.0	Screw M 6X20-R3R (IN6RD)	1.000	ST
1	7.303-077.0	Sheet metal screw ST4,8X16-ST-R2R (IN6R	1.000	ST
2	7.312-278.0	Washer 5-200HV-A2E ISO7093-1	1.000	ST
7	7.312-276.0	Washer 6 -200HV-A2E ISO7093-1	1.000	ST

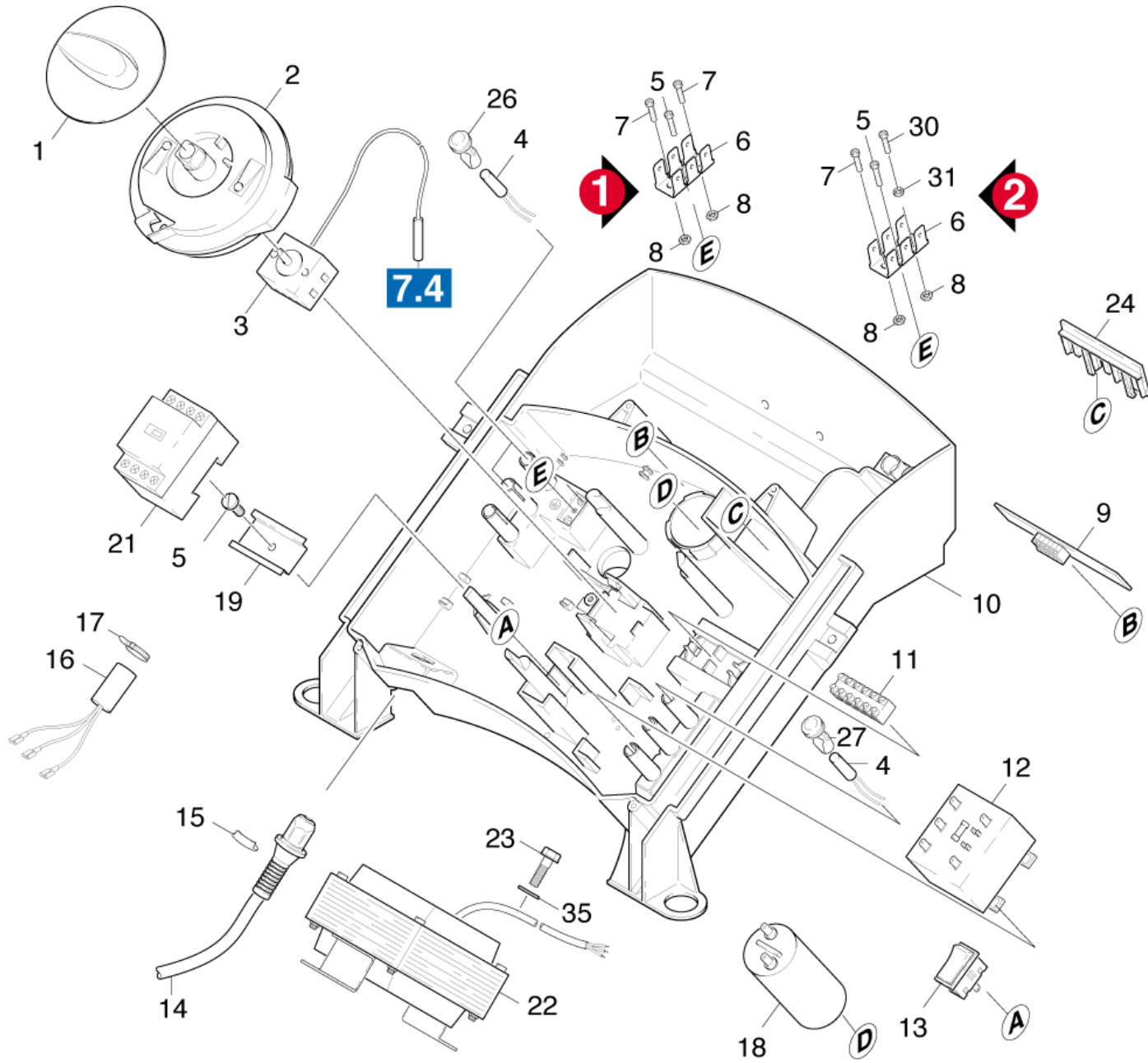


50 Fuel pump

POS	Article no.	Description	Quantity	Unit
3	6.389-263.0	Cutting ring d.4	1.000	ST
1	6.472-992.0	Fuel pump only for replacement	1.000	ST
7	5.443-498.0	Hose 240mm	1.000	ST
6	5.443-498.0	Hose 240mm	1.000	ST
2	6.472-411.0	Solenoid valve	1.000	ST
4	6.389-262.0	Union nut A 4-LL	1.000	ST

60 Electric control box

POS	Description	Quantity	Unit	Remark
61	Electric control box	1.000	ST	-101/102/103/104
62	Electric control box	1.000	ST	-111/
63	Switch	1.000	ST	

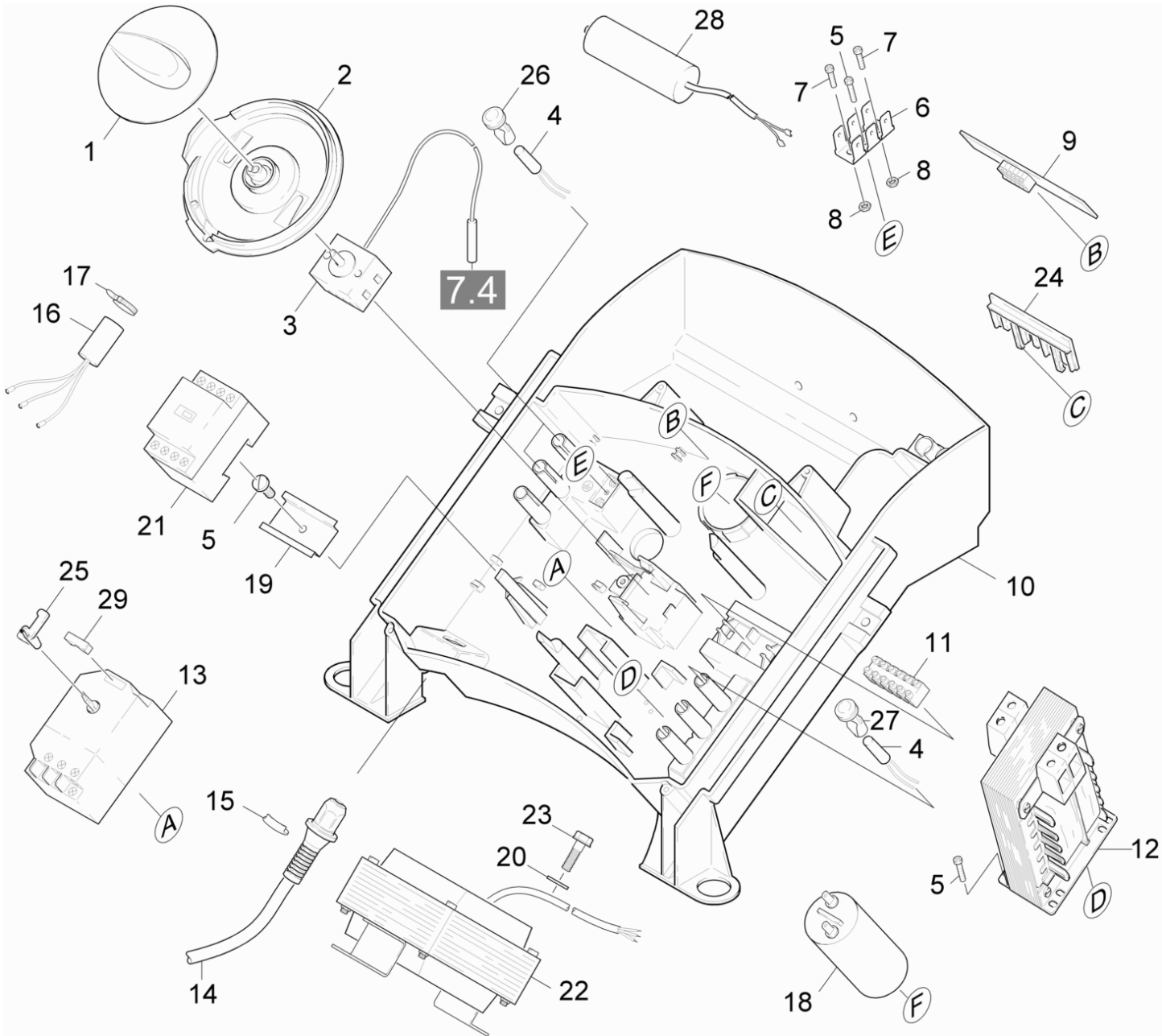


61 Electric control box

POS	Article no.	Description	Quantity	Unit	Remark	Foot note text
17	6.641-458.0	Cable tape	1.000	ST		
		Item text1: / 1.170-101.0 / -102.0 / -103.0				
		Item text2: / -104.0 / -201.0				
14	6.647-251.0	Cable with plug	1.000	ST		
		Item text1: / 1.170-101.0 / -110.0 / -115.0				
		Item text2: / -201.0				
14	6.647-127.0	Cable with plug *AU	1.000	ST		
		Item text1: / 1.170-103.0				
14	6.647-275.0	Cable with plug *GB	1.000	ST		
		Item text1: / 1.170-104.0				
14	6.649-946.0	Cable with plug CH	1.000	ST		
		Item text1: / 1.170-102.0				
18	6.661-298.0	Capacitor 40µF	1.000	ST		
24	5.030-954.0	Clamping part	1.000	ST		
21	4.632-002.0	Contacteur -nur fuer Ersatz-	1.000	ST		
12	4.622-018.0	Control transformer -nur für Ersatz-	1.000	ST		
		Item text1: / 1.170-101.0 / -102.0 / -103.0 / -104.0 / -110.0 / -114.0 / -115.0 / -201.0				
3	2.882-574.0	Conversion kit thermostat	1.000	ST		
1	5.321-577.0	Handle	1.000	ST		
8	7.311-001.0	Hexagon nut M4 -8-A2E ISO 4032	2.000	ST		
22	6.622-167.0	Ignition transformer 230V	1.000	ST		
		Item text1: / 1.170-110.0				
22	4.622-033.0	Ignition transformer only for replacemen	1.000	ST		
		Item text1: / 1.170-101.0 / -102.0 / -103.0				
		Item text2: / -104.0 / -115.0 / -201.0				
16	6.661-217.0	Interference suppressor	1.000	ST		
		Item text1: / 1.170-101.0 / -102.0 / -103.0				
		Item text2: / -104.0 / -201.0				
27	6.651-421.0	Lens housing green	1.000	ST		
26	6.651-316.0	Lens housing red	2.000	ST		
19	5.802-261.0	Mounting part	1.000	ST		
10	5.801-136.0	Mounting plate	1.000	ST		

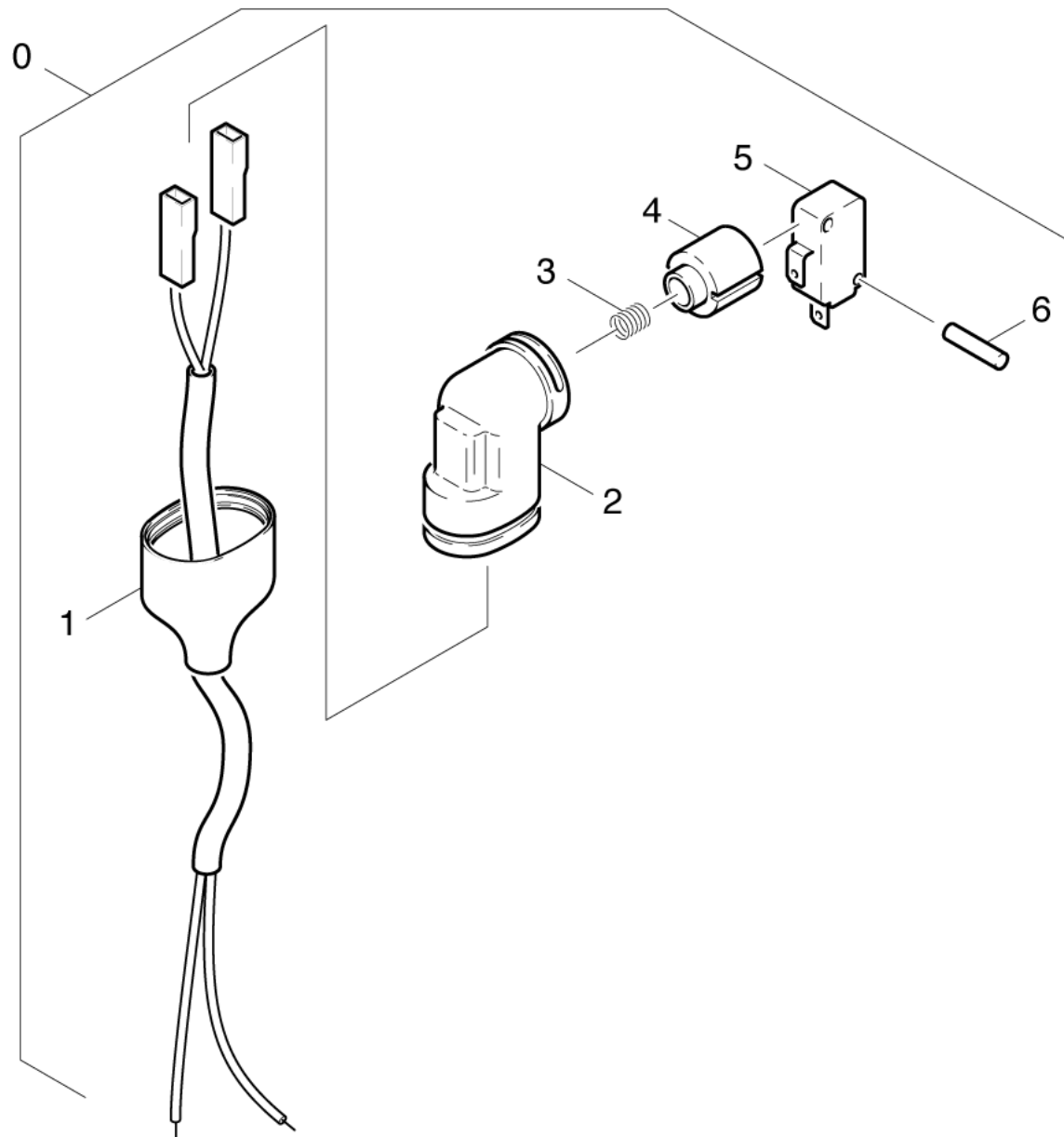
61 Electric control box

POS	Article no.	Description	Quantity	Unit	Remark	Foot note text
4	4.651-026.0	Pilot lamp only for replacement	3.000	ST		
6	6.641-270.0	Plug	1.000	ST		
9	4.633-058.0	Pulse generator only for replacement	1.000	ST		
15	6.343-170.0	Retaining clip	1.000	ST		
13	6.630-118.0	Rocker switch	1.000	ST		
5	7.303-026.0	Screw 4x16 -A2-70 (In6Rd)	2.000	ST		
7	6.303-317.0	Screw M4x10-St-A2G	2.000	ST		
30	7.306-207.0	Screw M4x12 -A2-70 (In6Rd)	1.000	ST	VERSION 2	
	Item text1: / 1.170-102.0 / -103.0					
23	7.777-999.0	Stockpiling discontinued	1.000	ST		
11	6.643-249.0	Strip terminal	1.000	ZST		
31	7.312-163.0	Toothed lock washer A4,3-FST-PH DIN 679	1.000	ST	VERSION 2	
	Item text1: / 1.170-102.0 / -103.0					
2	5.115-844.0	Washer	1.000	ST		ONLY FOR 230 V
35	7.312-264.0	Washer 5-100HV-A3E ISO 7094	1.000	ST		



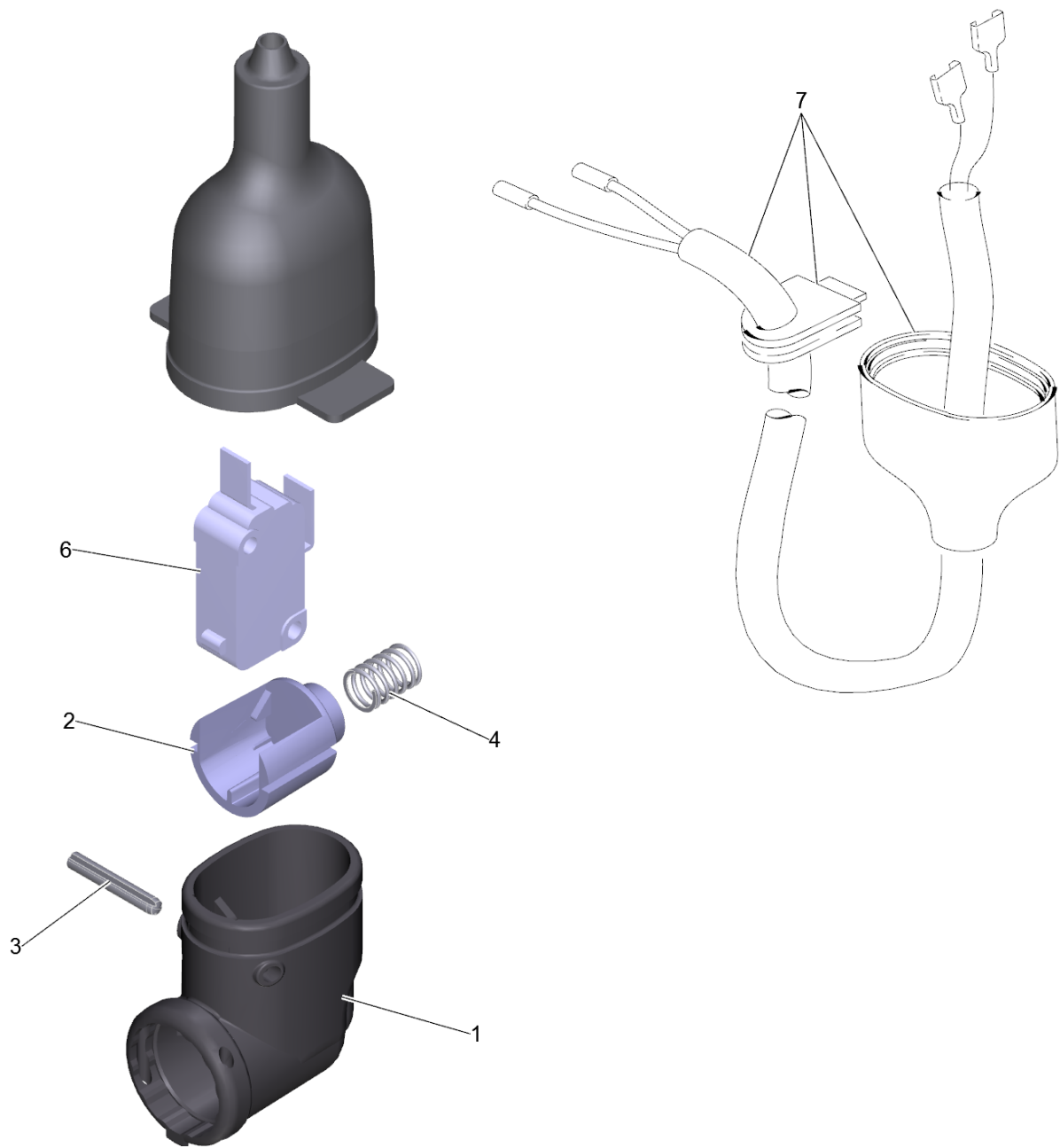
62 Electric control box

POS	Article no.	Description	Quantity	Unit	Foot note text
16	4.828-008.0	Anti-interference filter complete	1.000	ST	
17	6.641-458.0	Cable tape	1.000	ST	
14	6.647-537.0	Cable with rubber bushing	1.000	ST	
29	6.630-049.0	Cap	1.000	ST	
28	6.661-201.0	Capacitor 60 MUF	1.000	ST	
18	6.661-136.0	Capacitor 60MF	1.000	ST	
24	5.030-954.0	Clamping part	1.000	ST	
21	6.632-356.0	Contacteur LC1-D18 B7	1.000	ST	
12	6.622-064.0	Control transformer	1.000	ST	
3	2.882-574.0	Conversion kit thermostat	1.000	ST	
1	5.321-577.0	Handle	1.000	ST	
8	7.311-001.0	Hexagon nut M4 -8-A2E ISO 4032	2.000	ST	
22	6.622-178.0	Ignition transformer 110V	1.000	ST	
27	6.651-421.0	Lens housing green	1.000	ST	
26	6.651-316.0	Lens housing red	2.000	ST	
25	5.481-257.0	Lever	1.000	ST	
13	6.631-242.0	Motor protecting switch	1.000	ST	
19	5.802-261.0	Mounting part	1.000	ST	
10	5.801-136.0	Mounting plate	1.000	ST	
4	4.651-026.0	Pilot lamp only for replacement	3.000	ST	
6	6.641-270.0	Plug	1.000	ST	
9	4.633-058.0	Pulse generator only for replacement	1.000	ST	
15	6.343-170.0	Retaining clip	1.000	ST	
5	7.303-026.0	Screw 4x16 -A2-70 (In6Rd)	3.000	ST	
7	6.303-317.0	Screw M4x10-St-A2G	2.000	ST	
23	7.777-999.0	Stockpiling discontinued	1.000	ST	
11	6.643-249.0	Strip terminal	1.000	ZST	
2	5.115-798.0	Washer	1.000	ST	ONLY FOR 400 V
20	7.312-264.0	Washer 5-100HV-A3E ISO 7094	1.000	ST	



63 Switch

POS	Article no.	Description	Quantity	Unit
4	5.053-051.0	Bracket	1.000	ST
1	6.647-818.0	Control cable	1.000	ST
2	5.042-860.0	Holder	1.000	ST
5	6.631-807.0	Micro switch	1.000	ST
3	5.332-322.0	Spring	1.000	ST
6	7.314-664.0	Straight grooved pin 3,0x20-KU ISO 8740	1.000	ST
0	4.744-109.0	Switch complete	1.000	ST

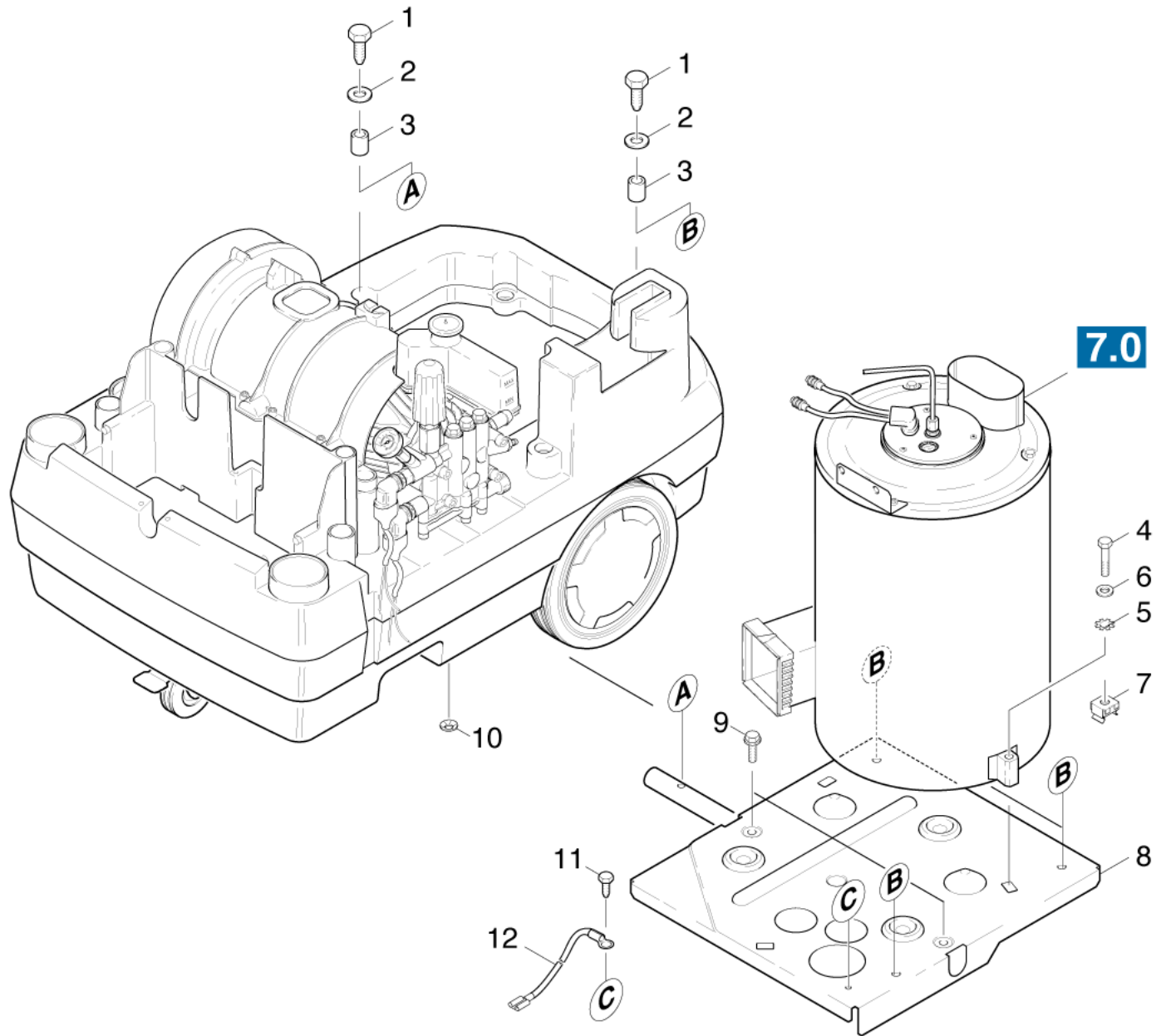


Switch complete (4.744-109.0)

POS	Article no.	Description	Quantity	Unit
2	5.053-051.0	Bracket	1.000	ST
7	6.647-818.0	Control cable	1.000	ST
1	5.042-860.0	Holder	1.000	ST
6	6.631-807.0	Micro switch	1.000	ST
4	5.332-322.0	Spring	1.000	ST
3	7.314-664.0	Straight grooved pin 3,0x20-KU ISO 8740	1.000	ST

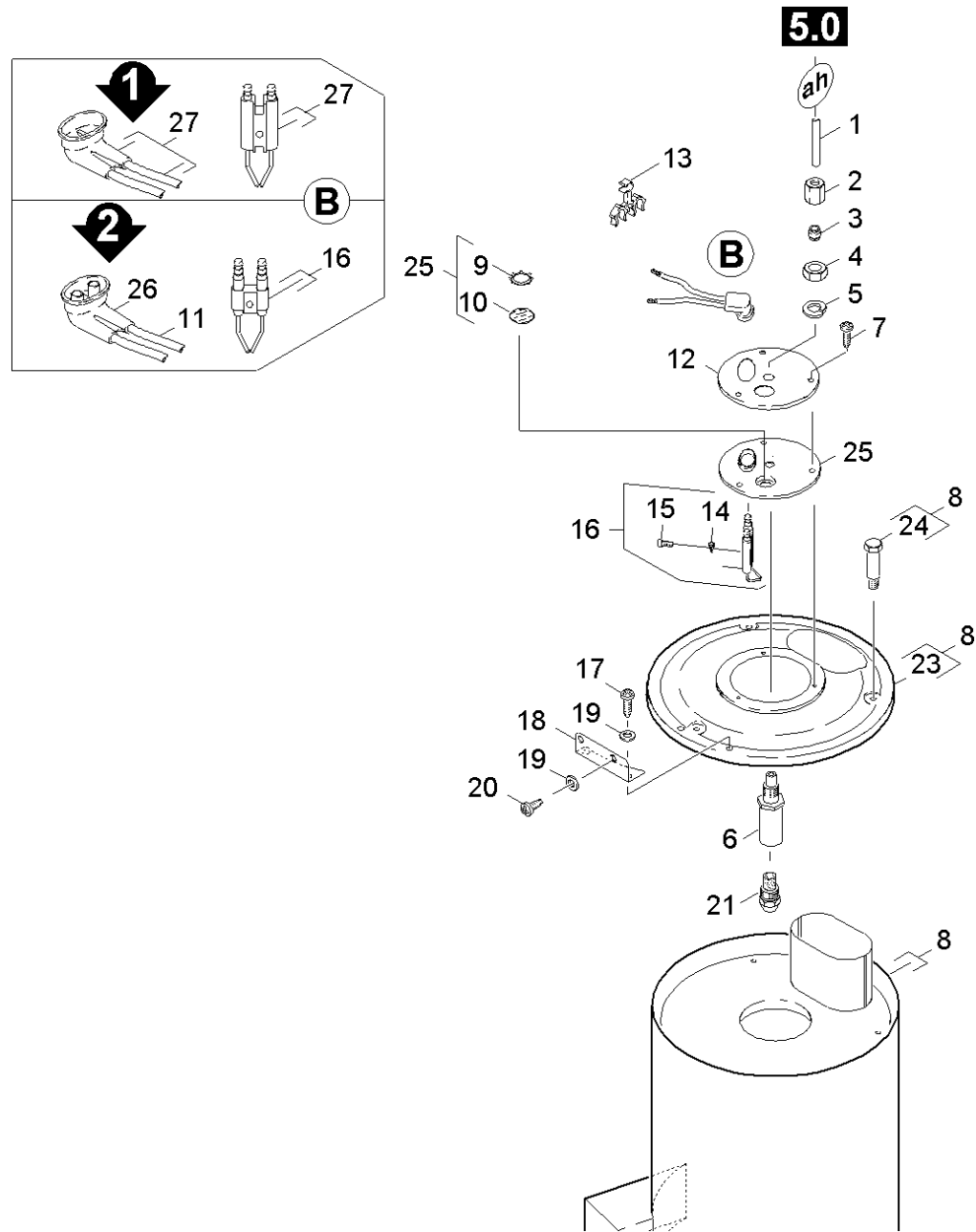
70 Flow heater

POS	Description	Quantity	Unit
74	Burner bottom	1.000	ST
72	Burner cover	1.000	ST
73	Heating coil	1.000	ST
71	Mounting parts	1.000	ST



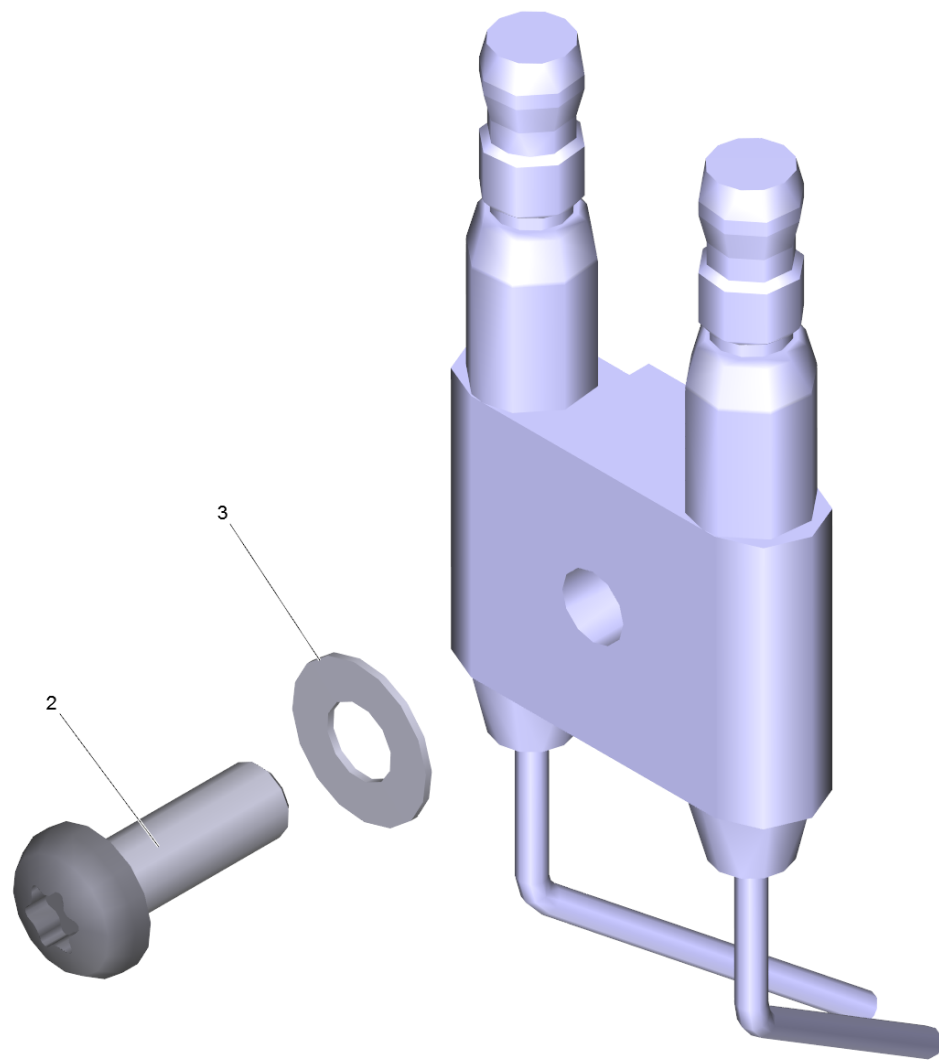
71 Mounting parts

POS	Article no.	Description	Quantity	Unit
12	4.822-102.0	Cable green/yellow 1,5mm ² x830mm	1.000	ST
		Item text1: / 1.170-101.0 / -102.0 / -103.0		
		Item text2: / -104.0 / -110.0 / -115.0 / -201.0		
12	4.822-098.0	Cable green/yellow 2,5mm ² x900mm	1.000	ST
		Item text1: / 1.170-111.0		
7	6.310-081.0	Cage nut M 8	3.000	ST
8	5.050-111.0	Frame	1.000	ST
4	7.304-097.0	Hexagonal head screw M8x70-8.8-A2E ISO	3.000	ST
10	6.343-161.0	Lock washer	1.000	ST
11	7.303-037.0	Screw M5x10 -St-P2R (In6Rd)	1.000	ST
9	6.303-031.0	Screw M8x16-ST-R2R DIN 7500-1	2.000	ST
1	6.303-191.0	Screw M8x30-ST-A2R DIN 7500-1	4.000	ST
3	5.110-760.0	Sleeve	4.000	ST
5	7.312-166.0	Toothed lock washer A8,4-FSt-A3E DIN 67	3.000	ST
6	7.312-004.0	Washer 8 -200HV-A3E ISO 7090	3.000	ST
2	7.312-277.0	Washer 8-200HV-A2E ISO7093-1	4.000	ST



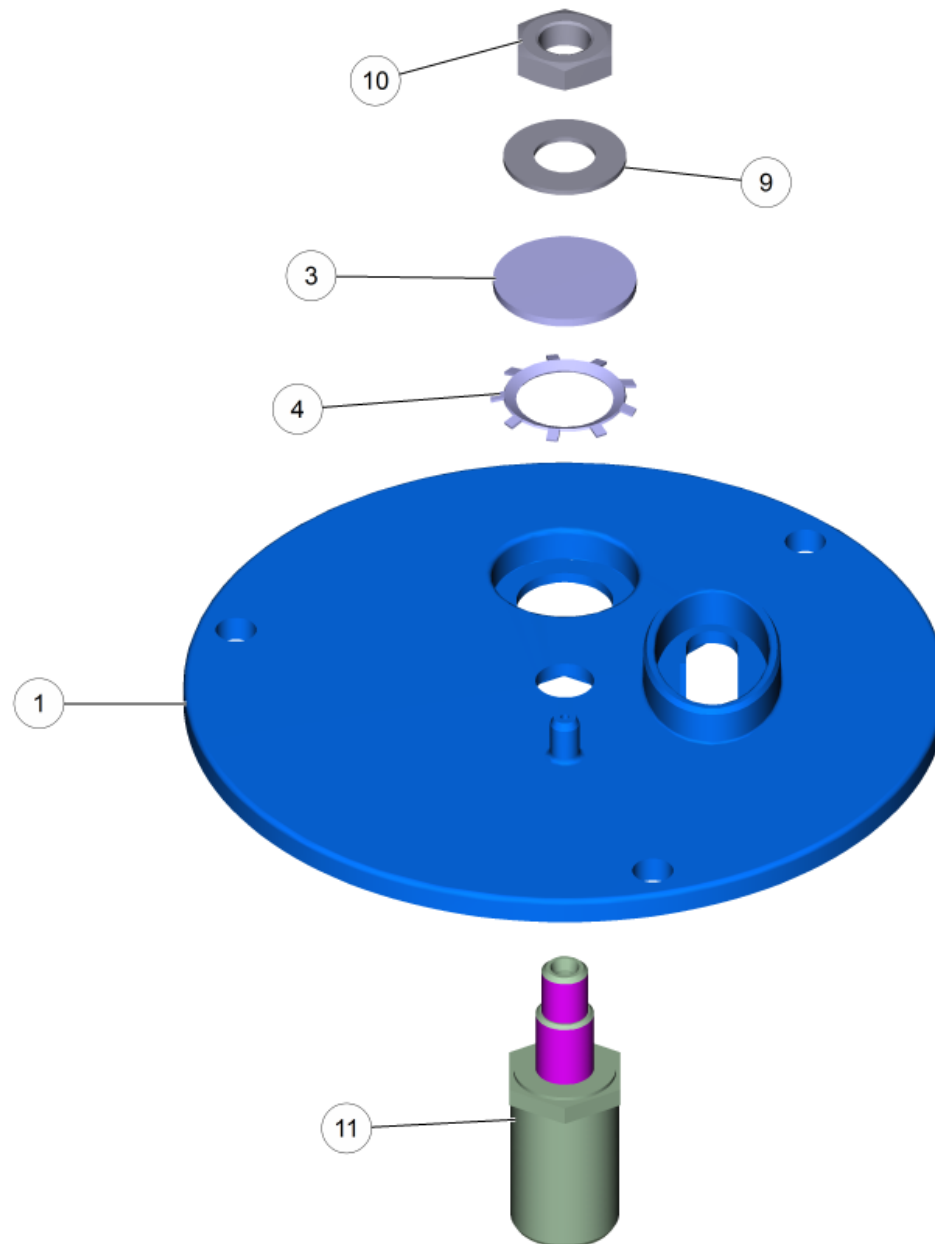
72 Burner cover

POS	Article no.	Description	Quantity	Unit
18	5.762-234.0	Bracket electric control box	1.000	ST
21	6.415-664.0	Burner nozzle	1.000	ST
		Item text1: / 1.170-101.0 / -102.0 / -103.0		
		Item text2: / -104.0 / -110.0 / -111.0 / -201.0		
21	6.415-775.0	Burner nozzle	1.000	ST
		Item text1: / 1.170-115.0		
1	5.423-253.0	Conduit	1.000	ST
27	2.638-976.0	Conversion kit ignition cable	1.000	ST
16	2.638-974.0	Conversion kit ignition electrode	1.000	ST
25	4.654-218.0	Cover pressure boiler	1.000	ST
23	4.654-196.0	Cover pressure boiler	1.000	ST
12	5.654-059.0	Cover pressure boiler	1.000	ST
3	6.389-263.0	Cutting ring d.4	1.000	ST
10	6.278-018.0	Glass pane	1.000	ST
4	7.311-101.0	Hexagon nut M10x1 -04-A2E ISO 8675	1.000	ST
13	6.647-527.0	Holder	1.000	ST
11	4.821-071.0	IGNITION LEAD (HDS 557CI)	1.000	ST
6	5.667-055.0	Nozzle holder	1.000	ST
8	4.652-133.0	Outer covering	1.000	ST
26	5.394-470.0	Protecting cap	1.000	ST
15	7.306-217.0	Screw M5x14 -8.8-R2R (In6Rd)	1.000	ST
17	7.306-090.0	Screw M6x16 -8.8-R3R (In6Rd)	2.000	ST
20	7.303-047.0	Screw M6x16 -St-R3R (In6Rd)	2.000	ST
24	6.303-258.0	Self-tapping screw	3.000	ST
9	6.343-165.0	Serrated ring	1.000	ST
14	7.312-304.0	Spring washer B 5-FST-A2E DIN 137	1.000	ST
5	7.312-302.0	Spring washer B10-FST-A2E DIN 137	1.000	ST
2	6.389-262.0	Union nut A 4-LL	1.000	ST
19	7.312-291.0	Washer 6-200HV-P2R ISO7093-1	4.000	ST



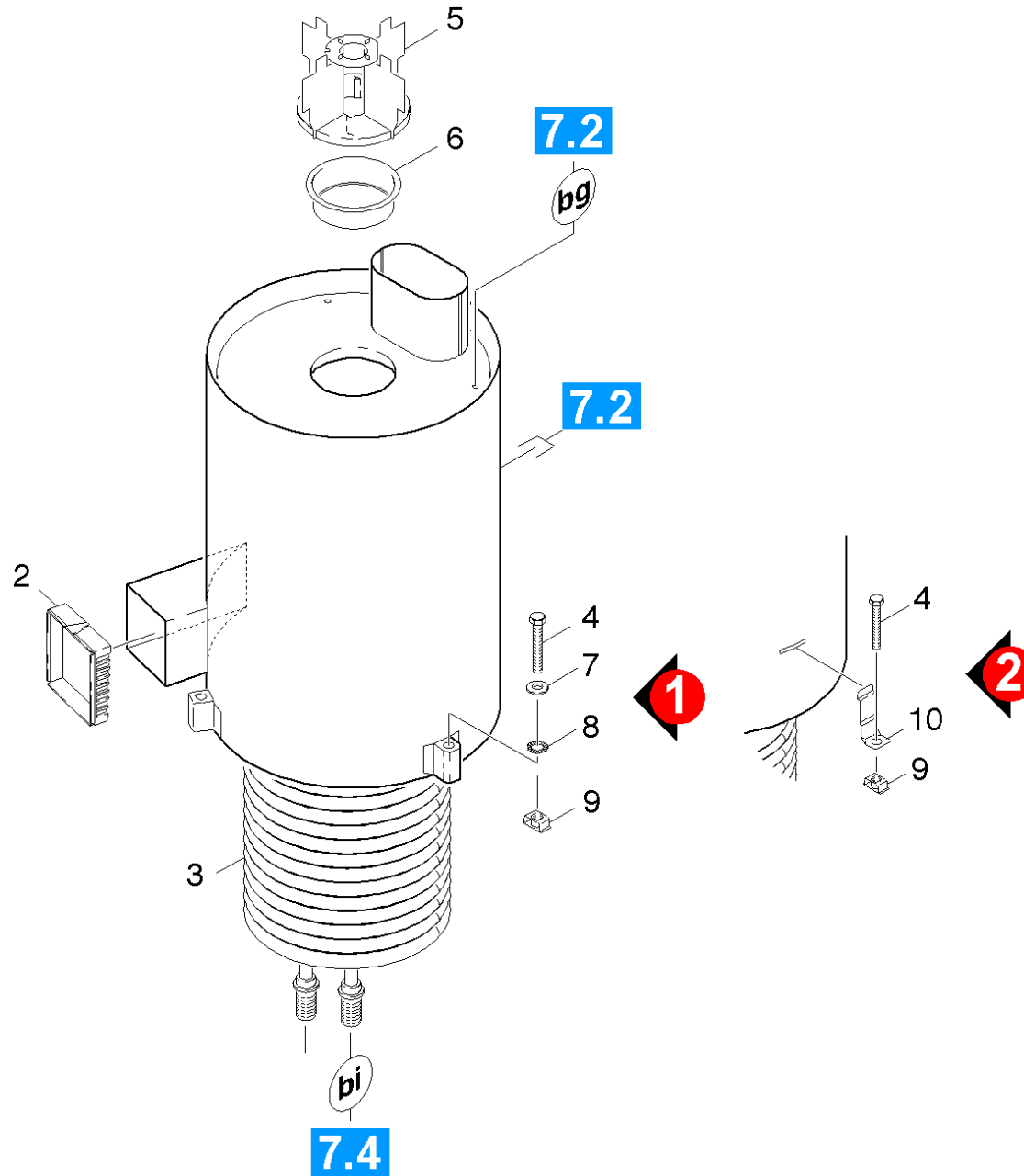
16 Conversion kit ignition electrode (2.638-974.0)

POS	Article no.	Description	Quantity	Unit
2	7.306-217.0	Screw M5x14 -8.8-R2R (In6Rd)	1.000	ST
3	7.312-304.0	Spring washer B 5-FST-A2E DIN 137	1.000	ST



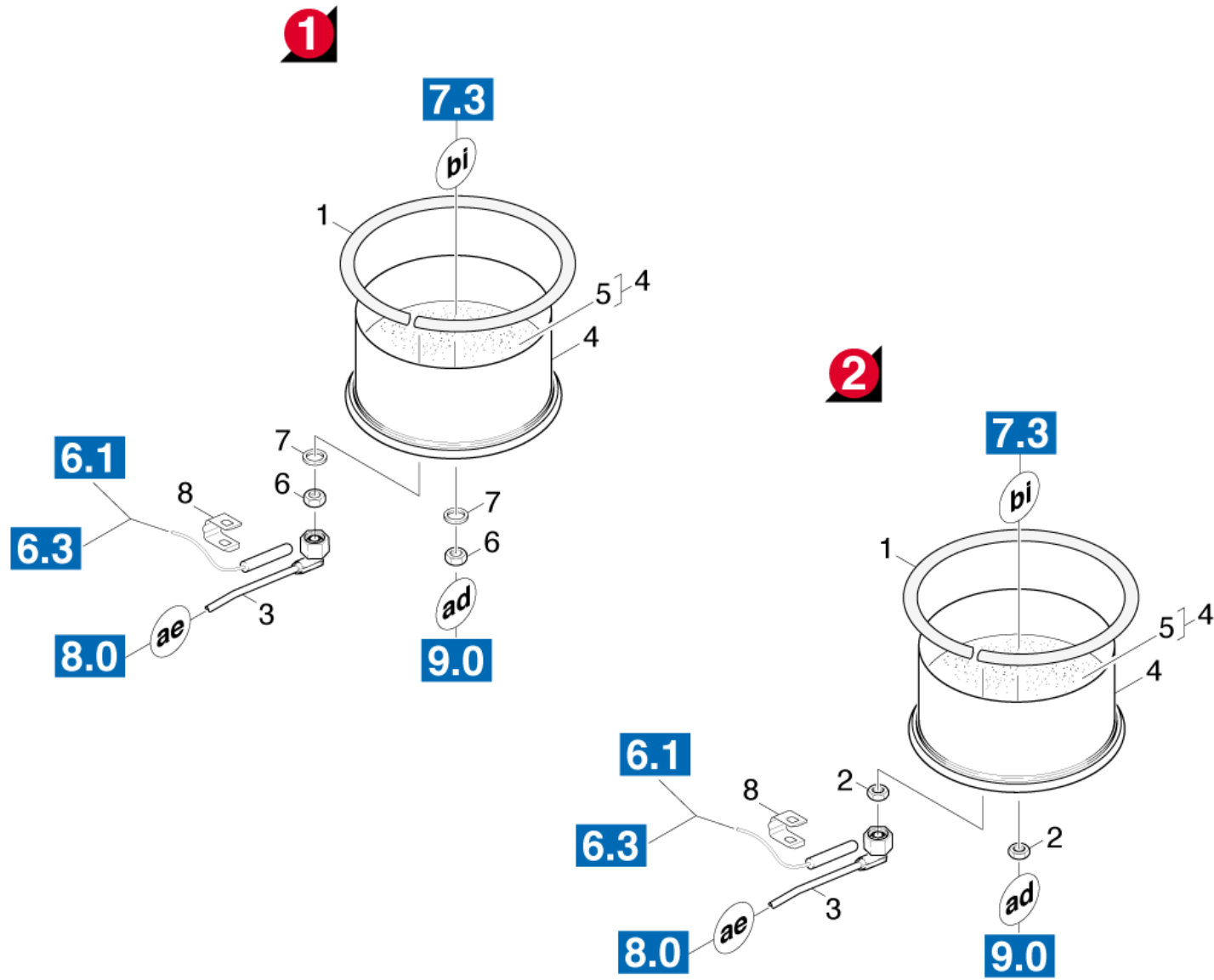
25 Cover pressure boiler (4.654-218.0)

POS	Article no.	Description	Quantity	Unit
1	5.662-022.0	Burner cover	1.000	ST
3	6.278-018.0	Glass pane	1.000	ST
10	7.311-101.0	Hexagon nut M10x1 -04-A2E ISO 8675	1.000	ST
11	5.667-055.0	Nozzle holder	1.000	ST
4	6.343-165.0	Serrated ring	1.000	ST
9	7.312-302.0	Spring washer B10-FST-A2E DIN 137	1.000	ST



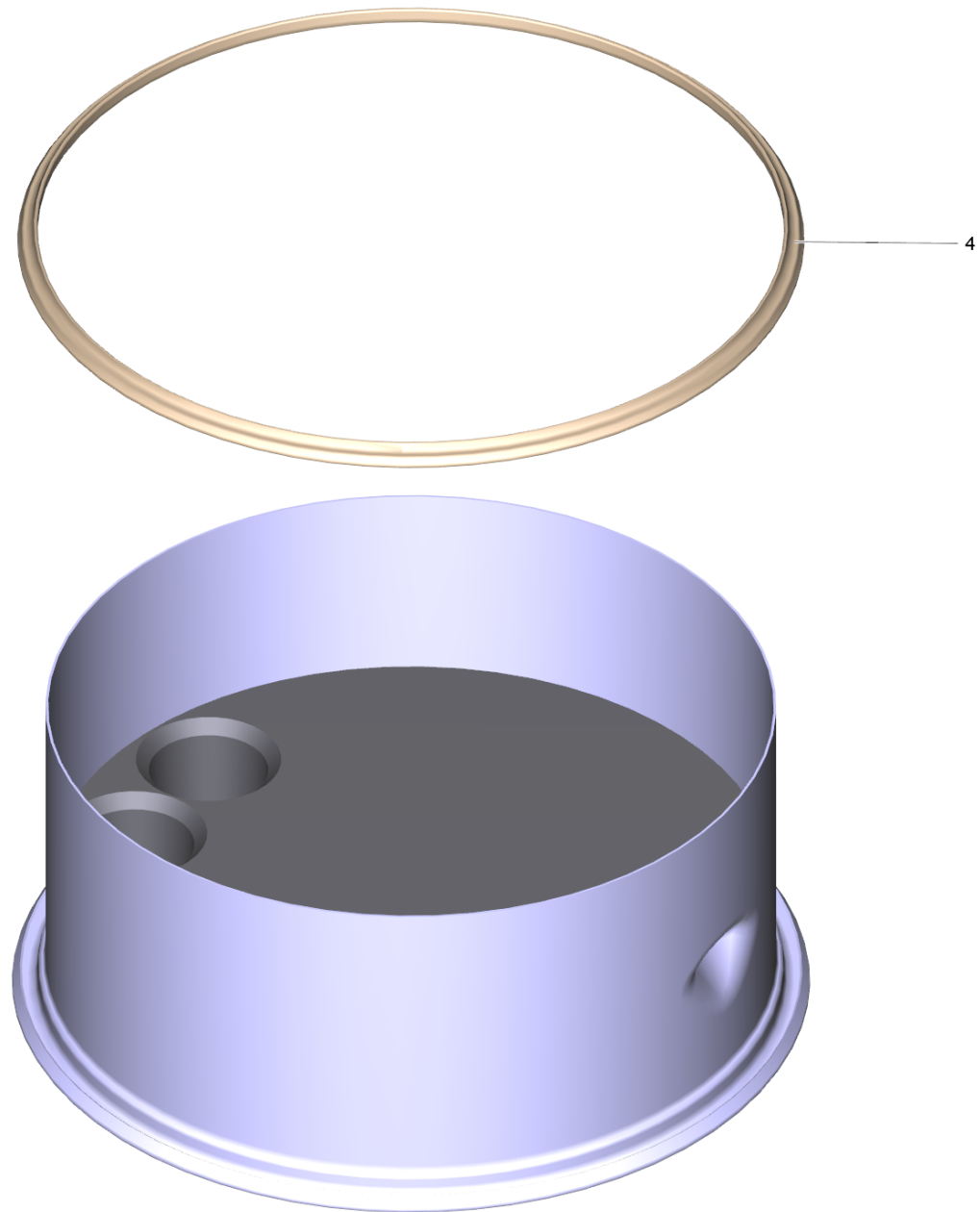
73 Heating coil

POS	Article no.	Description	Quantity	Unit	Remark	Foot note text
5	4.663-123.0	Burner cage	1.000	ST		
6	5.664-231.0	Burner part	1.000	ST		
		Item text1: / 1.170-101.0 / -102.0 / -103.0				
		Item text2: / -104.0 / -110.0 / -111.0 / -201.0				
6	5.664-179.0	Burner part	1.000	ST		
		Item text1: / 1.170-115.0				
9	6.310-081.0	Cage nut M 8	3.000	ST		
2	5.178-037.0	Collar	1.000	ST		
3	4.680-127.0	Heating coil	1.000	ST		
		Item text1: / 1.170-101.0 / -102.0 / -104.0				
		Item text2: / -110.0 / -111.0 / -115.0 / -201.0				
3	4.680-129.0	Heating coil VA	1.000	ST		STAINLESS STEEL CONSTRUCTION
		Item text1: / 1.170-103.0				
4	7.304-051.0	Hexagonal head screw M 8x16-8.8-P2R EN	3.000	ST		
10	5.044-420.0	Holder	3.000	ST	VERSION 2	
8	7.312-159.0	Toothed lock washer A8,4-FST-PH DIN 679	3.000	ST	VERSION 1	
7	7.312-004.0	Washer 8 -200HV-A3E ISO 7090	3.000	ST	VERSION 1	



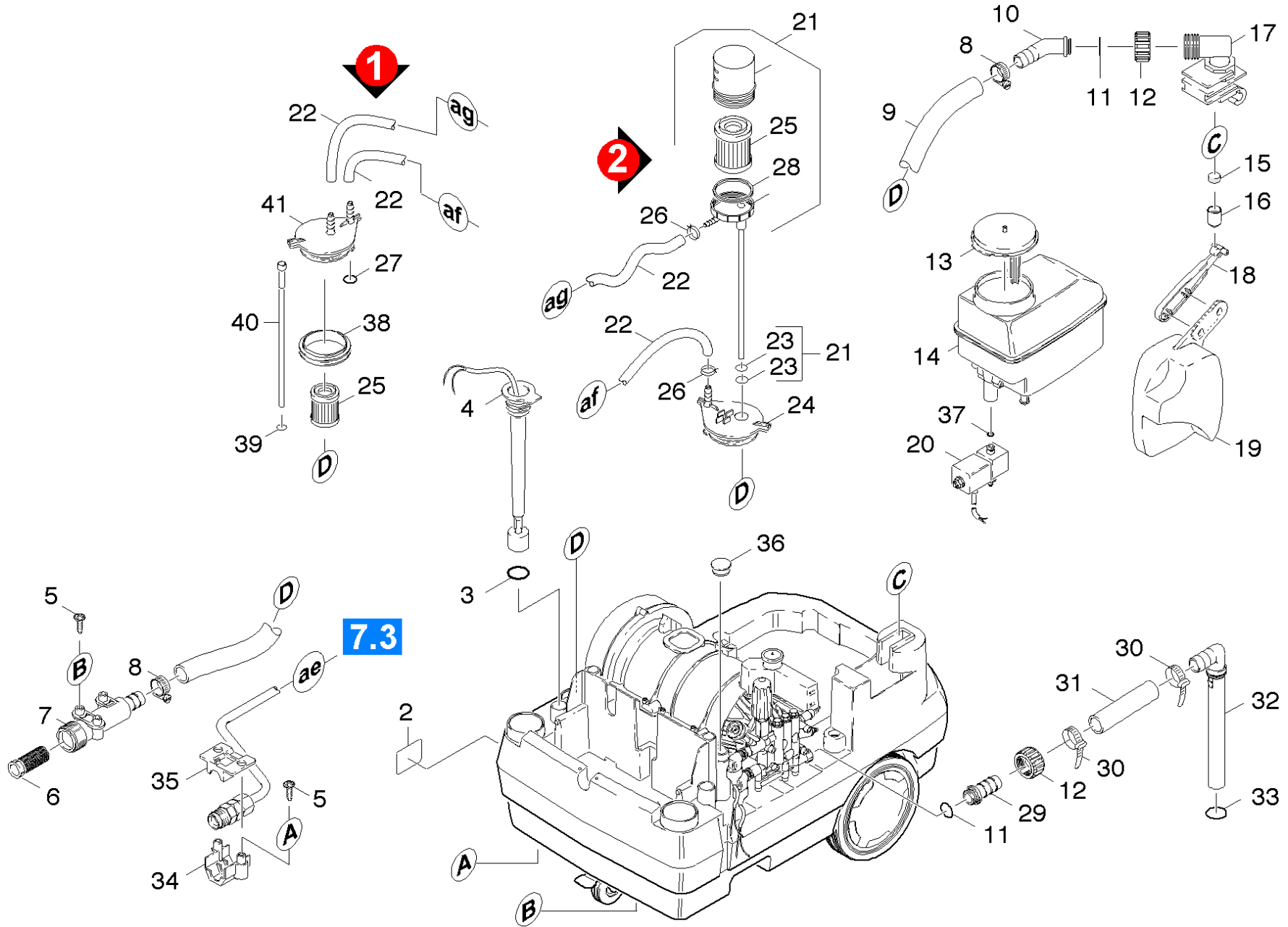
74 Burner bottom

POS	Article no.	Description	Quantity	Unit	Remark
4	4.655-044.0	Bottom pressure boiler	1.000	ST	
2	7.311-112.0	Hexagon nut M22X1,5 -22H-A2E DIN 936	2.000	ST	VERSION 2
6	7.311-155.0	Hexagon nut M22x1,5 -Cu2 DIN 936	2.000	ST	VERSION 1
3	4.421-584.0	Pipelines boiler HD	1.000	ST	
7	5.365-068.0	Profile gasket	2.000	ST	VERSION 1
5	2.889-061.0	Refractory material 8kg	1.000	ST	
1	6.366-009.0	Seal string	1.000	ST	
8	5.263-064.0	Tensioning part	1.000	ST	



4 Bottom pressure boiler (4.655-044.0)

POS	Article no.	Description	Quantity	Unit
6	6.869-024.0	Quick-bonding agent	0.004	ZST
4	6.366-009.0	Seal string	1.000	ST



80 Float chest

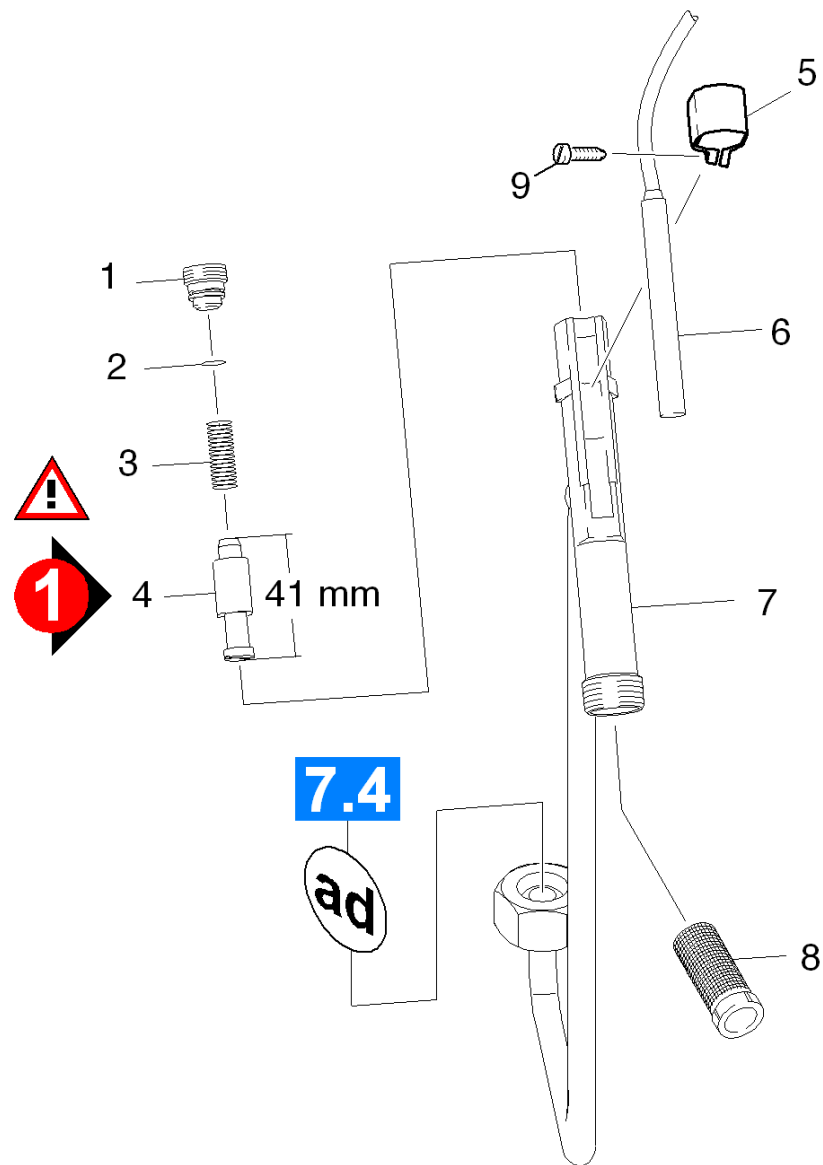
POS	Article no.	Description	Quantity	Unit	Foot note text
30	6.641-474.0	Cable tape 8-210	2.000	ST	
13	5.063-357.0	Cover	1.000	ST	
24	5.064-179.0	Cover	1.000	ST	
41	5.063-856.0	Cover filter housing	1.000	ST	
36	6.368-319.0	Drain plug	1.000	ST	
21	4.730-117.0	Filter complete	1.000	ST	
25	6.414-559.0	Filter fuel	1.000	ST	
15	5.364-095.0	Flat gasket	1.000	ST	
19	5.585-030.0	Float	1.000	ST	
22	6.389-534.0	Hose	1.000	M	TO ORDER AS CUT GOODS
8	6.388-547.0	Hose clip	2.000	ST	
	Item text1: / 1.170-101.0				
26	6.389-768.0	Hose clip	2.000	ST	
8	6.388-548.0	Hose clip	2.000	ST	
	Item text1: / 1.170-104.0				
32	5.443-459.0	Hose connection	1.000	ST	
9	6.388-719.0	Hose DN17	1.000	M	TO ORDER AS CUT GOODS
10	5.443-285.0	Hose stem	1.000	ST	
29	5.443-365.0	HOSE STEM (HDS555C)	1.000	ST	
38	5.363-533.0	Joint ring fuel	1.000	ST	
2	5.383-342.0	Label fuel oil einfuellen	1.000	ST	
4	2.885-127.0	Level probe 047-nur fuer Ersatz-	1.000	ST	
18	5.481-256.0	Lever	1.000	ST	
7	5.427-249.0	Manifold	1.000	ST	
12	5.310-062.0	Nut	2.000	ST	
37	6.362-113.0	O-Ring seal 6,0 x 2,0 NBR 70	1.000	ST	
39	6.362-690.0	O-Ring seal 7x2 - NBR 70	1.000	ST	
27	6.362-499.0	O-Ring seal 8,0 X 2,2	1.000	ST	
23	6.362-384.0	O-Ring seal 9x1,5 - NBR 70	2.000	ST	
11	6.362-078.0	O-Ring seal 13,3x2,4	2.000	ST	
33	6.362-161.0	O-Ring seal 19,3 X 2,4	1.000	ST	
3	7.362-500.0	O-Ring seal 25x2,5-NBR 70 DIN 3770	1.000	ST	
31	6.392-257.0	Piece of tube 19x4x80	1.000	ST	

80 Float chest

POS	Article no.	Description	Quantity	Unit	Foot note text
5	7.303-114.0	Screw 6 x 35-ST-10.9-R2R (IN6RD)	4.000	ST	
28	5.363-629.0	Seal	1.000	ST	
20	6.685-845.0	Solenoid valve	1.000	ST	
6	6.414-141.0	Strainer	1.000	ST	
14	4.070-313.0	Tank	1.000	ST	
35	5.263-066.0	Tensioning part	1.000	ST	
34	5.263-065.0	Tensioning part	1.000	ST	
40	5.029-486.0	Tube	1.000	ST	
17	5.587-195.0	Valve housing	1.000	ST	
16	5.584-085.0	Valve pin	1.000	ST	

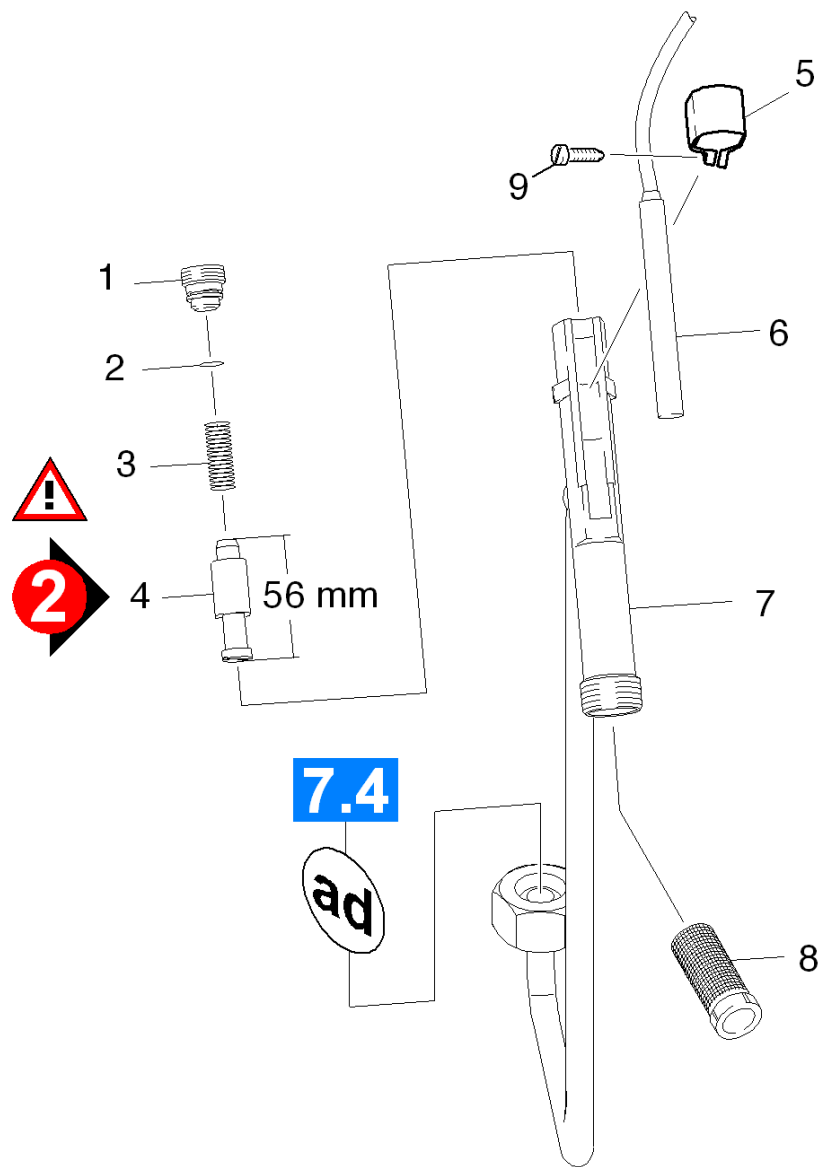
90 Safety system

POS	Description	Quantity	Unit	Remark
92	Safety system	1.000	ST	VERSION 2
91	Safety system	1.000	ST	VERSION 1



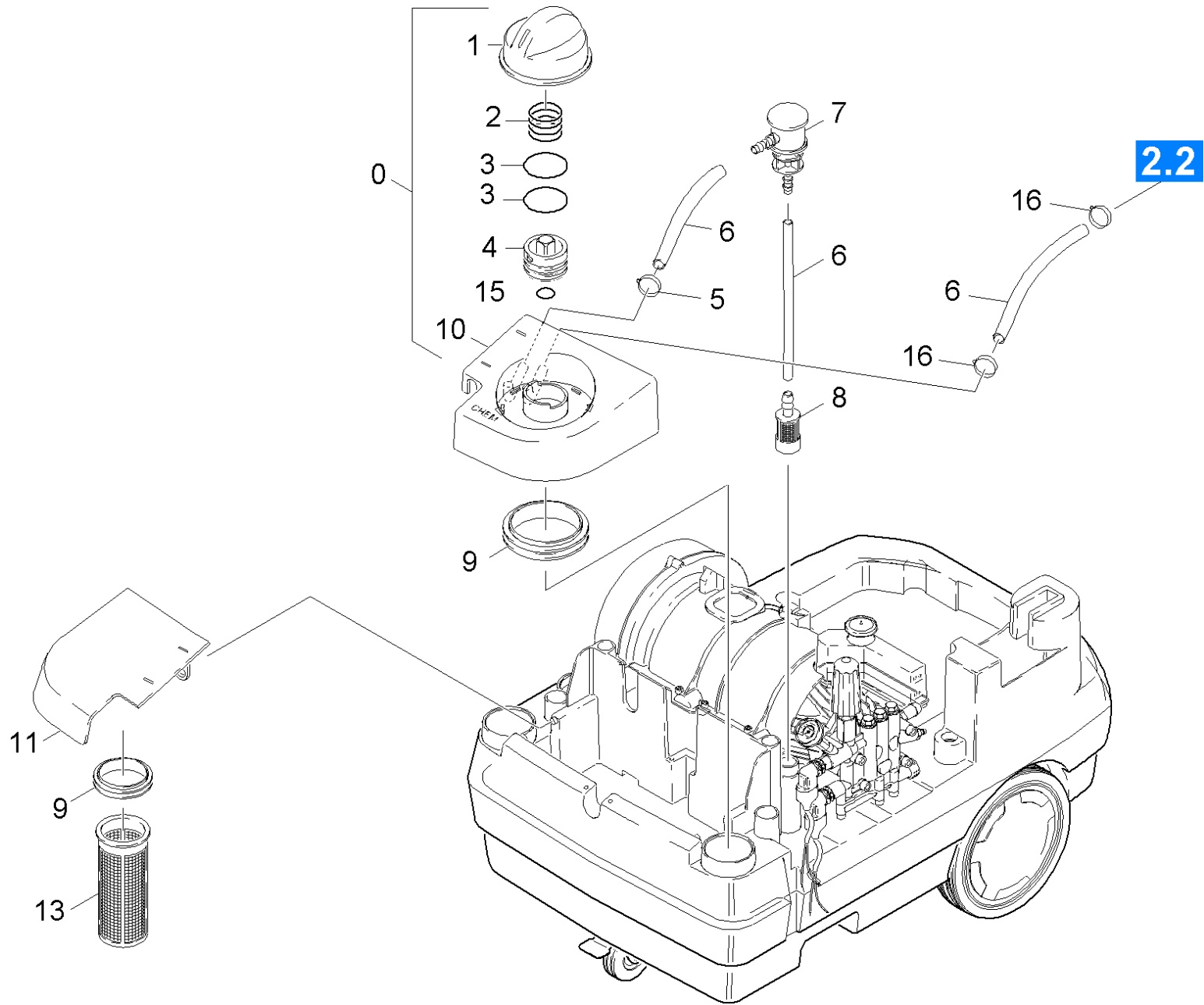
91 Safety system

POS	Article no.	Description	Quantity	Unit
5	5.041-076.0	Clamp	1.000	ST
3	5.332-057.0	Helical spring	1.000	ST
9	6.303-122.0	M4 .2X13 DIN 7981 TORX T15 PAN HD HI/LO	1.000	ST
7	4.427-198.0	Manifold	1.000	ST
2	6.362-482.0	O-Ring seal 10 x 1,5-NBR 70	1.000	ST
4	4.553-022.0	Piston	1.000	ST
6	2.883-384.0	Reed switch replacement	1.000	ST
1	5.305-162.0	Shaped screw	1.000	ST
8	6.414-566.0	Strainer WMS	1.000	ST



92 Safety system

POS	Article no.	Description	Quantity	Unit
4	4.551-058.0	Cartridge protection against water short	1.000	ST
5	5.041-076.0	Clamp	1.000	ST
3	5.332-057.0	Helical spring	1.000	ST
9	6.303-122.0	M4 .2X13 DIN 7981 TORX T15 PAN HD HI/LO	1.000	ST
7	4.427-336.0	Manifold	1.000	ST
2	6.362-482.0	O-Ring seal 10 x 1,5-NBR 70	1.000	ST
6	2.883-384.0	Reed switch replacement	1.000	ST
1	5.305-162.0	Shaped screw	1.000	ST
8	6.414-566.0	Strainer WMS	1.000	ST

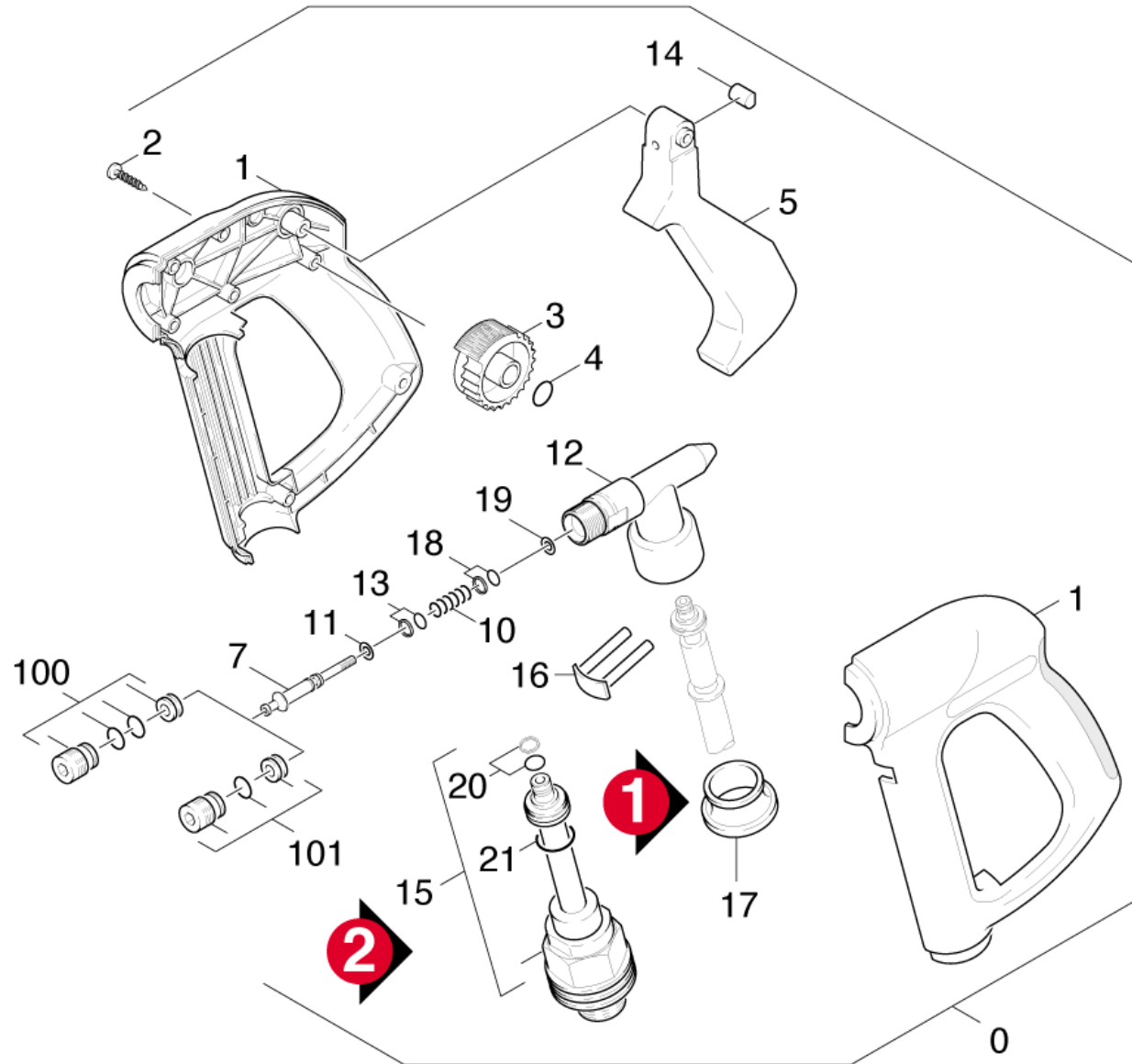


100 Chemistry

POS	Article no.	Description	Quantity	Unit	Foot note text
10	5.063-858.0	Cover chemistry	1.000	ST	
11	5.063-859.0	Cover fuel	1.000	ST	
13	5.731-039.0	Filter	1.000	ST	
8	5.731-652.0	Filter with weight	1.000	ST	
1	5.321-578.0	Handhold	1.000	ST	
2	5.332-463.0	Helical spring	1.000	ST	
6	6.391-341.0	Hose chemistry DN 6	1.000	M	TO ORDER AS CUT GOODS
5	6.389-924.0	Hose clip	1.000	ST	
16	6.390-449.0	Hose clip	1.000	ST	
17	6.390-426.0	Hose DN 5	1.000	M	TO ORDER AS CUT GOODS
9	5.363-542.0	Joint ring	2.000	ST	
15	6.362-386.0	O-Ring seal 5,0 x 1,5-NBR 80	1.000	ST	
3	6.412-727.0	O-Ring seal 25,0 X 2,6	2.000	ST	
7	5.132-134.0	Plug	1.000	ST	
4	7.777-999.0	Stockpiling discontinued	1.000	ST	
0	4.580-367.0	Valve chemistry only for replacement	1.000	ST	

110 Accessories

POS	Description	Quantity	Unit	Remark
111	Hand trigger gun	1.000	ST	VERSION 1
113	Hand trigger gun	1.000	ST	VERSION 3
114	Hand trigger gun	1.000	ST	VERSION 4
	Item text1: 1.170-115.0			
112	Hand trigger gun	1.000	ST	VERSION 2
118	High pressure hose	1.000	ST	
117	Jet pipe	1.000	ST	VERSION 3
116	Jet pipe	1.000	ST	VERSION 2
115	Jet pipe	1.000	ST	VERSION 1



111 Hand trigger gun

POS	Article no.	Description	Quantity	Unit
15	4.421-275.3	Adapter pipelines	1.000	ST
14	5.316-400.0	Bolt	1.000	ST
1	5.321-494.0	Handhold few	1.000	ST
	Item text1: 1.170-115.0			
1	5.321-534.0	Handhold few	1.000	ST
	Item text1: 1.170-101.0 /-102.0 /-103.0 /-104.0			
	Item text2: /-110.0 /-111.0 /-114.0 /-201.0 /			
3	5.322-012.0	Hand wheel	1.000	ST
	Item text1: 1.170-101.0 /-102.0 /-103.0 /-104.0			
	Item text2: /-110.0 /-111.0 /-114.0 /-201.0 /			
3	5.322-011.0	Hand wheel	1.000	ST
	Item text1: 1.170-115.0			
10	5.332-384.0	Helical spring	1.000	ST
	Item text1: 1.170-115.0			
10	5.332-413.0	Helical spring	1.000	ST
	Item text1: 1.170-101.0 /-102.0 /-103.0 /-104.0			
	Item text2: /-110.0 /-111.0 /-114.0 /-201.0 /			
16	4.037-013.0	Hook	1.000	ST
5	5.481-178.0	Lever	1.000	ST
12	5.427-205.0	Manifold	1.000	ST
	Item text1: 1.170-115.0			
12	5.427-253.0	Manifold	1.000	ST
	Item text1: 1.170-101.0 /-102.0 /-103.0 /-104.0			
	Item text2: /-110.0 /-111.0 /-114.0 /-201.0 /			
4	6.362-642.0	O-Ring d. 7,65x1,78 -NBR 80	1.000	ST
21	6.362-486.0	O-Ring seal 4,7 X 1,9 -NBR 70	1.000	ST
13	6.362-964.0	O-Ring seal complete	1.000	ST
	Item text1: 1.170-101.0 /-102.0 /-103.0 /-104.0			
	Item text2: /-110.0 /-111.0 /-114.0 /-201.0 /			
18	6.362-992.0	O-Ring seal complete 2,6X1,9	1.000	ST
20	4.363-691.0	O-Ring seal kpl. -nur fuer Ersatz-	1.000	ST
7	5.553-348.0	Piston	1.000	ST
	Item text1: 1.170-101.0 /-102.0 /-103.0 /-104.0			

111 Hand trigger gun

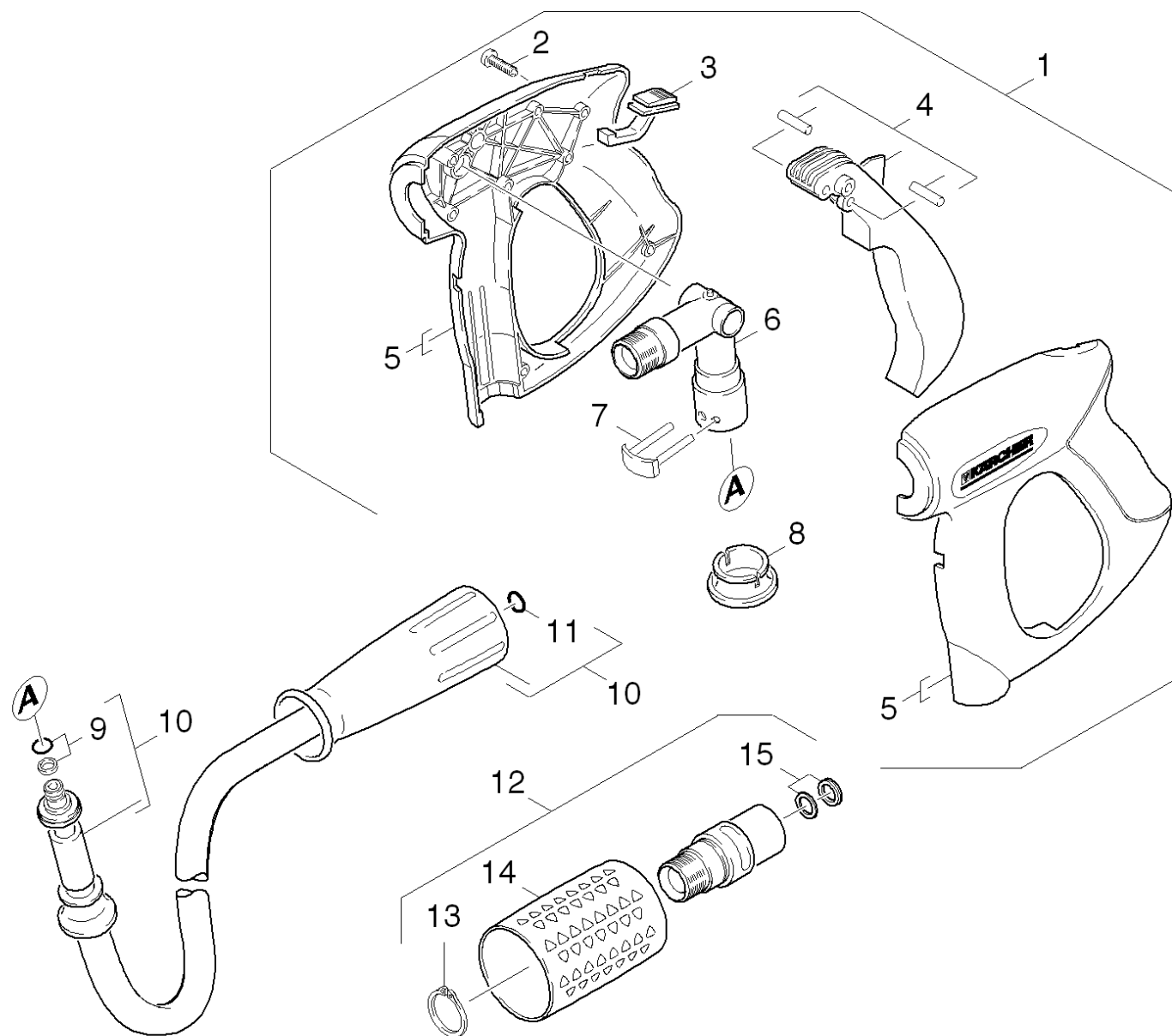
POS	Article no.	Description	Quantity	Unit
		Item text2: /-110.0 /-111.0 /-114.0 /-201.0 /		
7	5.553-347.0	Piston	1.000	ST
		Item text1: 1.170-115.0		
2	7.303-096.0	Screw 4x22 -ST-10.9-R2R (IN6RD)	8.000	ST
17	5.110-596.0	Sleeve	1.000	ST
		Item text1: 1.170-101.0 /-102.0 /-103.0 /-104.0		
		Item text2: /-110.0 /-111.0 /-114.0 /-201.0 /		
101	2.883-903.0	Spare part set	1.000	ST
		Item text1: 1.170-115.0		
100	2.883-888.0	Spare parts set	1.000	ST
		Item text1: 1.170-101.0 /-102.0 /-103.0 /-104.0		
		Item text2: /-110.0 /-111.0 /-114.0 /-201.0 /		
0	7.777-999.0	Stockpiling discontinued	1.000	ST
		Item text1: / -201.0		
11	5.115-675.0	Washer	1.000	ST
19	5.115-661.0	Washer	1.000	ST

100 Spare parts set (2.883-888.0)

POS	Article no.	Description	Quantity	Unit
10	5.404-079.0	Hollow screw	1.000	ST
30	6.362-182.0	O-Ring seal 7,65x1,78 - NBR 90	1.000	ST
40	6.362-503.0	O-Ring seal 8,0 X 1,0	1.000	ST
20	5.581-243.0	Valve seat	1.000	ST

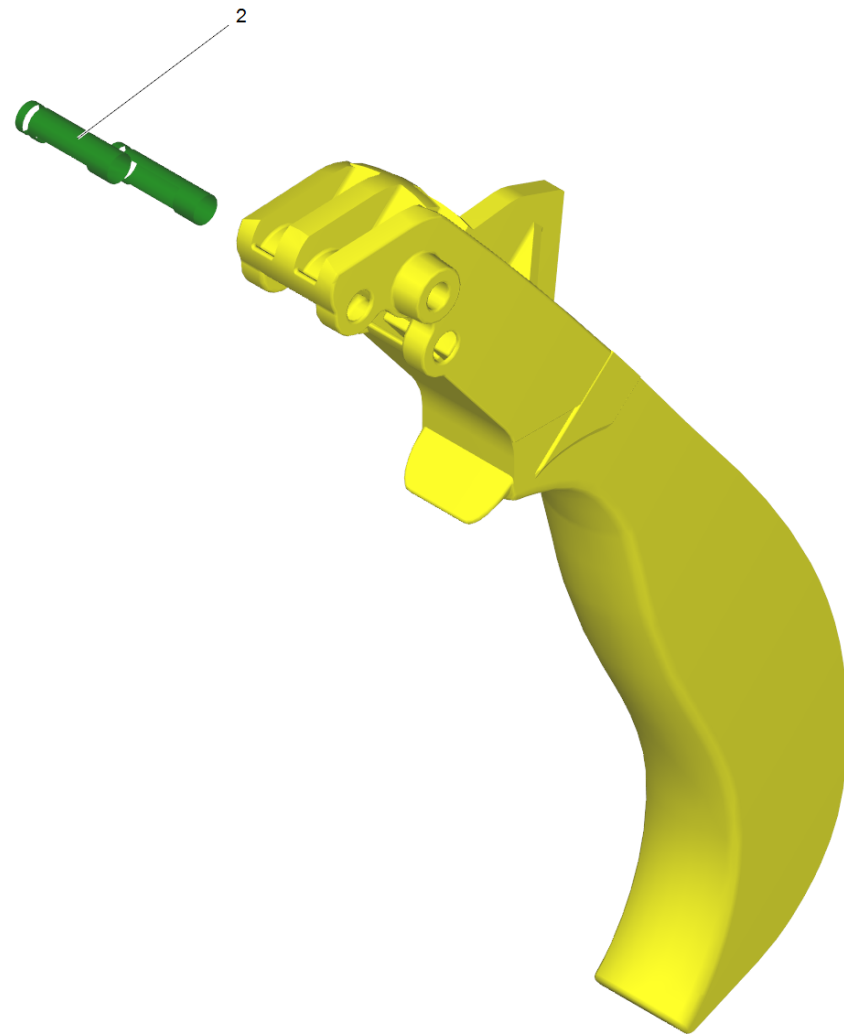
101 Spare part set (2.883-903.0)

POS	Article no.	Description	Quantity	Unit
40	6.590-004.0	Bag PE 80x100 mm	1.000	ST
10	5.404-068.0	Hollow screw	1.000	ST
30	6.362-642.0	O-Ring d. 7,65x1,78 -NBR 80	1.000	ST
20	5.581-211.0	Valve seat	1.000	ST



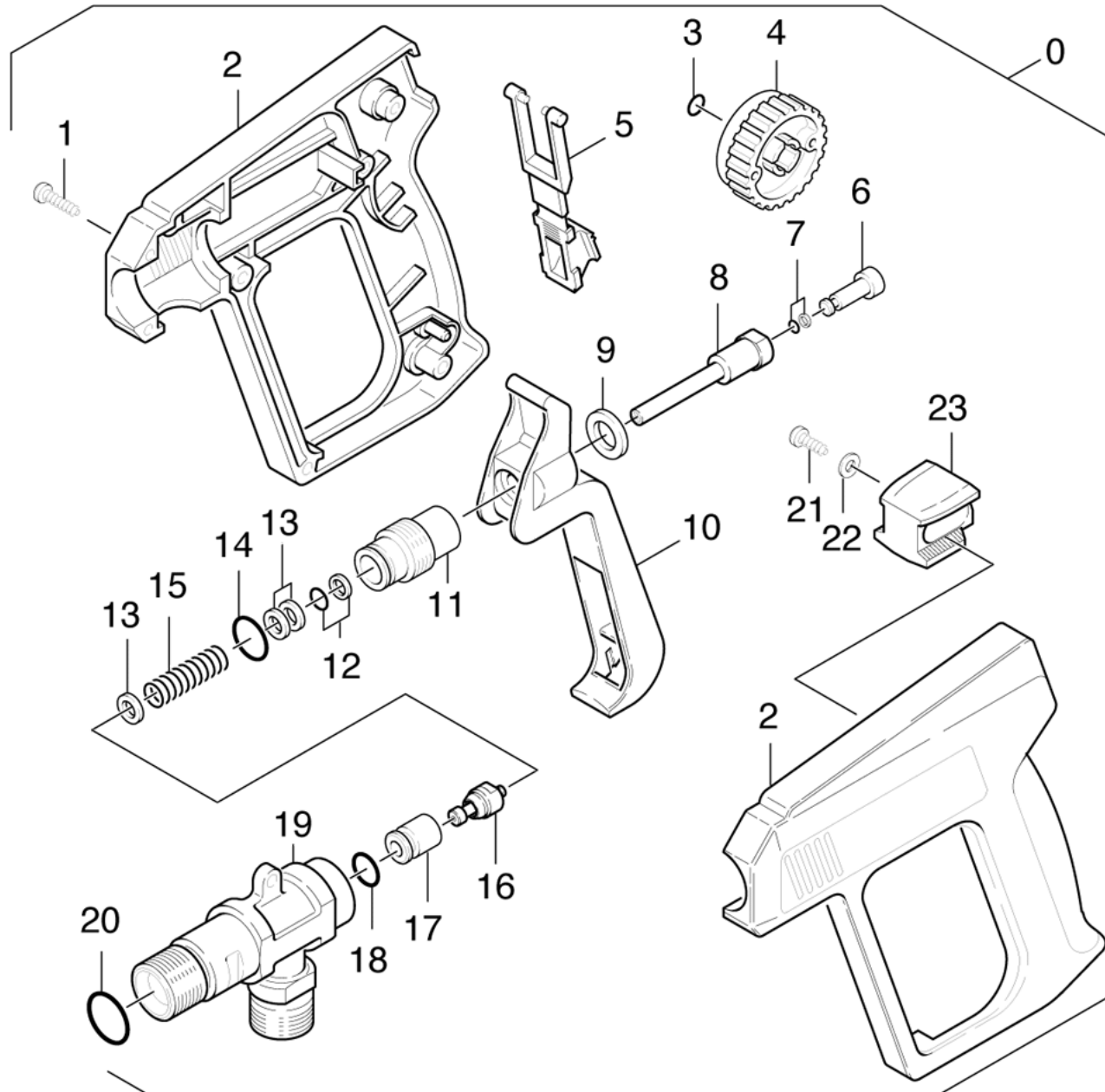
112 Hand trigger gun

POS	Article no.	Description	Quantity	Unit
15	4.363-695.0	Grooved ring only for replacement	1.000	ST
5	5.321-669.3	Handhold few	1.000	ST
14	5.321-668.0	Handle	1.000	ST
1	4.775-557.0	Hand trigger gun nipple 10 n.f.Ersatz	1.000	ST
	Item text1: 1.170-101.0 /-102.0 /-103.0 /-104.0			
	Item text2: /-110.0 /-111.0 /-114.0 /-201.0 /			
10	6.389-853.0	HIGH PRESSURE HOSE DN6 25MPa 10m	1.000	ST
	Item text1: 1.086-111.0 / -281.0 / -291.0 / -911.0 /			
7	4.037-013.0	Hook	1.000	ST
4	4.481-209.0	Lever complete	1.000	ST
13	7.343-008.0	Locking ring 25x1,2-St-vz DIN 471	1.000	ST
6	4.427-319.0	Manifold complete only for replacement	1.000	ST
9	4.363-691.0	O-Ring seal kpl. -nur fuer Ersatz-	1.000	ST
12	4.775-526.0	Rotary controller 270 l	1.000	ST
2	7.303-096.0	Screw 4x22 -ST-10.9-R2R (IN6RD)	7.000	ST
8	5.110-596.0	Sleeve	1.000	ST
3	5.481-331.0	Slider	1.000	ST
11	2.880-990.0	Spare part set O-Ring 5x -Kaercher	1.000	ST



4 Lever complete (4.481-209.0)

POS	Article no.	Description	Quantity	Unit
2	5.314-119.0	Pin	2.000	ST

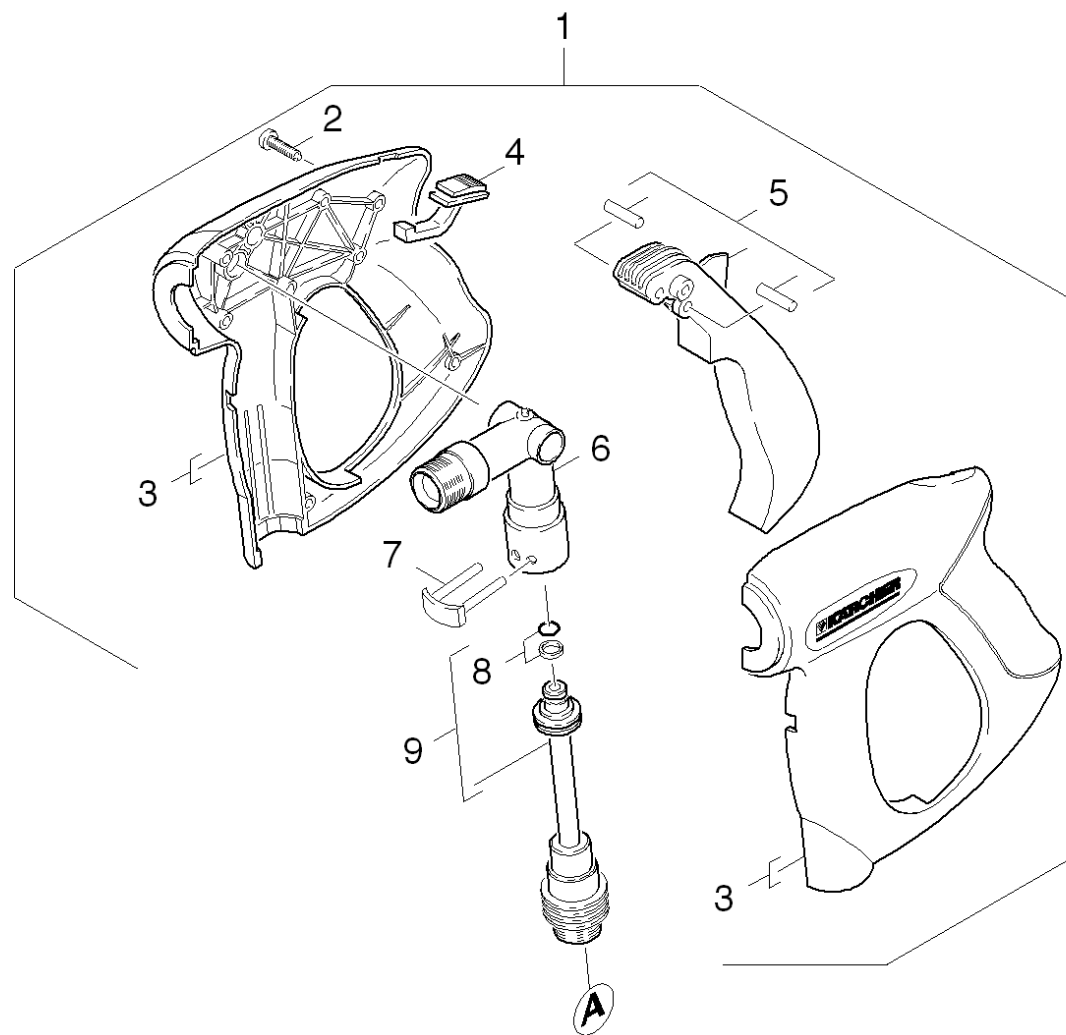


113 Hand trigger gun

POS	Article no.	Description	Quantity	Unit
8	5.107-062.0	Bar	1.000	ST
2	5.321-174.0	Handhold few	1.000	ST
0	4.775-026.0	Hand trigger gun	1.000	ST
	Item text1: / 1.170-110.0			
4	5.322-006.0	Hand wheel	1.000	ST
100	2.883-014.0	HDS 1290 GUN KIT	1.000	ST
15	5.332-140.0	Helical spring	1.000	ST
10	5.481-039.0	Lever	1.000	ST
19	5.427-079.0	Manifold	1.000	ST
23	5.030-459.0	Moulded part	1.000	ST
5	5.030-283.0	Moulded part	1.000	ST
3	6.362-176.0	O-Ring seal 6,07x1,78	1.000	ST
18	6.362-479.0	O-Ring seal 7,59X 2,62	1.000	ST
14	6.362-478.0	O-Ring seal 12,42X 1,78	1.000	ST
20	6.362-496.0	O-Ring seal 17,12X 2,62-NBR 70	1.000	ST
12	6.362-468.0	O-Ring seal complete 1ST.-R.	1.000	ST
7	6.362-477.0	O-Ring seal complete 1ST.-R.	1.000	ST
21	6.303-025.0	Oval head screw 4,2x16-St-vz	1.000	ST
6	5.553-118.0	Piston	1.000	ST
1	7.303-096.0	Screw 4x22 -ST-10.9-R2R (IN6RD)	8.000	ST
11	5.305-110.0	Shaped screw	1.000	ST
17	5.110-348.0	Sleeve	1.000	ST
16	4.581-049.0	Valve seat	1.000	ST
9	5.115-227.0	Washer	1.000	ST
13	5.115-260.0	Washer	3.000	ST
22	7.312-001.0	Washer 4 -200HV-A3E ISO 7089	1.000	ST

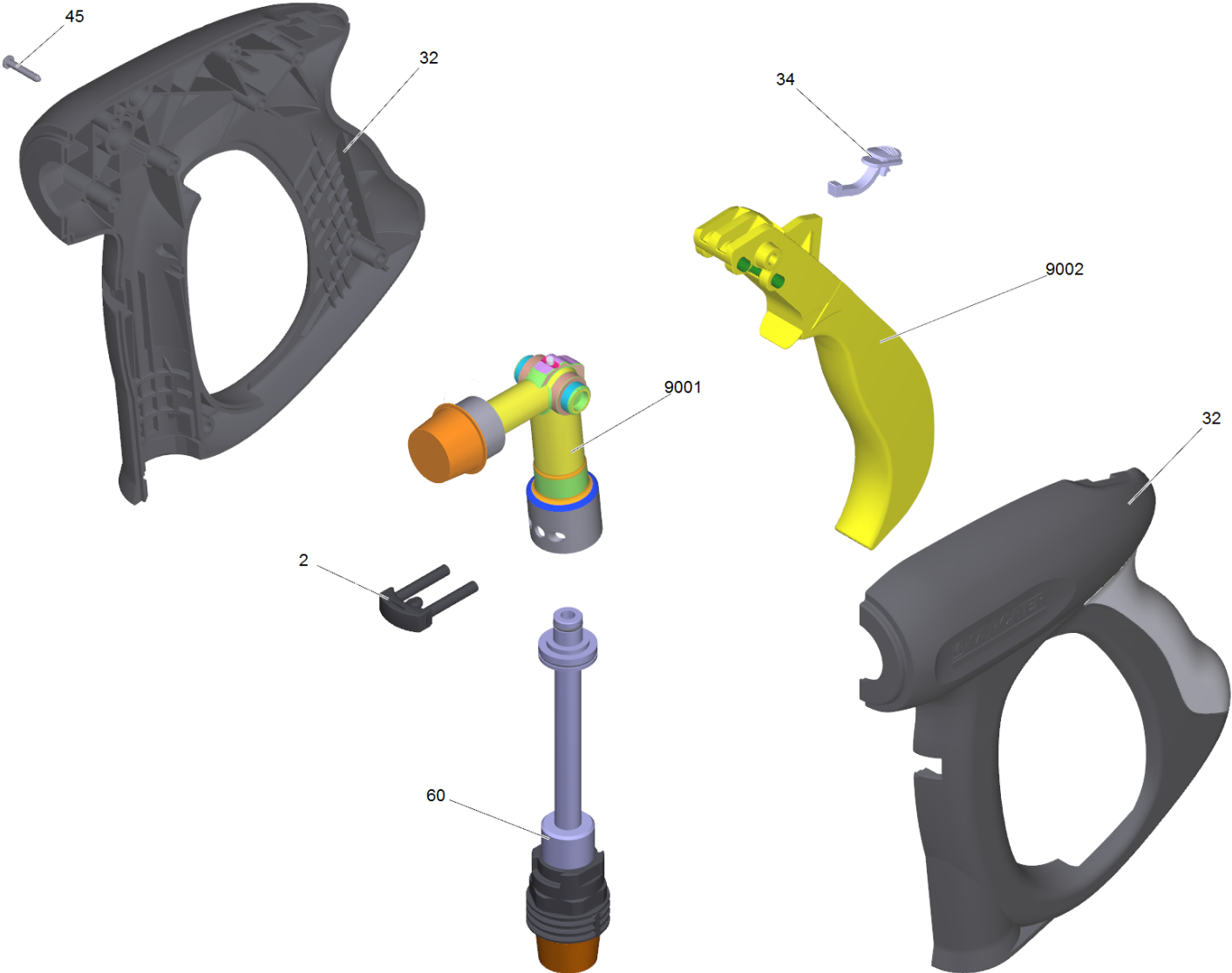
100 HDS 1290 GUN KIT (2.883-014.0)

POS	Article no.	Description	Quantity	Unit
30	5.332-140.0	Helical spring	1.000	ST
80	6.362-479.0	O-Ring seal 7,59X 2,62	1.000	ST
70	6.362-478.0	O-Ring seal 12,42X 1,78	1.000	ST
90	6.362-496.0	O-Ring seal 17,12X 2,62-NBR 70	1.000	ST
60	6.362-477.0	O-Ring seal complete 1ST.-R.	1.000	ST
50	6.362-468.0	O-Ring seal complete 1ST.-R.	1.000	ST
40	6.303-024.0	Oval head screw 4,2x22-ST-VERZ	8.000	ST
20	5.110-348.0	Sleeve	1.000	ST
10	4.581-049.0	Valve seat	1.000	ST



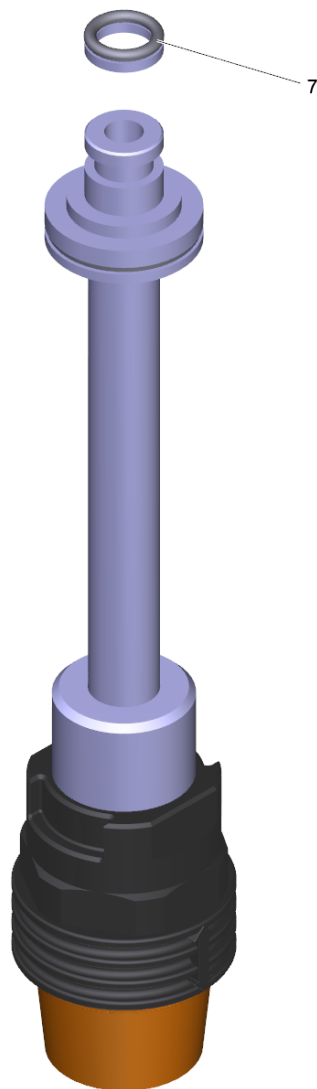
114 Hand trigger gun

POS	Article no.	Description	Quantity	Unit
9	4.421-739.3	Adapter pipelines AVS-M22x1,5	1.000	ST
3	5.321-669.3	Handhold few	2.000	ST
1	4.775-466.0	Hand trigger gun	1.000	ST
	Item text1: 1.173-116.0			
7	4.037-013.0	Hook	1.000	ST
5	4.481-209.0	Lever complete	1.000	ST
6	4.427-215.0	Manifold complete only for replacement	1.000	ST
8	4.363-691.0	O-Ring seal kpl. -nur fuer Ersatz-	1.000	ST
2	7.303-096.0	Screw 4x22 -ST-10.9-R2R (IN6RD)	7.000	ST
4	5.481-331.0	Slider	1.000	ST



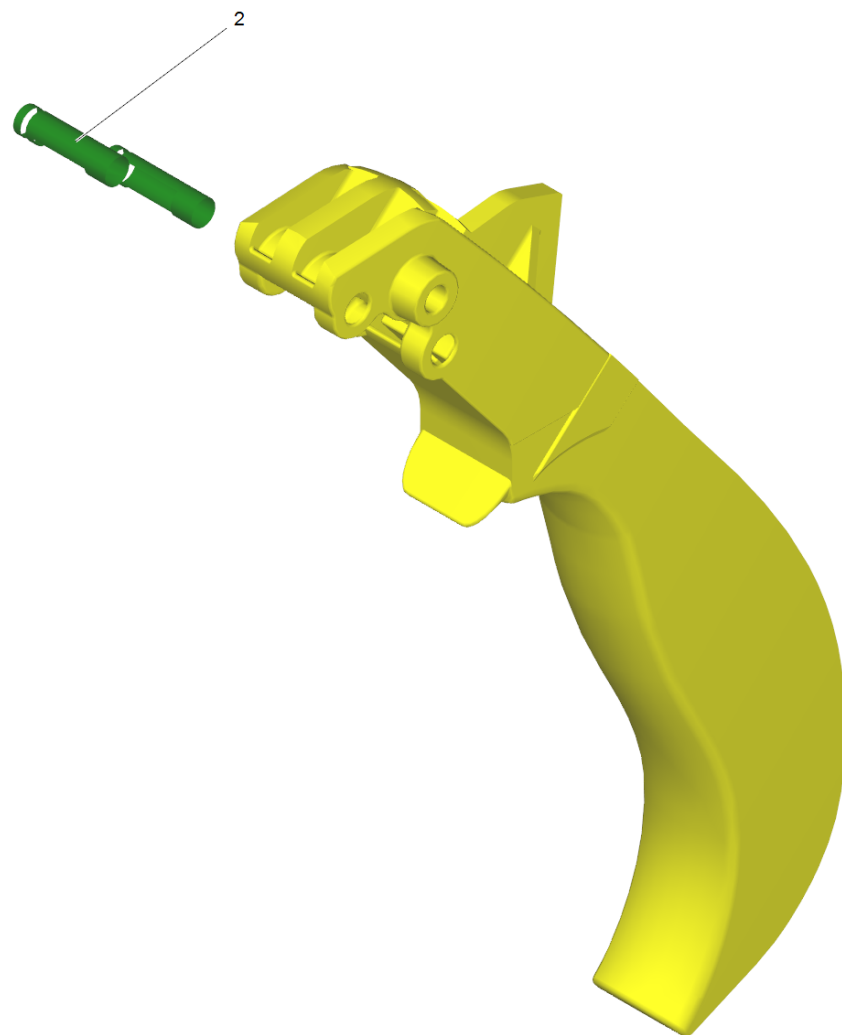
1 Hand trigger gun (4.775-466.0)

POS	Article no.	Description	Quantity	Unit
60	4.421-739.3	Adapter pipelines AVS-M22x1,5	1.000	ST
32	5.321-669.3	Handhold few	1.000	ST
2	4.037-013.0	Hook	1.000	ST
9002	4.481-209.0	Lever complete	1.000	ST
9001	4.427-215.0	Manifold complete only for replacement	1.000	ST
45	7.303-096.0	Screw 4x22 -ST-10.9-R2R (IN6RD)	7.000	ST
34	5.481-331.0	Slider	1.000	ST



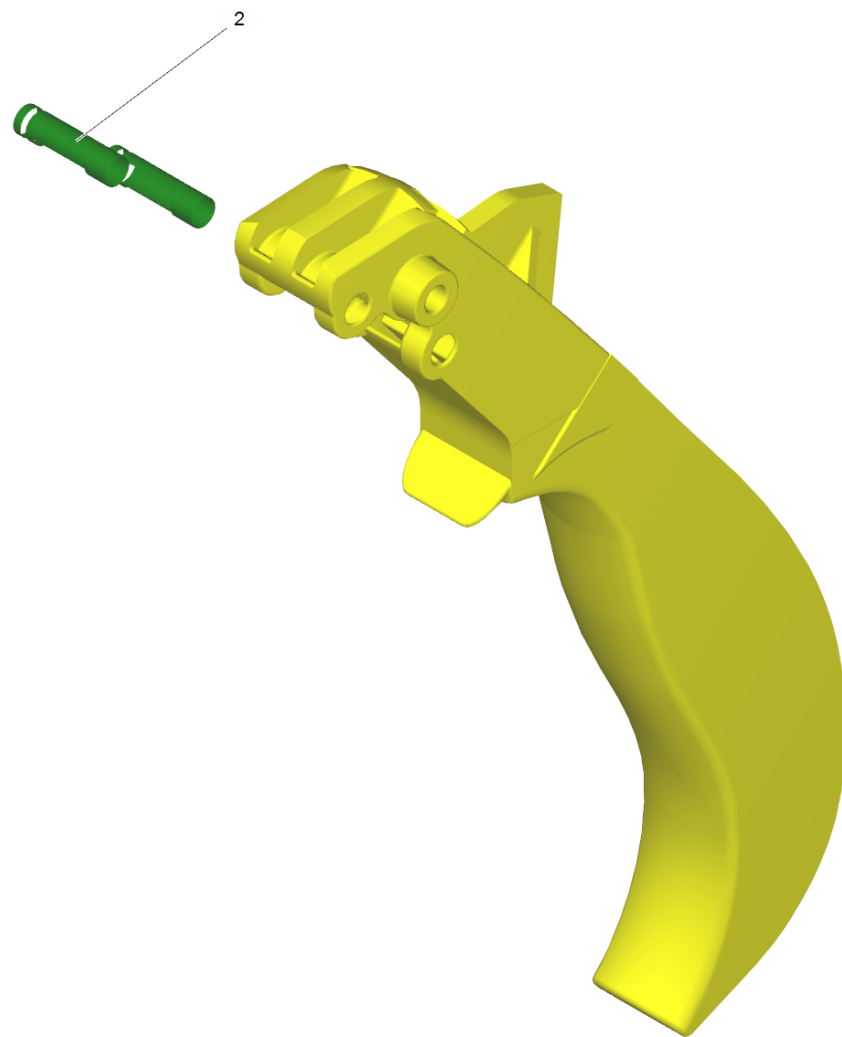
60 Adapter pipelines AVS-M22x1,5 (4.421-739.3)

POS	Article no.	Description	Quantity	Unit
7	4.363-691.0	O-Ring seal kpl. -nur fuer Ersatz-	1.000	ST



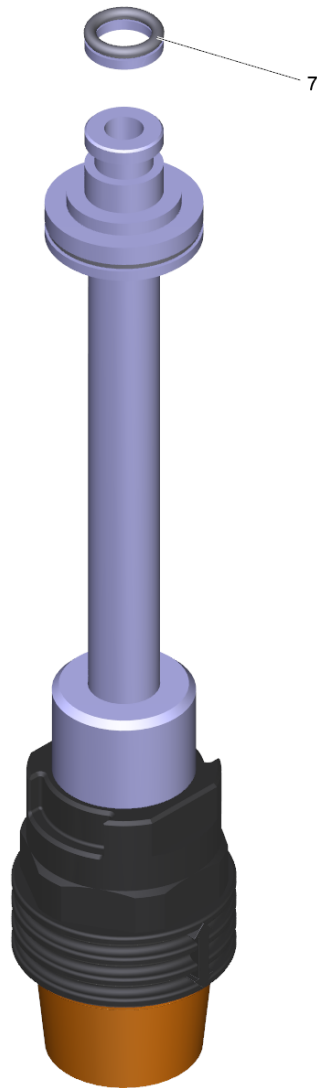
9002 Lever complete (4.481-209.0)

POS	Article no.	Description	Quantity	Unit
2	5.314-119.0	Pin	2.000	ST



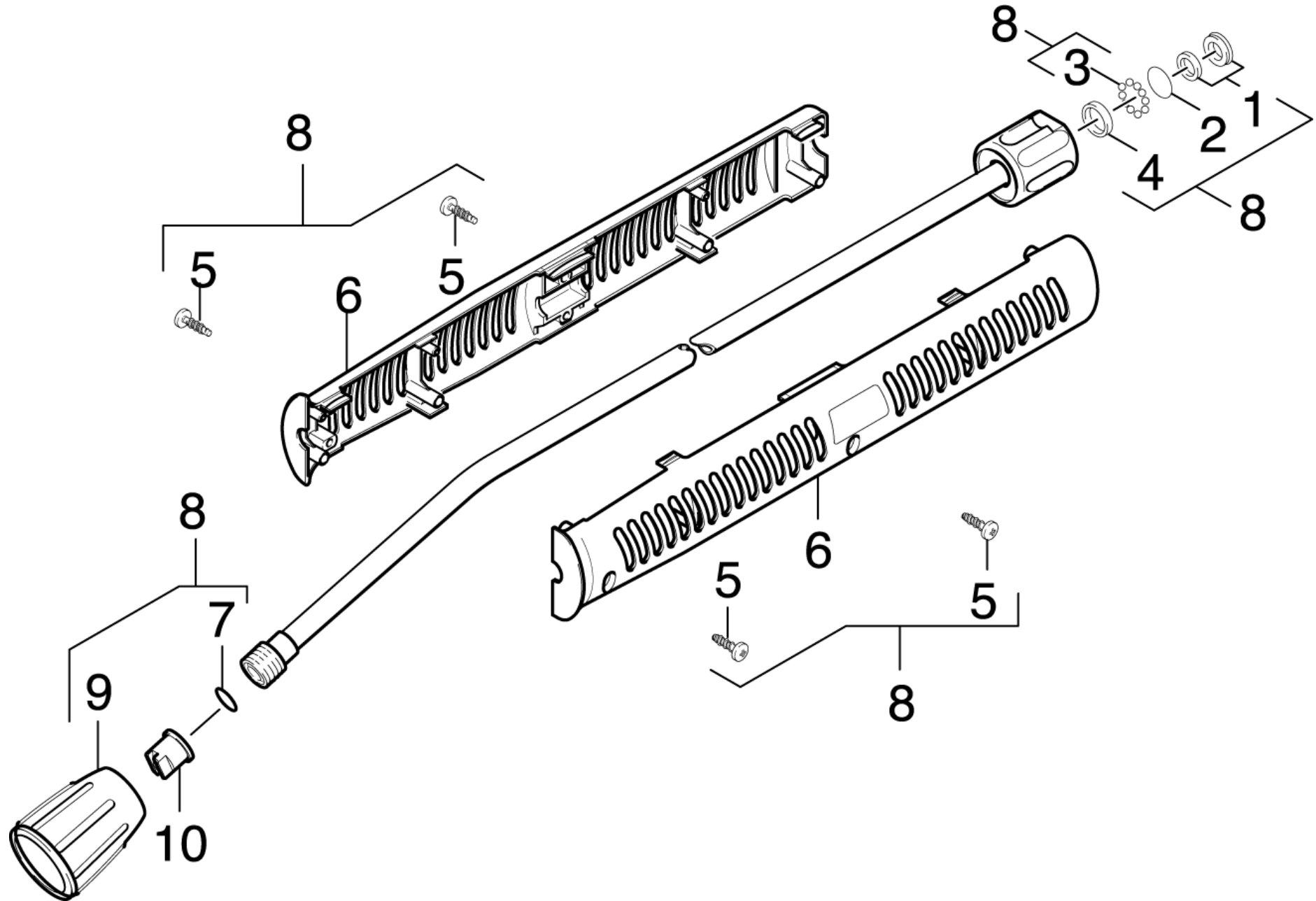
5 Lever complete (4.481-209.0)

POS	Article no.	Description	Quantity	Unit
2	5.314-119.0	Pin	2.000	ST



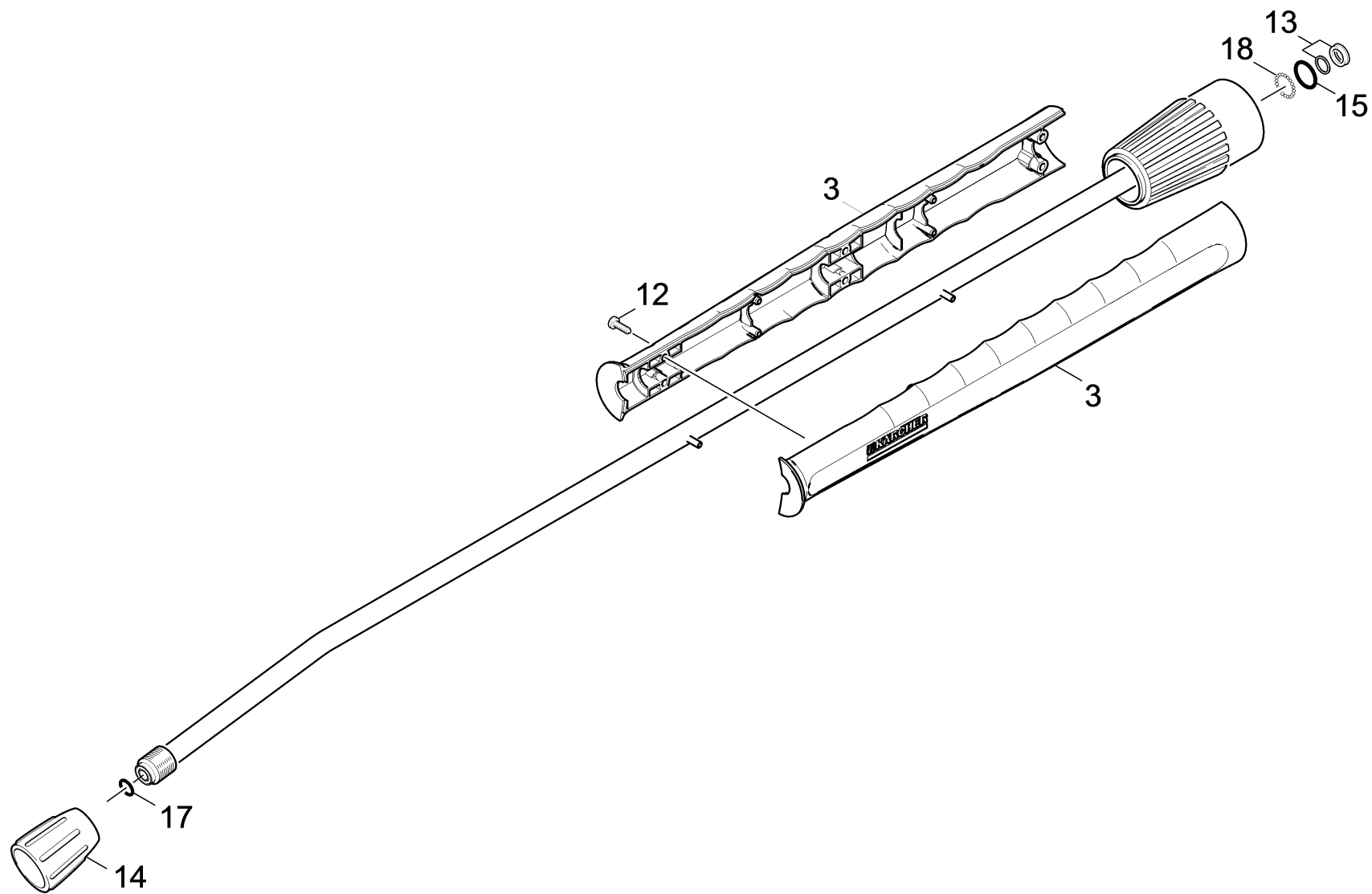
9 Adapter pipelines AVS-M22x1,5 (4.421-739.3)

POS	Article no.	Description	Quantity	Unit
7	4.363-691.0	O-Ring seal kpl. -nur fuer Ersatz-	1.000	ST



115 Jet pipe

POS	Article no.	Description	Quantity	Unit
1	4.363-692.0	Grooved ring kpl. -nur fuer Ersatz-	1.000	ST
6	5.321-150.0	HANDLE (PART NO=ONE HALF)	2.000	ST
8	4.760-660.0	Jet pipe packaged only for replacement	1.000	ST
4	6.362-529.0	Joint ring 12x1,5	1.000	ST
2	6.362-524.0	O-Ring seal 17,0 X 1,5	1.000	ST
5	6.303-025.0	Oval head screw 4,2x16-St-vz	4.000	ST
10	2.883-821.0	Power nozzle 25036	1.000	ST
10	2.883-893.0	Power nozzle 25041	1.000	ST
10	2.883-831.0	Power nozzle 25042	1.000	ST
10	2.883-803.0	Power nozzle only for replacement 25034	1.000	ST
9	5.401-129.0	Screw connector part	1.000	ST
7	2.880-990.0	Spare part set O-Ring 5x -Kaercher	1.000	ST
3	7.401-921.0	Sphere 4 G20 -1.4034 DIN 5401	12.000	ST

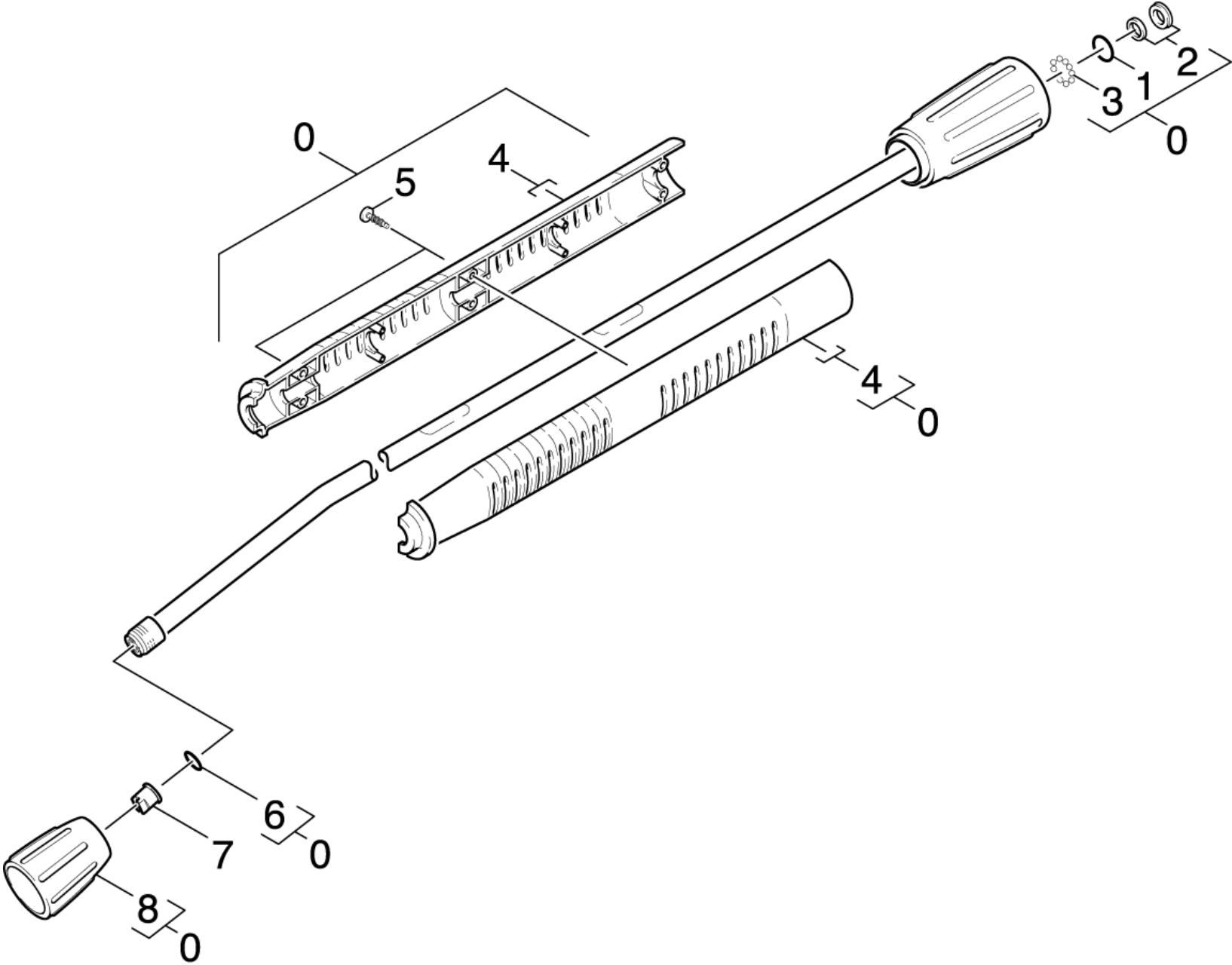


8 Jet pipe packaged only for replacement (4.760-660.0)

POS	Article no.	Description	Quantity	Unit
13	4.363-692.0	Grooved ring kpl. -nur fuer Ersatz-	1.000	ST
3	5.321-855.0	Handhold few jet pipe with welding bolt	1.000	ST
15	6.362-524.0	O-Ring seal 17,0 X 1,5	1.000	ST
12	7.303-129.0	Screw 4x16 -10.9-R2R (K-In6Rd)	6.000	ST
14	5.401-210.0	Screw connector part	1.000	ST
17	2.880-990.0	Spare part set O-Ring 5x -Kaercher	1.000	ST
18	7.401-915.0	Sphere 2,5 G20 -1.4034 DIN 5401	1.000	ST

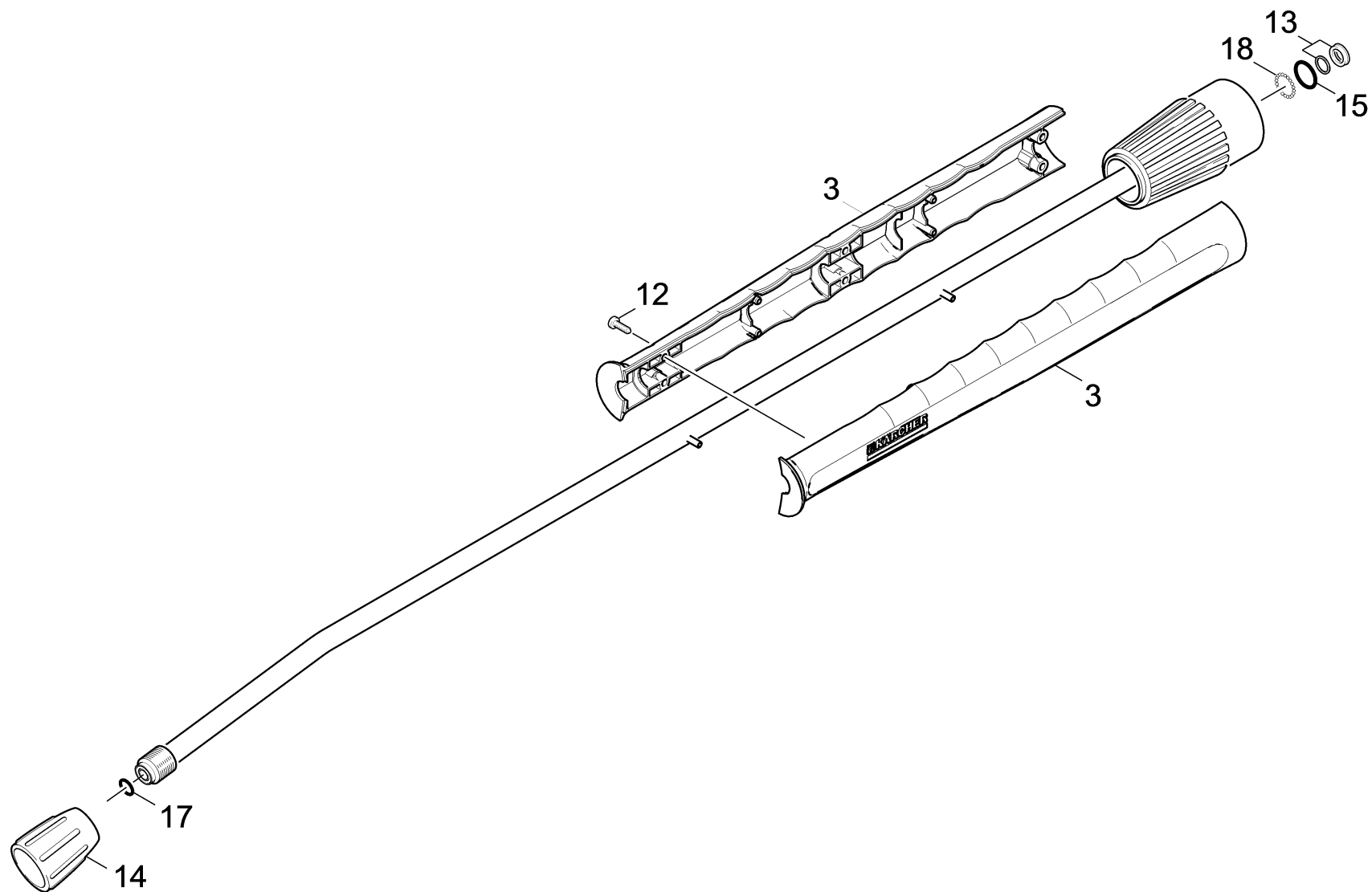
10 Power nozzle only for replacement 25034 (2.883-803.0)

POS	Article no.	Description	Quantity	Unit
2	7.362-501.0	O-Ring seal 10x2 EPDM 70 DIN 3770	1.000	ST



116 Jet pipe

POS	Article no.	Description	Quantity	Unit
2	4.363-692.0	Grooved ring kpl. -nur fuer Ersatz-	1.000	ST
4	5.321-691.0	Handhold few jet pipe	1.000	ST
0	4.760-660.0	Jet pipe packaged only for replacement	1.000	ST
6	2.880-154.0	O-Ring kit	1.000	ST
1	6.362-524.0	O-Ring seal 17,0 X 1,5	1.000	ST
5	6.303-025.0	Oval head screw 4,2x16-St-vz	6.000	ST
7	2.883-821.0	Power nozzle 25036	1.000	ST
	Item text1: / 1.170-110.0 / -115.0			
7	2.883-893.0	Power nozzle 25041	1.000	ST
	Item text1: / 1.170-111.0			
7	2.883-831.0	Power nozzle 25042	1.000	ST
	Item text1: / 1.170-102.0			
7	2.883-803.0	Power nozzle only for replacement 25034	1.000	ST
	Item text1: / 1.170-101.0 / -103.0 / -104.0			
	Item text2: / -114.0 / -201.0			
8	5.401-129.0	Screw connector part	1.000	ST
3	7.401-915.0	Sphere 2,5 G20 -1.4034 DIN 5401	20.000	ST

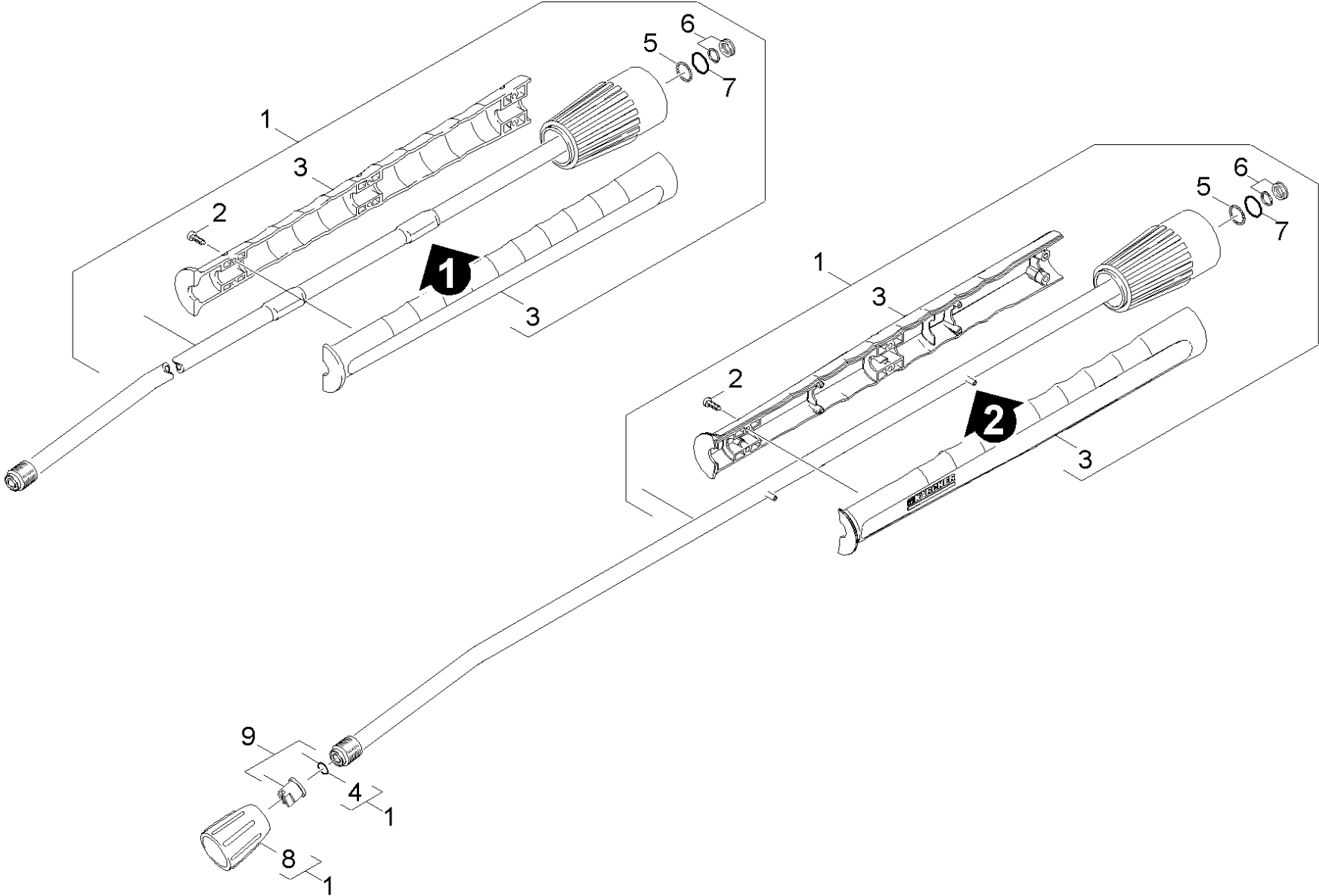


Jet pipe packaged only for replacement (4.760-660.0)

POS	Article no.	Description	Quantity	Unit
13	4.363-692.0	Grooved ring kpl. -nur fuer Ersatz-	1.000	ST
3	5.321-855.0	Handhold few jet pipe with welding bolt	1.000	ST
15	6.362-524.0	O-Ring seal 17,0 X 1,5	1.000	ST
12	7.303-129.0	Screw 4x16 -10.9-R2R (K-In6Rd)	6.000	ST
14	5.401-210.0	Screw connector part	1.000	ST
17	2.880-990.0	Spare part set O-Ring 5x -Kaercher	1.000	ST
18	7.401-915.0	Sphere 2,5 G20 -1.4034 DIN 5401	1.000	ST

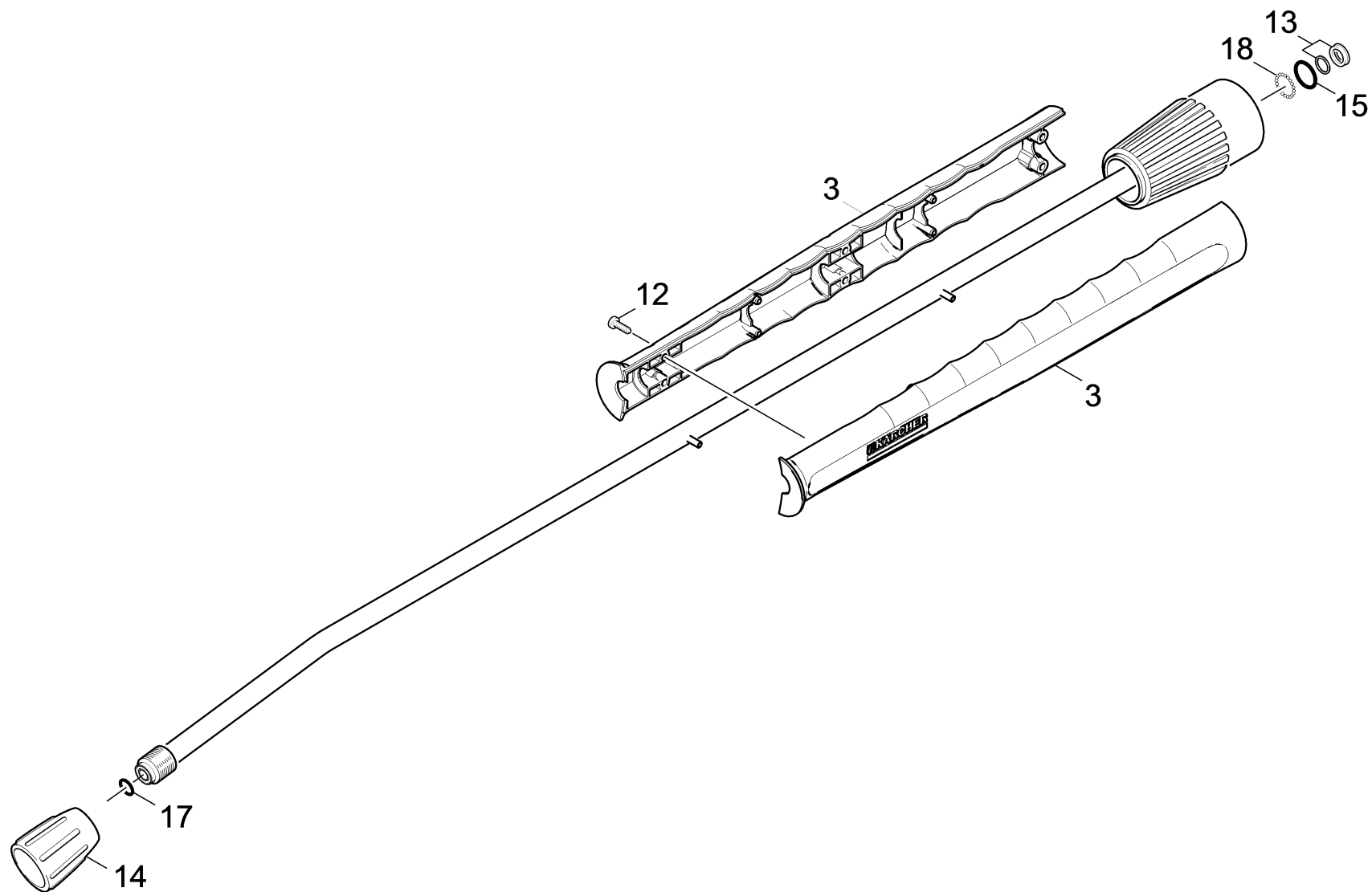
7 Power nozzle only for replacement 25034 (2.883-803.0)

POS	Article no.	Description	Quantity	Unit
2	7.362-501.0	O-Ring seal 10x2 EPDM 70 DIN 3770	1.000	ST



117 Jet pipe

POS	Article no.	Description	Quantity	Unit	Remark
6	4.363-692.0	Grooved ring kpl. -nur fuer Ersatz-	1.000	ST	
3	5.321-691.0	Handhold few jet pipe	1.000	ST	VERSION 1
3	5.321-855.0	Handhold few jet pipe with welding bolt	1.000	ST	VERSION 2
1	4.760-660.0	Jet pipe packaged only for replacement	1.000	ST	
7	6.362-524.0	O-Ring seal 17,0 X 1,5	1.000	ST	
9	2.883-821.0	Power nozzle 25036	1.000	ST	
	Item text1: / 1.170-110.0 / -115.0				
9	2.883-893.0	Power nozzle 25041	1.000	ST	
	Item text1: / 1.170-111.0				
9	2.883-831.0	Power nozzle 25042	1.000	ST	
	Item text1: / 1.170-102.0				
9	2.883-803.0	Power nozzle only for replacement 25034	1.000	ST	
	Item text1: / 1.170-101.0 / -103.0 / -104.0				
	Item text2: / -114.0 / -201.0				
2	7.303-129.0	Screw 4x16 -10.9-R2R (K-In6Rd)	6.000	ST	
8	5.401-129.0	Screw connector part	1.000	ST	
4	2.880-990.0	Spare part set O-Ring 5x -Kaercher	1.000	ST	
5	7.401-915.0	Sphere 2,5 G20 -1.4034 DIN 5401	20.000	ST	

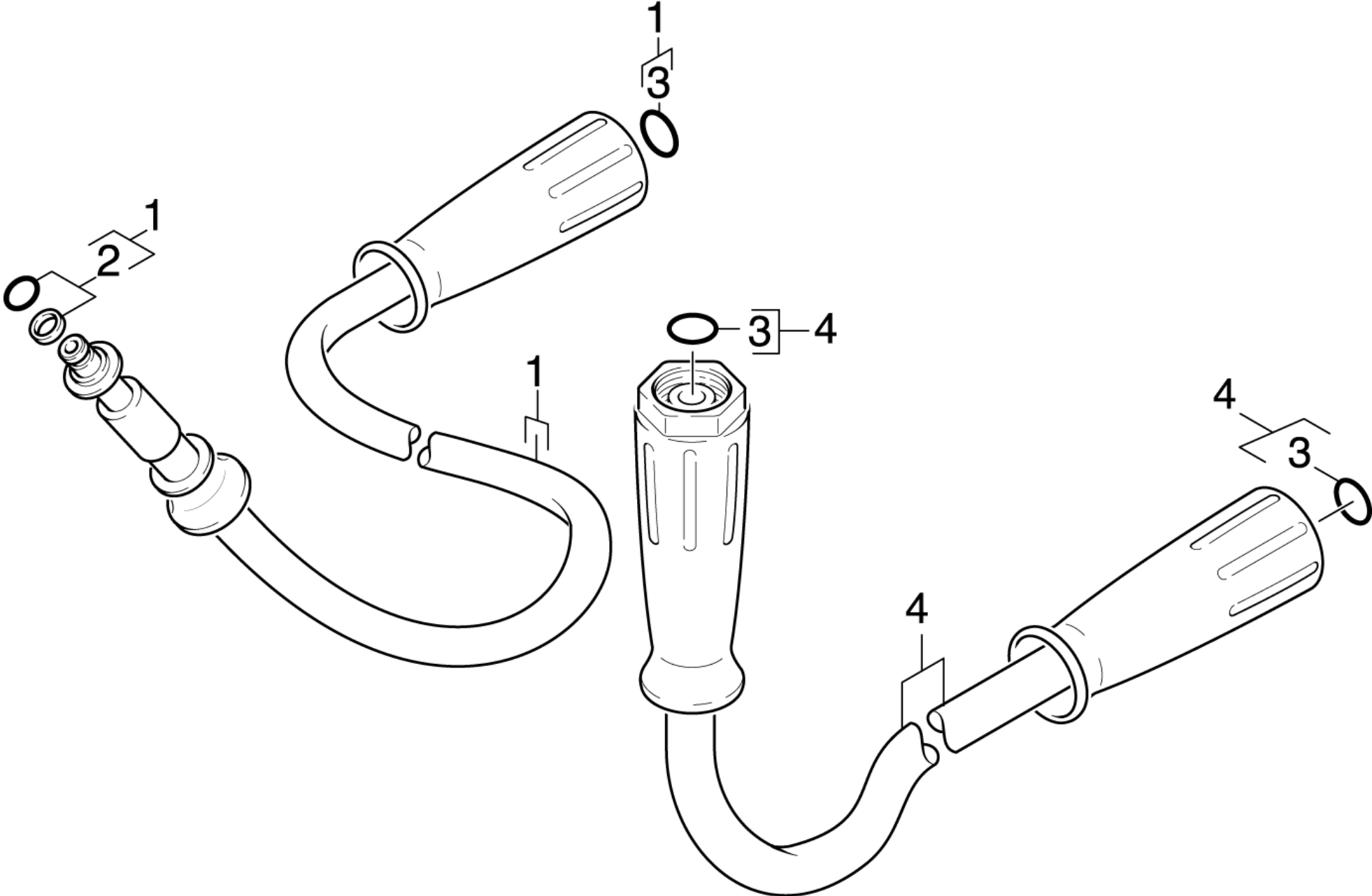


1 Jet pipe packaged only for replacement (4.760-660.0)

POS	Article no.	Description	Quantity	Unit
13	4.363-692.0	Grooved ring kpl. -nur fuer Ersatz-	1.000	ST
3	5.321-855.0	Handhold few jet pipe with welding bolt	1.000	ST
15	6.362-524.0	O-Ring seal 17,0 X 1,5	1.000	ST
12	7.303-129.0	Screw 4x16 -10.9-R2R (K-In6Rd)	6.000	ST
14	5.401-210.0	Screw connector part	1.000	ST
17	2.880-990.0	Spare part set O-Ring 5x -Kaercher	1.000	ST
18	7.401-915.0	Sphere 2,5 G20 -1.4034 DIN 5401	1.000	ST

9 Power nozzle only for replacement 25034 (2.883-803.0)

POS	Article no.	Description	Quantity	Unit
2	7.362-501.0	O-Ring seal 10x2 EPDM 70 DIN 3770	1.000	ST

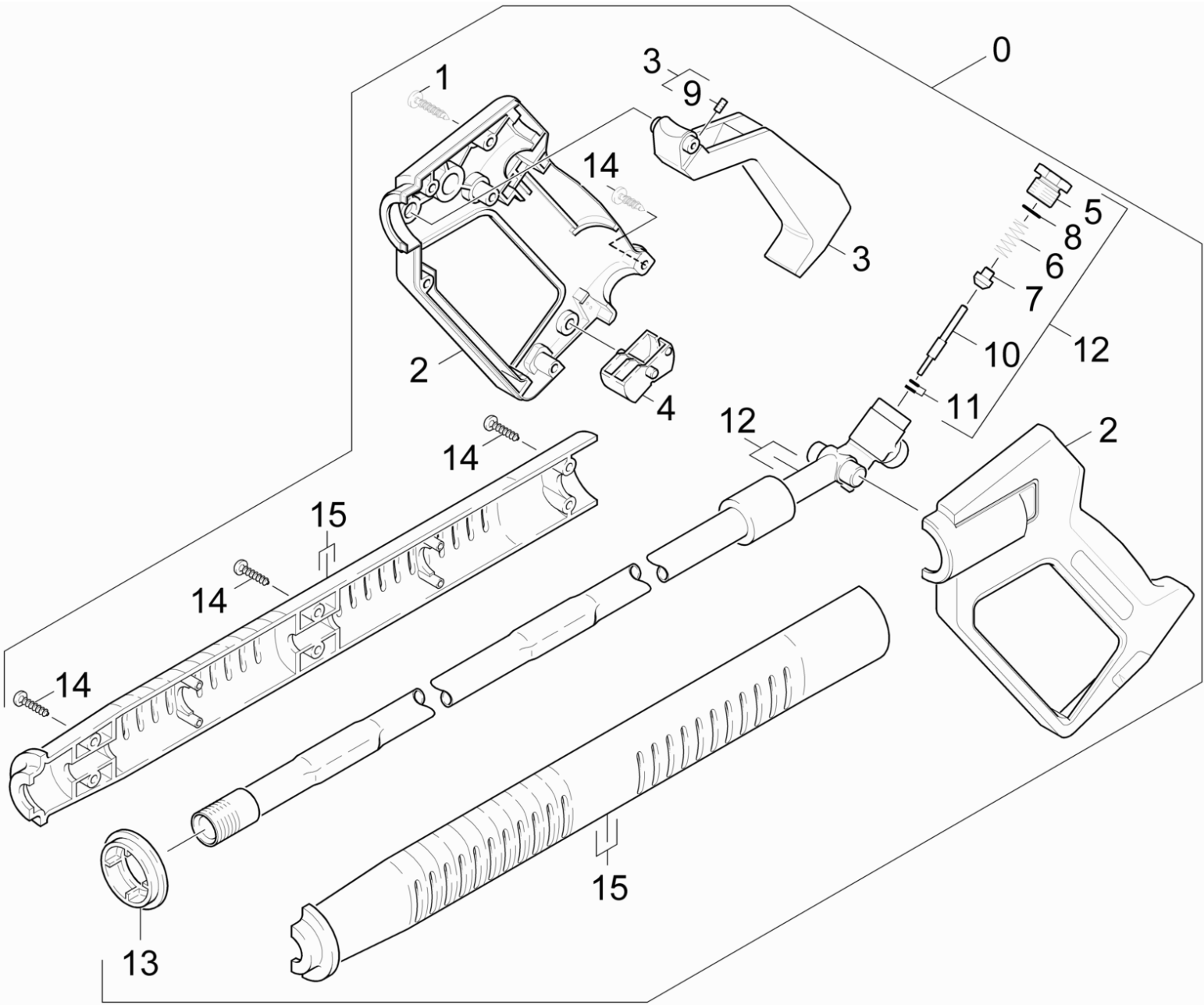


118 High pressure hose

POS	Article no.	Description	Quantity	Unit
1	6.389-853.0	HIGH PRESSURE HOSE DN6 25MPa 10m	1.000	ST
4	6.390-010.0	Hose assembly rotatable DN8 max.31,5MPa	1.000	ST
2	6.363-115.0	O-Ring seal complete 1ST.-R.	1.000	ST
3	2.880-990.0	Spare part set O-Ring 5x -Kaercher	1.000	ST

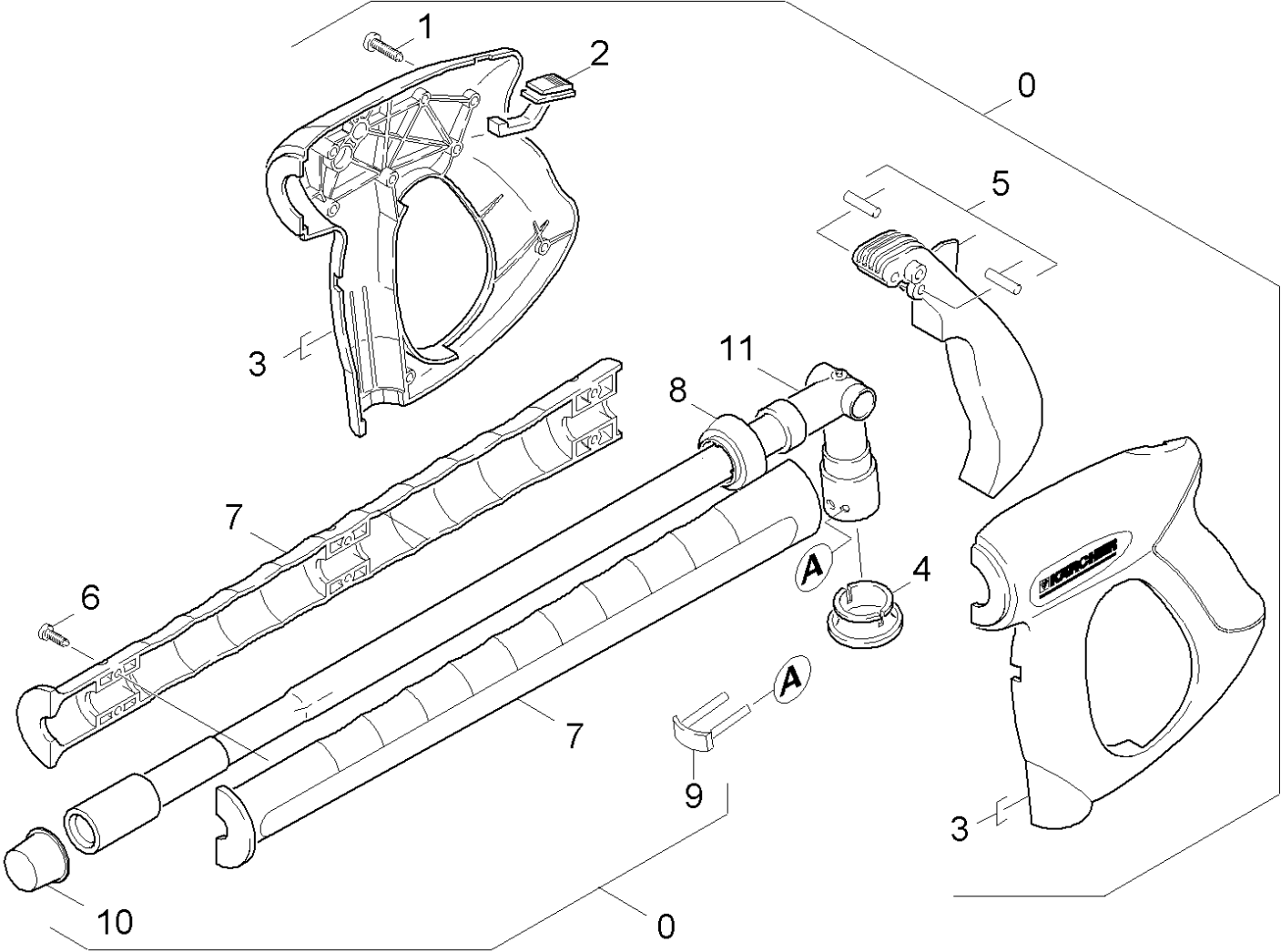
120 Accessories

POS	Description	Quantity	Unit	Remark
121	Hand trigger gun	1.000	ST	1.170-111.0 VERSION 1
122	Hand trigger gun	1.000	ST	1.170-111.0 VERSION 2
123	Jet pipe	1.000	ST	1.170-111.0



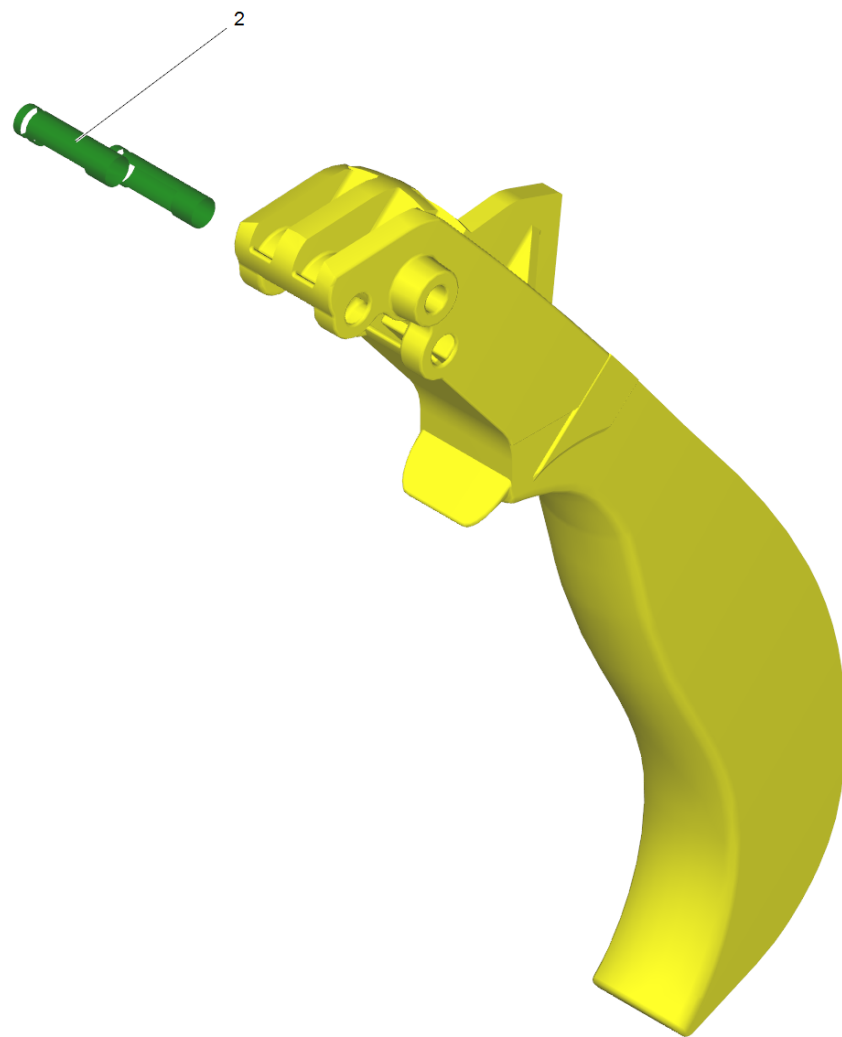
121 Hand trigger gun

POS	Article no.	Description	Quantity	Unit
10	5.107-259.0	Bar	1.000	ST
2	5.321-230.0	Handhold few	1.000	ST
15	5.322-083.0	Handhold few extended Low End	1.000	ST
6	5.332-157.0	Helical spring	1.000	ST
4	5.481-052.0	Lever	1.000	ST
3	4.481-050.0	Lever	1.000	ST
12	4.427-184.0	Manifold	1.000	ST
13	5.031-259.0	Moulded part	1.000	ST
8	6.362-584.0	O-Ring seal 12,42X 1,78	1.000	ST
11	6.362-571.0	O-Ring seal complete /1ST.-R	1.000	ST
14	6.303-025.0	Oval head screw 4,2x16-St-vz	7.000	ST
1	7.303-096.0	Screw 4x22 -ST-10.9-R2R (IN6RD)	1.000	ST
5	5.411-067.0	Screw plug	1.000	ST
0	7.777-999.0	Stockpiling discontinued	1.000	ST
9	7.307-417.0	Threaded pin M8x16 -45H-A2E ISO 4026	1.000	ST
7	5.582-117.0	Valve disc	1.000	ST



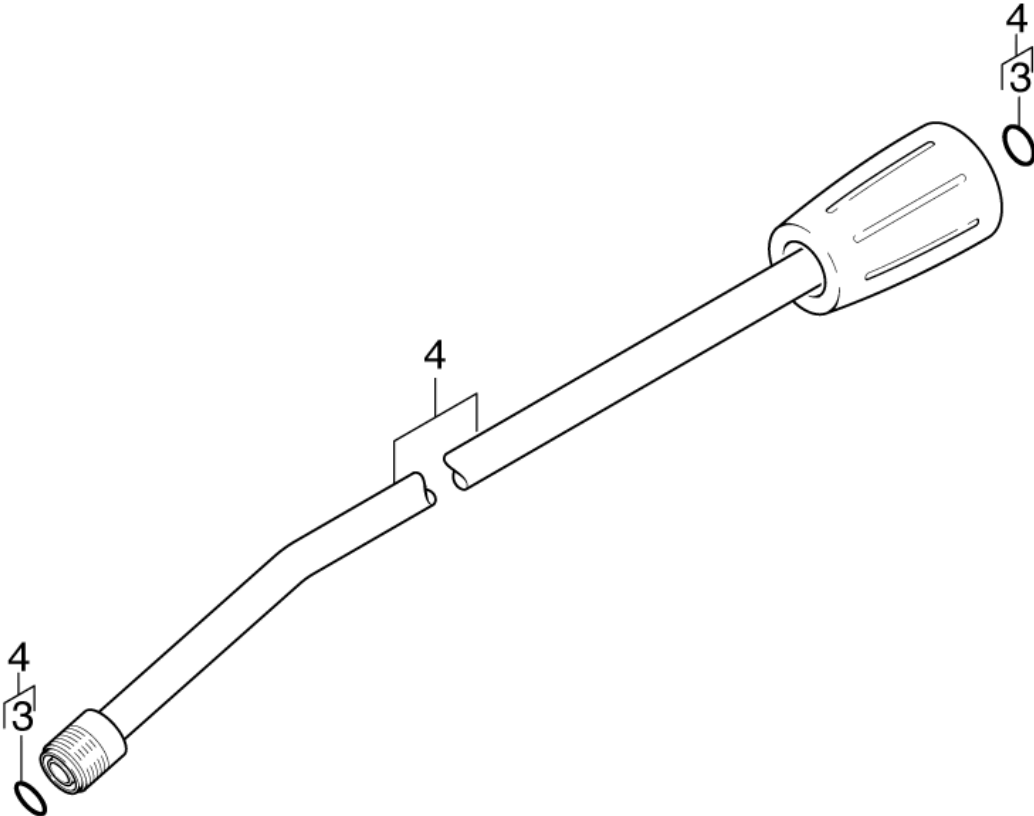
122 Hand trigger gun

POS	Article no.	Description	Quantity	Unit
7	5.322-083.0	Handhold few extended Low End	1.000	ST
3	5.322-082.0	Handhold few hand trigger gun Low End	1.000	ST
0	4.775-554.0	Hand trigger gun Low End Nippel 10	1.000	ST
9	4.037-013.0	Hook	1.000	ST
5	4.481-209.0	Lever complete	1.000	ST
11	4.427-004.0	Manifold complete for replacement LowEnd	1.000	ST
8	5.032-801.0	Moulded part	1.000	ST
10	6.368-012.0	Protecting cap 22X1,5	1.000	ST
6	7.303-129.0	Screw 4x16 -10.9-R2R (K-In6Rd)	6.000	ST
1	7.303-096.0	Screw 4x22 -ST-10.9-R2R (IN6RD)	7.000	ST
4	5.110-596.0	Sleeve	1.000	ST
2	5.481-331.0	Slider	1.000	ST



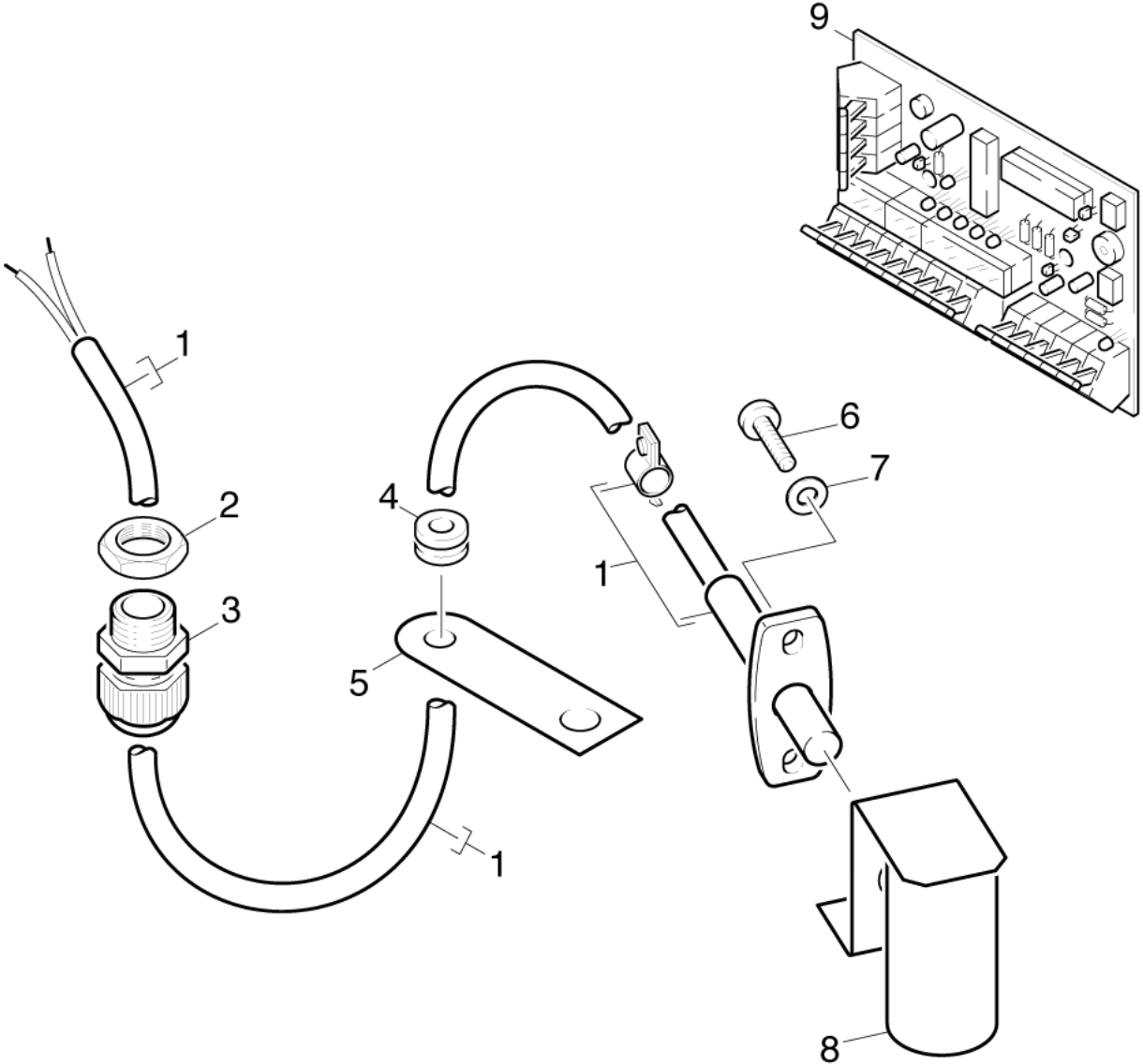
5 Lever complete (4.481-209.0)

POS	Article no.	Description	Quantity	Unit
2	5.314-119.0	Pin	2.000	ST



123 Jet pipe

POS	Article no.	Description	Quantity	Unit
4	4.760-665.0	Jet pipe packaged only for replacement	1.000	ST
3	2.880-990.0	Spare part set O-Ring 5x -Kaercher	1.000	ST



130 Flame guard

POS	Article no.	Description	Quantity	Unit
3	6.648-422.0	Blind plug grey M12X1,5	1.000	ST
2	6.648-391.0	Cable gland grey M12x1,5	1.000	ST
9	6.682-306.0	Circuit board burner	1.000	ST
	Item text1: / 1.170-114.0			
8	4.043-246.0	Holder	1.000	ST
5	5.042-833.0	Holder	1.000	ST
	Item text1: / 1.170-114.0			
1	6.664-030.0	Probe	1.000	ST
6	7.303-033.0	Screw M4x16-ST-P2R (KOMBI-IN6RD	2.000	ST
7	7.312-001.0	Washer 4 -200HV-A3E ISO 7089	2.000	ST
	Item text1: / 1.170-114.0			
4	6.641-638.0	Wire protecting sleeve	1.000	ST
	Item text1: / 1.170-114.0			