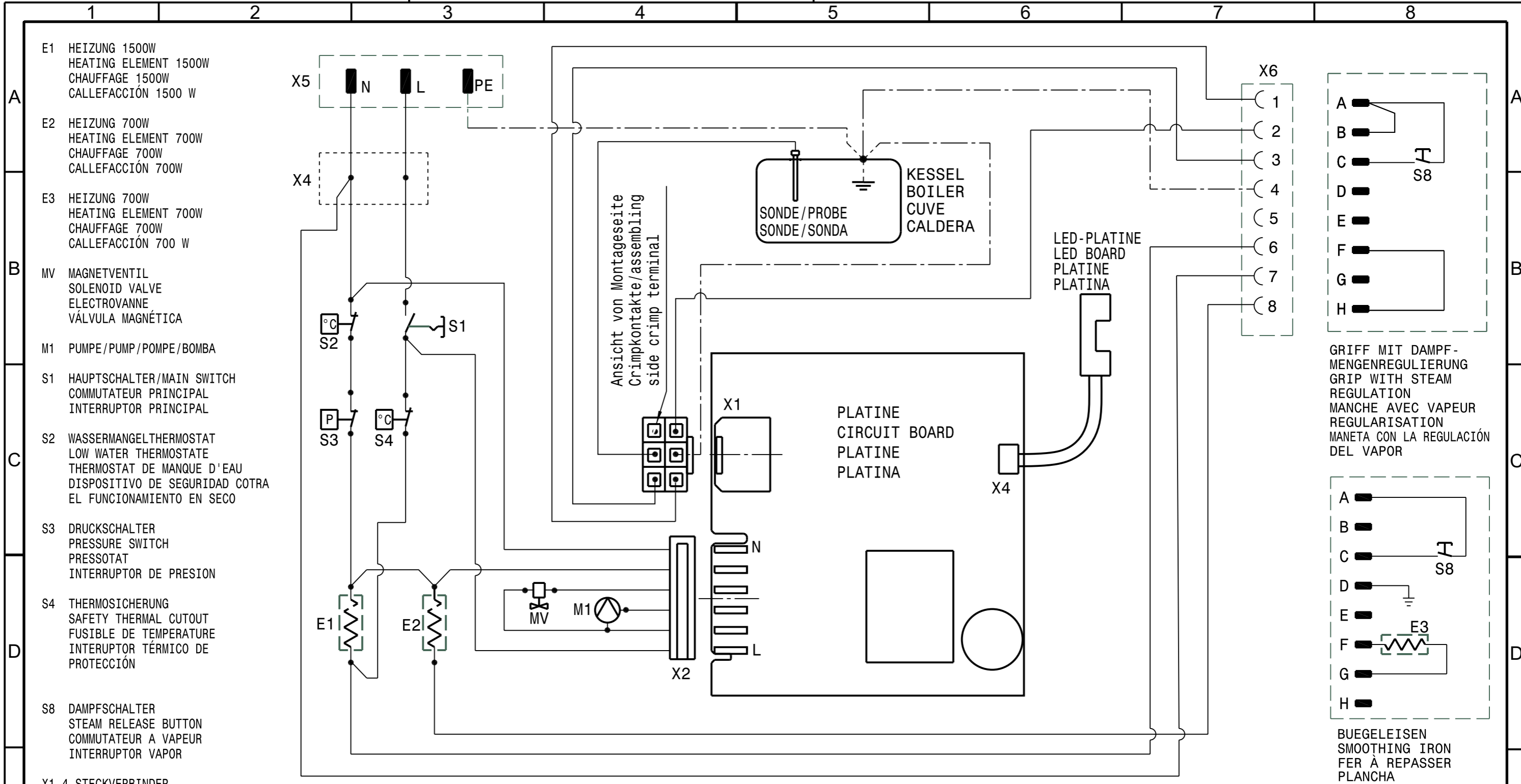
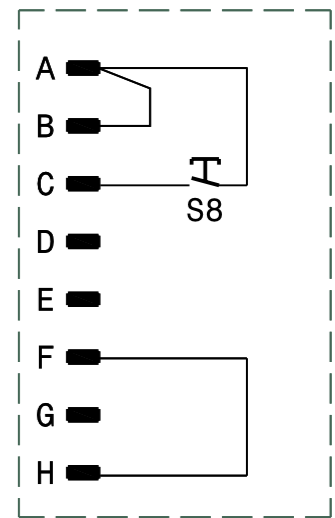
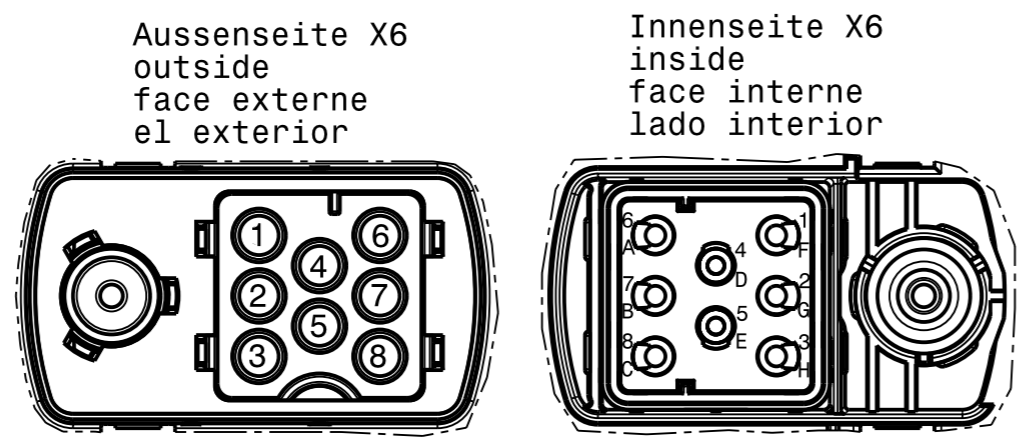


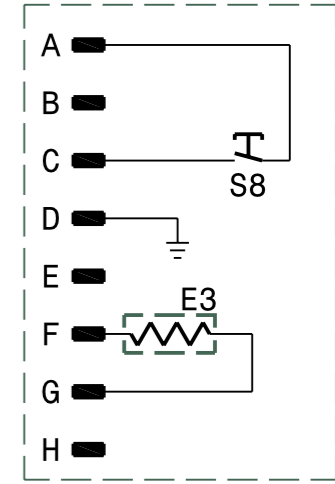
Compliance with the current version of Kärcher standard KN 050.032 Constituent substances (ban of lead, cadmium, etc.) must be guaranteed. Standard date format according to ISO 8601 (YYYY-MM-DD). The reproduction, distribution and utilization of this document as well as the communication of its contents to others without explicit authorization is prohibited. Offenders will be held liable for the payment of damages. All rights reserved in the event of the grant of a patent, utility model or design. Copyright © Alfred Kärcher GmbH & Co. KG



- E1 HEIZUNG 1500W
HEATING ELEMENT 1500W
CHAUFFAGE 1500W
CALLEFACCIÓN 1500 W
- E2 HEIZUNG 700W
HEATING ELEMENT 700W
CHAUFFAGE 700W
CALLEFACCIÓN 700W
- E3 HEIZUNG 700W
HEATING ELEMENT 700W
CHAUFFAGE 700W
CALLEFACCIÓN 700 W
- MV MAGNETVENTIL
SOLENOID VALVE
ELECTROVANNE
VÁLVULA MAGNÉTICA
- M1 PUMPE/PUMP/POMPE/BOMBA
- S1 HAUPTSCHALTER/MAIN SWITCH
COMMUTATEUR PRINCIPAL
INTERRUPTOR PRINCIPAL
- S2 WASSERMANGELTHERMOSTAT
LOW WATER THERMOSTATE
THERMOSTAT DE MANQUE D'EAU
DISPOSITIVO DE SEGURIDAD COTRA
EL FUNCIONAMIENTO EN SECO
- S3 DRUCKSCHALTER
PRESSURE SWITCH
PRESSOTAT
INTERRUPTOR DE PRESION
- S4 THERMOSICHERUNG
SAFETY THERMAL CUTOUT
FUSIBLE DE TEMPERATURE
INTERRUPTOR TÉRMICO DE
PROTECCIÓN
- S8 DAMPFSCHALTER
STEAM RELEASE BUTTON
COMMUTATEUR A VAPEUR
INTERRUPTOR VAPOR
- X1-4 STECKVERBINDER
PLUG-IN CONNECTION
CONNECTEUR A FICHES
CONEXION
- X5 STECKER/PLUG
PRISE MÂLE
MACHO DE ENCHUFE
- X6 STECKDOSE ZUBEHOER
FEMALE PLUG ACCESSORIES
PRISE FEMELLE ACCESSOIRES
ENCHUFE ACCESORIOS



GRIF MIT DAMPF-
MENGENREGULIERUNG
GRIP WITH STEAM
REGULATION
MANCHE AVEC VAPEUR
REGULARISATION
MANETA CON LA REGULACIÓN
DEL VAPOR



BUEGELEISEN
SMOOTHING IRON
FER À REPASSER
PLANCHA

Werkstoff material / substance		Allgemeintoleranzen general tolerances		Projection E 		Oberfläche / surface EN ISO 1302		Erstmusterprüfung first sample examination <input type="checkbox"/> Bescheinigung EN 10204 certification EN 10204 <input type="checkbox"/>	
Halbzeug semi finished product		Tolerierung / toleration		dimensions in mm		Material-Nr. / material no. 0.089-753.0		KÄRCHER®	
Werkstoffbez. / mat. designation		document		Benennung / description		number		type	
Schweißtechn. / welding techn.		SLP SC 5		SLP SC 5 Wiring diagram SC 5		5460759		SLP 00	
Datum date		Gezeichnet drawn by		Gepreüft checked by		Normgeprüft std. checked by		Änderung / Engineering change	
2015-05-18		AW02215		AW03145		AW03274		index Anzahl / count	
								Ersatz für / replaces	
								Datum / date	
								index	