

Spare parts list

(5.972-077.0) Spare parts list K2 Basic *EU (CORE)

Table of contents

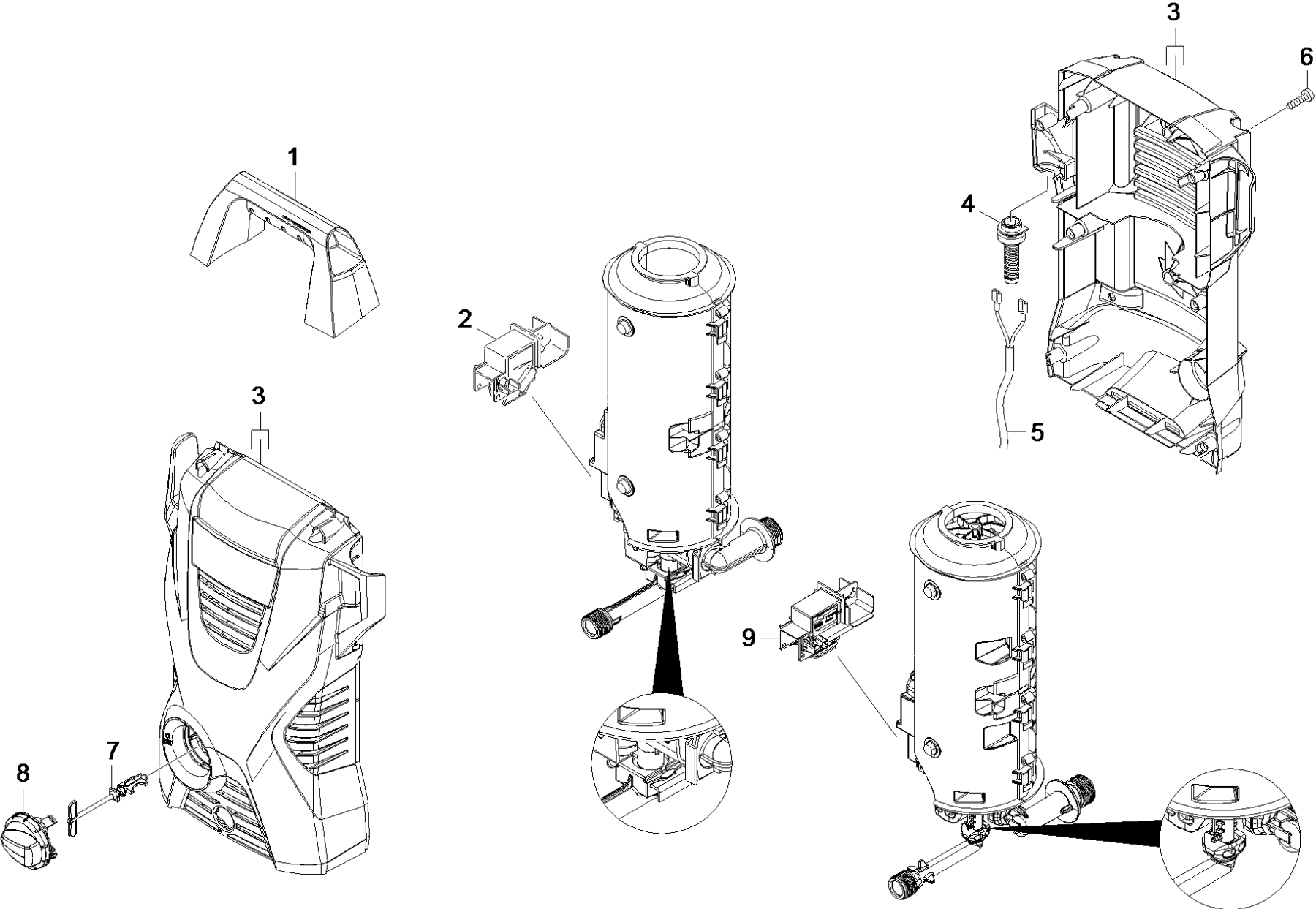
Spare parts list K2 Basic *EU (CORE) (5.972-077.0)	4
10 Housing	5
5 Spare parts set strain relief with cable (2.885-475.0)	7
5 Spare parts set strain relief with cable (2.885-486.0)	9
20 Pump set	11
21 Pump set	13
22 Cylinder head	14
23 Thrust guidance	16
24 Pump set R V	18
3 Spare parts set nipple chemistry RV (2.885-396.0)	20
4 Spare parts set control piston with nipp (2.885-397.0)	21
2 Spare parts set nipple chemistry RV (2.885-396.0)	23
5 Cylinder head for replacement (981) RV (4.551-144.0)	24
1 Cylinder head complete RV K2.0X	25
Cylinder head only for replacement (4.551-159.3)	27
40 Cylinder head RV K2.0X	29
45 Spare parts set control piston with nipp (2.885-397.0)	31
2 Spare parts set nipple chemistry RV (2.885-396.0)	33
43 Thrust guidance complete quadruple	34
7 Suction cover for replacement with SV5 ((4.063-913.0)	36
12 High-pressure outlet for replacement wit (4.063-914.0)	38
30 Motor	40
31 Motor	42
32 Motor	44
40 Accessories	46
41 Hand trigger gun	47
42 Hand trigger gun	49
1 G 120 Q (4.775-830.0)	51
3 High pressure hose 12MPa/10 40°C NQC B (6.396-228.0)	53
3 High pressure hose 12MPa/4 40°C NQCS B (6.396-525.0)	55
43 Vario-Power Jet pipe K2	57
2 VPS K2 0287 (4.760-723.0)	59
44 Vario-Power Jet pipe K2	61
2 VPS K2 025 (4.760-535.0)	63
45 Dirt blaster	65
2 Dirt blaster K2 027 St (4.764-243.0)	67
46 Washing brush	69
47 Foam lance	71

Table of contents

48 Surface cleaner T 50	73
3 Single-step jet pipe extension (2.643-240.0)	75
8 Spare parts nozzles T-Racer (2.643-338.0)	77
49 Surface cleaner	80
1 Spare parts nozzles T-Racer (2.643-338.0)	82
6 Single-step jet pipe extension (2.643-240.0)	85

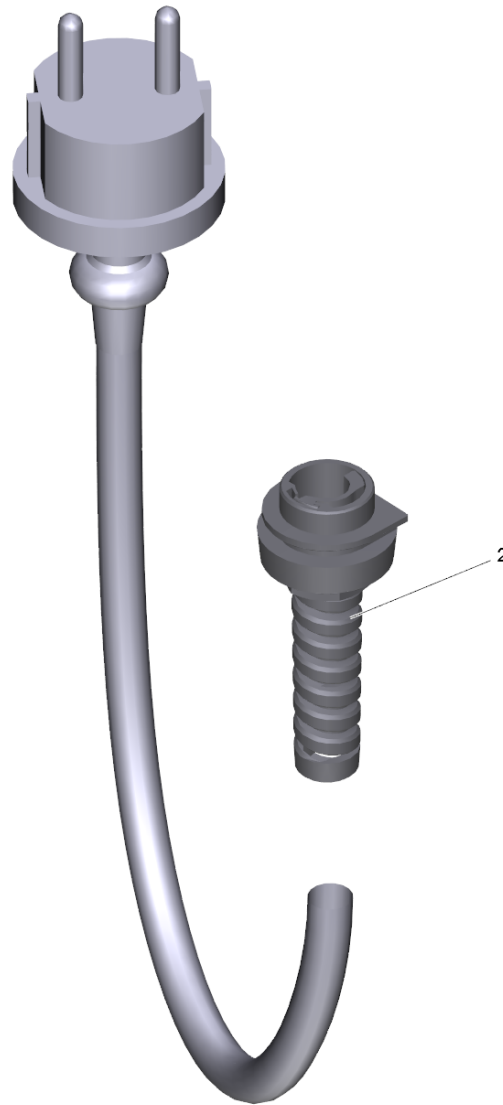
Spare parts list K2 Basic *EU (CORE) (5.972-077.0)

POS	Description	Quantity	Unit
40	Accessories	1.000	ST
10	Housing	1.000	ST
30	Motor	1.000	ST
20	Pump set	1.000	ST



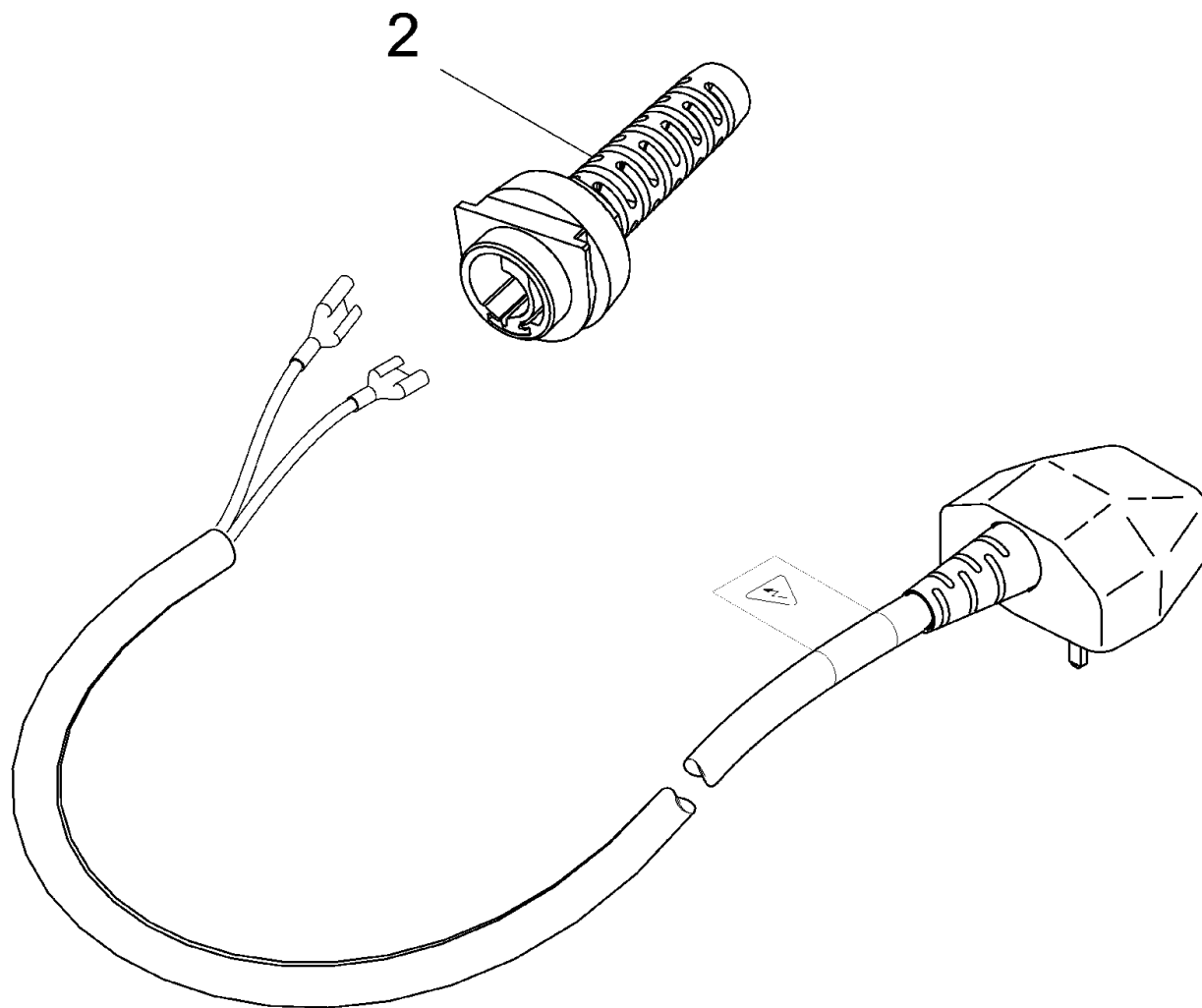
10 Housing

POS	Article no.	Description	Quantity	Unit
7	5.105-659.0	Axle UZS 75.5mm	1.000	ST
1	5.322-038.0	Handhold small K2 Modul-Range	1.000	ST
8	5.322-039.0	Handhold switch Modul Range	1.000	ST
3	5.067-550.0	Housing pair replacement KÄRCHER	1.000	ST
6	7.303-096.0	Screw 4x22 -ST-10.9-R2R (IN6RD)	7.000	ST
5	2.885-487.0	Spare parts set strain relief with cable	1.000	ST
	Item text1: 1.673-152.0			
5	2.885-486.0	Spare parts set strain relief with cable	1.000	ST
	Item text1: 1.673-151.0			
5	2.885-475.0	Spare parts set strain relief with cable	1.000	ST
	Item text1: 1.673-150.0 /-153.0 /-155.0			
4	9.760-372.0	strain relief	1.000	ST
2	6.630-357.0	Switch complete UL/CSA+Ers. (ohne Fluege	1.000	ST
9	6.630-768.0	Switch replacement + UL/CSA RV	1.000	ST



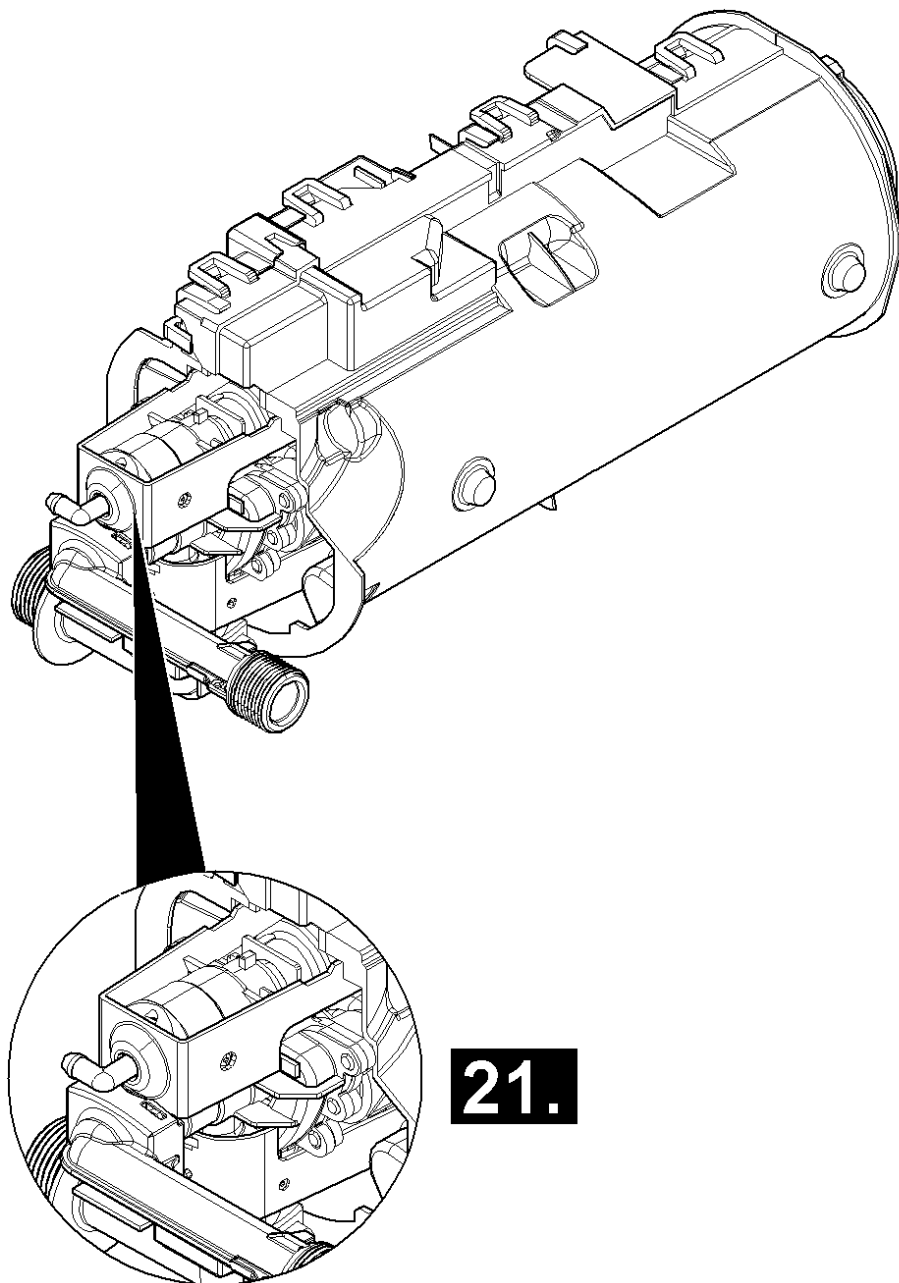
5 Spare parts set strain relief with cable (2.885-475.0)

POS	Article no.	Description	Quantity	Unit
2	9.760-372.0	strain relief	1.000	ST

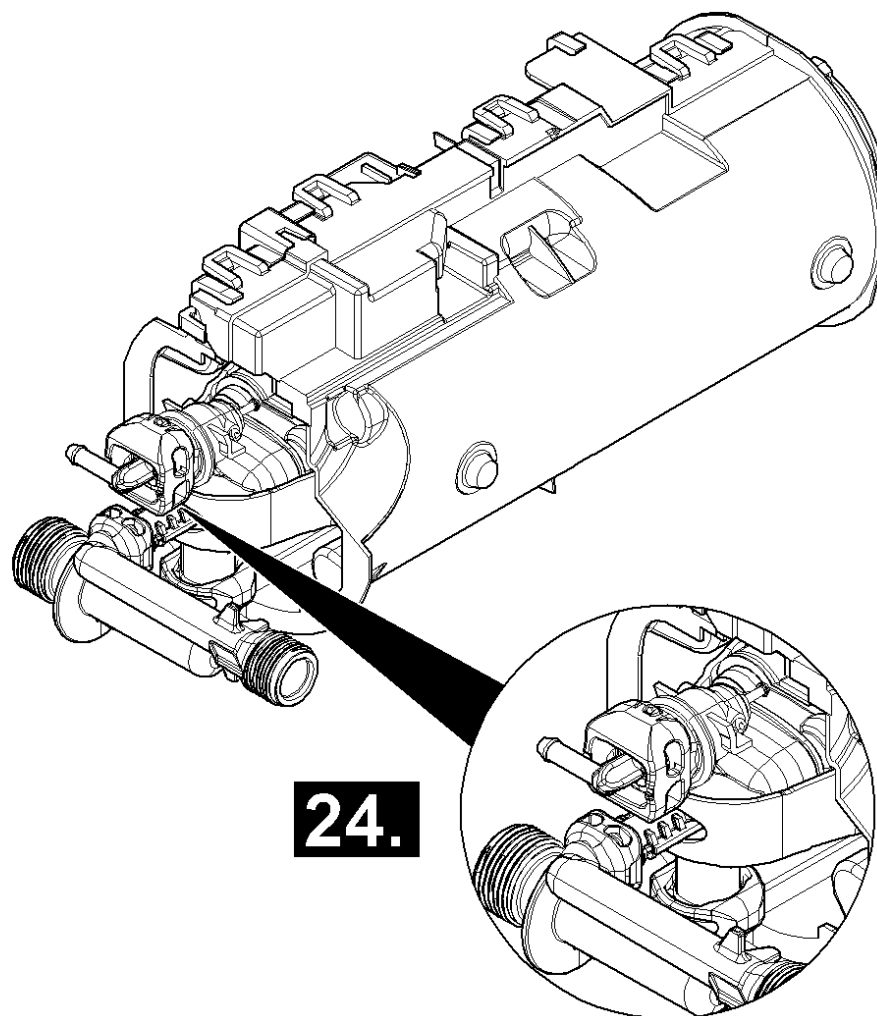


5 Spare parts set strain relief with cable (2.885-486.0)

POS	Article no.	Description	Quantity	Unit
2	9.760-372.0	strain relief	1.000	ST



21.



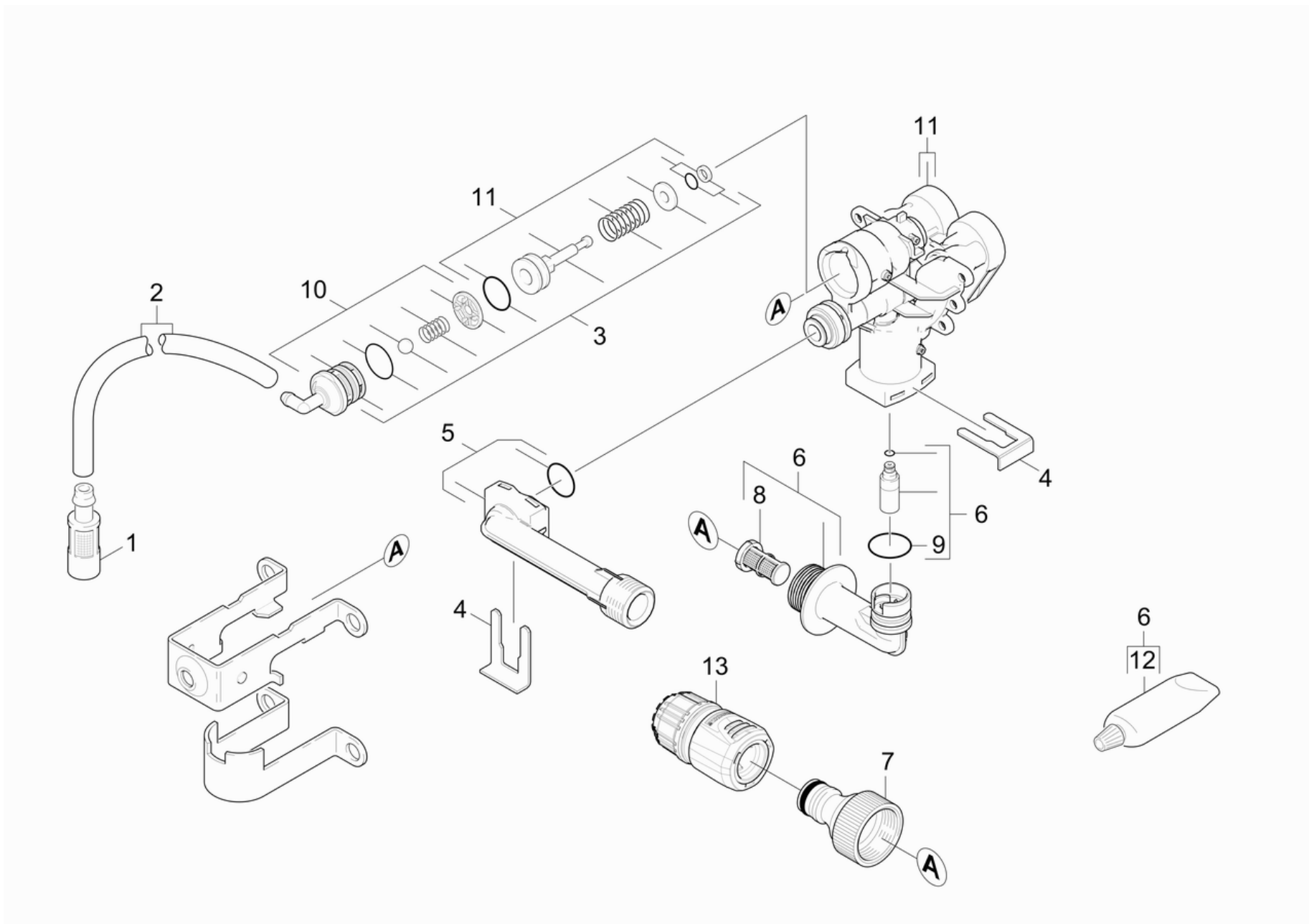
24.

20 Pump set

POS	Description	Quantity	Unit	Foot note text
21	Pump set	1.000	ST	VERSION 1
24	Pump set R V	1.000	ST	VERSION 2

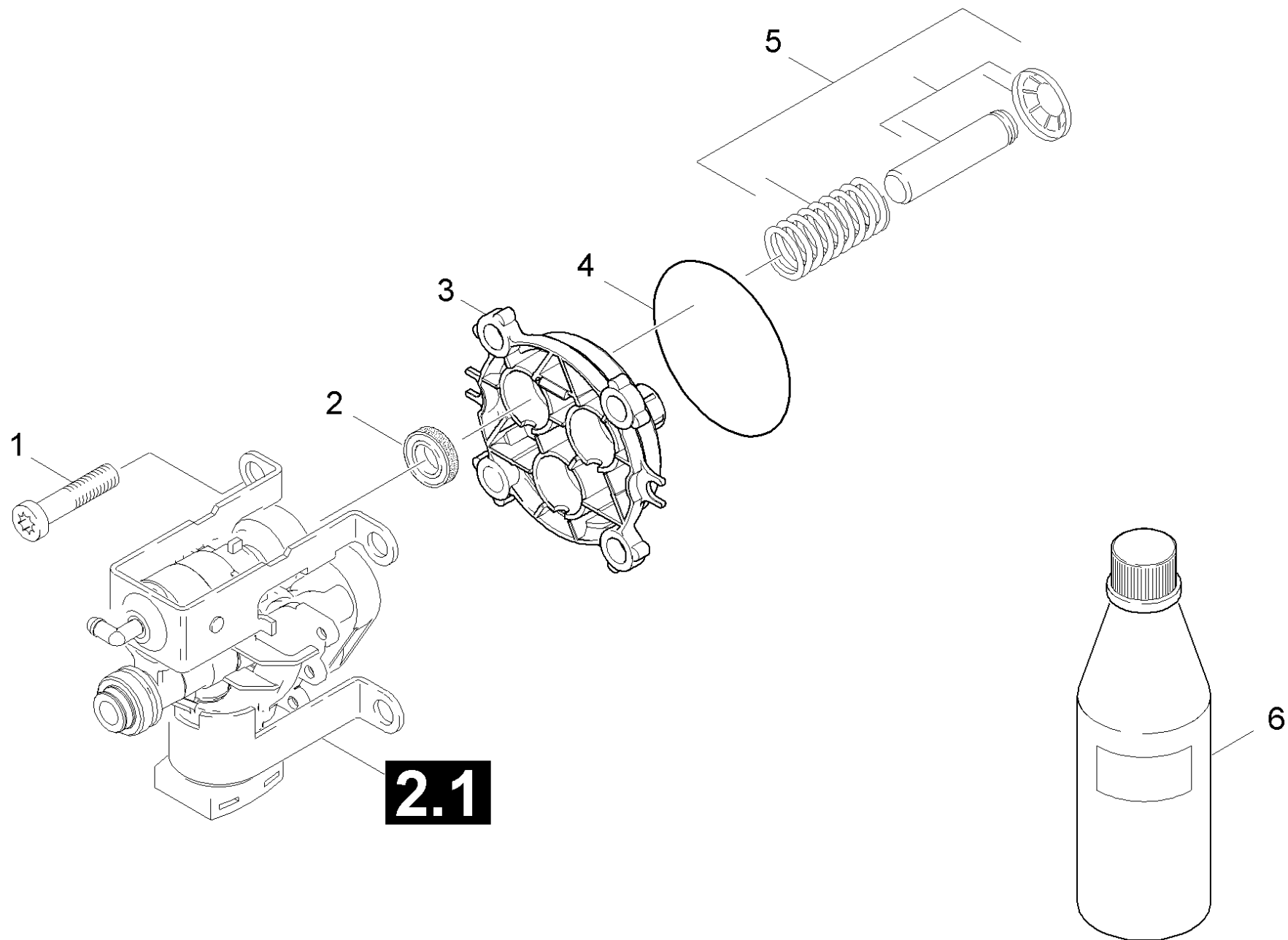
21 Pump set

POS	Description	Quantity	Unit
22	Cylinder head	1.000	ST
23	Thrust guidance	1.000	ST



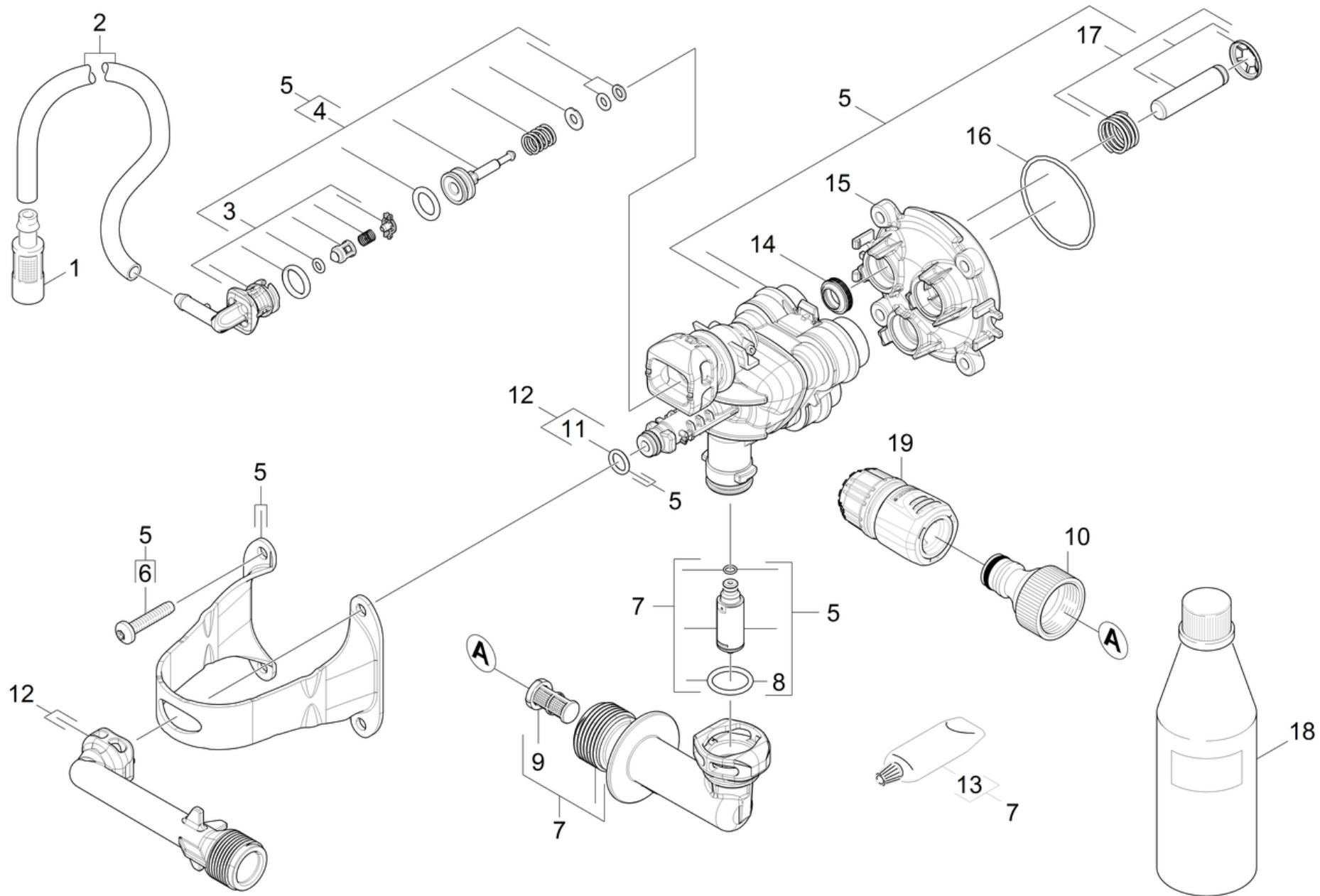
22 Cylinder head

POS	Article no.	Description	Quantity	Unit	Foot note text
4	5.048-406.0	Clamp	2.000	ST	
7	6.465-031.0	Connection 3/4	1.000	ST	
11	4.551-056.0	Cylinder head for replacement (684)	1.000	ST	
1	5.731-652.0	Filter with weight	1.000	ST	
8	5.731-004.0	Fine filter short (2015)	1.000	ST	
13	4.645-332.0	HOSE CONNECTOR 1/2" / 5/8" OPP	1.000	ST	
Item text1: 1.673-138.0					
2	6.388-216.0	Hose DN 5	1.000	M	TO ORDER AS CUT GOODS
9	6.506-016.0	O-Ring seal 15,54x2,62-NBR 70	1.000	ST	
5	4.063-783.0	Outlet high-pressure with O-Ring seal	1.000	ST	
12	6.288-072.0	Silicon grease	1.000	ST	
3	2.885-285.0	Spare parts set control piston with nipp	1.000	ST	
10	2.885-325.0	Spare parts set nipple chemistry (-90°)	1.000	ST	
6	4.063-855.0	Suction cover and safety valve (K2.14/15)	1.000	ST	



23 Thrust guidance

POS	Article no.	Description	Quantity	Unit
6	6.288-112.0	Engine oil 1L	1.000	ST
4	6.362-902.0	O-Ring 60x2,5 NBR 70	1.000	ST
2	6.365-393.0	Oil sealing 12x20x4/6	3.000	ST
1	6.303-497.0	Screw M8x35-8.8-A2E (IN6RD)	4.000	ST
5	2.884-859.0	Spare part set piston GSF	3.000	ST
3	5.060-853.0	Thrust guidance PA6.6	1.000	ST

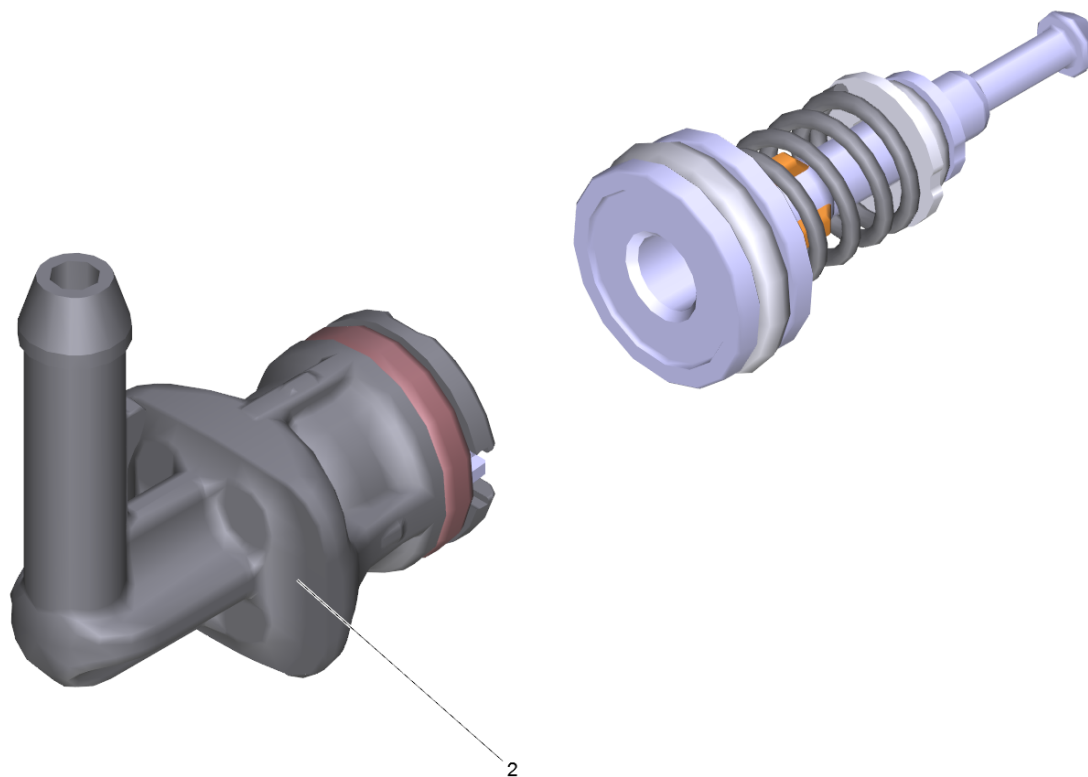


24 Pump set R V

POS	Article no.	Description	Quantity	Unit	Remark	Foot note text
10	6.465-031.0	Connection 3/4	1.000	ST		
5	4.551-144.0	Cylinder head for replacement (981) RV	1.000	ST		
18	6.288-112.0	Engine oil 1L	1.000	ST		
1	5.731-652.0	Filter with weight	1.000	ST		
9	5.731-004.0	Fine filter short (2015)	1.000	ST		
14	6.365-581.0	Grooved ring 12x18x4/6 NBR 75 Shore A	3.000	ST		
12	4.063-914.0	High-pressure outlet for replacement wit	1.000	ST		
19	4.645-332.0	HOSE CONNECTOR 1/2" / 5/8" OPP	1.000	ST		
	Item text1: 1.673-138.0					
2	6.388-216.0	Hose DN 5	1.000	M		TO ORDER AS CUT GOODS
11	6.362-113.0	O-Ring seal 6,0 x 2,0 NBR 70	1.000	ST		
8	6.362-427.0	O-Ring seal 15,0x2,0	1.000	ST		
16	6.362-826.0	O-Ring seal 61,6x2,62	1.000	ST		
6	6.303-565.0	Screw M 5x25-10.9-A2E (IN6RD)	4.000	ST	7 +/-1 Nm	
13	6.288-072.0	Silicon grease	1.000	ST		
4	2.885-397.0	Spare parts set control piston with nipp	1.000	ST		
3	2.885-396.0	Spare parts set nipple chemistry RV	1.000	ST		
17	2.885-398.0	Spare parts set piston with spring RV	3.000	ST		
7	4.063-913.0	Suction cover for replacement with SV5 (1.000	ST		
15	5.062-412.0	Thrust guidance V2 R V	1.000	ST		

3 Spare parts set nipple chemistry RV (2.885-396.0)

POS	Article no.	Description	Quantity	Unit
2	6.288-088.0	Grease Molikote 55 M	1.000	ST



4 Spare parts set control piston with nipp (2.885-397.0)

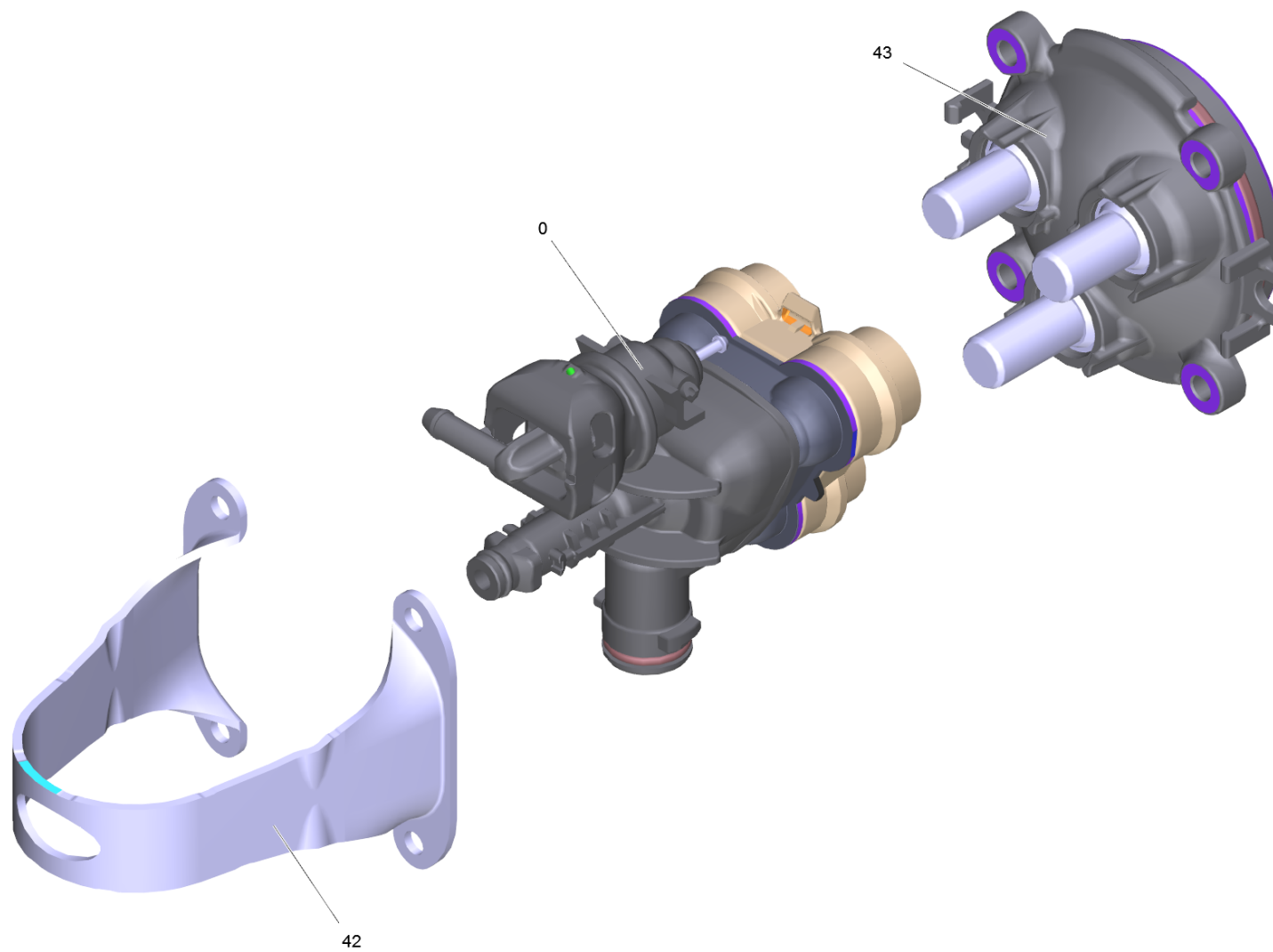
POS	Article no.	Description	Quantity	Unit
2	2.885-396.0	Spare parts set nipple chemistry RV	1.000	ST

2 Spare parts set nipple chemistry RV (2.885-396.0)

POS	Article no.	Description	Quantity	Unit
2	6.288-088.0	Grease Molikote 55 M	1.000	ST

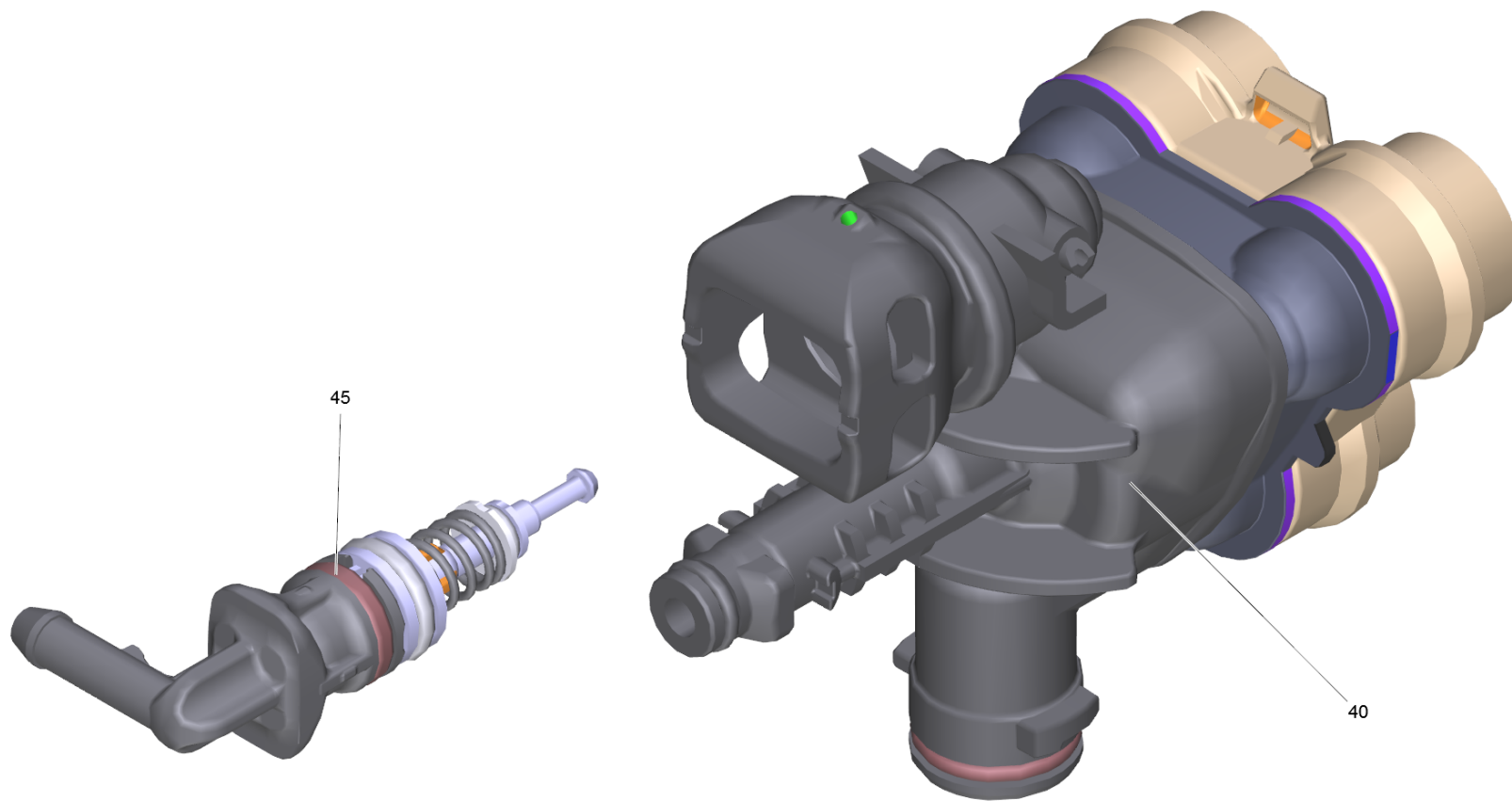
5 Cylinder head for replacement (981) RV (4.551-144.0)

POS	Description	Quantity	Unit
1	Cylinder head complete RV K2.0X	1.000	ST



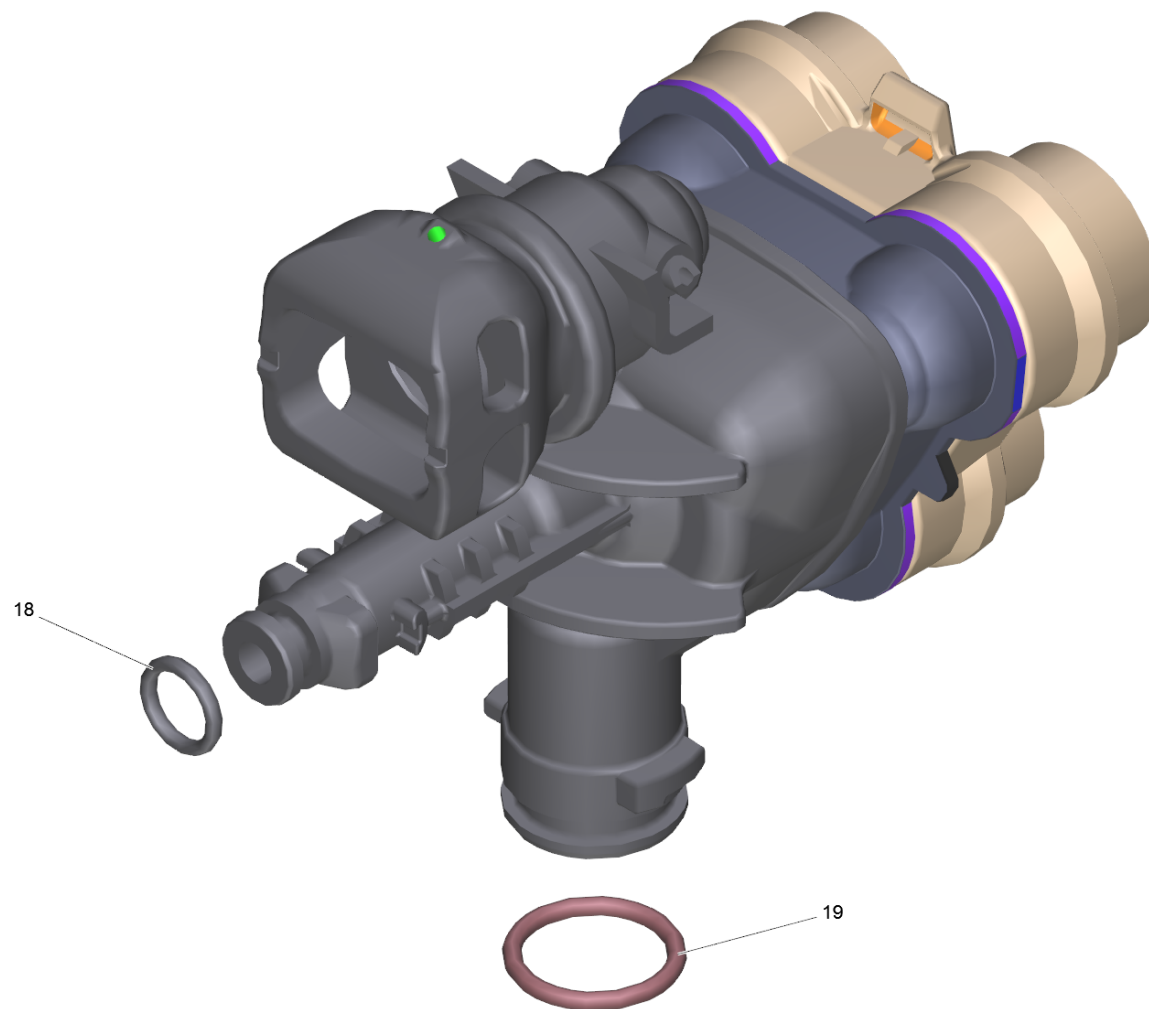
1 Cylinder head complete RV K2.0X

POS	Article no.	Description	Quantity	Unit
0	4.551-159.3	Cylinder head only for replacement	1.000	ST
42	5.051-384.0	Sheet metal component 4-fach	1.000	ST
43		Thrust guidance complete quadruple	1.000	ST



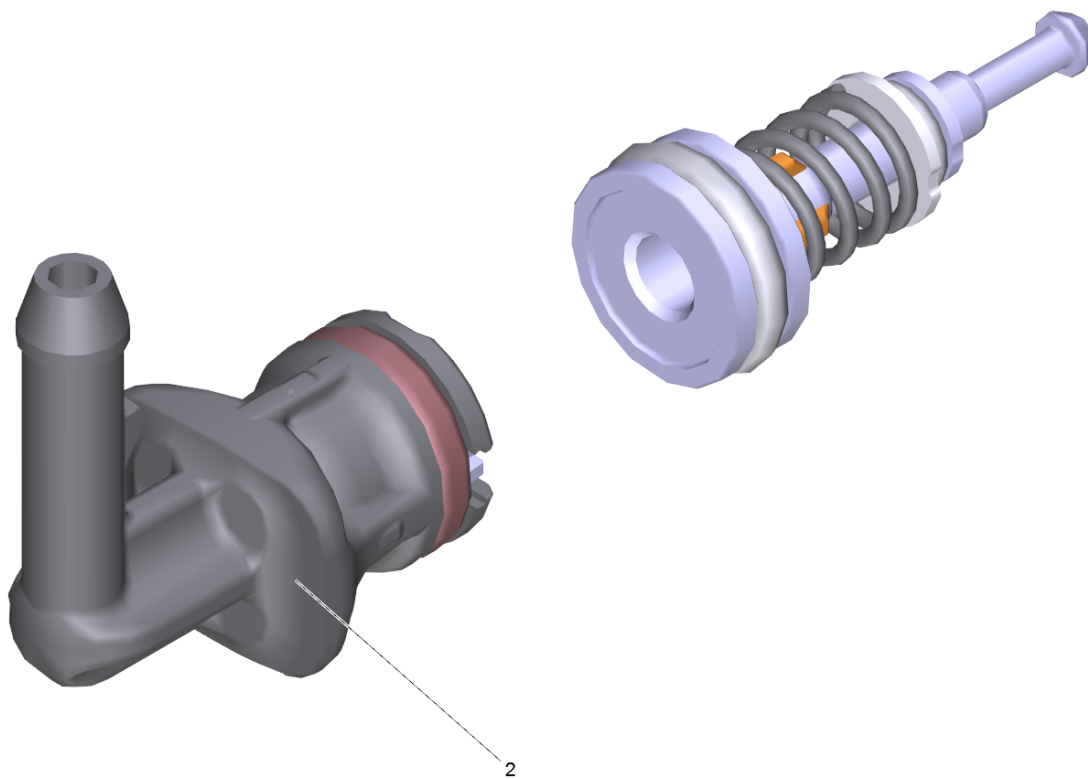
Cylinder head only for replacement (4.551-159.3)

POS	Article no.	Description	Quantity	Unit
40		Cylinder head RV K2.0X	1.000	ST
45	2.885-397.0	Spare parts set control piston with nipp	1.000	ST



40 Cylinder head RV K2.0X

POS	Article no.	Description	Quantity	Unit
18	6.362-113.0	O-Ring seal 6,0 x 2,0 NBR 70	1.000	ST
19	6.362-427.0	O-Ring seal 15,0x2,0	1.000	ST

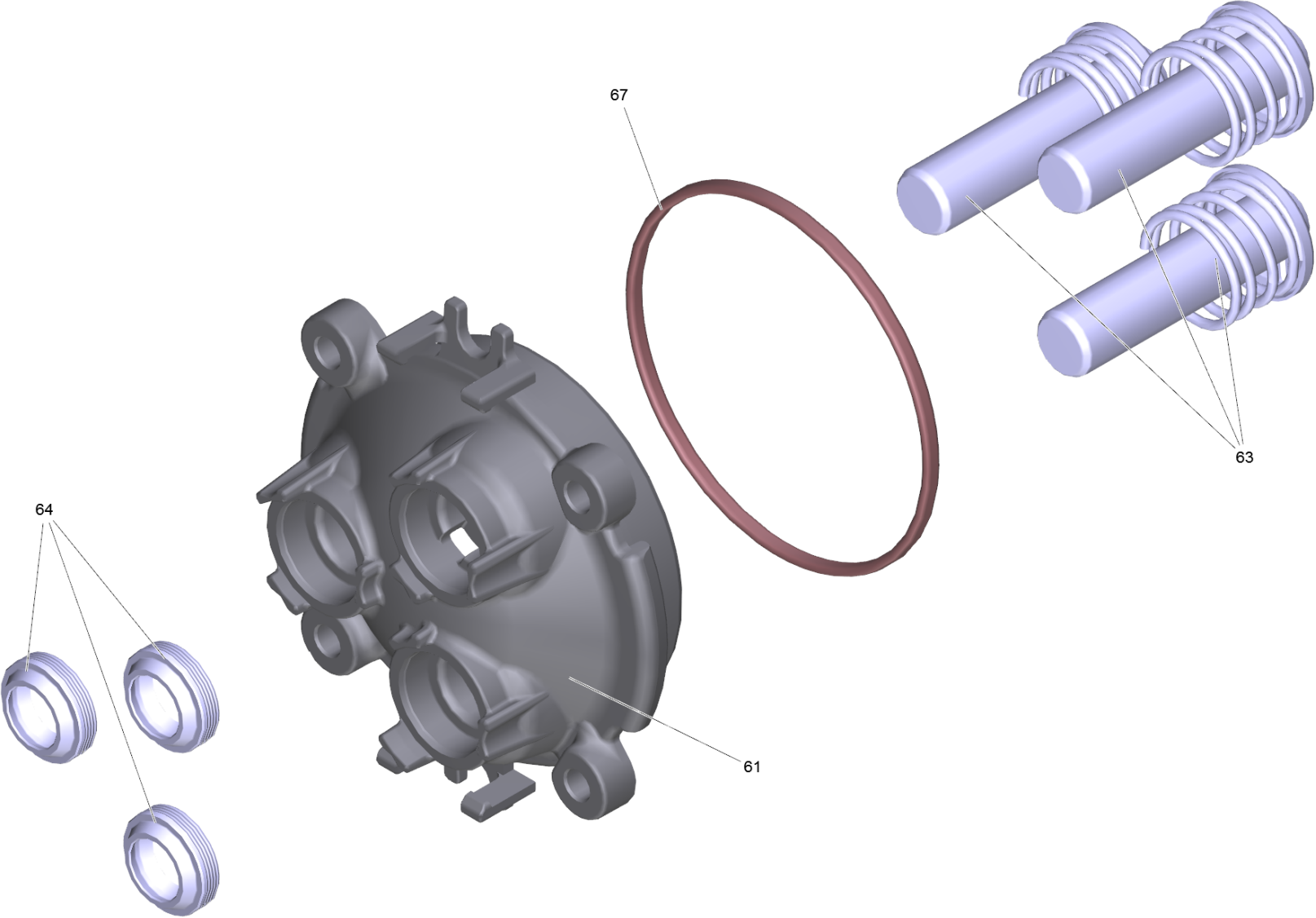


45 Spare parts set control piston with nipp (2.885-397.0)

POS	Article no.	Description	Quantity	Unit
2	2.885-396.0	Spare parts set nipple chemistry RV	1.000	ST

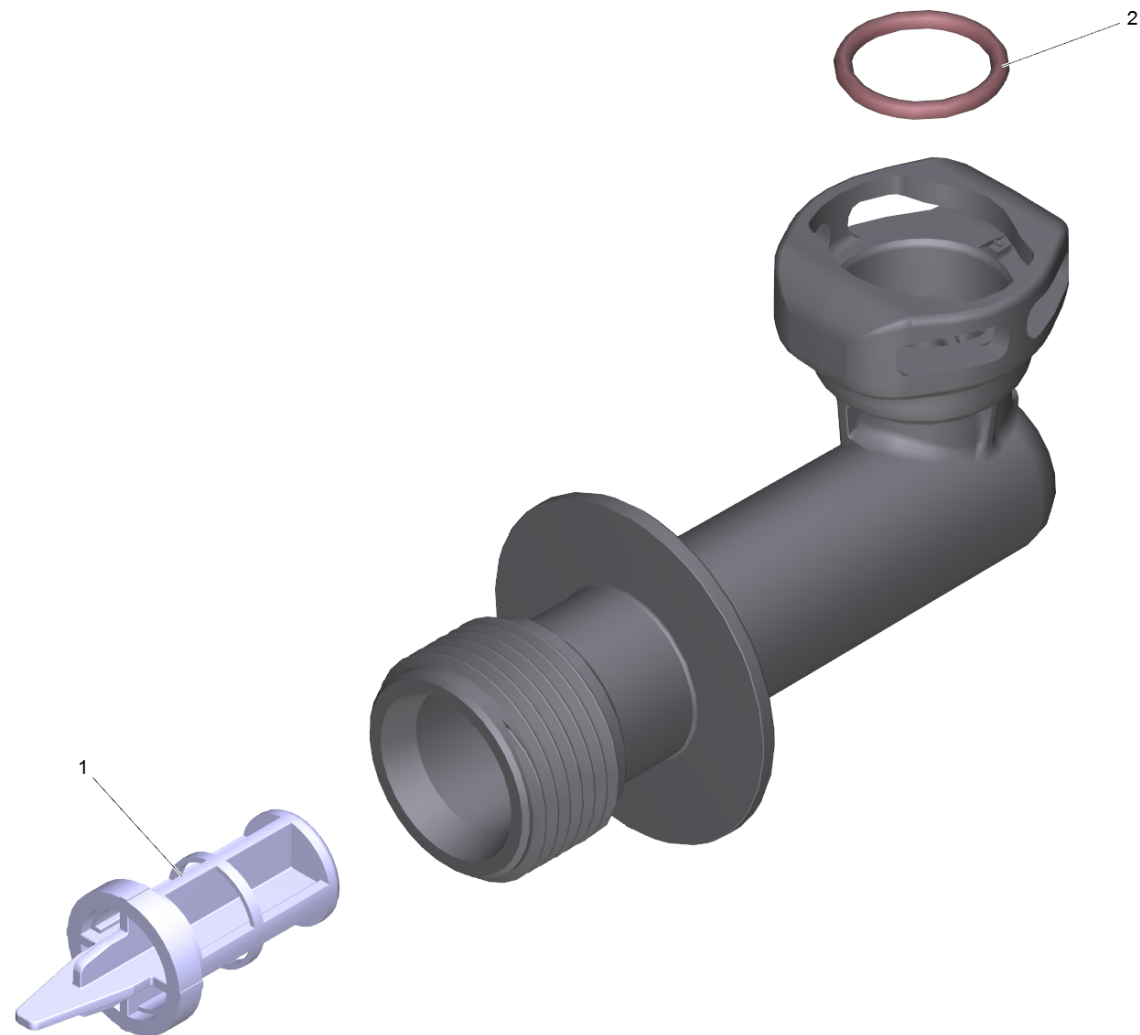
2 Spare parts set nipple chemistry RV (2.885-396.0)

POS	Article no.	Description	Quantity	Unit
2	6.288-088.0	Grease Molikote 55 M	1.000	ST



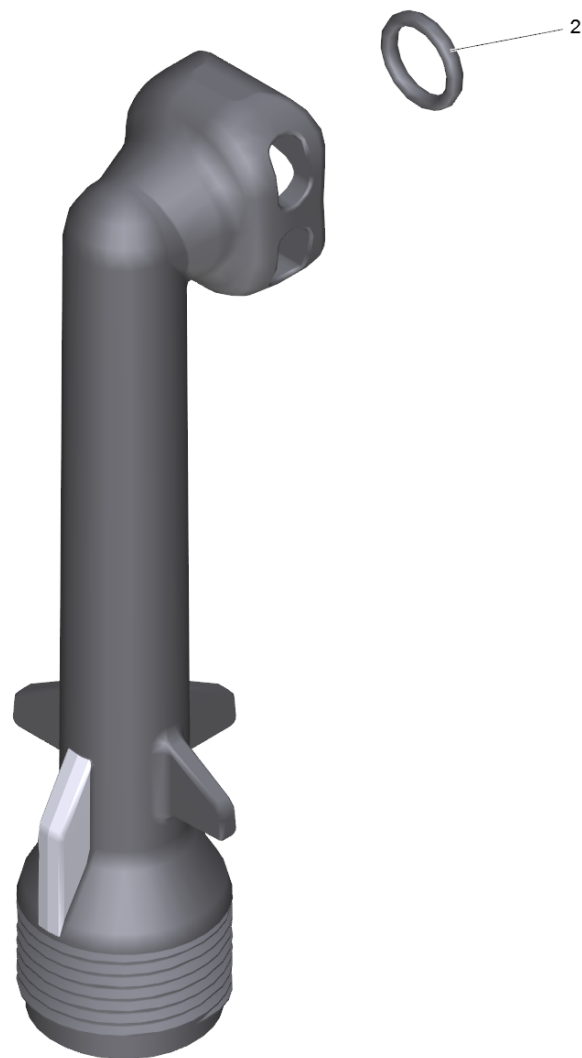
43 Thrust guidance complete quadruple

POS	Article no.	Description	Quantity	Unit
64	6.365-581.0	Grooved ring 12x18x4/6 NBR 75 Shore A	3.000	ST
67	6.362-826.0	O-Ring seal 61,6x2,62	1.000	ST
63	2.885-398.0	Spare parts set piston with spring RV	1.000	ST
61	5.062-412.0	Thrust guidance V2 R V	1.000	ST



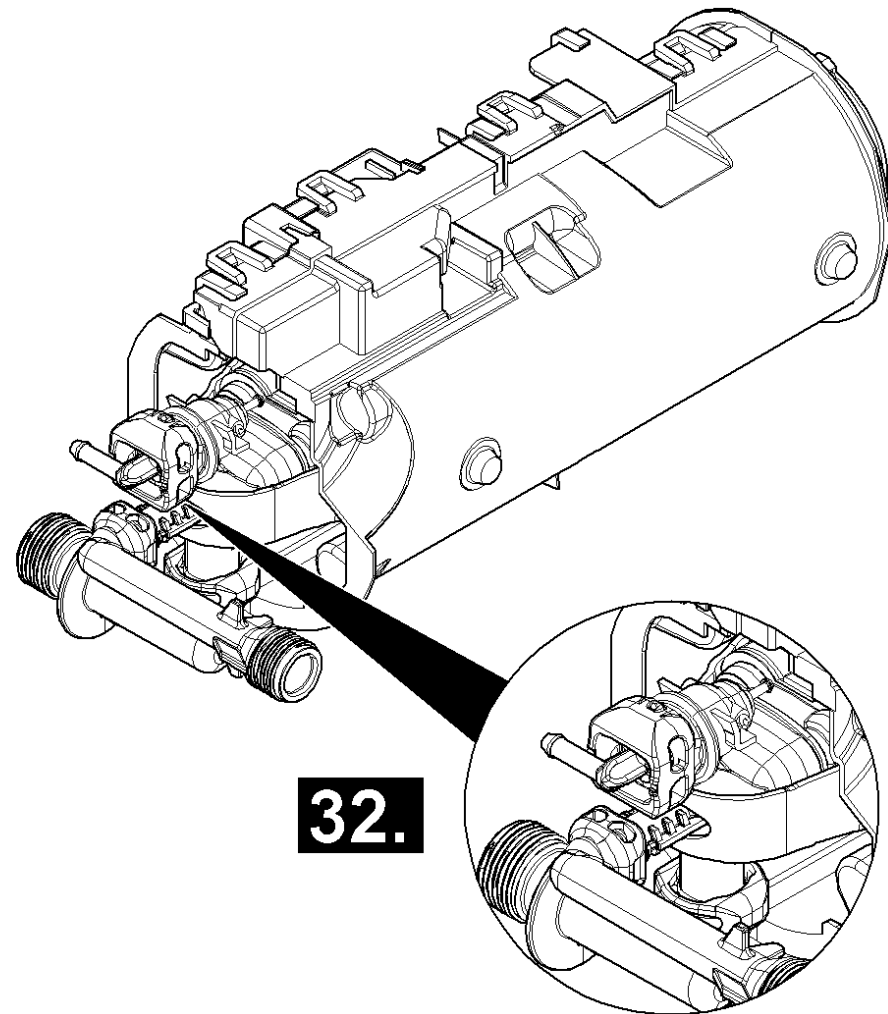
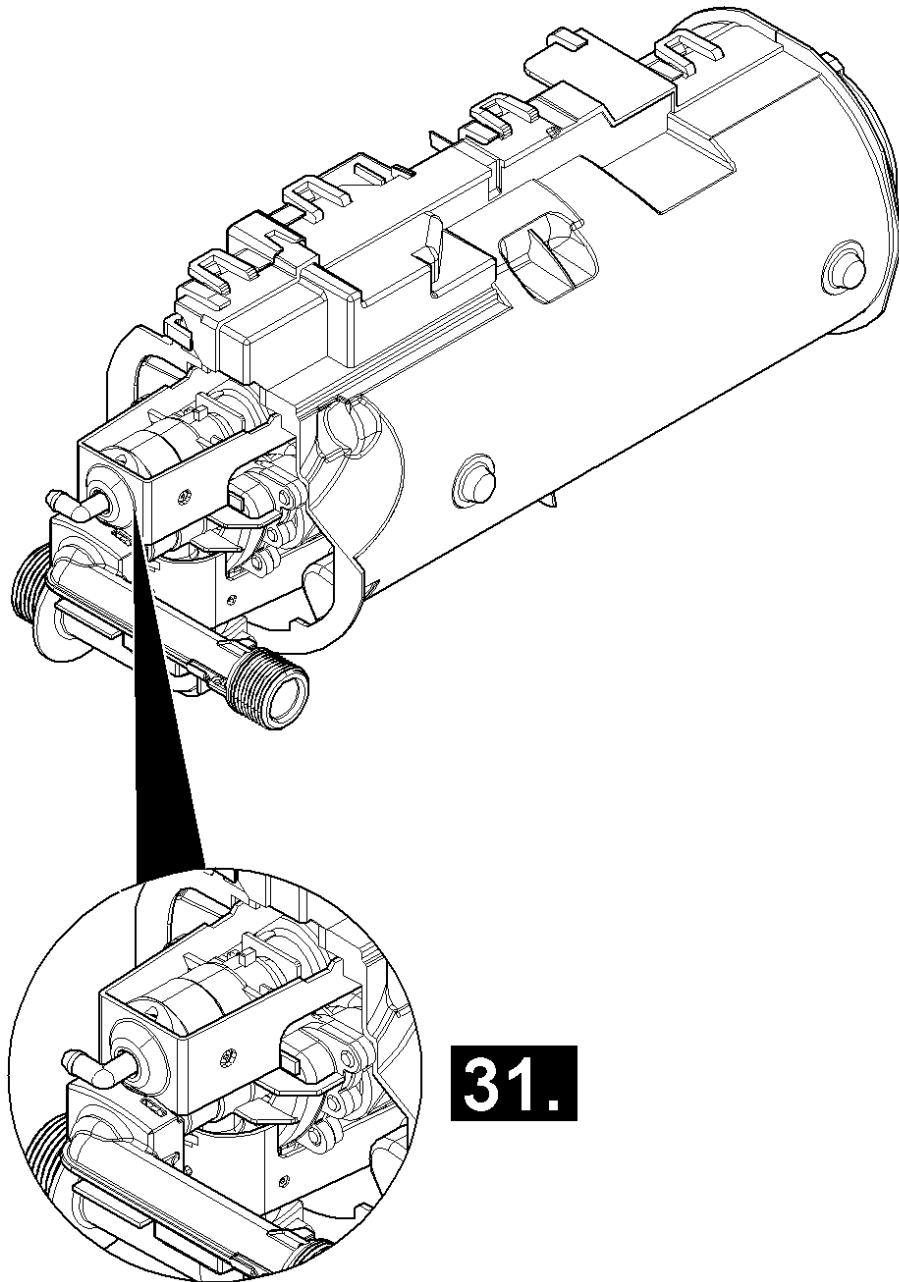
7 Suction cover for replacement with SV5 (4.063-913.0)

POS	Article no.	Description	Quantity	Unit
1	5.731-004.0	Fine filter short (2015)	1.000	ST
2	6.362-427.0	O-Ring seal 15,0x2,0	1.000	ST



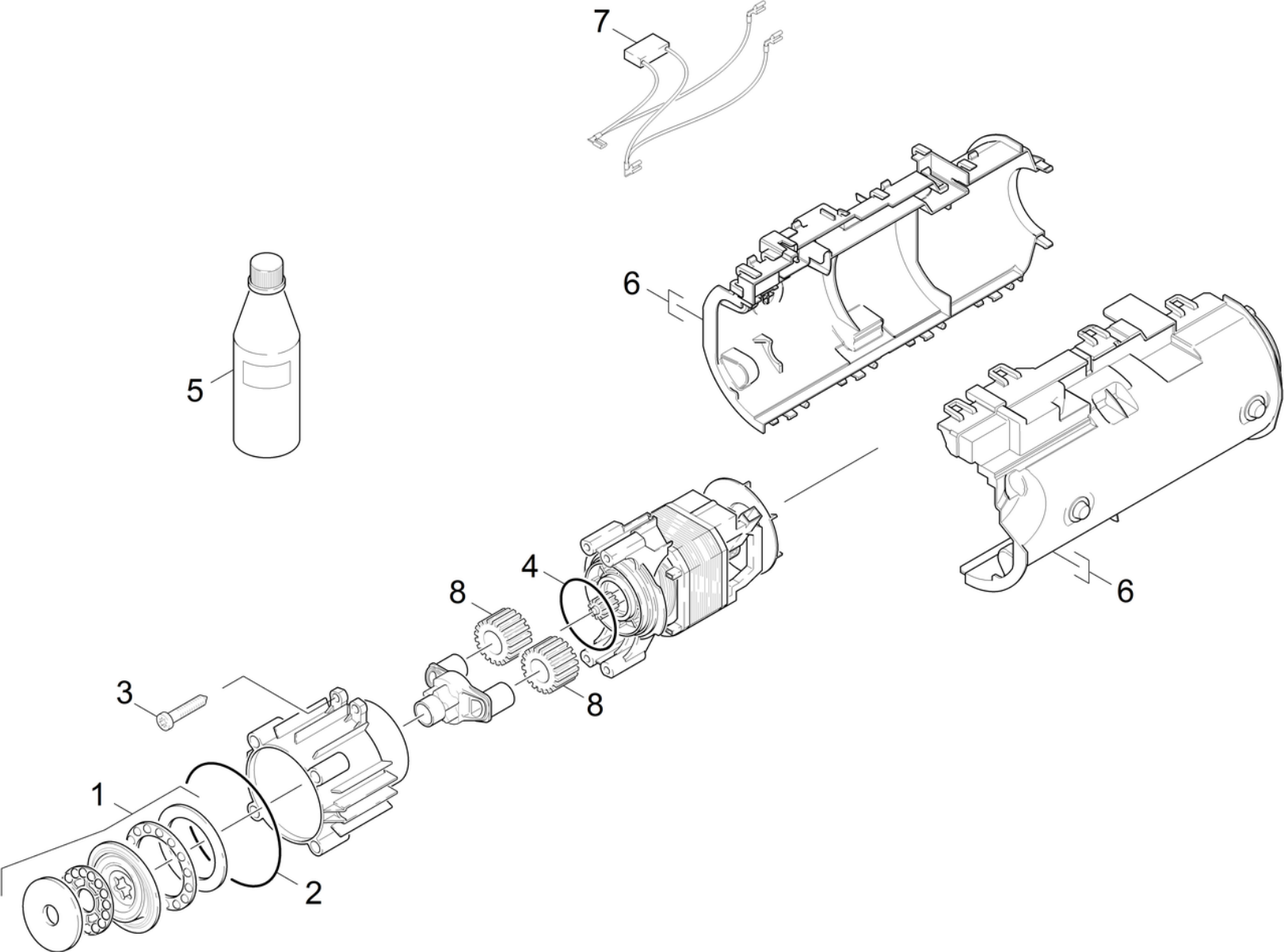
12 High-pressure outlet for replacement wit (4.063-914.0)

POS	Article no.	Description	Quantity	Unit
2	6.362-113.0	O-Ring seal 6,0 x 2,0 NBR 70	1.000	ST



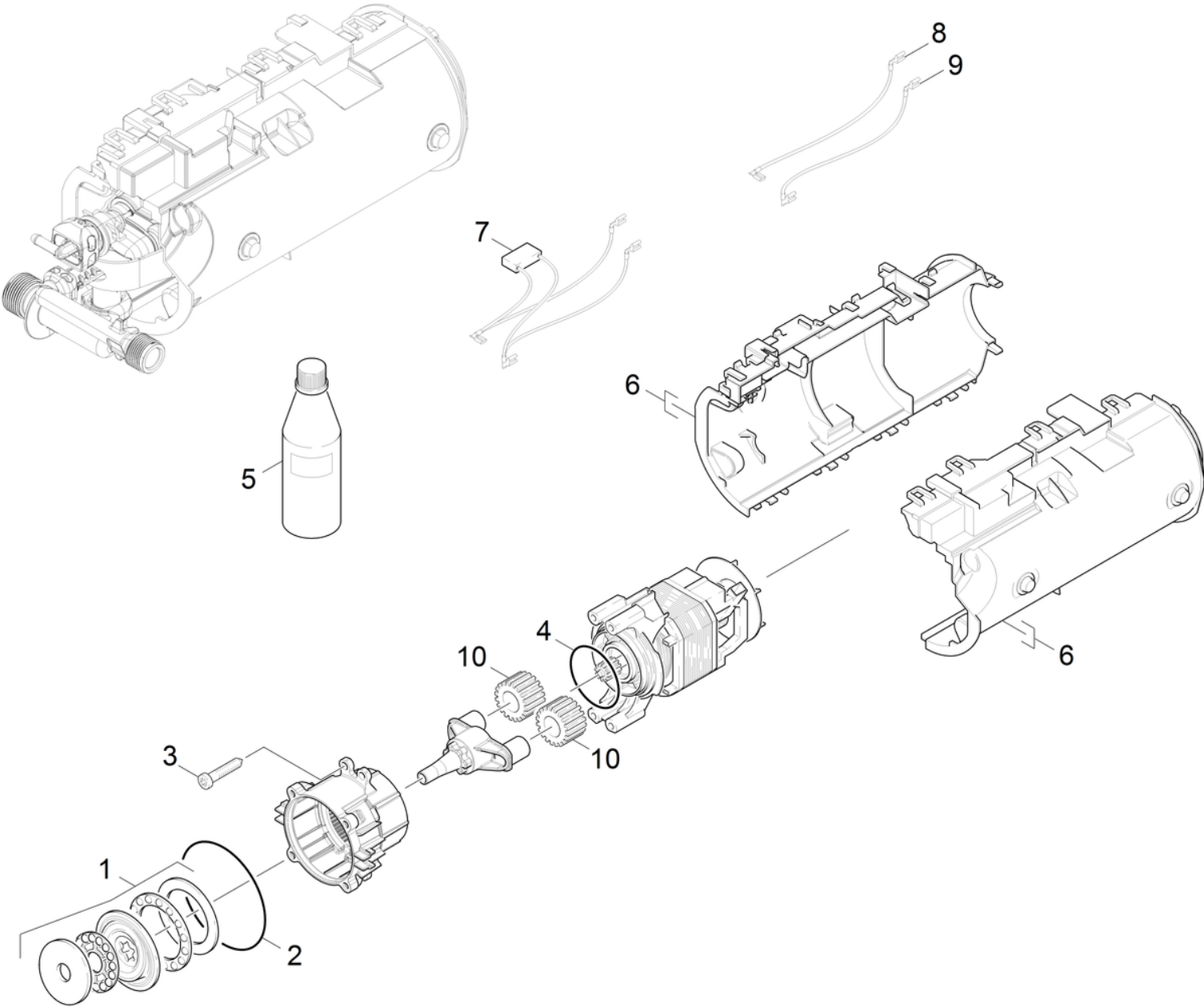
30 Motor

POS	Description	Quantity	Unit	Foot note text
32	Motor	1.000	ST	VERSION 2
31	Motor	1.000	ST	VERSION 1



31 Motor

POS	Article no.	Description	Quantity	Unit
7	6.648-389.0	Cable with capacitor 220nF (225/280mm)	1.000	ST
5	6.288-112.0	Engine oil 1L	1.000	ST
6	4.067-049.0	Motor housing set replacement L+R (K2.90	1.000	ST
4	6.363-340.0	O-Ring 50 x 2,2 NBR 80	1.000	ST
2	6.362-902.0	O-Ring 60x2,5 NBR 70	1.000	ST
8	5.352-093.0	Planet wheel N-cor (z22) - FEES	2.000	ST
3	6.303-260.0	Screw 5x26,4	4.000	ST
1	4.120-196.0	Wobble plate complete lift 4,09	1.000	ST

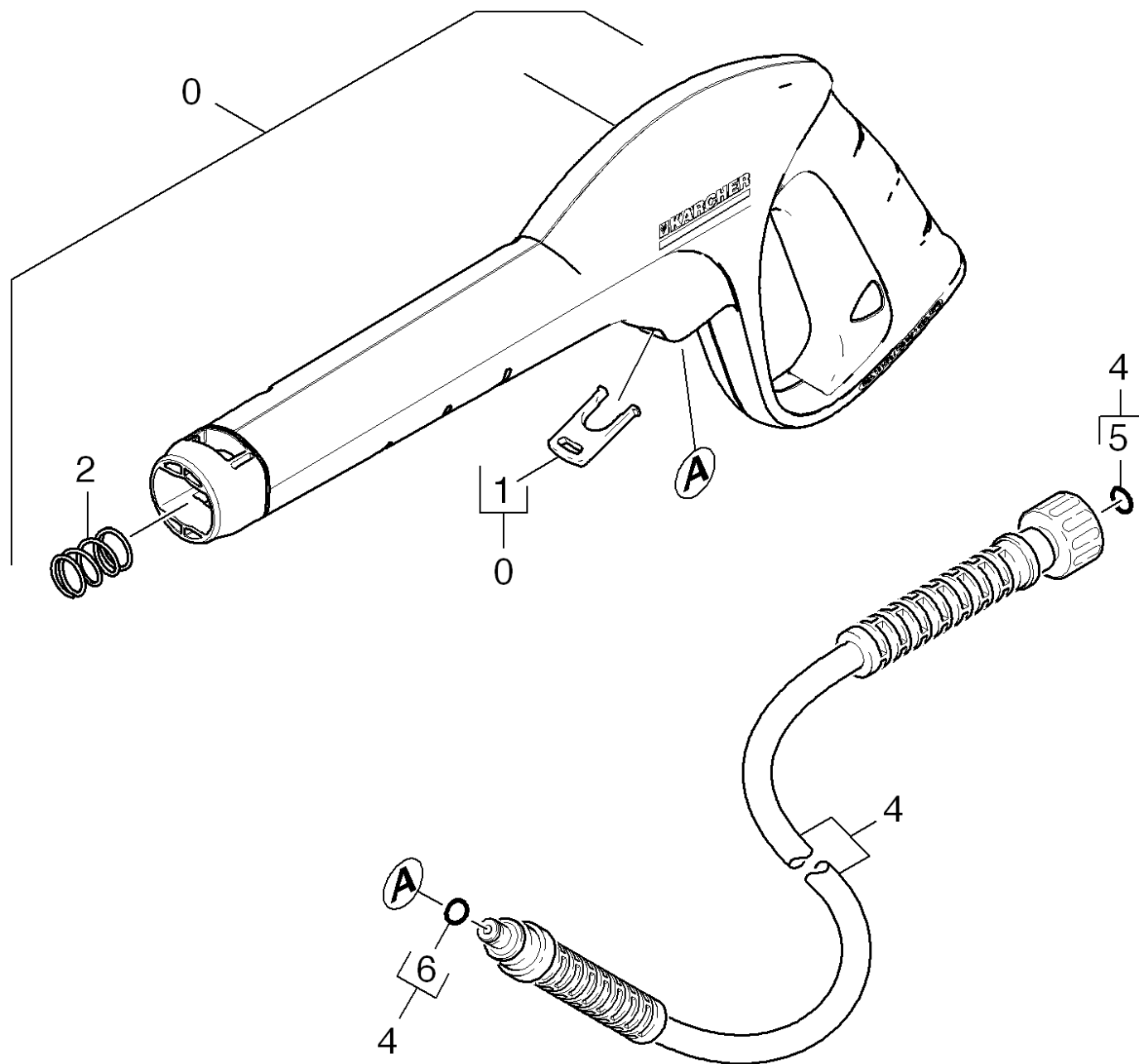


32 Motor

POS	Article no.	Description	Quantity	Unit
8	6.648-586.0	Cable motor brown AWG18x270mm	1.000	ST
9	6.648-587.0	Cable motor red AWG18x225mm	1.000	ST
7	6.648-389.0	Cable with capacitor 220nF (225/280mm)	1.000	ST
5	6.288-112.0	Engine oil 1L	1.000	ST
6	4.067-071.0	Motor housing set replacement K2 RV	1.000	ST
4	6.363-657.0	O-Ring seal 50x2.35 NBR 70	1.000	ST
2	6.362-826.0	O-Ring seal 61,6x2,62	1.000	ST
10	5.352-093.0	Planet wheel N-cor (z22) - FEES	2.000	ST
3	6.303-260.0	Screw 5x26,4	4.000	ST
1	4.120-228.0	Wobble plate lift 4,02 (37); 6°12'	1.000	ST

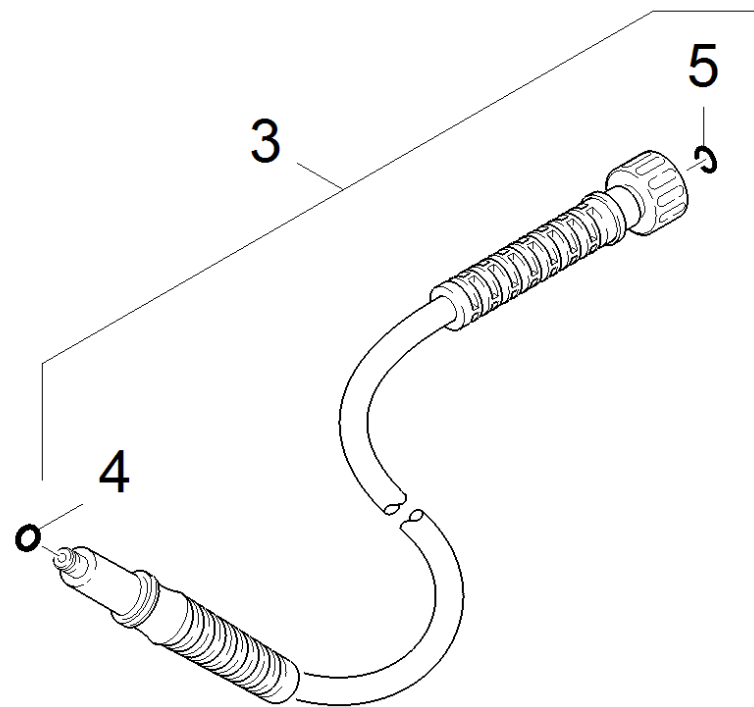
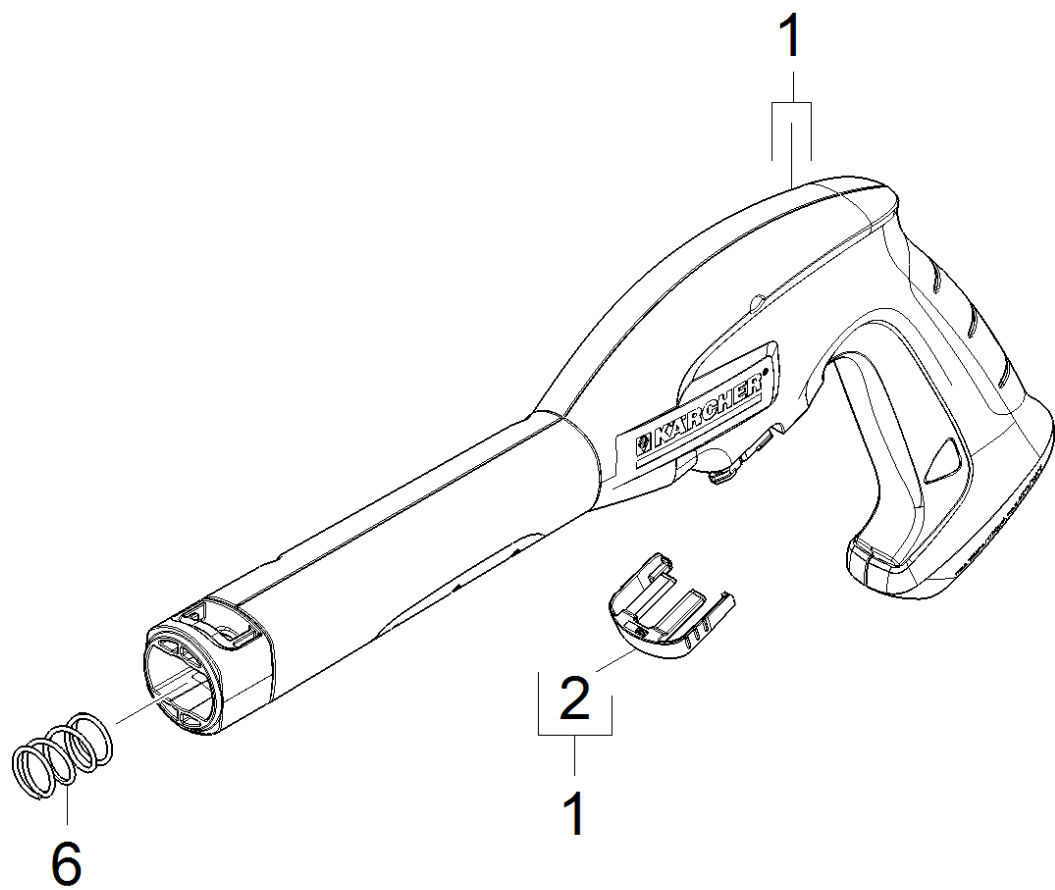
40 Accessories

POS	Description	Quantity	Unit	Remark	Foot note text
45	Dirt blaster	1.000	ST		
47	Foam lance	1.000	ST		
42	Hand trigger gun	1.000	ST		VERSION 2
41	Hand trigger gun	1.000	ST		VERSION 1
49	Surface cleaner	1.000	ST	T 150	
48	Surface cleaner T 50	1.000	ST	T 50	
43	Vario-Power Jet pipe K2	1.000	ST	RATIO IV	
44	Vario-Power Jet pipe K2	1.000	ST	RATIO V	
46	Washing brush	1.000	ST		



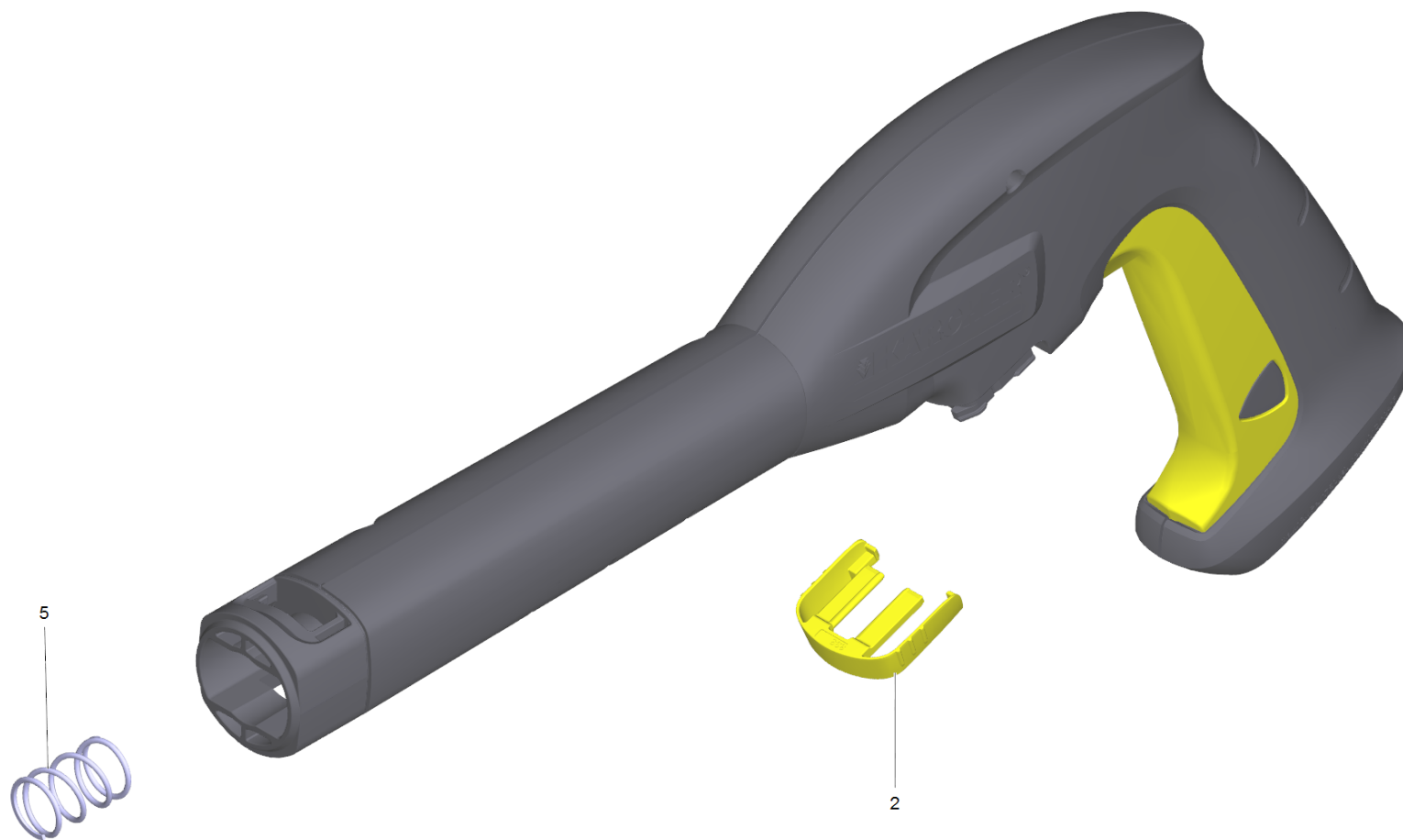
41 Hand trigger gun

POS	Article no.	Description	Quantity	Unit
1	5.037-185.0	Clamp	1.000	ST
0	2.641-959.0	G 160 pistol	1.000	ST
4	2.643-312.0	HK 4 high pressure hose set *DE	1.000	ST
6	6.362-498.0	O-Ring seal 6,75x1,78 NBR 70	1.000	ST
2	5.332-464.0	Pressure spring	1.000	ST
5	2.880-990.0	Spare part set O-Ring 5x -Kaercher	1.000	ST



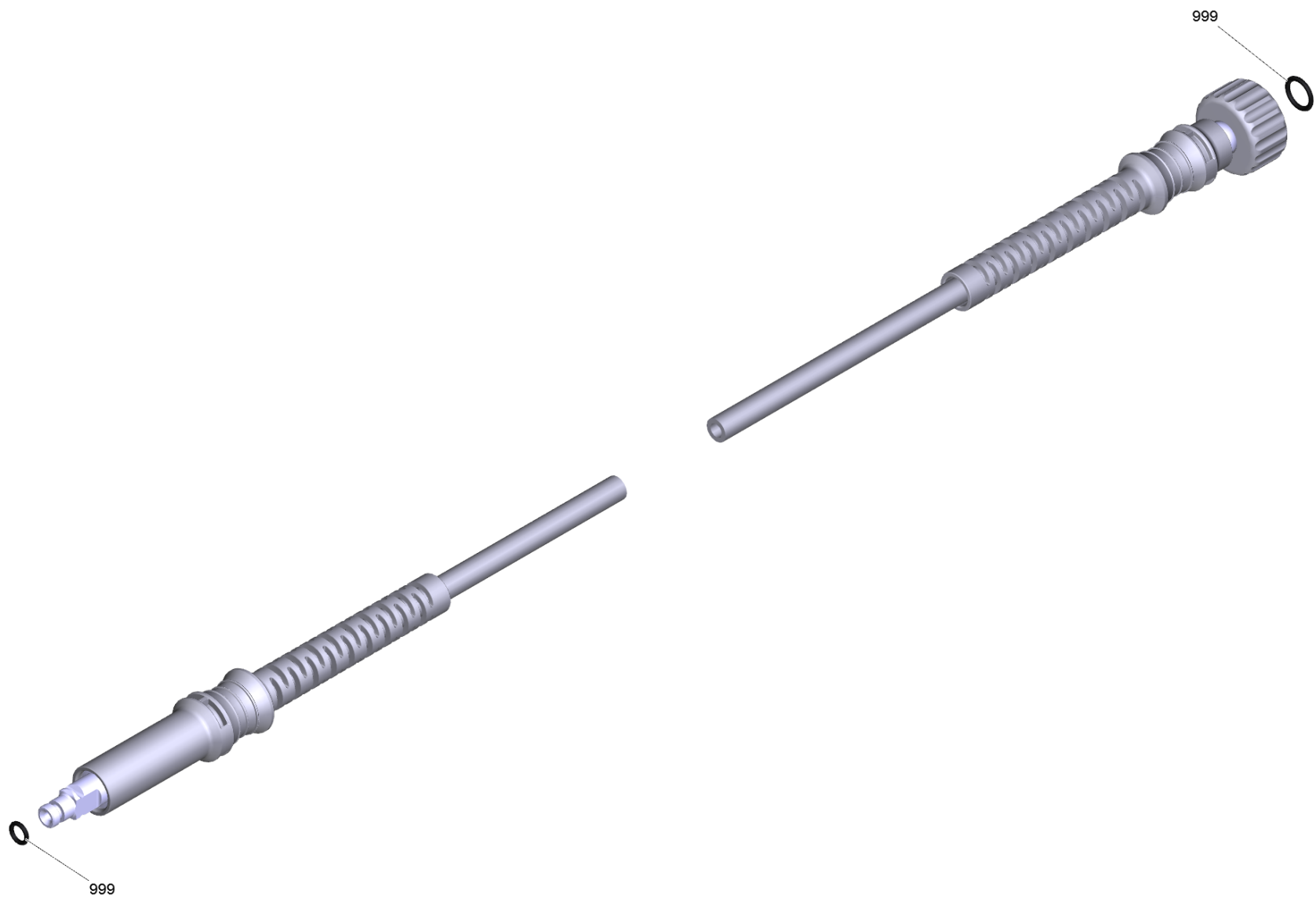
42 Hand trigger gun

POS	Article no.	Description	Quantity	Unit
2	5.037-333.0	Clamp pistol Entry	1.000	ST
1	4.775-830.0	G 120 Q	1.000	ST
3	6.396-525.0	High pressure hose 12MPa/4 40°C NQCS B	1.000	ST
	Item text1: 1.601-506.0/-520.0/-521.0			
3	6.396-228.0	High pressure hose 12MPa/10 40°C NQC B	1.000	ST
4	6.363-410.0	O-Ring seal 5,7x1,78 NBR 90Shore	1.000	ST
6	5.332-464.0	Pressure spring	1.000	ST
5	2.880-990.0	Spare part set O-Ring 5x -Kaercher	1.000	ST



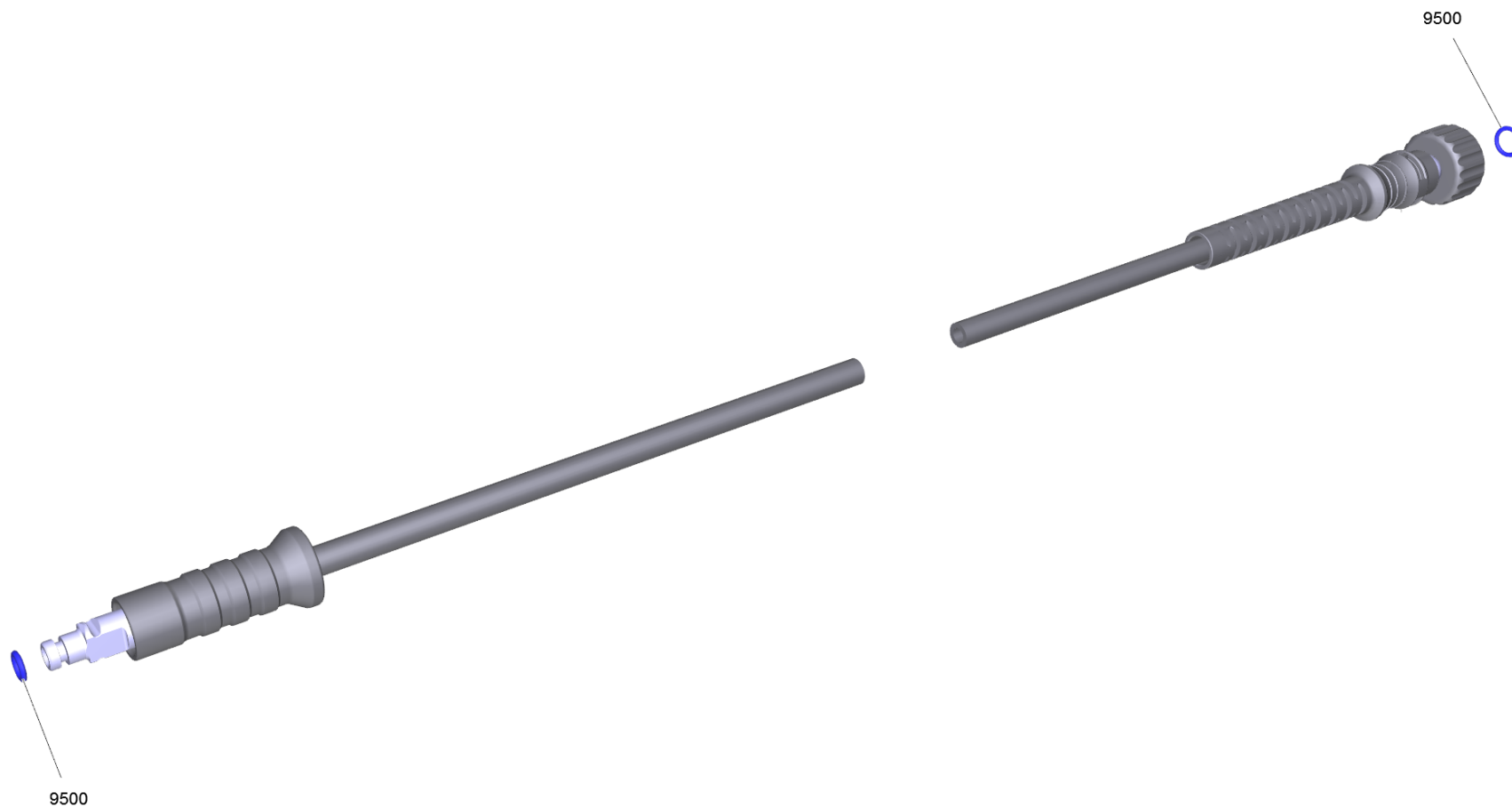
1 G 120 Q (4.775-830.0)

POS	Article no.	Description	Quantity	Unit
2	5.037-333.0	Clamp pistol Entry	1.000	ST
5	5.332-464.0	Pressure spring	1.000	ST



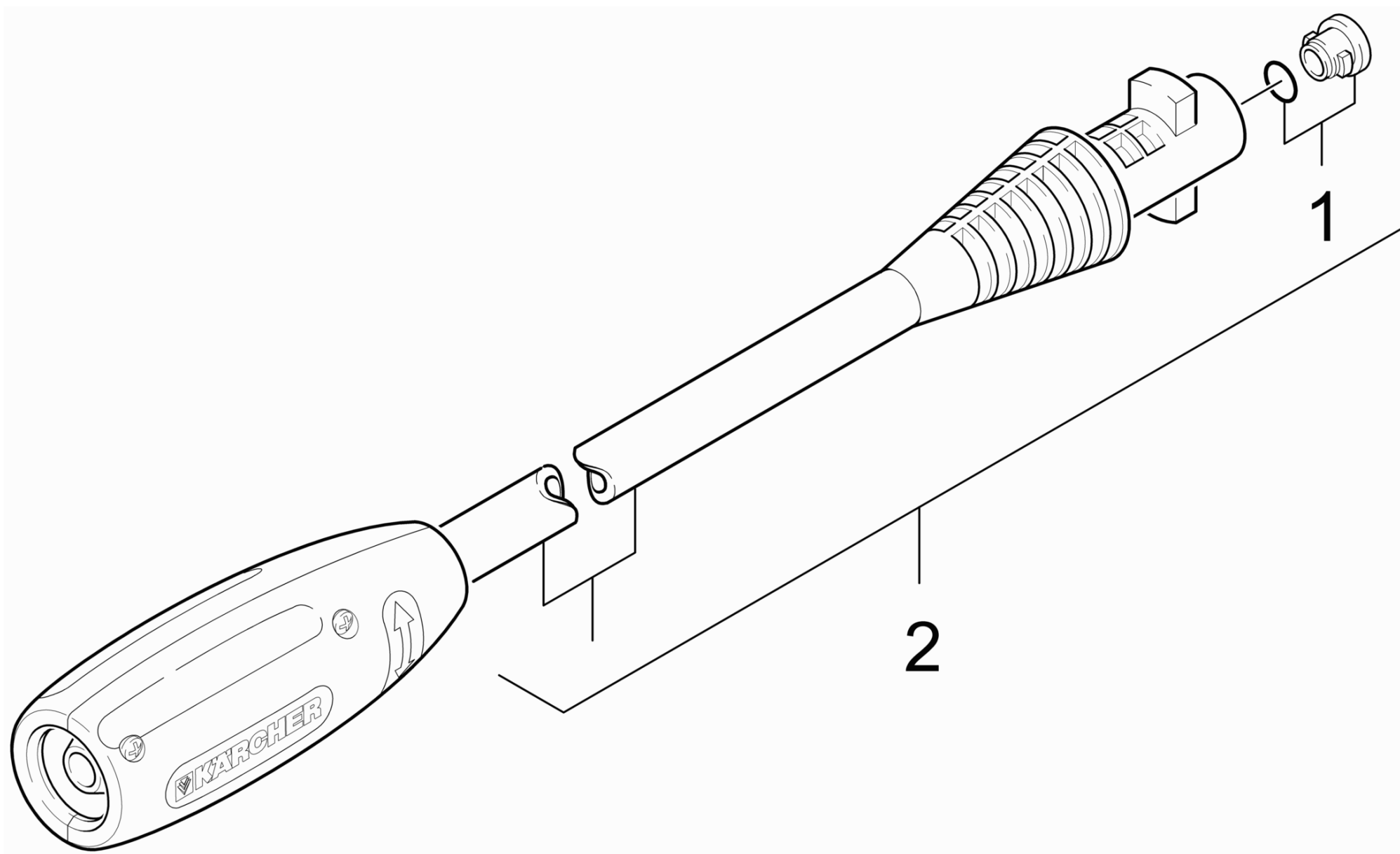
3 High pressure hose 12MPa/10 40°C NQC B (6.396-228.0)

POS	Article no.	Description	Quantity	Unit
999	2.640-729.0	O-Ring seal set	1.000	ST



3 High pressure hose 12MPa/4 40°C NQCS B (6.396-525.0)

POS	Article no.	Description	Quantity	Unit
9500	2.640-729.0	O-Ring seal set	1.000	ST



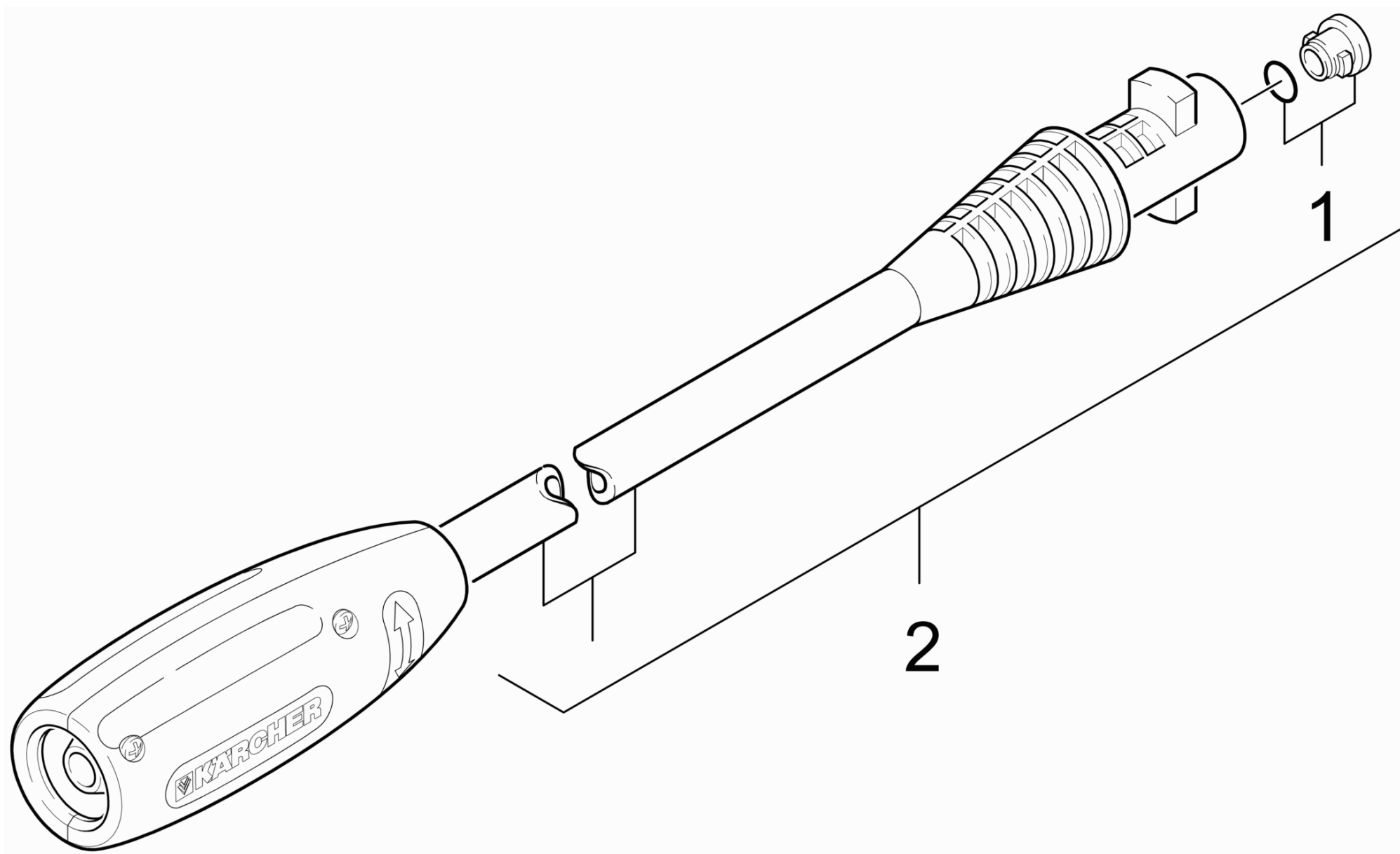
43 Vario-Power Jet pipe K2

POS	Article no.	Description	Quantity	Unit
1	2.640-729.0	O-Ring seal set	1.000	ST
2	4.760-723.0	VPS K2 0287	1.000	ST



2 VPS K2 0287 (4.760-723.0)

POS	Article no.	Description	Quantity	Unit
1	2.640-729.0	O-Ring seal set	1.000	ST



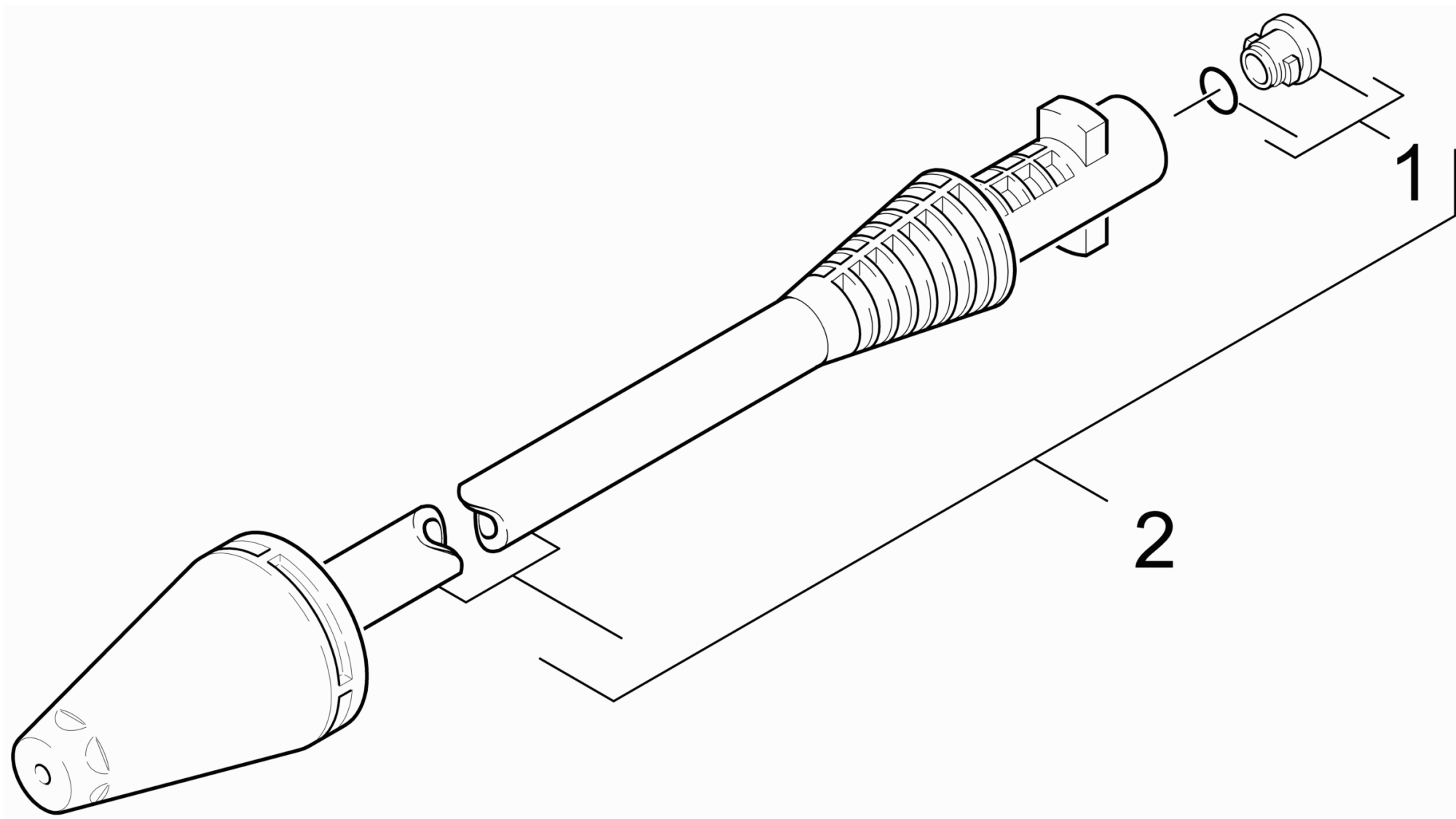
44 Vario-Power Jet pipe K2

POS	Article no.	Description	Quantity	Unit
1	2.640-729.0	O-Ring seal set	1.000	ST
2	4.760-535.0	VPS K2 025	1.000	ST



2 VPS K2 025 (4.760-535.0)

POS	Article no.	Description	Quantity	Unit
1	2.640-729.0	O-Ring seal set	1.000	ST



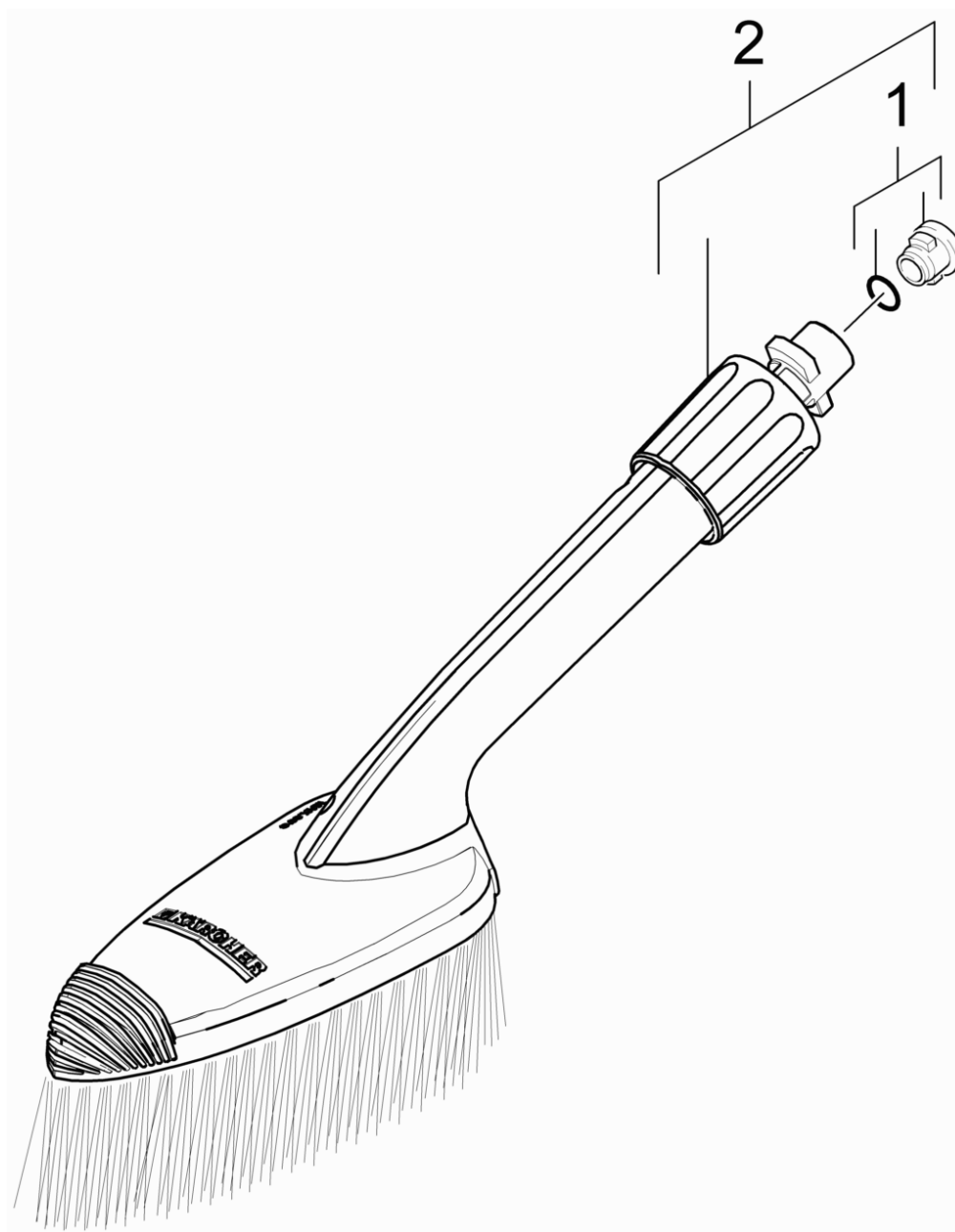
45 Dirt blaster

POS	Article no.	Description	Quantity	Unit
2	4.764-243.0	Dirt blaster K2 027 St	1.000	ST
1	2.640-729.0	O-Ring seal set	1.000	ST



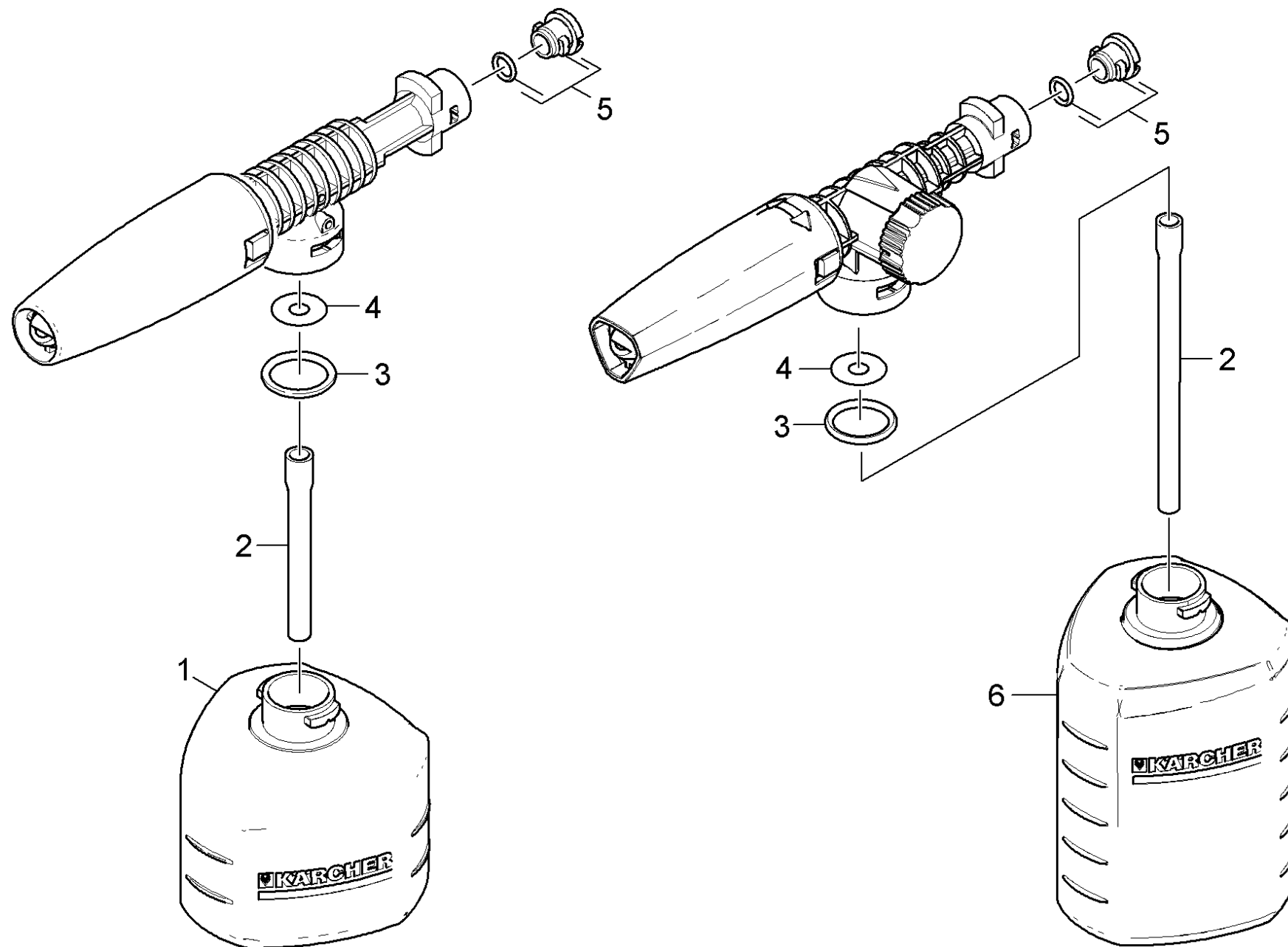
2 Dirt blaster K2 027 St (4.764-243.0)

POS	Article no.	Description	Quantity	Unit
1	2.640-729.0	O-Ring seal set	1.000	ST



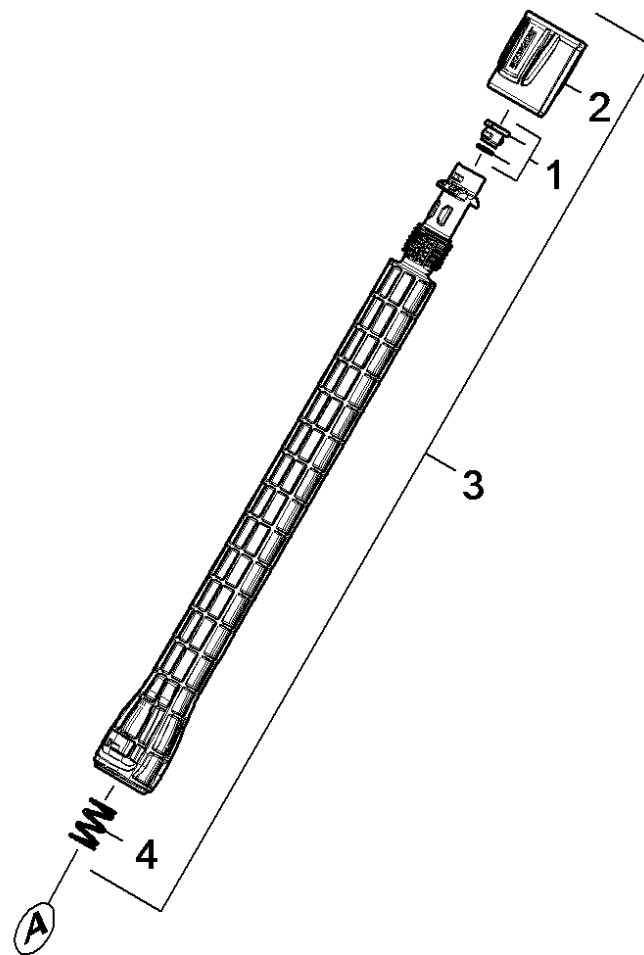
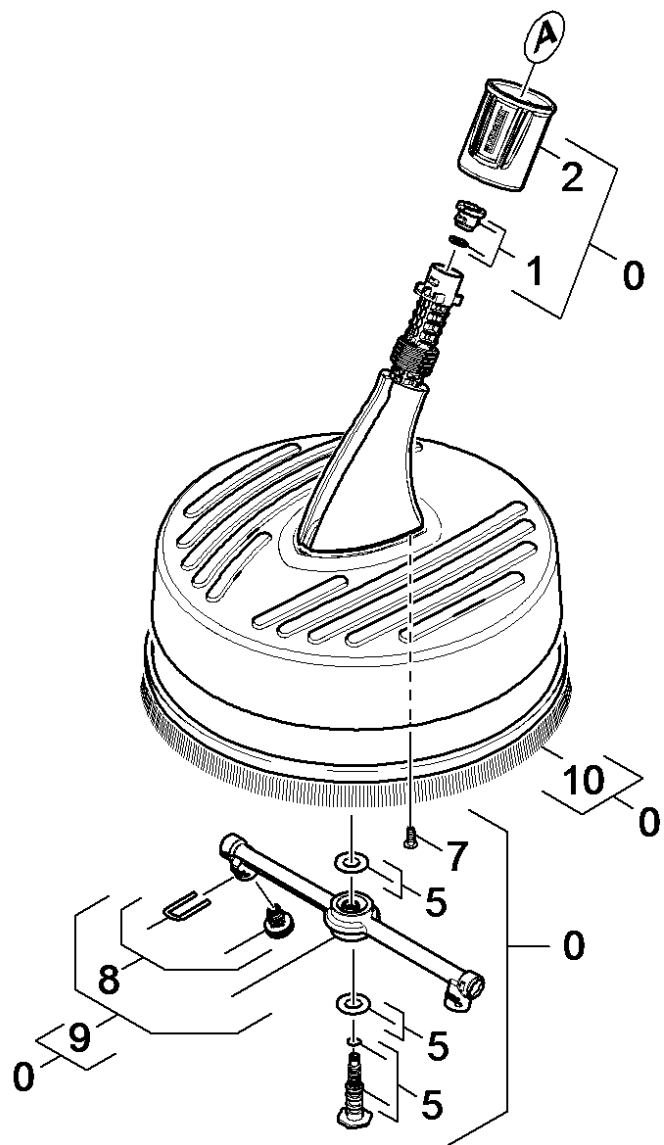
46 Washing brush

POS	Article no.	Description	Quantity	Unit
2	2.640-589.0	Brush lengthwise	1.000	ST
1	2.640-729.0	O-Ring seal set	1.000	ST



47 Foam lance

POS	Article no.	Description	Quantity	Unit	Foot note text
4	5.367-026.0	Diaphragm	1.000	ST	
2	6.388-216.0	Hose DN 5	1.000	M	TO ORDER AS CUT GOODS
3	6.362-874.0	O-Ring seal 21x3 - NBR 70	2.000	ST	
5	2.640-729.0	O-Ring seal set	2.000	ST	
1	5.071-203.0	Tank cleaning agents 0,3 l	1.000	ST	
6	5.071-202.0	Tank cleaning agents 0,6 l	1.000	ST	



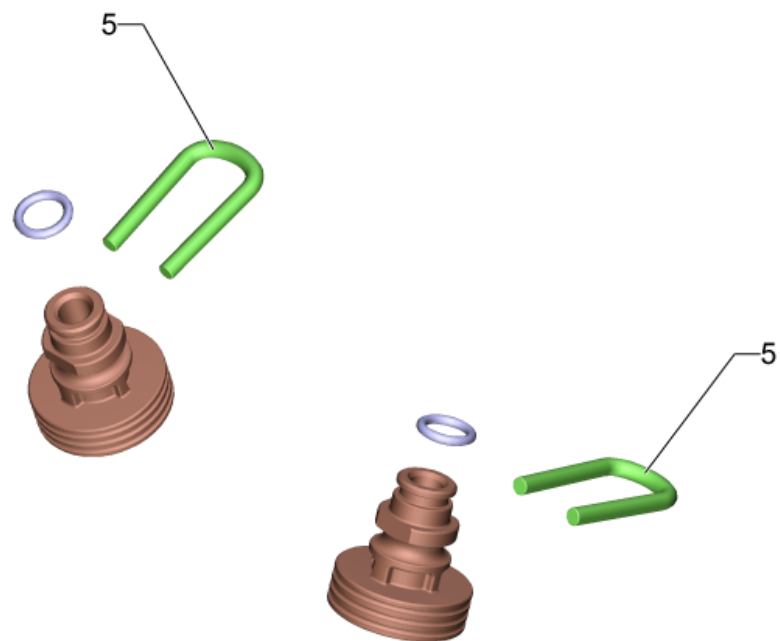
48 Surface cleaner T 50

POS	Article no.	Description	Quantity	Unit
2	5.310-160.0	Nut Kaercher	2.000	ST
1	2.640-729.0	O-Ring seal set	2.000	ST
4	5.332-464.0	Pressure spring	1.000	ST
7	7.303-106.0	Screw 4x12 -10.9-R2R (IN6RD)	3.000	ST
3	2.643-240.0	Single-step jet pipe extension	1.000	ST
9	2.884-530.0	Spare part set rotor T 50	1.000	ST
5	2.883-994.0	Spare part set set of gaskets neutrally	1.000	ST
8	2.643-338.0	Spare parts nozzles T-Racer	1.000	ST
10	6.369-978.0	Strip brush complete	1.000	ST
0	2.641-746.0	T 50 Gerätebeilage	1.000	ST




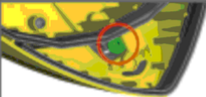









3 Single-step jet pipe extension (2.643-240.0)




POS	Article no.	Description	Quantity	Unit
10	5.310-160.0	Nut Kaercher	1.000	ST
3	2.640-729.0	O-Ring seal set	1.000	ST
8	5.332-464.0	Pressure spring	1.000	ST



8 Spare parts nozzles T-Racer (2.643-338.0)

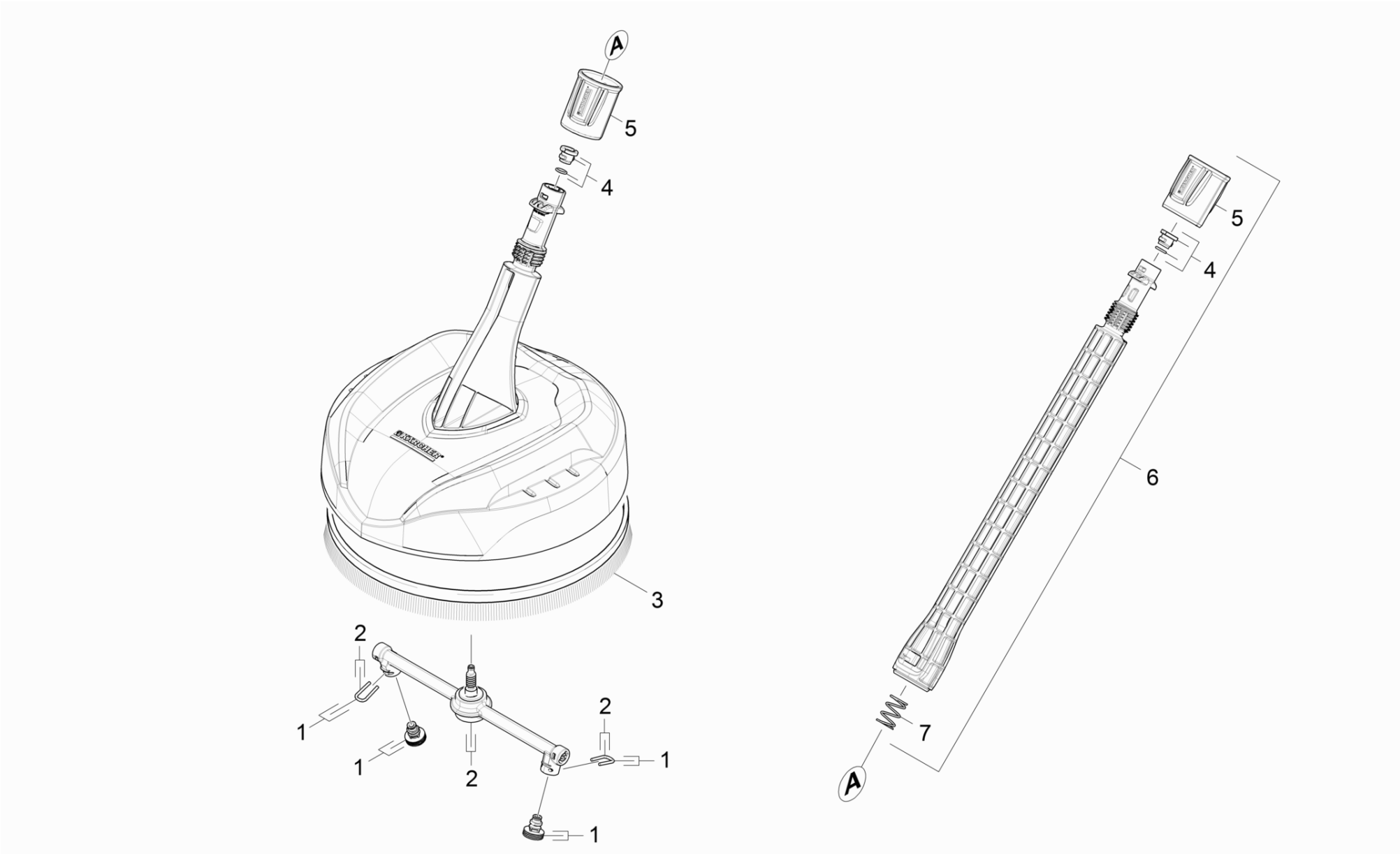
T 50, T 70, T 80, T 100 T 150, T 200, T 250, T 300, T 400, T 450, T 550	K 2 - K 5		
	K 6 - K 7		
T 400, T 450 T 550			
T 200, T 250	K 6 - K 7		
T 350 Gas			

	K 3 - K 5	
	K 6 - K 7	

	K 2	
	K 3 - K 5	

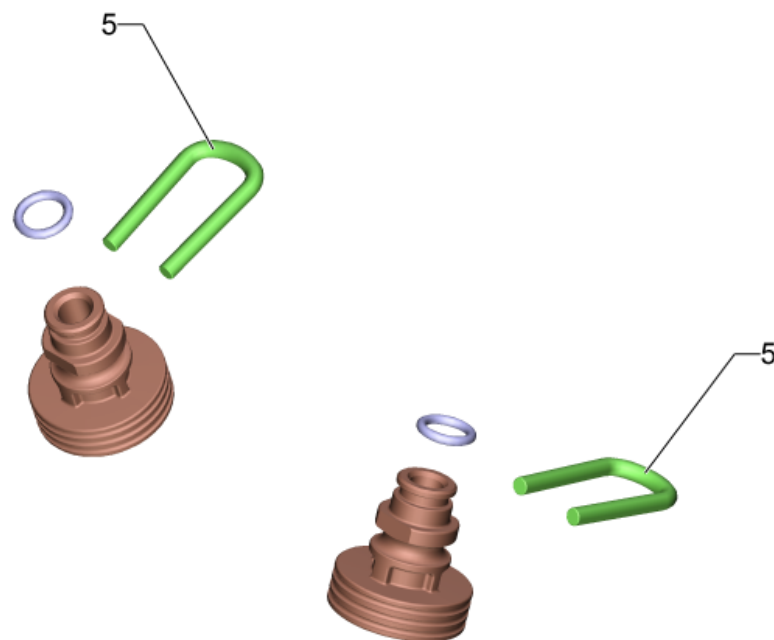
8 Spare parts nozzles T-Racer (2.643-338.0)

POS	Article no.	Description	Quantity	Unit	Remark	Foot note text
5	5.037-151.0	Clamp	2.000	ST		
1	4.764-155.0	Nozzle complete 15015	1.000	ST	<13 MPa (<130 bar)	GREY
		Item text1: 015				
2	4.764-156.0	Nozzle complete 15020	1.000	ST	13 MPa (130 bar) - 16 MPa (160 bar)	YELLOW
		Item text1: 020				
3		Nozzle complete 15027	1.000	ST		BLACK
		Item text1: 027				
4	4.764-190.0	Nozzle kpl. 75047	1.000	ST		GREEN
		Item text1: 047				




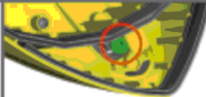









49 Surface cleaner

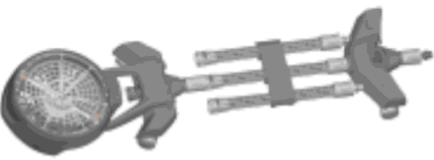


POS	Article no.	Description	Quantity	Unit
7	5.332-434.0	Helical spring	1.000	ST
5	5.310-160.0	Nut Kaercher	2.000	ST
4	2.640-729.0	O-Ring seal set	2.000	ST
6	2.643-240.0	Single-step jet pipe extension	1.000	ST
2	2.883-000.0	Spare part set rotor complete	1.000	ST
1	2.643-338.0	Spare parts nozzles T-Racer	1.000	ST
3	6.369-978.0	Strip brush complete	1.000	ST



1 Spare parts nozzles T-Racer (2.643-338.0)

T 50, T 70, T 80, T 100 T 150, T 200, T 250, T 300, T 400, T 450, T 550	K 2 - K 5		
	K 6 - K 7		
T 400, T 450 T 550			
T 200, T 250	K 6 - K 7		
T 350 Gas			

	K 3 - K 5	
	K 6 - K 7	

	K 2	
	K 3 - K 5	

1 Spare parts nozzles T-Racer (2.643-338.0)

POS	Article no.	Description	Quantity	Unit	Remark	Foot note text
5	5.037-151.0	Clamp	2.000	ST		
1	4.764-155.0	Nozzle complete 15015	1.000	ST	<13 MPa (<130 bar)	GREY
		Item text1: 015				
2	4.764-156.0	Nozzle complete 15020	1.000	ST	13 MPa (130 bar) - 16 MPa (160 bar)	YELLOW
		Item text1: 020				
3		Nozzle complete 15027	1.000	ST		BLACK
		Item text1: 027				
4	4.764-190.0	Nozzle kpl. 75047	1.000	ST		GREEN
		Item text1: 047				



6 Single-step jet pipe extension (2.643-240.0)

POS	Article no.	Description	Quantity	Unit
10	5.310-160.0	Nut Kaercher	1.000	ST
3	2.640-729.0	O-Ring seal set	1.000	ST
8	5.332-464.0	Pressure spring	1.000	ST