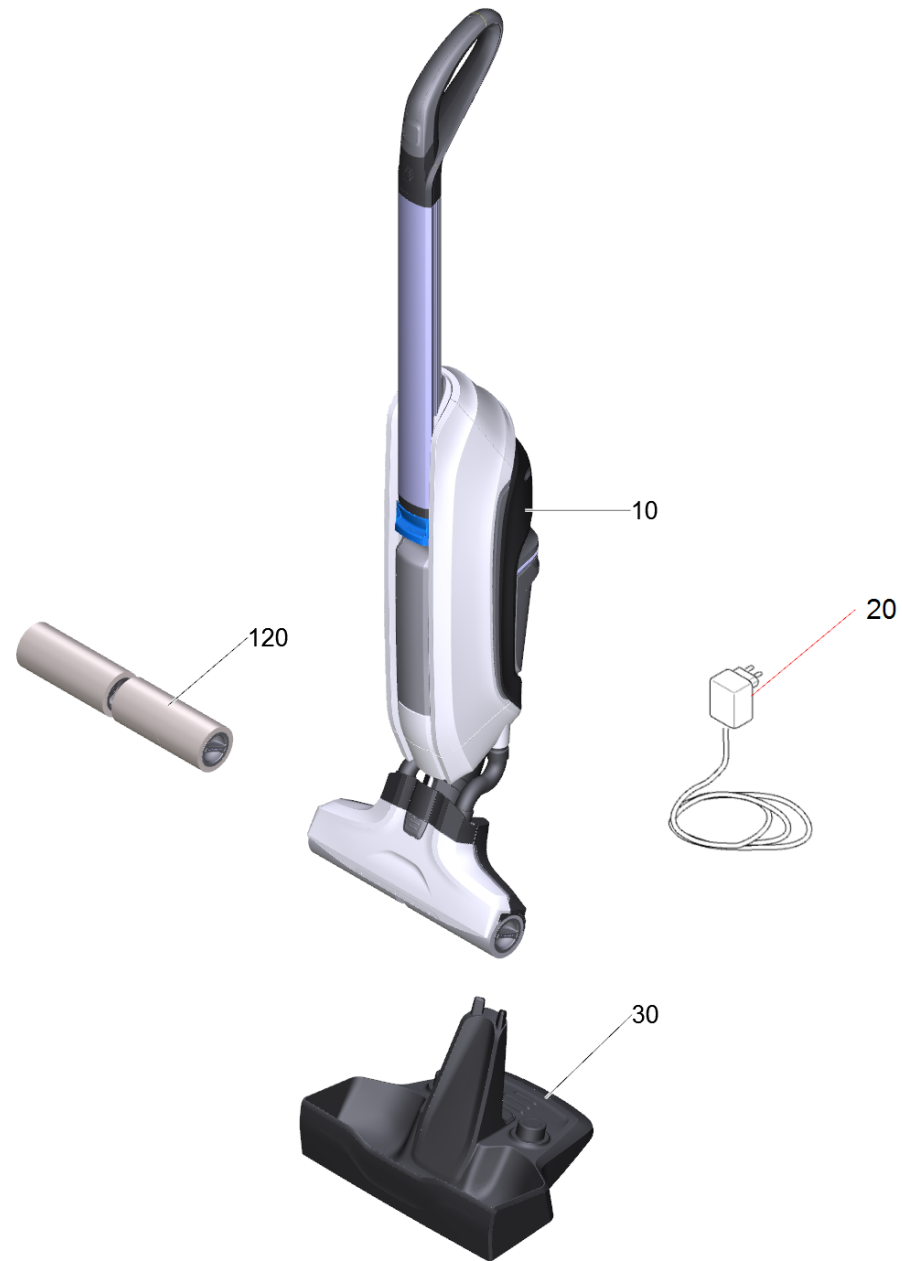


Spare parts list

(1.055-660.0) FC 5 Cordless Premium (white) *EU

Table of contents

FC 5 Cordless Premium (white) *EU (1.055-660.0)	3
10 Device FC 5 Cordless Pre (white)* EU	5
10 Basic unit white	7
20 Brush complete white	9
10 Brush assembly (yellow+grey)	11
10 Spare parts set drive complete (4.071-565.0)	13
30 Handle complete white	14
20 Handle cable switch	16
40 Dirt bin complete (4.055-030.0)	18
50 Water tank complete	20



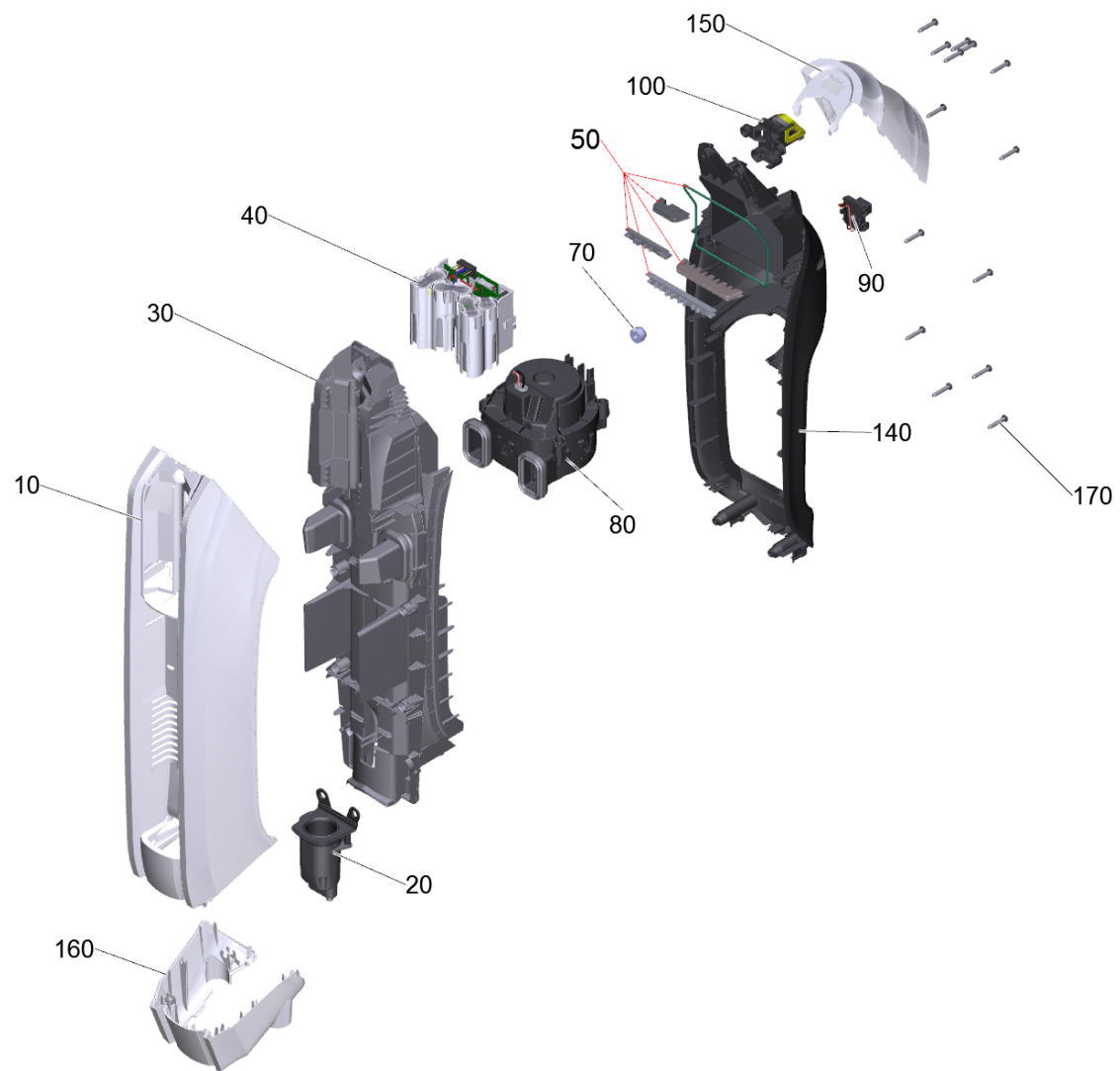
FC 5 Cordless Premium (white) *EU (1.055-660.0)

POS	Article no.	Description	Quantity	Unit
10		Device FC 5 Cordless Pre (white)* EU	1.000	ST
20	6.195-069.0	Power supply PS07 Phihong *EU	1.000	ST
30	5.055-521.0	Cleaning station premium	1.000	ST
120	2.055-007.0	Set of rollers grey set grau	1.000	ST



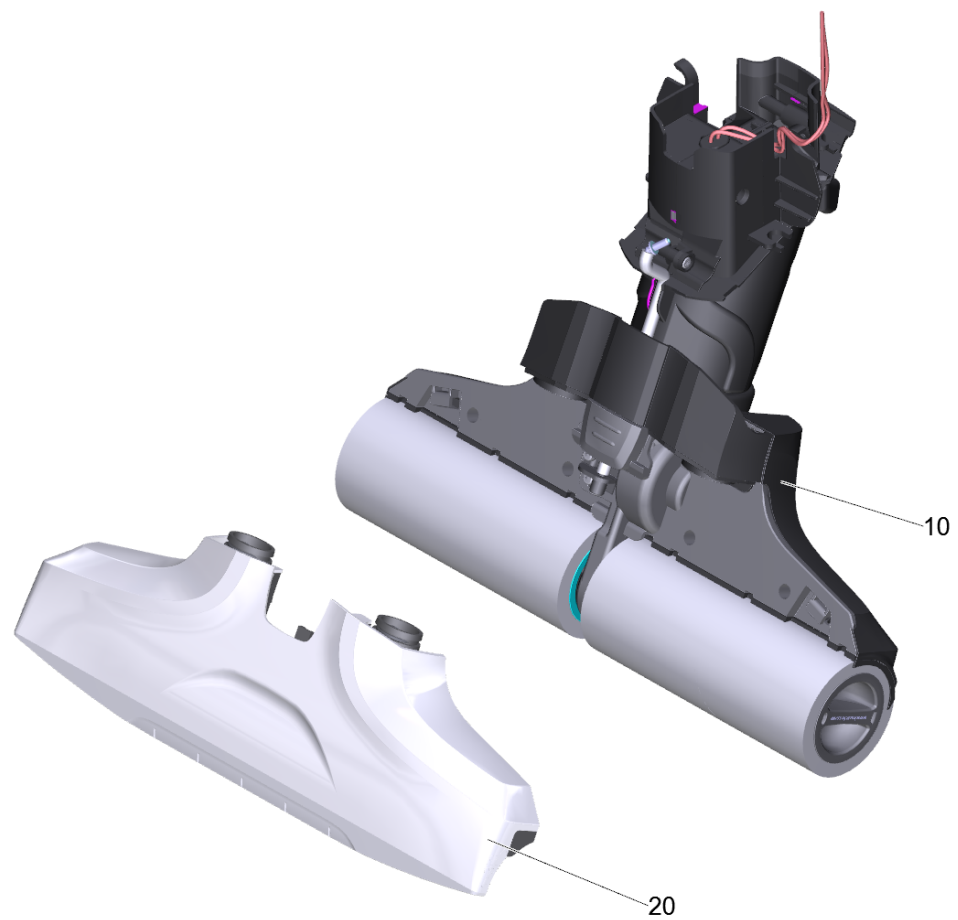
10 Device FC 5 Cordless Pre (white)* EU

POS	Article no.	Description	Quantity	Unit
10		Basic unit white	1.000	ST
20		Brush complete white	1.000	ST
21	6.330-123.0	Pressure spring	1.000	ST
22	5.055-419.0	Connection extraction system	1.000	ST
23	5.055-404.0	Seal intake dirt box	1.000	ST
24	6.901-002.0	Suction hose complete	1.000	ST
30		Handle complete white	1.000	ST
40	4.055-030.0	Dirt bin complete	1.000	ST
50		Water tank complete	1.000	ST
60	4.055-110.0	Filter complete for replacement	1.000	ST



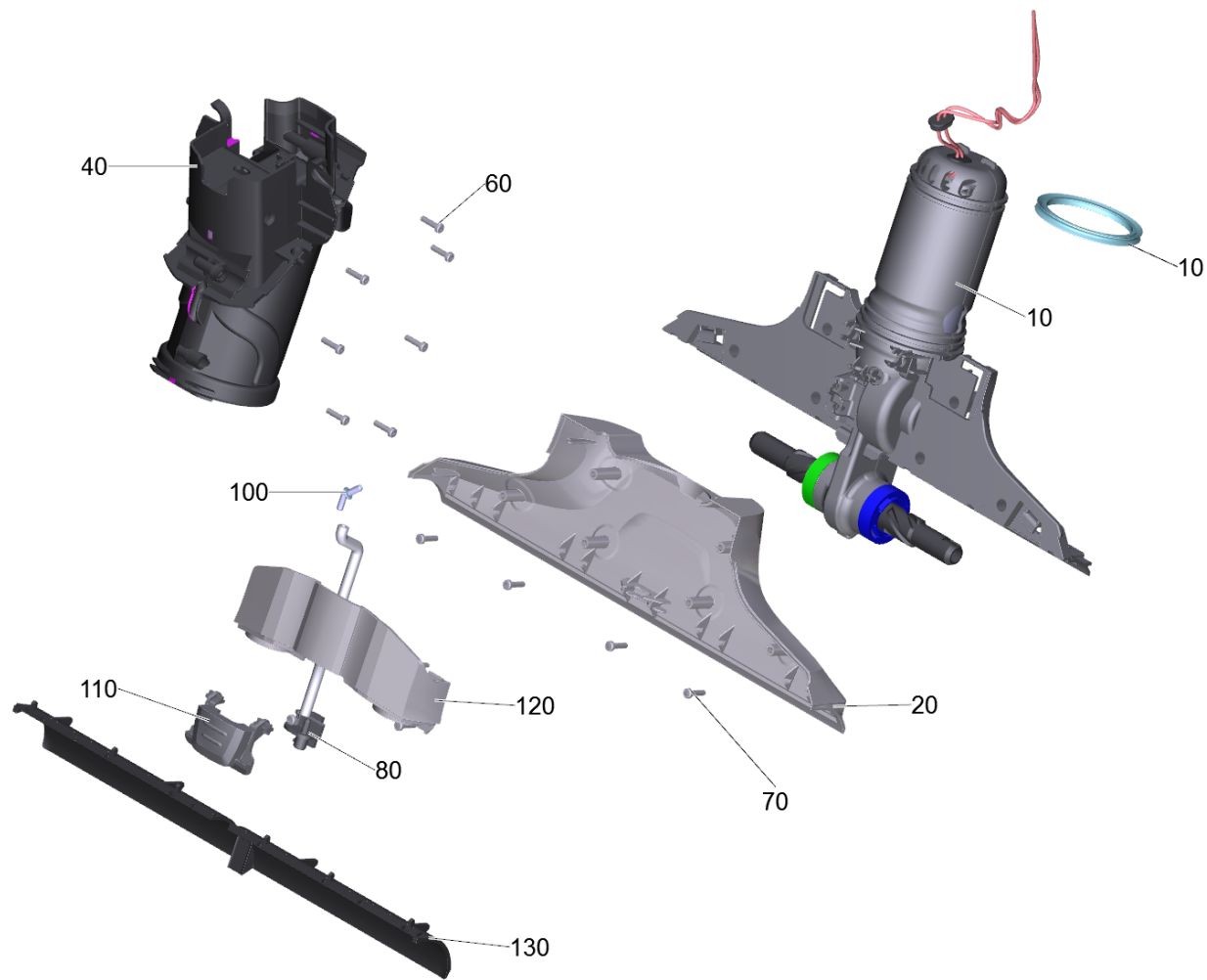
10 Basic unit white

POS	Article no.	Description	Quantity	Unit
10	9.038-620.0	Housing front printed (white)	1.000	ST
20	9.013-545.3	Water valve complete	1.000	ST
30	9.038-616.0	Bracket frame (yellow)	1.000	ST
40	4.071-570.0	Battery accumulator complete	1.000	ST
50	4.071-538.0	Spare parts set seals	1.000	ST
70	5.055-441.0	Rubber bearing	1.000	ST
80	9.013-540.3	Spare parts set turbine-motor completely	1.000	ST
90	9.013-548.3	Charging jack complete	1.000	ST
100	9.013-558.3	LED box completely	1.000	ST
140	9.038-618.0	Housing back (grey)	1.000	ST
150	9.038-617.0	Cover top (white)	1.000	ST
160	9.038-615.0	Cover bottom (white)	1.000	ST
170	9.086-221.0	Screw ATF 4.1x22	14.000	ST



20 Brush complete white

POS	Article no.	Description	Quantity	Unit
10		Brush assembly (yellow+grey)	1.000	ST
20	4.055-180.0	Cover plate aspiration complete	1.000	ST

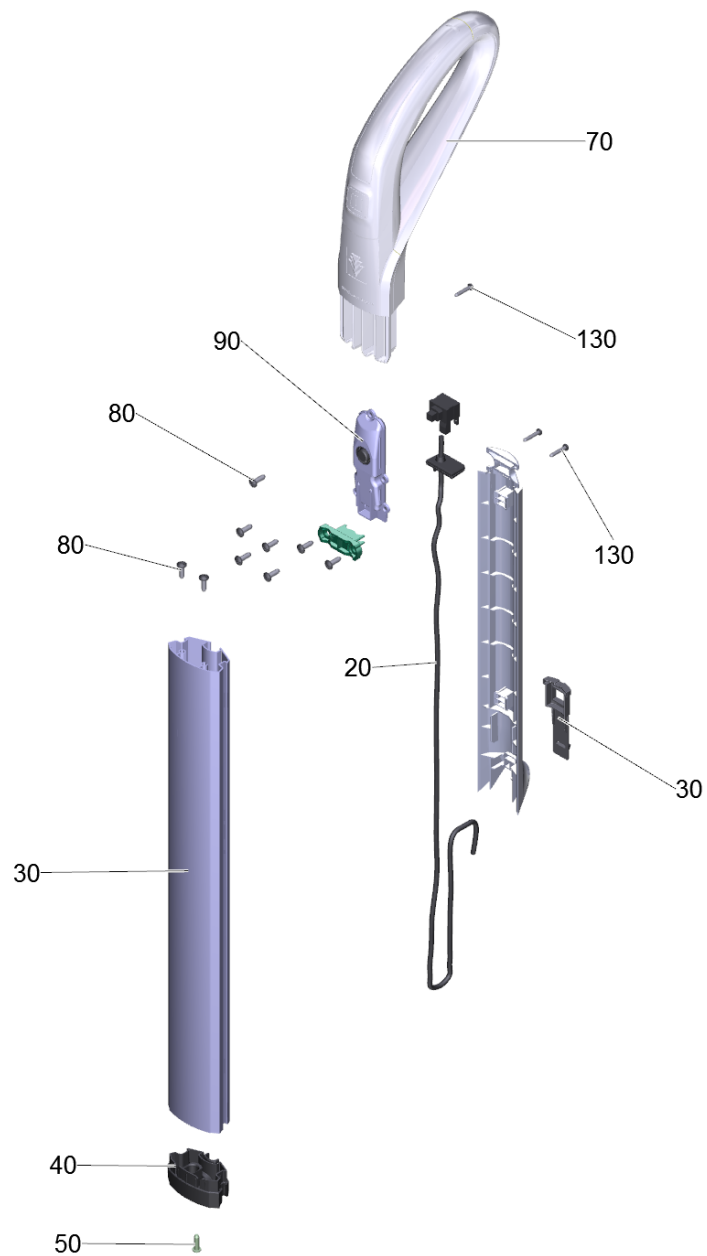


10 Brush assembly (yellow+grey)

POS	Article no.	Description	Quantity	Unit
10	4.071-565.0	Spare parts set drive complete	1.000	ST
20	5.055-461.0	Covering cap power brush grey	1.000	ST
40	4.055-177.0	Joint housing grey for replacement	1.000	ST
60	6.303-557.0	Screw 3x12 Kombitorx T8	7.000	ST
70	6.303-557.0	Screw 3x12 Kombitorx T8	8.000	ST
80	9.038-581.0	Hose nipple	1.000	ST
100	9.038-591.0	Water nipple	1.000	ST
110	9.038-610.0	Lock button (black)	1.000	ST
120	9.038-611.0	Cap hose (grey)	1.000	ST
130	5.055-410.0	Sweep edge	1.000	ST
140	6.288-225.0	Grease	1.000	ZST
150	5.332-366.0	Helical spring	1.000	ST

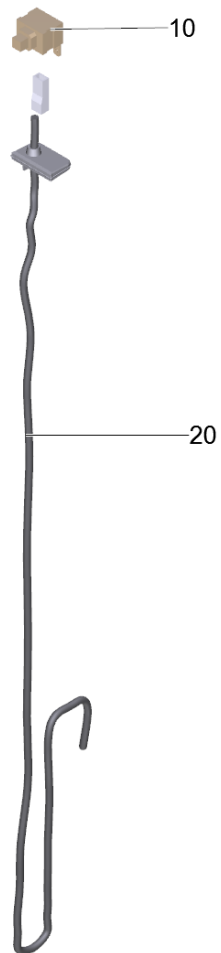
10 Spare parts set drive complete (4.071-565.0)

POS	Article no.	Description	Quantity	Unit
1	5.055-430.0	Seal	1.000	ST



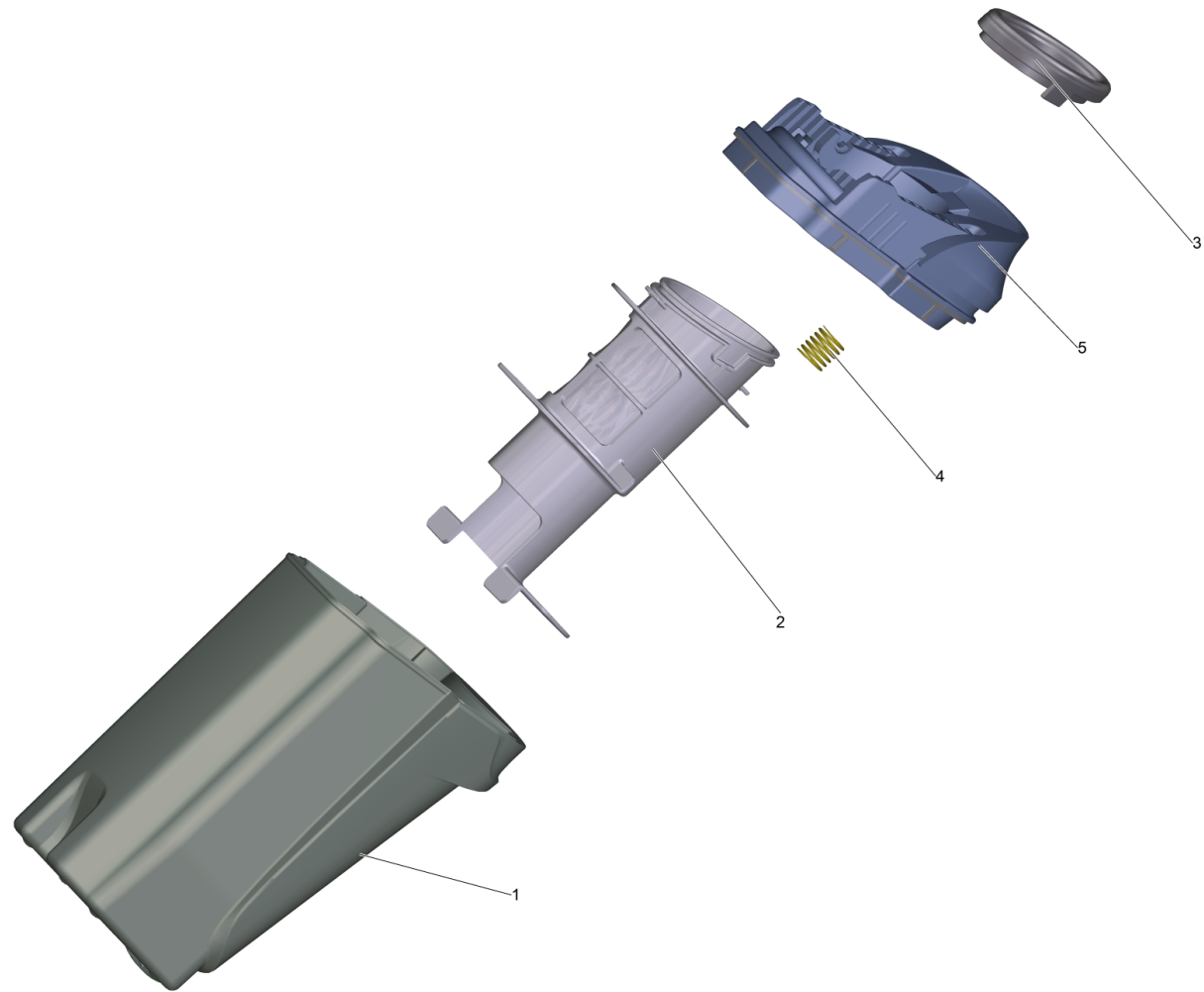
30 Handle complete white

POS	Article no.	Description	Quantity	Unit
10	5.055-477.0	Profile aluminium printed	1.000	ST
20		Handle cable switch	1.000	ST
30	5.055-239.0	Snap-fit	1.000	ST
40	5.055-251.0	Cap bottom	1.000	ST
50	6.303-122.0	M4 .2X13 DIN 7981 TORX T15 PAN HD HI/LO	1.000	ST
70	4.055-176.0	Hand grip grey for replacement	1.000	ST
80	7.303-106.0	Screw 4x12 -10.9-R2R (IN6RD)	9.000	ST
90	5.055-256.0	Cover switch	1.000	ST
130	7.303-264.0	Screw 3x16 -10.9-R2R (K-In6Rd)	3.000	ST



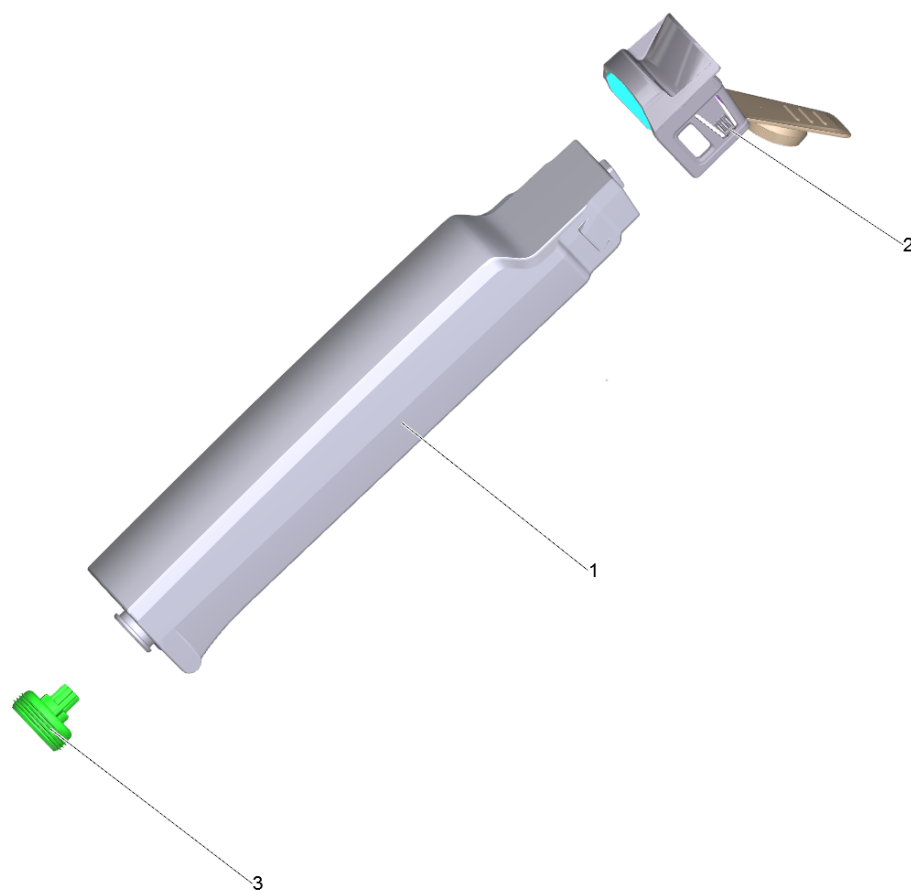
20 Handle cable switch

POS	Article no.	Description	Quantity	Unit
10	9.085-118.0	Switch 1P	1.000	ST
20	9.084-389.0	Handle cable switch	1.000	ST



40 Dirt bin complete (4.055-030.0)

POS	Article no.	Description	Quantity	Unit
1	5.055-399.0	Dirt box	1.000	ST
2	5.055-400.0	Separator	1.000	ST
3	5.055-046.0	Seal separator	1.000	ST
4	5.332-207.0	Helical spring	1.000	ST
5	4.055-108.0	Dirt box cover set f.E.	1.000	ST



50 Water tank complete

POS	Article no.	Description	Quantity	Unit
1	5.055-048.0	Fresh water tank	1.000	ST
2	5.055-049.0	Fresh water tank cover	1.000	ST
3	4.055-112.0	Valve complete for replacement	1.000	ST