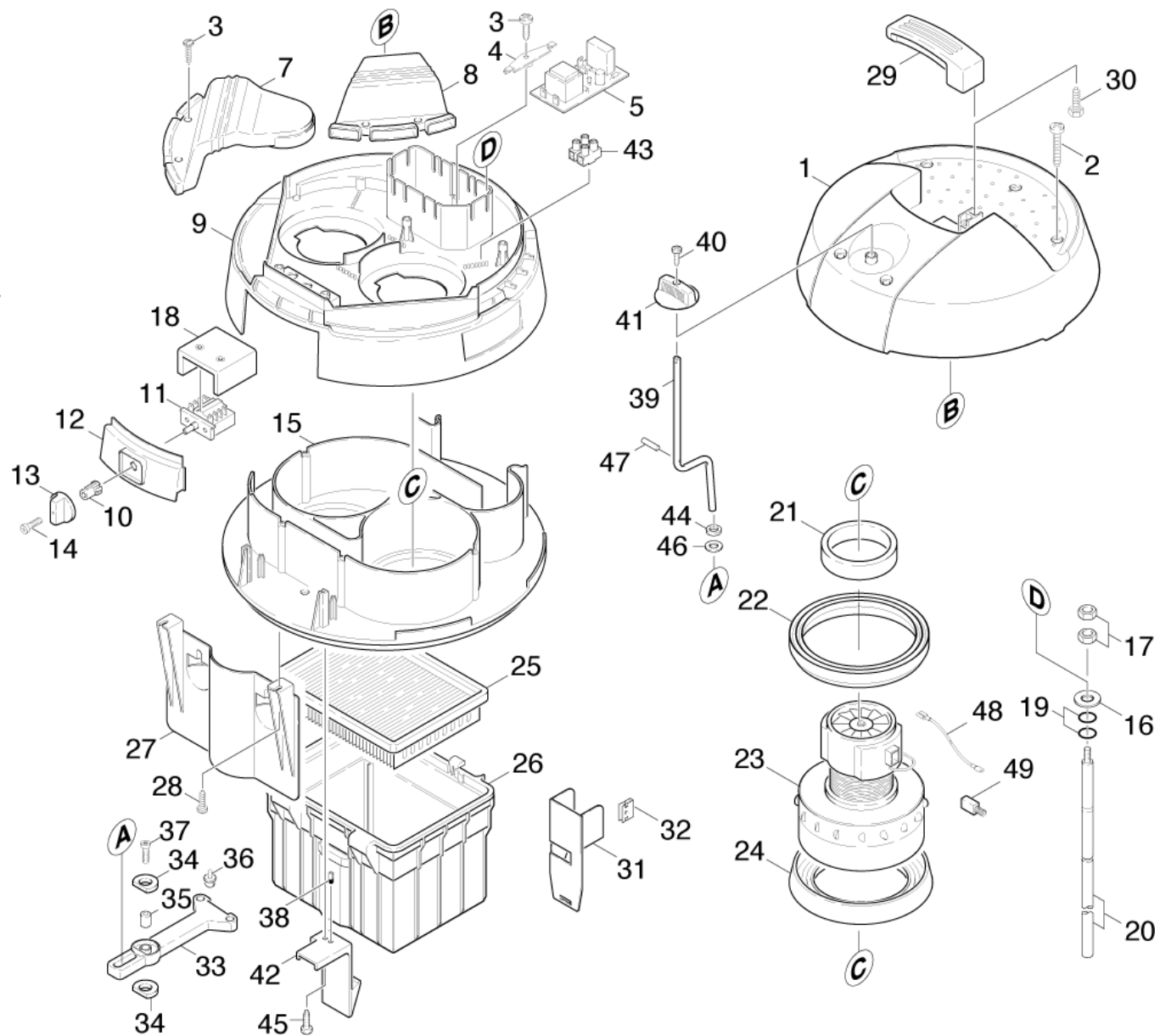


## 20 Housing internal parts

Overview technical documents/Professional/Vacuum cleaner/Wet-/dry vacuum cleaner/NT 702 I \*EU (1.036-901.0)/Spare parts list NT 702 I/20 Housing internal parts



## 20 Housing internal parts

Overview technical documents/Professional/Vacuum cleaner/Wet-/dry vacuum cleaner/NT 702 I \*EU (1.036-901.0)/Spare parts list NT 702 I/20 Housing internal parts

| Rez.daļas/nodil.pakļ.daļas      | Poz. | Materiāla Nr. | Nosaukums                         | Daudzums | Pārdoš. vienība | no sēr. Nr.. | līdz sēr. Nr. | Daž. informācija |
|---------------------------------|------|---------------|-----------------------------------|----------|-----------------|--------------|---------------|------------------|
|                                 | 1    | 5.031-638.0   | Cover external                    | 1.000    | ST              | 0000000000   | 0000000000    |                  |
| Pozīcijas teksts: / 1.036-901.0 |      |               |                                   |          |                 |              |               |                  |
|                                 | 1    | 5.032-372.0   | Cover external *VEX               | 1.000    | ST              | 0000000000   | 0000000000    |                  |
| Pozīcijas teksts: / 1.036-902.0 |      |               |                                   |          |                 |              |               |                  |
|                                 | 2    | 6.903-395.0   | Skrūve 5,0x28                     | 13.000   | ST              | 0000000000   | 0000000000    |                  |
|                                 | 3    | 6.303-195.0   | Oval head screw 3,5X16            | 7.000    | ST              | 0000000000   | 0000000000    |                  |
|                                 | 4    | 5.031-002.0   | Holder                            | 2.000    | ST              | 0000000000   | 0000000000    |                  |
|                                 | 5    | 6.682-281.0   | Electronics                       | 1.000    | ST              | 0000000000   | 0000000000    |                  |
| Pozīcijas teksts: / 1.036-901.0 |      |               |                                   |          |                 |              |               |                  |
|                                 | 5    | 6.682-300.0   | Electronics                       | 1.000    | ST              | 0000000000   | 0000000000    |                  |
| Pozīcijas teksts: / 1.036-902.0 |      |               |                                   |          |                 |              |               |                  |
|                                 | 7    | 5.692-028.0   | Connection piece aspiration left  | 1.000    | ST              | 0000000000   | 0000000000    |                  |
|                                 | 8    | 5.692-029.0   | Connection piece aspiration right | 1.000    | ST              | 0000000000   | 0000000000    |                  |
|                                 | 9    | 5.031-135.0   | Cover inside                      | 1.000    | ST              | 0000000000   | 0000000000    |                  |
| Pozīcijas teksts: / 1.036-901.0 |      |               |                                   |          |                 |              |               |                  |
|                                 | 9    | 5.031-171.0   | Cover inside                      | 1.000    | ST              | 0000000000   | 0000000000    |                  |
| Pozīcijas teksts: / 1.036-902.0 |      |               |                                   |          |                 |              |               |                  |
|                                 | 10   | 6.631-768.0   | Roktura spīle                     | 1.000    | ST              | 0000000000   | 0000000000    |                  |
|                                 | 11   | 6.631-804.0   | Pagriežamais slēdzis              | 1.000    | ST              | 0000000000   | 0000000000    |                  |
|                                 | 12   | 5.031-089.0   | Screen front                      | 1.000    | ST              | 0000000000   | 0000000000    |                  |
|                                 | 13   | 5.321-435.0   | Handhold                          | 1.000    | ST              | 0000000000   | 0000000000    |                  |
|                                 | 14   | 7.306-050.0   | Screw M2,5x10 -8,8-R2R (In6Rd)    | 1.000    | ST              | 0000000000   | 0000000000    |                  |
|                                 | 15   |               | Stockpiling discontinued          | 1.000    | ST              | 0000000000   | 0000000000    |                  |
|                                 | 16   | 7.312-001.0   | Washer 4 -200HV-A3E ISO 7089      | 2.000    | ST              | 0000000000   | 0000000000    |                  |
|                                 | 17   | 7.311-424.0   | Hexagon nut M4 -8-A2E ISO 7040    | 2.000    | ST              | 0000000000   | 0000000000    |                  |

## 20 Housing internal parts

Overview technical documents/Professional/Vacuum cleaner/Wet-/dry vacuum cleaner/NT 702 I \*EU (1.036-901.0)/Spare parts list NT 702 I/20 Housing internal parts

| Rez.daļas/nodil.pakļ.daļas      | Poz. | Materiāla Nr. | Nosaukums                         | Daudzums | Pārdoš. vienība | no sēr. Nr.. | līdz sēr. Nr. | Daž. informācija |
|---------------------------------|------|---------------|-----------------------------------|----------|-----------------|--------------|---------------|------------------|
|                                 | 18   |               | Stockpiling discontinued          | 1.000    | ST              | 0000000000   | 0000000000    |                  |
|                                 | 19   | 6.362-401.0   | Gredzenblīve 3,1 X 1,6            | 2.000    | ST              | 0000000000   | 0000000000    |                  |
|                                 | 20   | 5.107-144.0   | Probe                             | 2.000    | ST              | 0000000000   | 0000000000    |                  |
|                                 | 21   | 5.363-409.0   | Joint ring                        | 2.000    | ST              | 0000000000   | 0000000000    |                  |
|                                 | 22   | 5.363-408.0   | Seal                              | 2.000    | ST              | 0000000000   | 0000000000    |                  |
|                                 | 23   | 6.490-113.0   | Vakuuma turbīna -230V             | 2.000    | ST              | 0000000000   | 0000000000    |                  |
| Pozīcijas teksts: / 1.036-901.0 |      |               |                                   |          |                 |              |               |                  |
| X                               | 23   | 6.490-117.0   | Vacuum motor                      | 1.000    | ST              | 0000000000   | 0000000000    |                  |
| Pozīcijas teksts: / 1.036-902.0 |      |               |                                   |          |                 |              |               |                  |
|                                 | 24   | 5.363-331.0   | Seal bottom                       | 2.000    | ST              | 0000000000   | 0000000000    |                  |
| X-X                             | 25   | 5.731-020.0   | Nomaināmais filtrējošais elements | 1.000    | ST              | 0000000000   | 0000000000    |                  |
| X-X                             | 25   | 5.731-583.0   | Filter cartridge                  | 1.000    | ST              | 0000000000   | 0000000000    | (PES)            |
|                                 | 26   | 5.050-030.0   | Rāmis                             | 1.000    | ST              | 0000000000   | 0000000000    |                  |
|                                 | 27   | 5.003-102.0   | Baffle plate                      | 1.000    | ST              | 0000000000   | 0000000000    |                  |
|                                 | 28   | 7.303-026.0   | Screw 4x16 -A2-70 (In6Rd)         | 2.000    | ST              | 0000000000   | 0000000000    |                  |
|                                 | 29   | 5.030-998.0   | Hand grip                         | 1.000    | ST              | 0000000000   | 0000000000    |                  |
|                                 | 30   | 7.306-194.0   | Screw                             | 2.000    | ST              | 0000000000   | 0000000000    |                  |
|                                 | 31   | 5.031-116.0   | Extension                         | 2.000    | ST              | 0000000000   | 0000000000    |                  |
|                                 | 32   | 6.373-593.0   | U-Fastening                       | 2.000    | ST              | 0000000000   | 0000000000    |                  |
|                                 | 33   | 5.481-068.0   | Lever                             | 1.000    | ST              | 0000000000   | 0000000000    |                  |
|                                 | 34   | 5.364-141.0   | Flat gasket                       | 2.000    | ST              | 0000000000   | 0000000000    |                  |
|                                 | 35   | 5.112-308.0   | Bush                              | 1.000    | ST              | 0000000000   | 0000000000    |                  |
|                                 | 36   | 5.132-056.0   | Plug                              | 2.000    | ST              | 0000000000   | 0000000000    |                  |
|                                 | 37   | 7.303-110.0   | Screw 5x35 -10.9-R2R (In6Rd)      | 1.000    | ST              | 0000000000   | 0000000000    |                  |
|                                 | 38   | 5.314-094.0   | Pin                               | 2.000    | ST              | 0000000000   | 0000000000    |                  |

## 20 Housing internal parts

Overview technical documents/Professional/Vacuum cleaner/Wet-dry vacuum cleaner/NT 702 I \*EU (1.036-901.0)/Spare parts list NT 702 I/20 Housing internal parts

| Rez.daļas/nodil.pakļ.daļas | Poz. | Materiāla Nr. | Nosaukums                                | Daudzums | Pārdoš. vienība | no sēr. Nr.. | līdz sēr. Nr. | Daž. informācija |
|----------------------------|------|---------------|--|----------|-----------------|--------------|---------------|------------------|
|                            | 39   | 5.107-158.0   | Bar                                      | 1.000    | ST              | 0000000000   | 0000000000    |                  |
|                            | 40   | 7.306-071.0   | screw                                    | 1.000    | ST              | 0000000000   | 0000000000    |                  |
|                            | 41   | 5.321-483.0   | Handhold                                 | 1.000    | ST              | 0000000000   | 0000000000    |                  |
|                            | 42   | 5.037-079.0   | Hook                                     | 2.000    | ST              | 0000000000   | 0000000000    |                  |
|                            | 43   | 6.643-121.0   | Strip terminal two-pole                  | 1.000    | ZST             | 0000000000   | 0000000000    |                  |
|                            | 44   | 6.362-595.0   | Seal                                     | 1.000    | ST              | 0000000000   | 0000000000    |                  |
|                            | 45   | 6.303-055.0   | Oval head screw steel                    | 2.000    | ST              | 0000000000   | 0000000000    |                  |
|                            | 46   | 7.312-029.0   | Washer 10-CuZn-E2E ISO 7090              | 1.000    | ST              | 0000000000   | 0000000000    |                  |
|                            | 47   | 7.314-839.0   | Grooved pin 4x16 -CuZn ISO 8742          | 1.000    | ST              | 0000000000   | 0000000000    |                  |
|                            | 48   | 6.647-924.0   | Cable set                                | 2.000    | ST              | 0000000000   | 0000000000    |                  |
|                            | 49   | 6.610-204.0   | Ogles birstu komplekts - tikai nomainīai | 1.000    | ST              | 0000000000   | 0000000000    |                  |