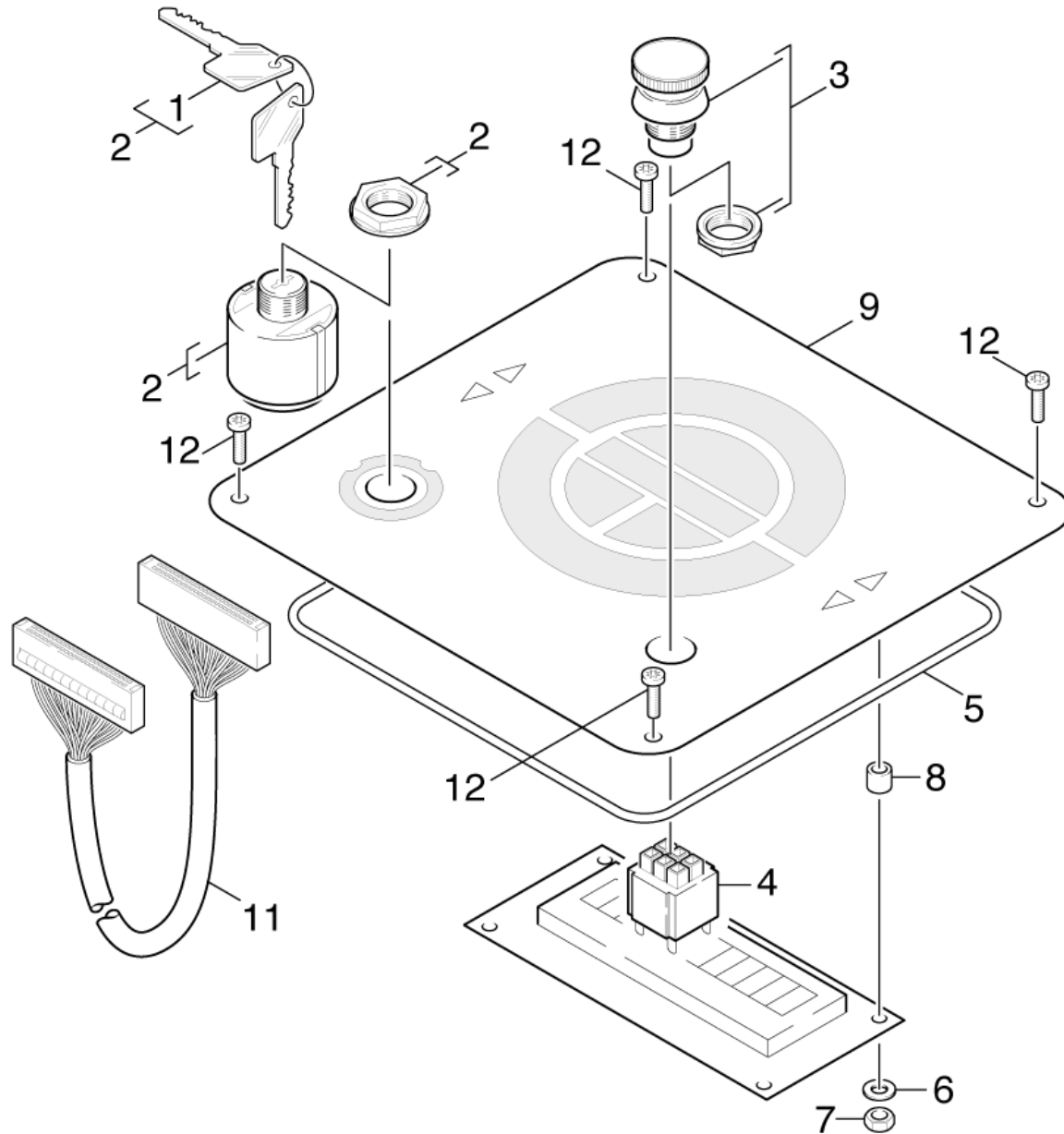


52 Control console

Professional \ Floor cleaner \ Walk behind \ BR 55/60 W ECO *EU \ Spare parts list BR/BD 55/60W \ Operating element \ Control console



52 Control console

Professional \ Floor cleaner \ Walk behind \ BR 55/60 W ECO *EU \ Spare parts list BR/BD 55/60W \ Operating element \ Control console



POS	Article no.	Description	Quantity	Unit	Foot note text
11	6.649-019.0	Cable control panel only for replacement	1.000	ST	
9	4.841-131.0	Control panel complete BR/BD 55/60 W	1.000	ST	
7	7.311-000.0	Hexagon nut M3 -6-A2E ISO 4032	6.000	ST	
1	6.600-210.0	Key only for replacement	1.000	ST	
2	6.630-106.0	Key switch	1.000	ST	
3	6.600-344.0	Pushbutton emergency stop	1.000	ST	
12	6.303-125.0	Screw 5x20-Sonder In6Rd+Spitze	4.000	ST	
5	6.273-196.0	Seal string cellular rubber	1.000	M	ALS METERWARE BESTELLEN
8	7.777-999.0	Stockpiling discontinued	6.000	ST	
4	6.600-114.0	Switch	1.000	ST	
6	7.312-011.0	Washer 3-200HV-A2E ISO 7092	6.000	ST	