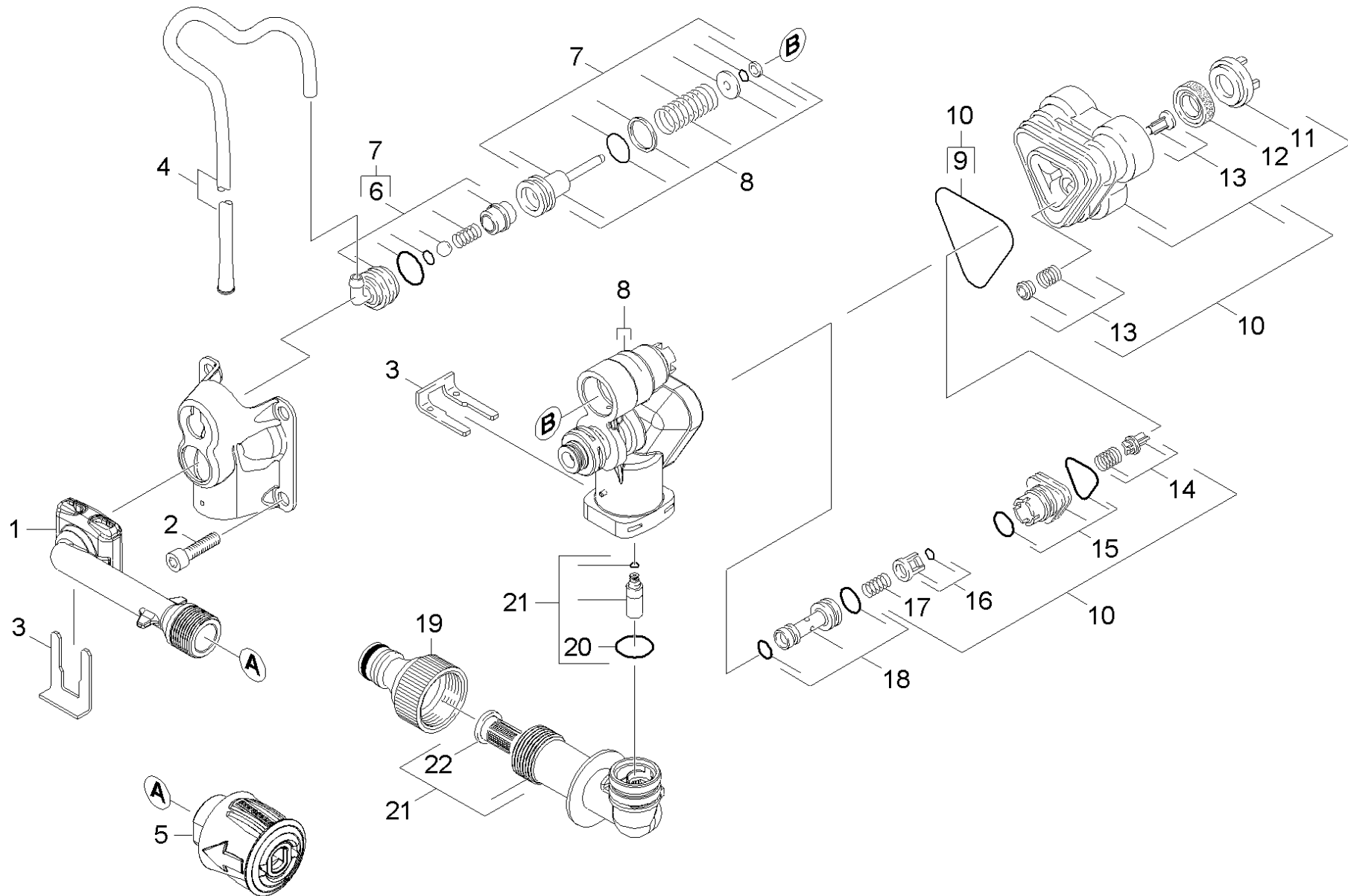


21 Housing

Home and Garden \ High pressure cleaner cold water \ Electric motor \ K 3 \ K 3 Car & Home *EU \ Spare parts list K3 Car & Home*EU \ Pump set \ Housing



21 Housing

Home and Garden \ High pressure cleaner cold water \ Electric motor \ K 3 \ K 3 Car & Home *EU \ Spare parts list K3 Car & Home*EU \ Pump set \ Housing

KÄRCHER

POS	Article no.	Description	Quantity	Unit	Foot note text
6	9.001-741.0	Aspiration cleaning agents for replaceme	1.000	ST	
16	9.755-276.0	Back flow valve assembly spare part	1.000	ST	
17	9.755-277.0	Back flow valve spring spare part	1.000	ST	
15	9.755-275.0	Connecting bushing assembly spare part	1.000	ST	
19	6.465-031.0	Connection 3/4	1.000	ST	
1	9.755-236.0	Connection delivery side spare part K2 M	1.000	ST	
2	7.306-151.0	Cylinder head screw M8x65 -8.8-A2E ISO4	4.000	ST	
4	9.011-911.0	Filter cleaning agents W107/207	1.000	ST	
22	9.755-280.0	Fine filter spare part	1.000	ST	
9	9.081-422.0	Form seal	1.000	ST	
12	6.362-875.0	Grooved ring	3.000	ST	
10	9.755-339.0	H.P. head complete Spare Part	1.000	ST	
5	4.470-041.0	High pressure quick-fitting pipe union A	1.000	ST	
13	9.755-273.0	Inlet valve spring with washer spare p	1.000	ST	SET BESTEHEND AUS 3X VENTIL
8	9.755-286.0	Manifold with pressostat spring assem.	1.000	ST	
3	9.039-148.0	Metal fork	2.000	ST	
20	9.755-279.0	O-Ring seal d.20,5x2,2 NBR 7 spare part	1.000	ST	
14	9.755-274.0	Outlet valve with spring spare part	1.000	ST	SET BESTEHEND AUS 3X VENTIL
7	9.755-285.0	Pressostat piston and detergent fitting	1.000	ST	
21	9.755-386.0	Suction connection complete replacement	1.000	ST	
18	9.755-278.0	Venturi nozzle d1,6 assem.	1.000	ST	
11	9.755-271.0	Water sealing spacer spare part	3.000	ST	